



US00D806517S

(12) **United States Design Patent**
Kessler et al.

(10) **Patent No.:** **US D806,517 S**
(45) **Date of Patent:** **** Jan. 2, 2018**

- (54) **DEADBOLT FOR DOOR ASSEMBLY**
- (71) Applicant: **Otto LLC**, San Mateo, CA (US)
- (72) Inventors: **Patrick Kessler**, San Francisco, CA (US); **Robert Sean Murphy**, Sunnyvale, CA (US); **Jordan Fountain**, San Jose, CA (US); **Joshua Funamura**, San Francisco, CA (US)
- (73) Assignee: **Otto LLC**, San Mateo, CA (US)
- (**) Term: **15 Years**
- (21) Appl. No.: **29/584,871**
- (22) Filed: **Nov. 17, 2016**
- (51) **LOC (11) Cl.** **08-07**
- (52) **U.S. Cl.**
USPC **D8/331; D8/343**
- (58) **Field of Classification Search**
USPC D8/330, 331, 334, 337, 300, 302, 350, D8/341, 343, 348, 352; 70/14, 20–22, 70/57, 284–286, 314, 229, 230, DIG. 44, 70/DIG. 38, DIG. 39; 292/2, 327, 346
CPC ... E05B 9/00; E05B 9/06; E05B 29/00; E05B 37/00; E05B 59/00; E05N 13/00; E05C 1/00
See application file for complete search history.

- 5,316,353 A * 5/1994 McKernan E05B 15/1614 292/337
- D362,170 S * 9/1995 Hollenbeck D8/331
- 5,613,715 A * 3/1997 Kim E05B 63/06 292/1.5
- 6,318,769 B1 * 11/2001 Kang E05B 63/06 292/1.5
- D709,754 S * 7/2014 Lylyk D8/331
- D749,932 S * 2/2016 Hollman D8/330
- 9,523,224 B2 * 12/2016 Daniels E05C 1/10

(Continued)

Primary Examiner — Prabhakar Deshmukh
(74) *Attorney, Agent, or Firm* — Nelson Mullins Riley & Scarborough LLP; Anthony A. Laurentano

(57) **CLAIM**

The ornamental design for a deadbolt for door assembly, as shown and described.

DESCRIPTION

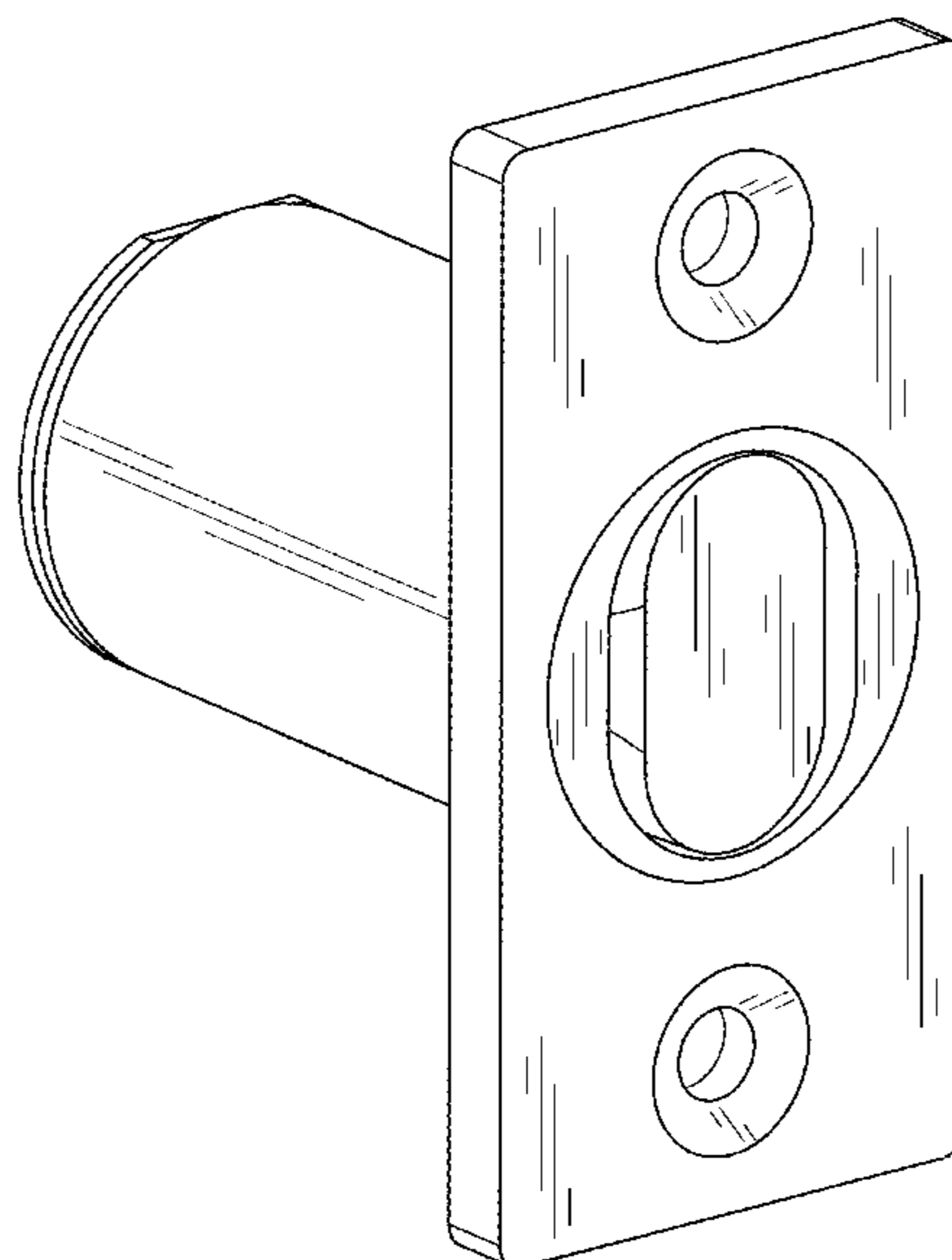
FIG. 1 is a front perspective view of the deadbolt for door assembly showing our new design with a bolt element of the deadbolt disposed in a retracted position;
 FIG. 2 is a front elevational view of FIG. 1 of the new design;
 FIG. 3 is a rear elevational view of FIG. 1 of the new design;
 FIG. 4 is a top side plan view of FIG. 1 of the new design;
 FIG. 5 is a left side elevational view of FIG. 1 of the new design; and,
 FIG. 6 is a front perspective view of the deadbolt for door assembly showing the bolt element of the deadbolt disposed in a deployed position.
 The top side plan view is a mirror image of the bottom side plan view, and the left side elevational view is a mirror image of the right side elevational view.
 The deadbolt for door assembly details shown in dashed lines are for illustrative purposes only and form no part of the claimed ornamental design.

1 Claim, 5 Drawing Sheets

(56) **References Cited**

U.S. PATENT DOCUMENTS

- 4,643,007 A * 2/1987 Fish E05B 63/0017 292/1.5
- 4,869,087 A * 9/1989 Day E05B 17/2084 292/346
- 4,876,866 A * 10/1989 Fleming E05B 3/065 292/336.5
- 4,902,057 A * 2/1990 Ching E05B 63/06 292/1



(56)

References Cited

U.S. PATENT DOCUMENTS

D781,680 S * 3/2017 Lylyk D8/331
D796,298 S * 9/2017 Lylyk D8/331

* cited by examiner

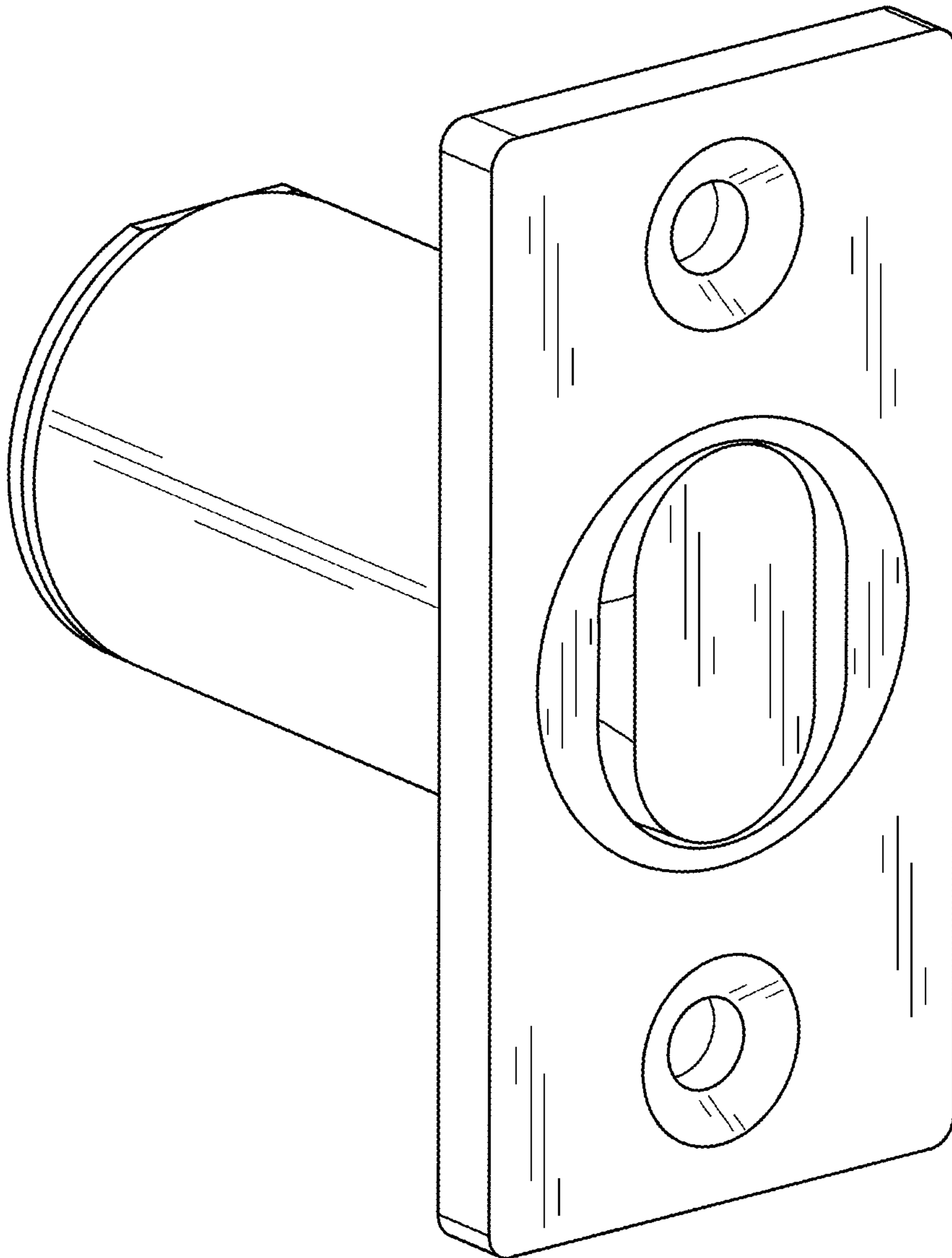


Fig. 1

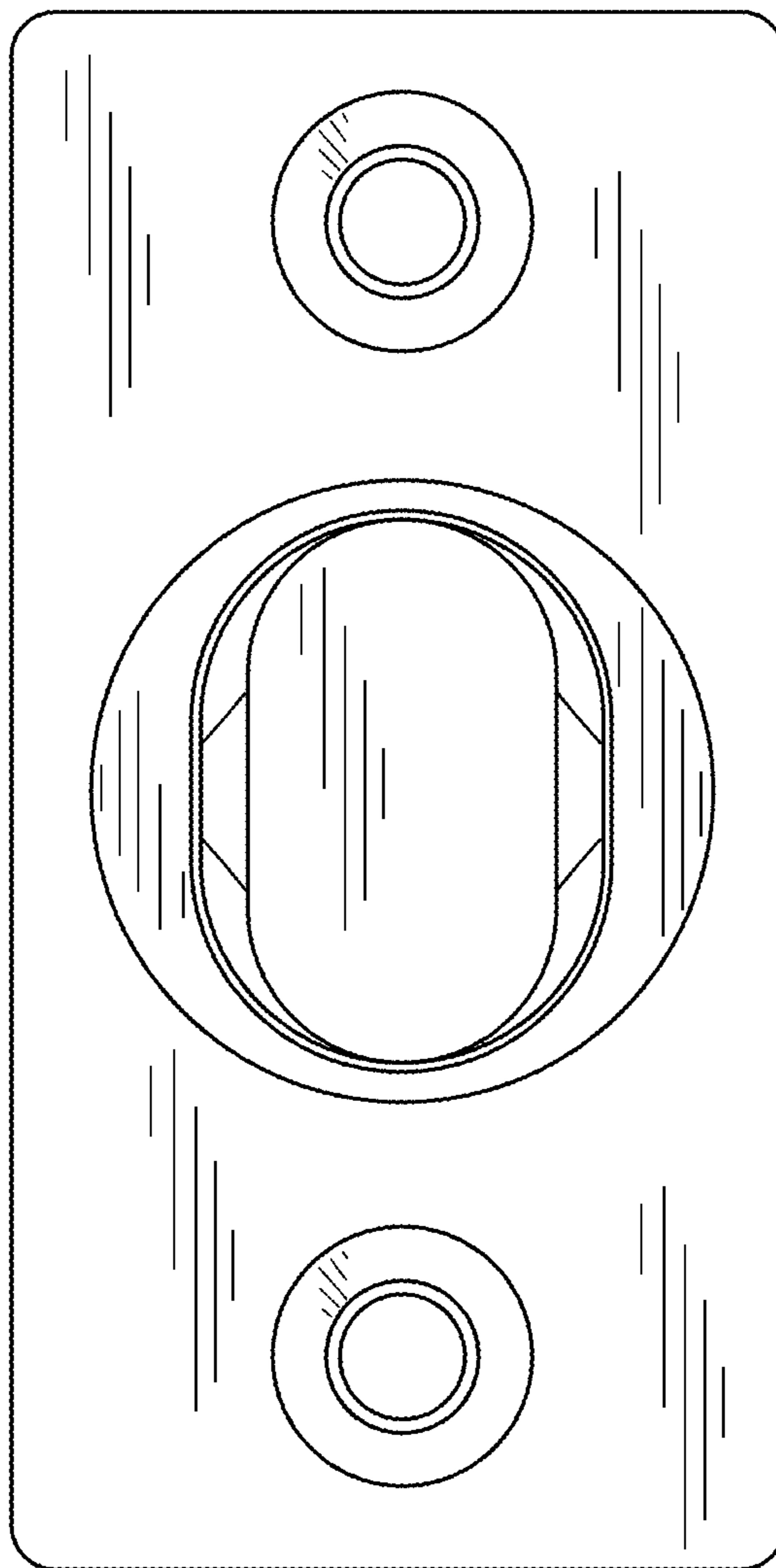


Fig. 2

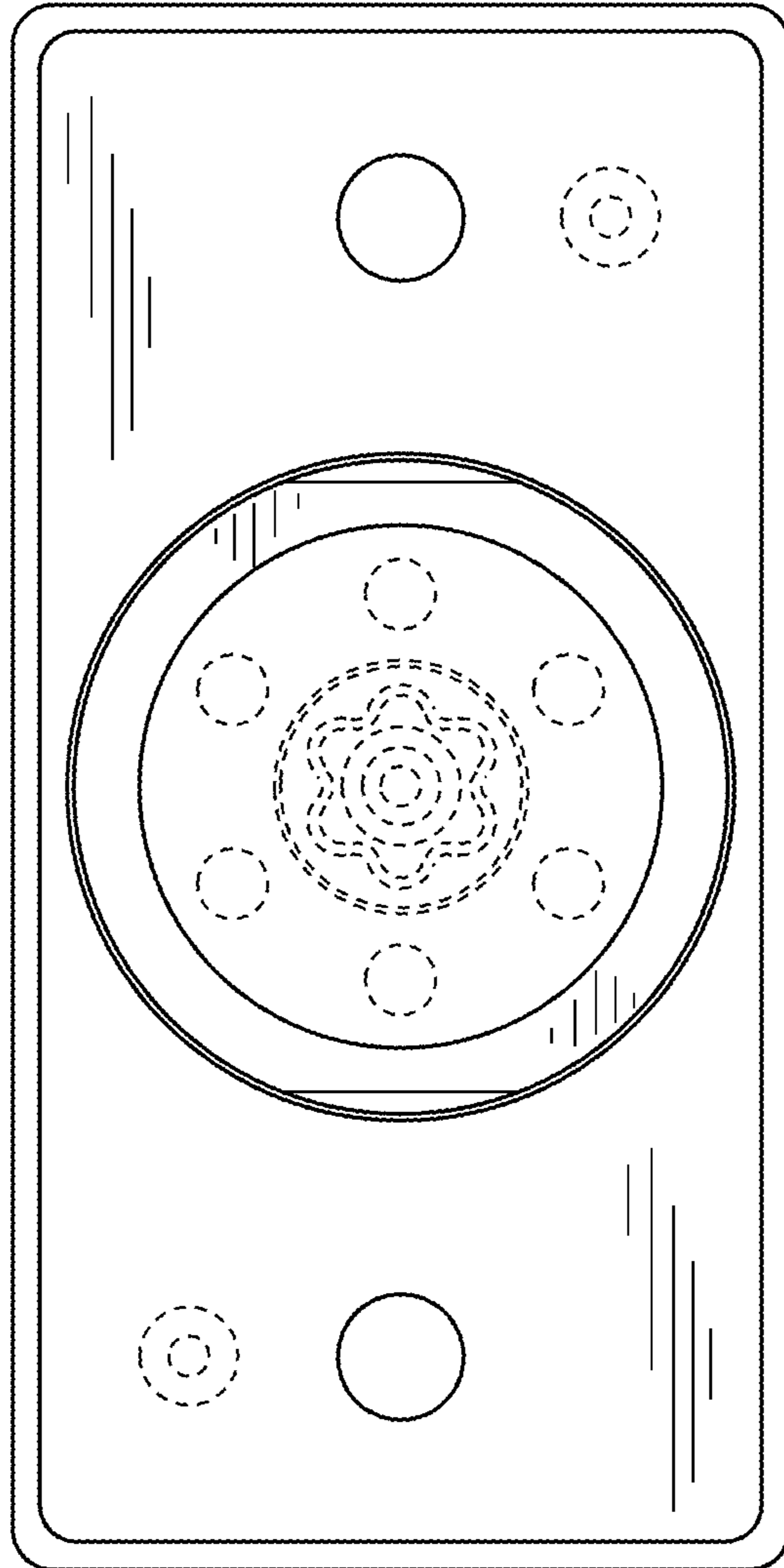


Fig. 3

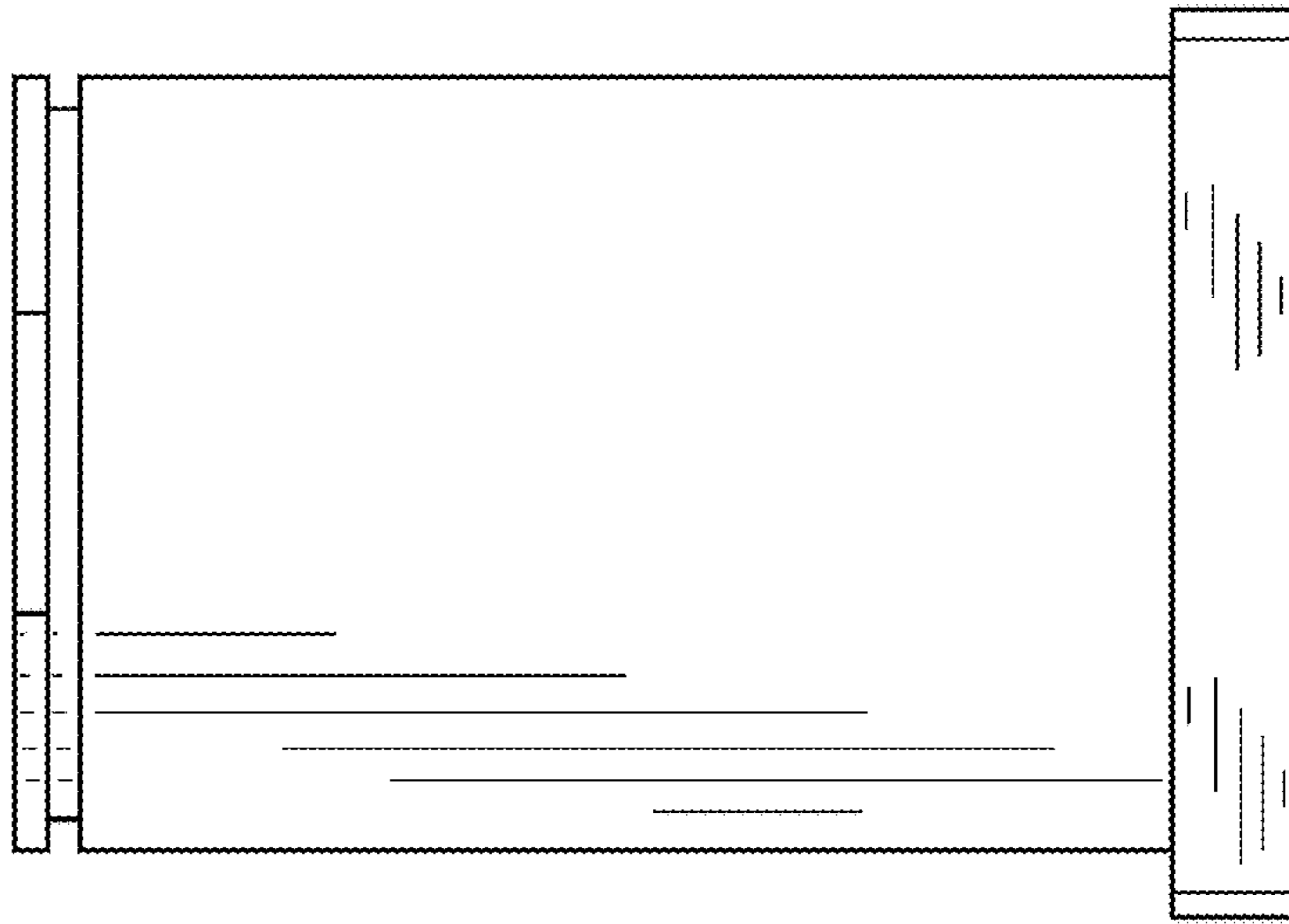


Fig. 4

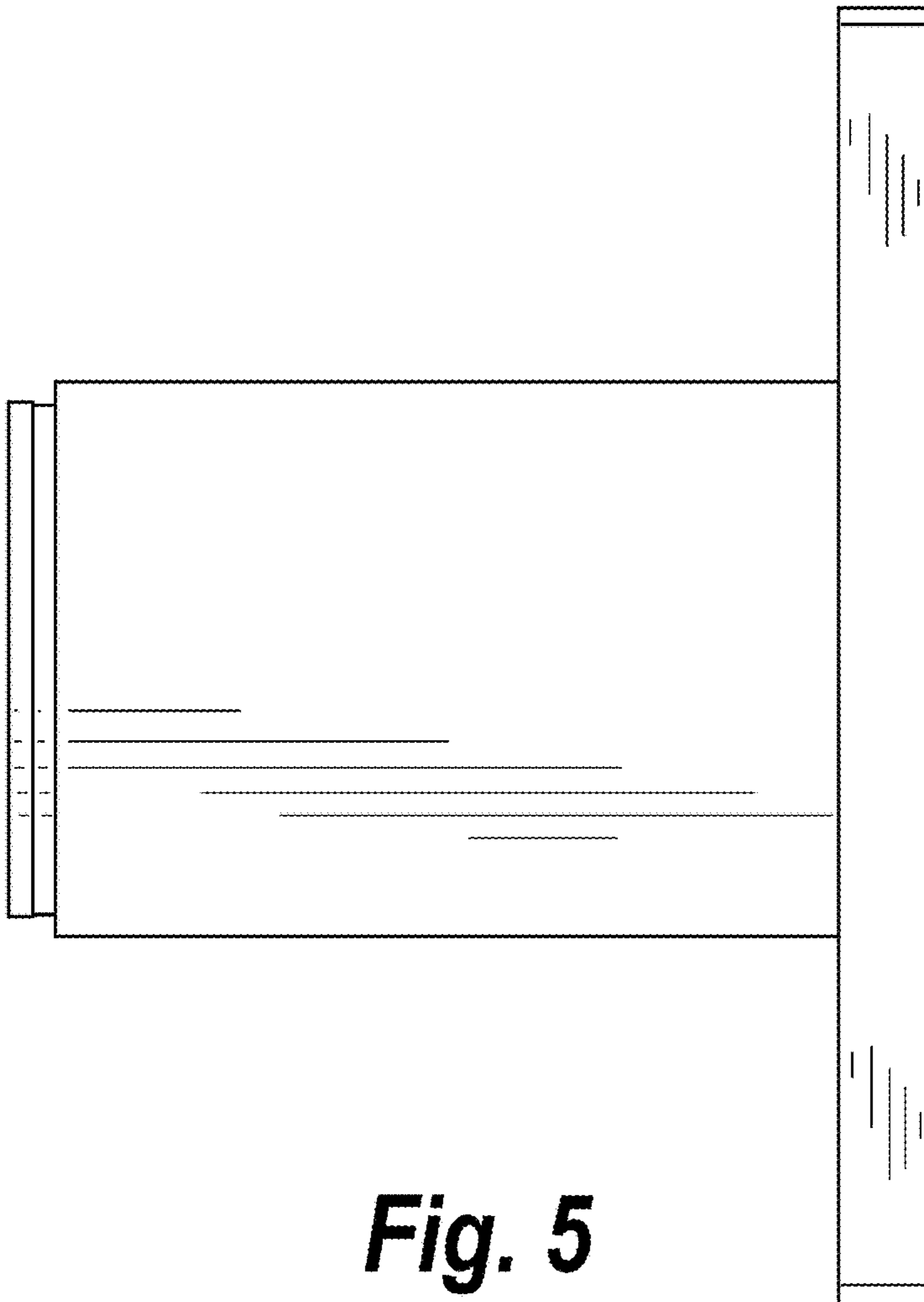


Fig. 5

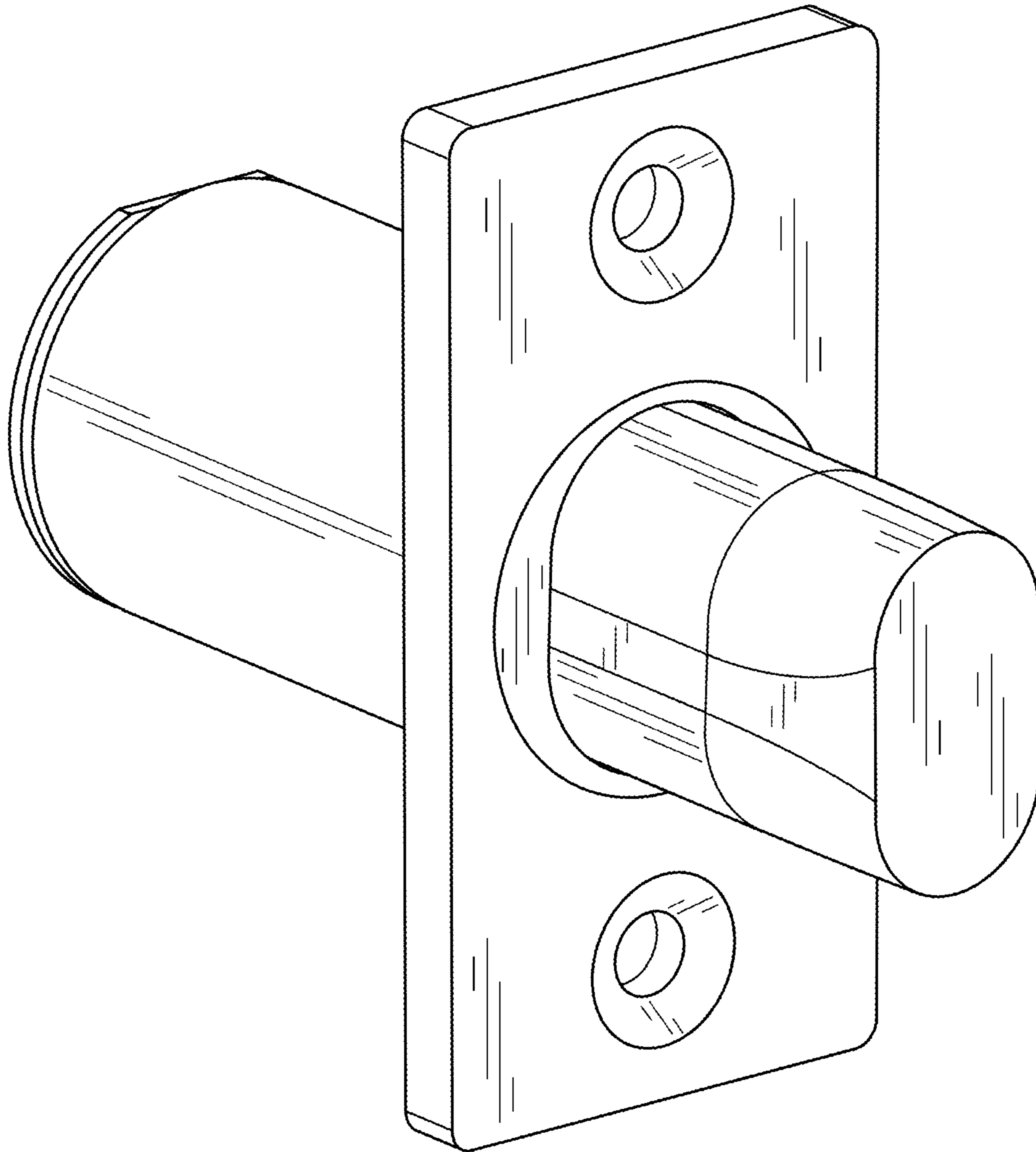


Fig. 6