

US00D806516S

(12) **United States Design Patent**
Alan

(10) **Patent No.:** **US D806,516 S**
(45) **Date of Patent:** **** Jan. 2, 2018**

(54) **LOCKING AND CLOSING DEVICE**

(71) Applicant: **EMKA Beschlagteile GmbH & Co. KG, Velbert (DE)**

(72) Inventor: **Turgay Alan, Remscheid (DE)**

(73) Assignee: **EMKA BESCHLAGTEILE GMBH & CO. KG, Velbert (DE)**

(**) Term: **15 Years**

(21) Appl. No.: **29/581,836**

(22) Filed: **Oct. 21, 2016**

(30) **Foreign Application Priority Data**

Apr. 22, 2016 (EM) 003081785-0001

(51) **LOC (11) Cl.** **08-07**

(52) **U.S. Cl.**
USPC **D8/331**

(58) **Field of Classification Search**
USPC D8/330, 331, 335, 339, 302, 343;
70/141, 208, 129, 14; 292/336.3, 169,
292/358, 359, 170, 175, 165, 224,
292/140-145, 240-242, DIG. 14, DIG. 30,
292/DIG. 31, DIG. 4, 205
CPC E05B 13/10; E05B 15/00; E05B 65/06;
E05C 3/04; E05C 1/04
See application file for complete search history.

(56) **References Cited**

U.S. PATENT DOCUMENTS

3,541,819 A * 11/1970 Kerr E05B 27/083
70/375
5,087,090 A * 2/1992 Humphrey E05B 63/0017
292/150

5,235,832 A * 8/1993 Lux E05B 9/086
70/368
D365,011 S * 12/1995 Myers D8/331
D435,781 S * 1/2001 Freck D8/338
D445,015 S * 7/2001 Weinerman D8/302
D469,680 S * 2/2003 Laabs D8/343
D482,596 S * 11/2003 Laabs D8/343
D551,941 S * 10/2007 Miao D8/336
D652,285 S * 1/2012 Wardi D8/331
8,272,240 B1 * 9/2012 Schilens E05C 3/042
292/336.3
D789,771 S * 6/2017 Tung D8/331

* cited by examiner

Primary Examiner — Prabhakar G Deshmukh
(74) *Attorney, Agent, or Firm* — Johnson, Marcou & Isaacs, LLC; Jennifer S. Stachniak

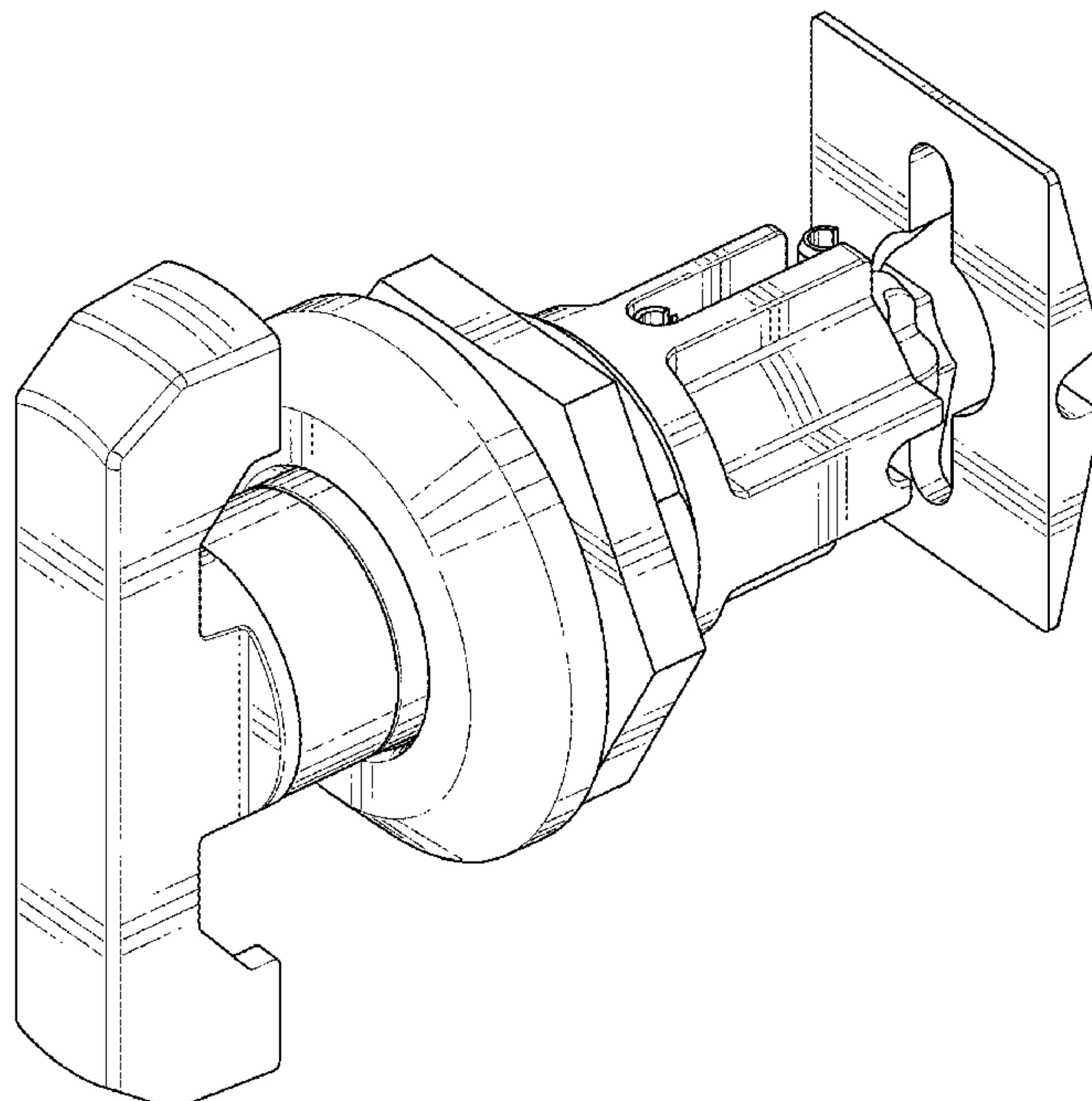
(57) **CLAIM**

The ornamental design for a locking and closing device, as shown and described.

DESCRIPTION

FIG. 1 is a top, front and right perspective view of a locking and closing device showing my new design, shown in an unlocked state;
FIG. 2 is a top, front and right perspective view thereof, shown in locked state and the handle shown in an alternate position;
FIG. 3 is a top plan view of FIG. 2;
FIG. 4 is a bottom plan view of FIG. 2;
FIG. 5 is a left side elevational view of FIG. 2;
FIG. 6 is a right side elevational view of FIG. 2;
FIG. 7 is a front elevational view of FIG. 2; and,
FIG. 8 is rear elevational view of FIG. 2.

1 Claim, 8 Drawing Sheets



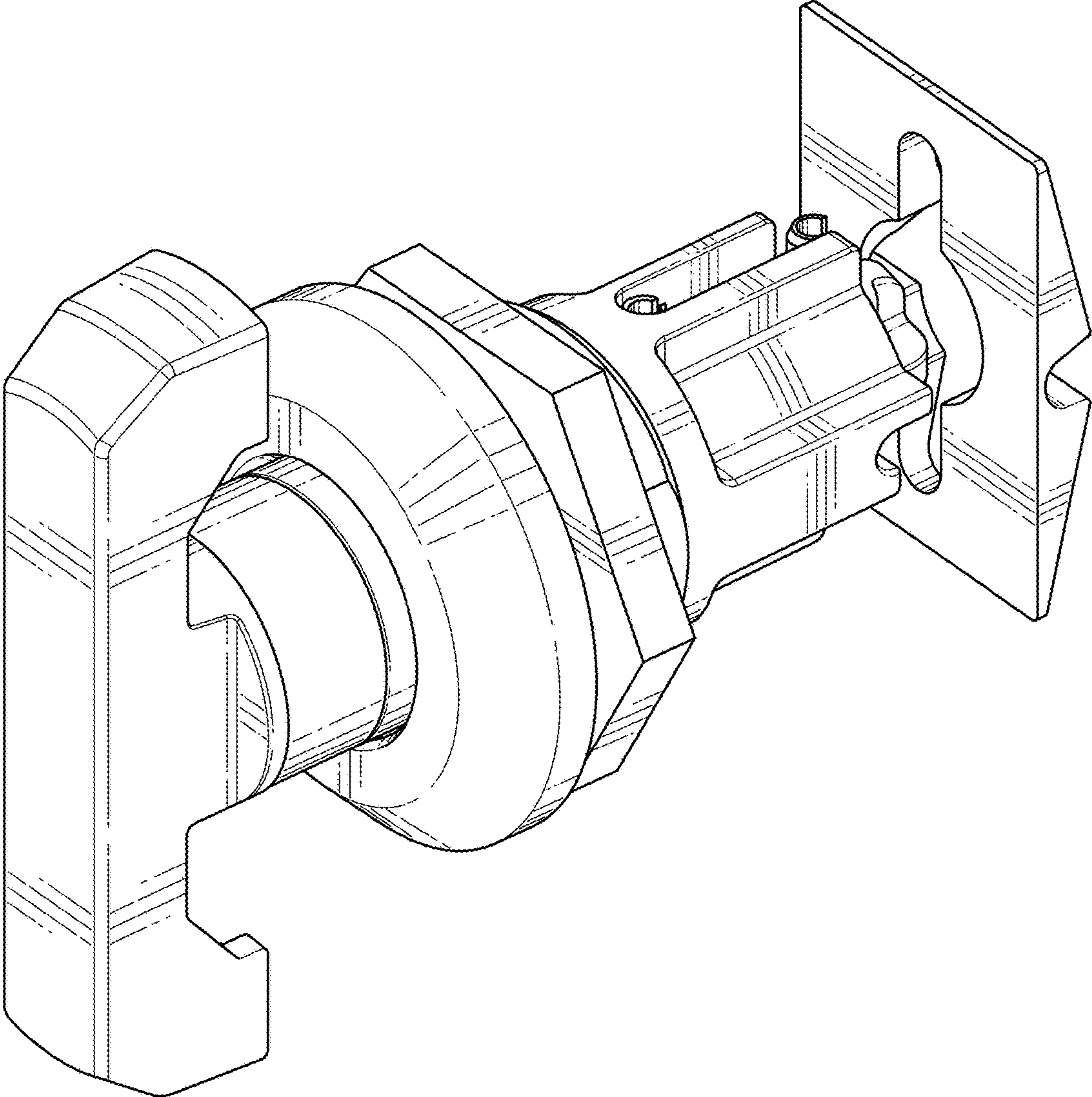


FIG. 1

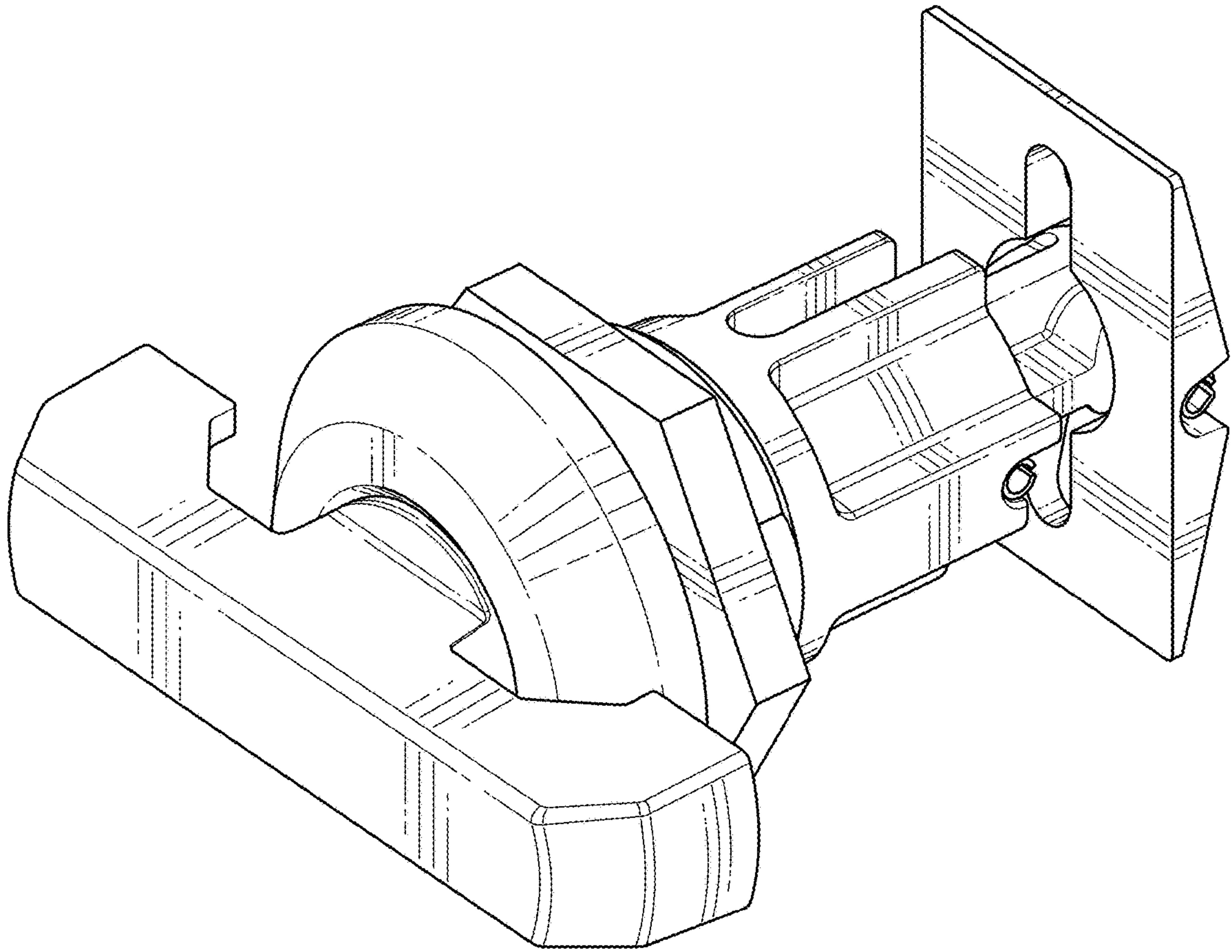


FIG. 2

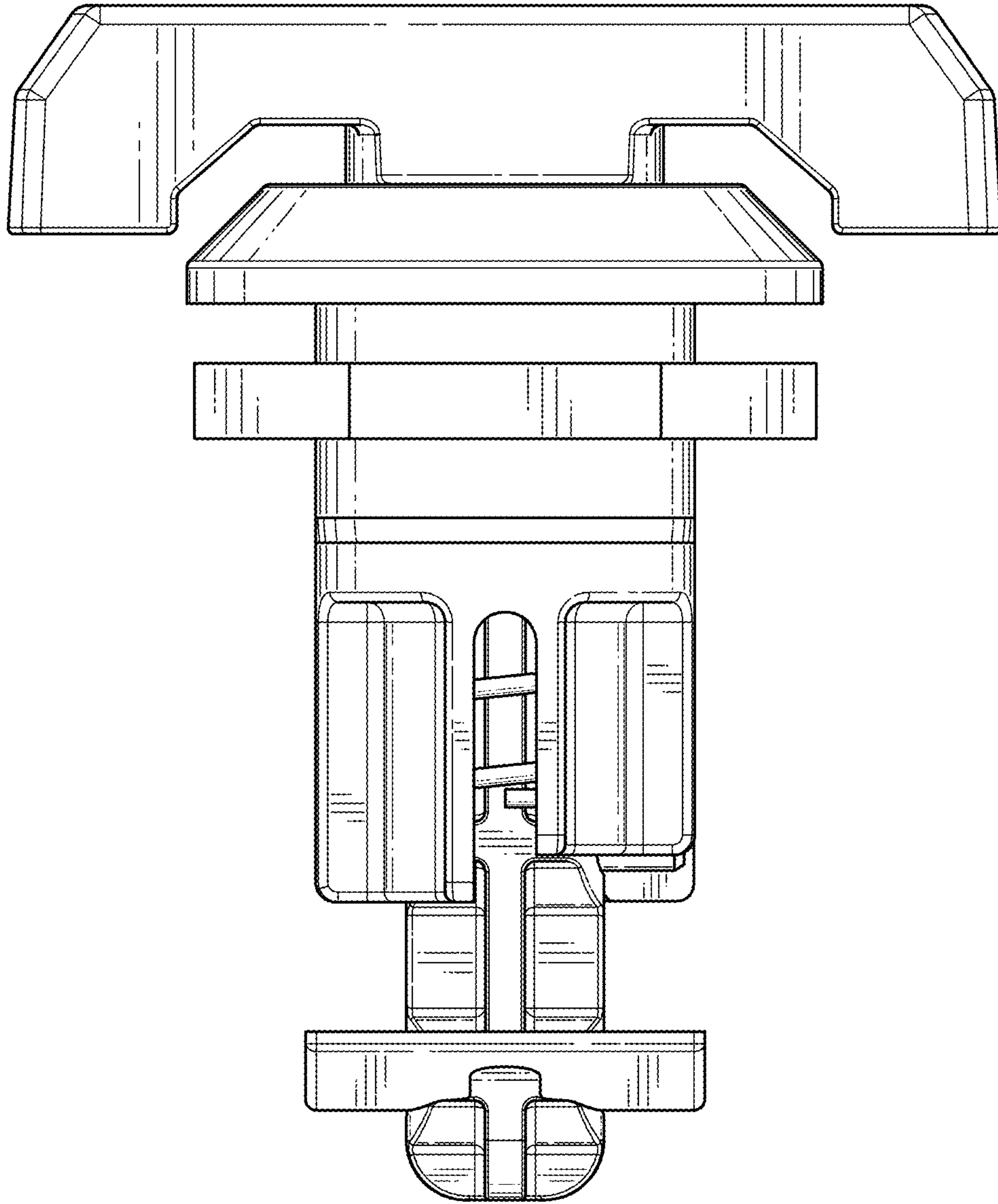


FIG. 3

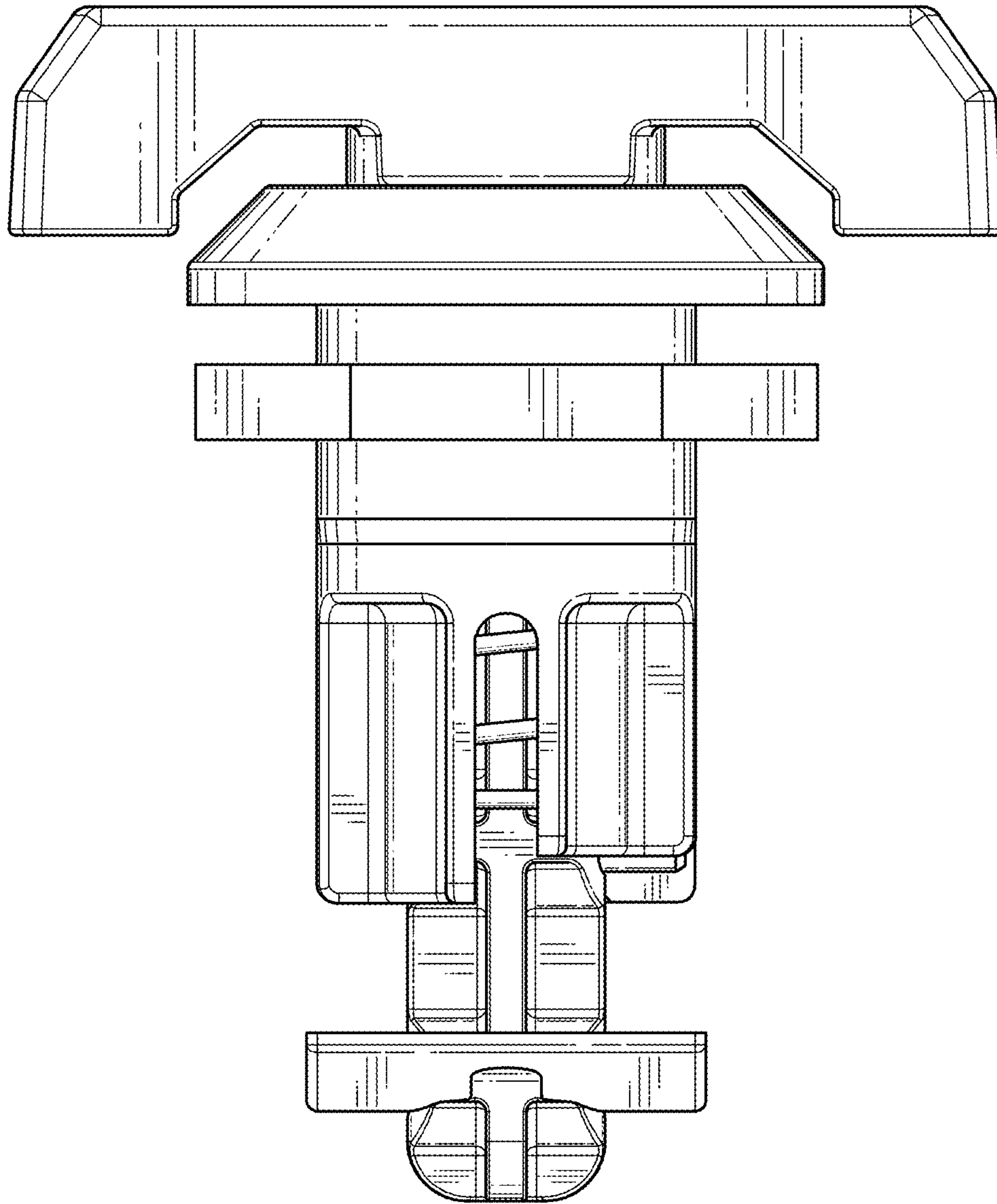


FIG. 4

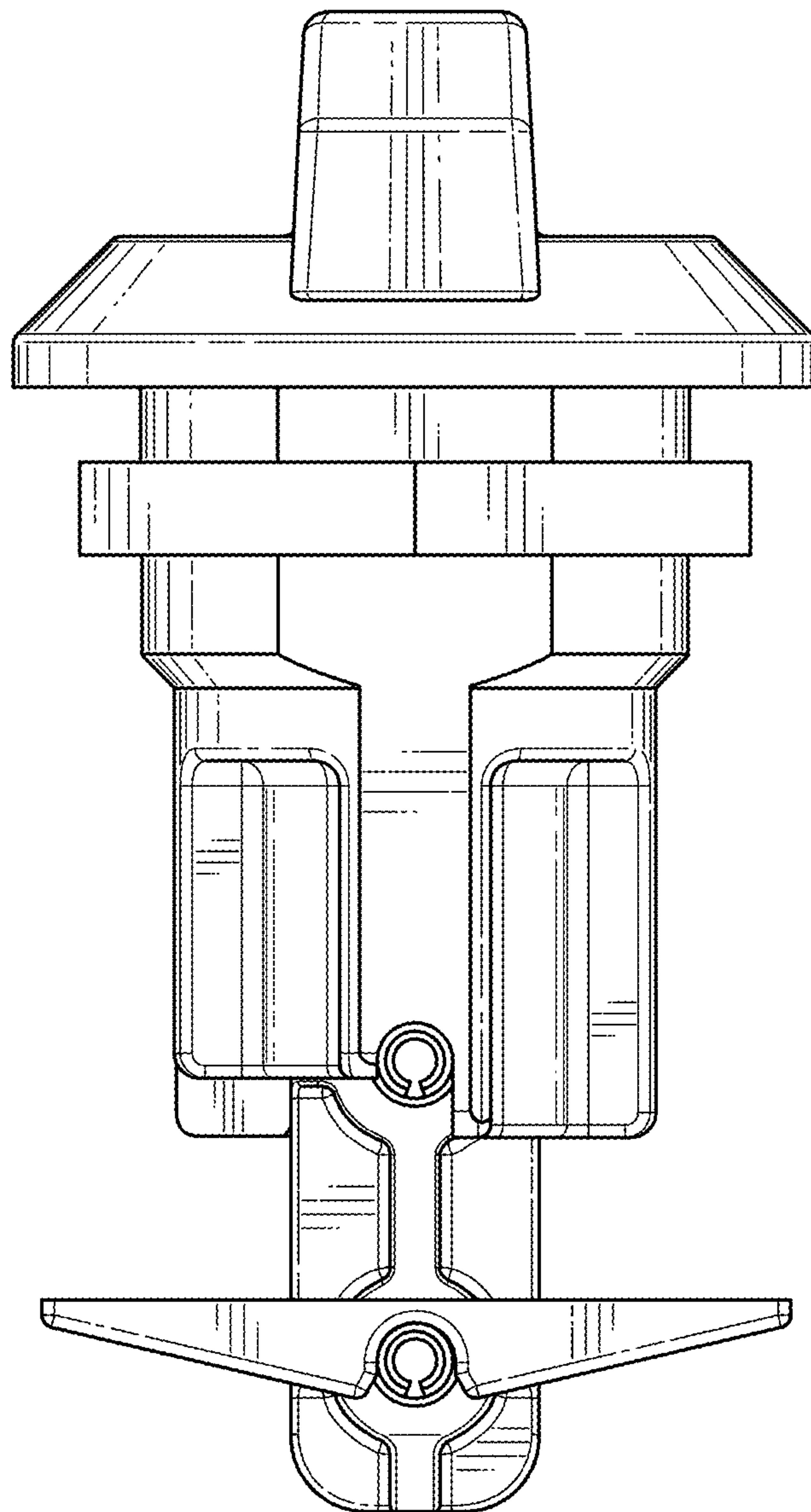


FIG. 5

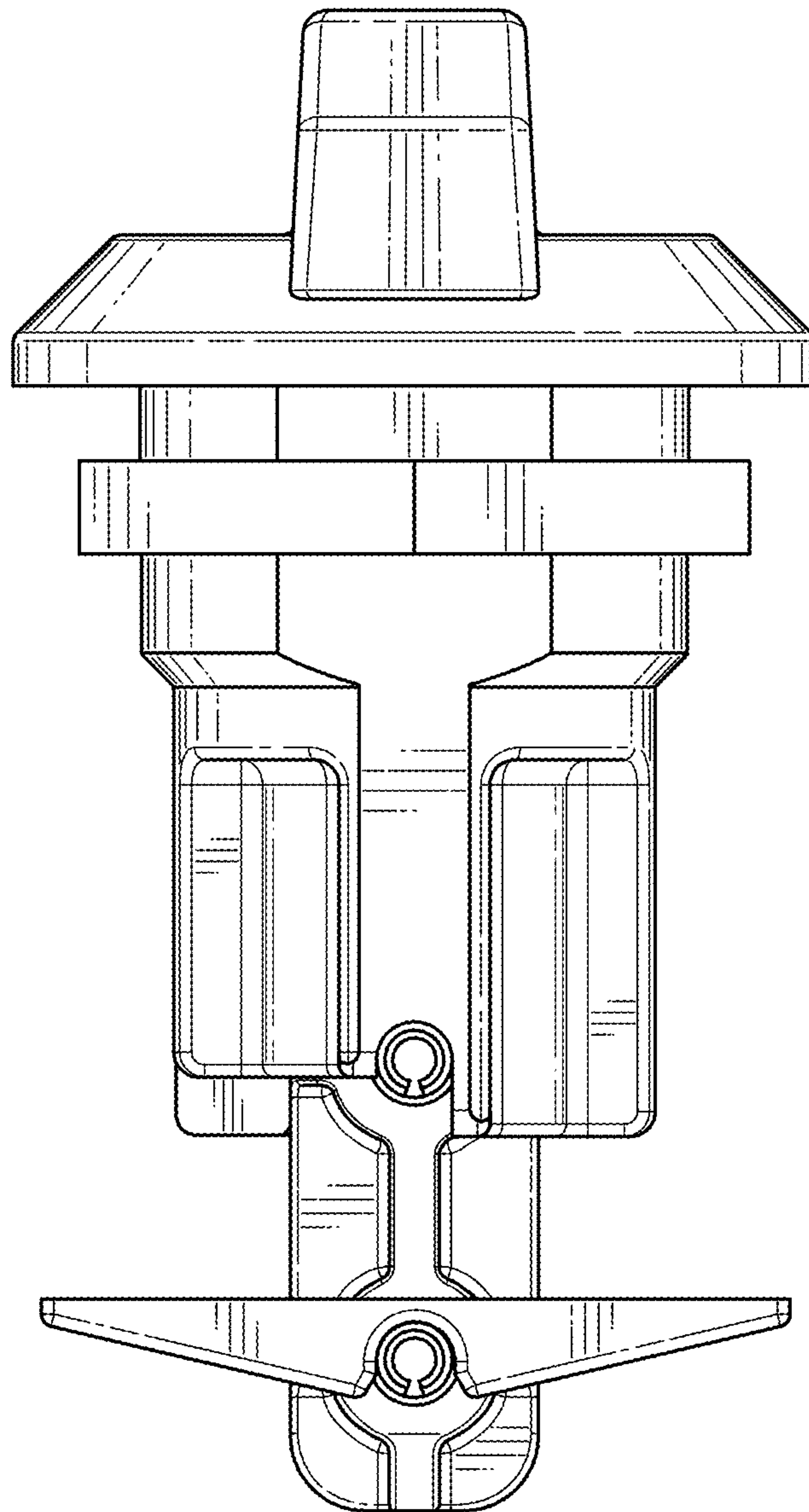


FIG. 6

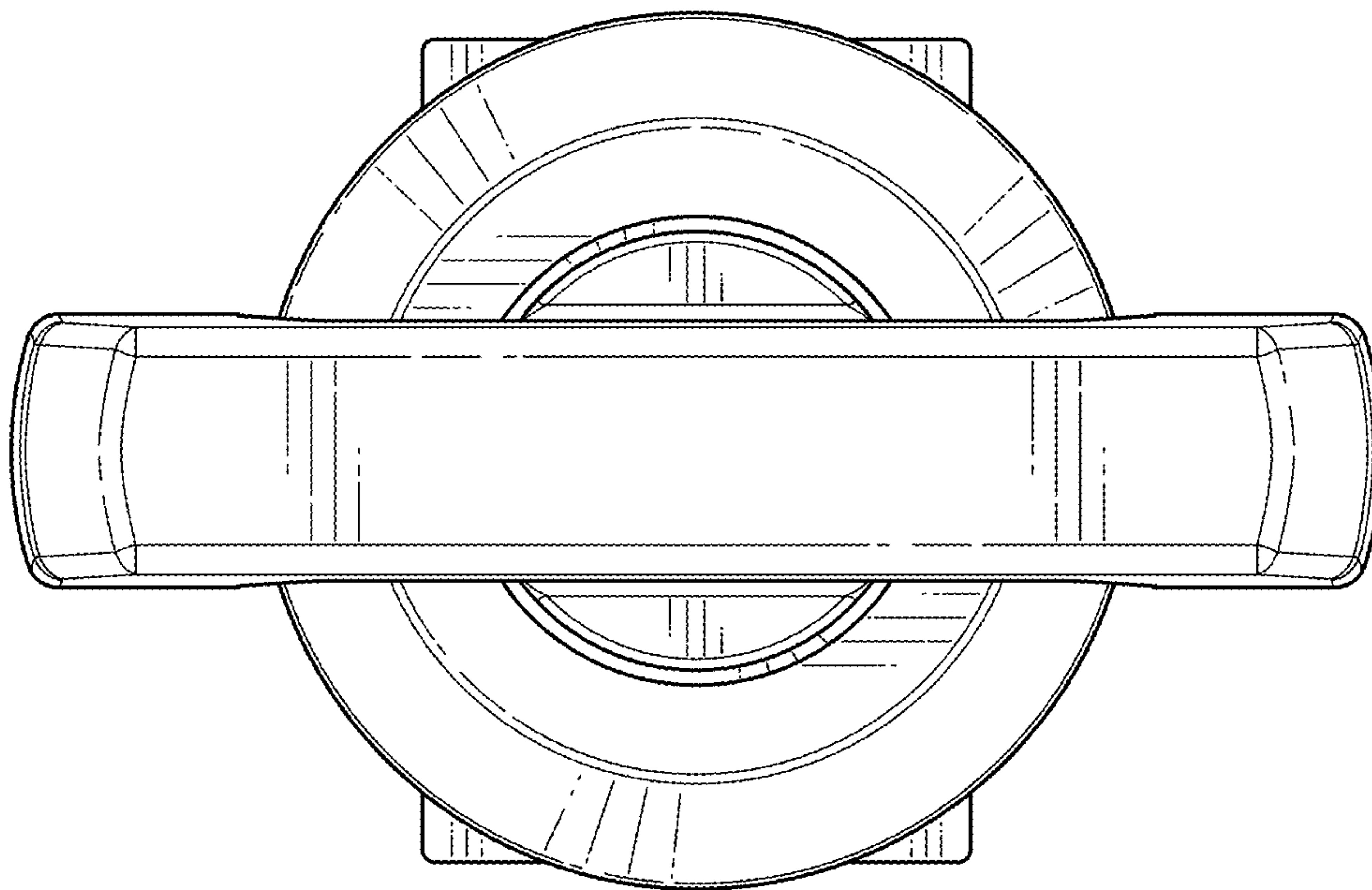


FIG. 7

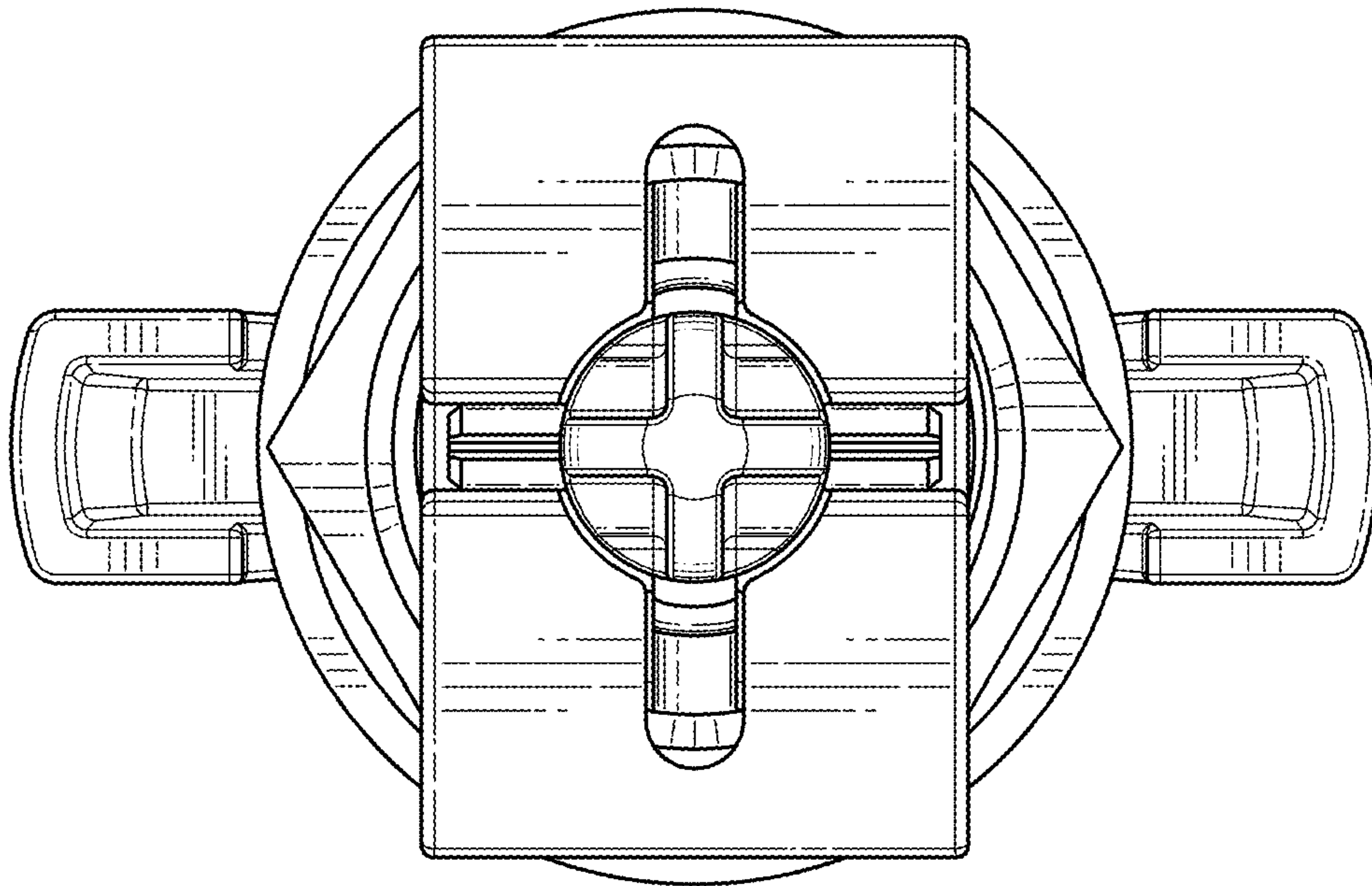


FIG. 8