



US00D806515S

(12) **United States Design Patent**  
**Backhaus**

(10) **Patent No.:** **US D806,515 S**  
(45) **Date of Patent:** **\*\* Jan. 2, 2018**

(54) **LOCKING AND CLOSING DEVICE**

5,235,832 A *	8/1993	Lux	.....	E05B 9/086
				70/368
D365,011 S *	12/1995	Myers	.....	D8/331
D435,781 S *	1/2001	Freck	.....	D8/338
D445,015 S *	7/2001	Weinerman	.....	D8/302
D469,680 S *	2/2003	Laabs	.....	D8/343
D482,596 S *	11/2003	Laabs	.....	D8/343
D551,941 S *	10/2007	Miao	.....	D8/336
D652,285 S *	1/2012	Wardi	.....	D8/331
8,272,240 B1 *	9/2012	Schilens	.....	E05C 3/042
				292/336.3
D789,771 S *	6/2017	Tung	.....	D8/331

(71) Applicant: **EMKA Beschlagteile GmbH & Co. KG, Velbert (DE)**

(72) Inventor: **Michael Backhaus, Dortmund (DE)**

(73) Assignee: **EMKA BESCHLAGTEILE GMBH & CO. KG, Velbert (DE)**

(\*\*) Term: **15 Years**

(21) Appl. No.: **29/581,766**

(22) Filed: **Oct. 21, 2016**

(30) **Foreign Application Priority Data**

Apr. 22, 2016 (EM) ..... 003080951-0001

(51) **LOC (11) Cl.** ..... **08-07**

(52) **U.S. Cl.**  
USPC ..... **D8/331**

(58) **Field of Classification Search**

USPC ..... D8/330, 331, 335, 339, 302, 343;  
70/141, 208, 129, 14; 292/336.3, 169,  
292/358, 359, 170, 175, 165, 224,  
292/140-145, 240-242, DIG. 14, DIG. 30,  
292/DIG. 31, DIG. 4, 205

CPC ..... E05B 13/10; E05B 15/00; E05B 65/06;  
E05C 3/04; E05C 1/04

See application file for complete search history.

(56) **References Cited**

**U.S. PATENT DOCUMENTS**

3,541,819 A *	11/1970	Kerr	.....	E05B 27/083
				70/375
5,087,090 A *	2/1992	Humphrey	.....	E05B 63/0017
				292/150

\* cited by examiner

*Primary Examiner* — Prabhakar G Deshmukh

(74) *Attorney, Agent, or Firm* — Johnson, Marcou & Isaacs, LLC; Jennifer S. Stachniak

(57) **CLAIM**

The ornamental design for a locking and closing device, as shown and described.

**DESCRIPTION**

FIG. 1 is a perspective view of a locking and closing device showing my new design;

FIG. 2 is a top plan view thereof;

FIG. 3 is a bottom plan view thereof;

FIG. 4 is a left side elevational view thereof;

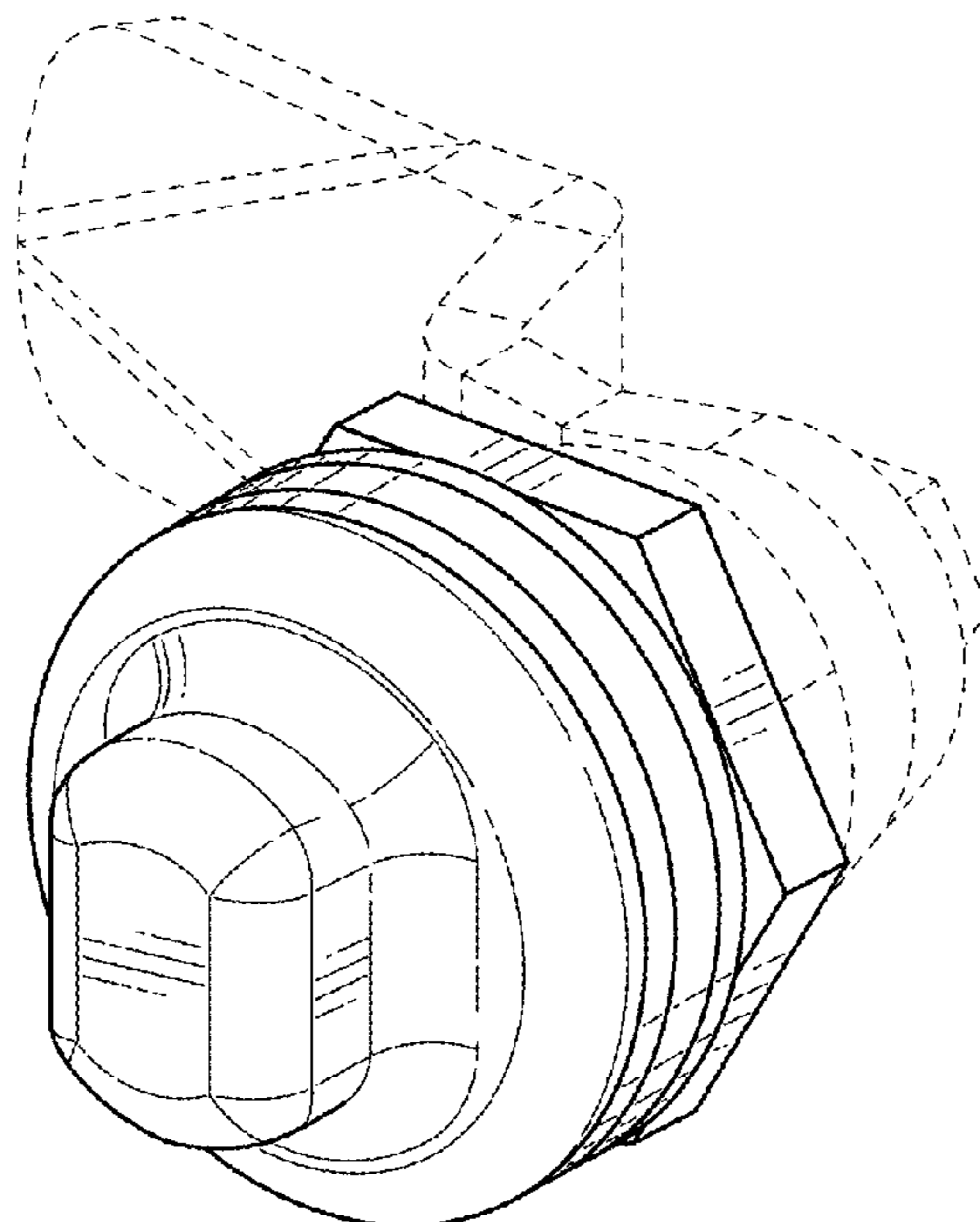
FIG. 5 is a right side elevational view thereof;

FIG. 6 is a front elevational view thereof; and,

FIG. 7 is rear elevational view thereof.

The broken lines environment is for illustration only and forms no part of the claimed design.

**1 Claim, 7 Drawing Sheets**



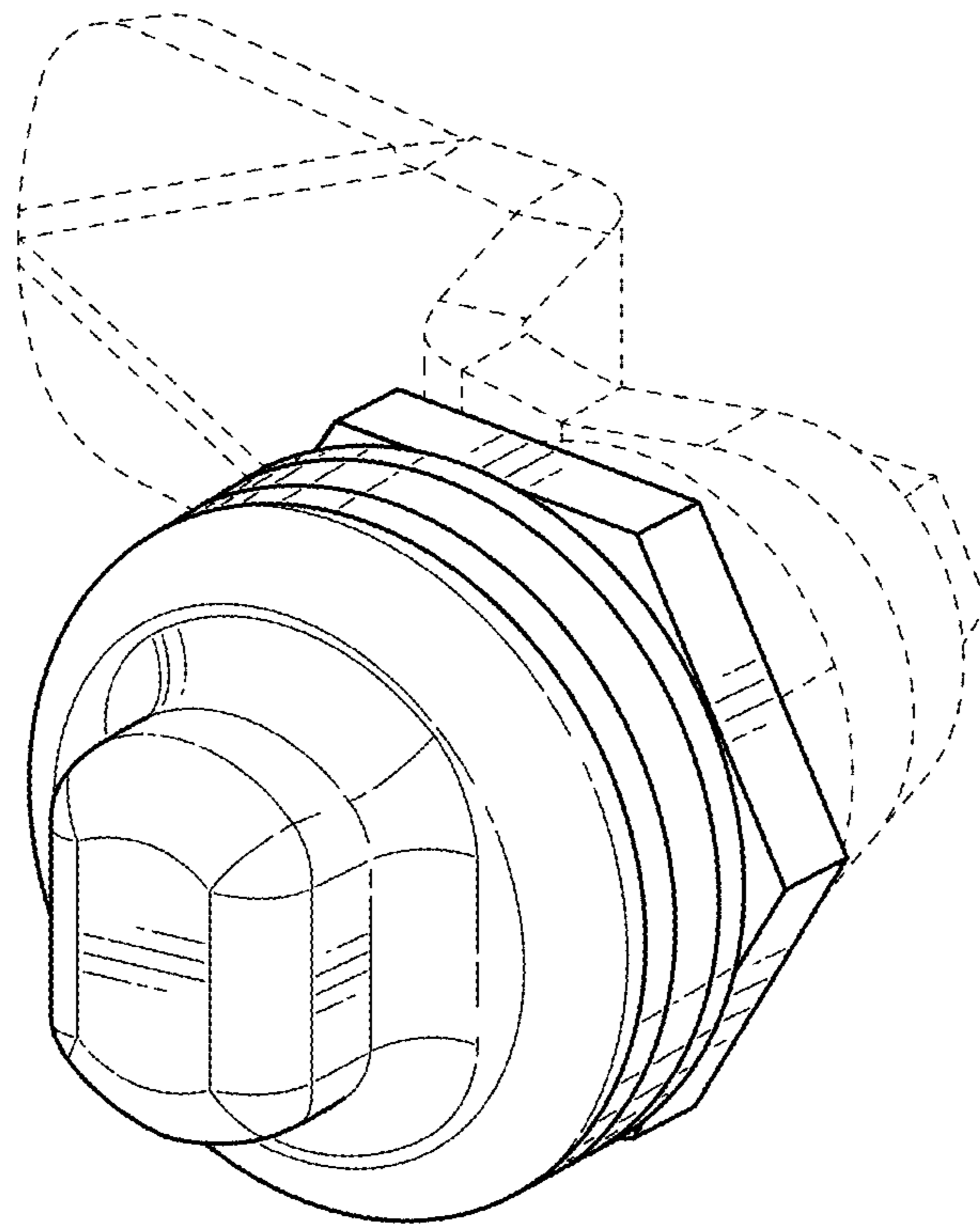


FIG. 1

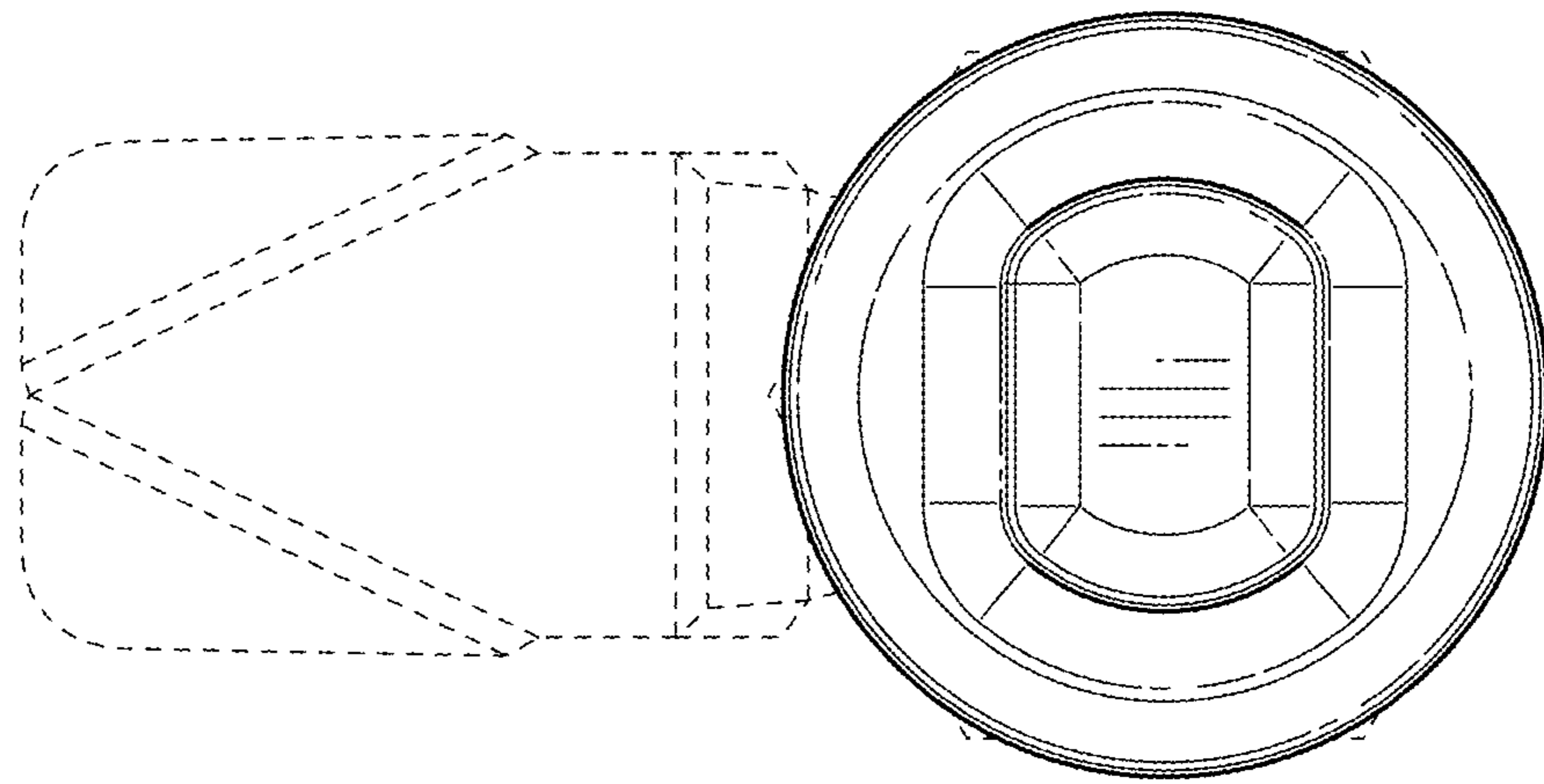


FIG. 2

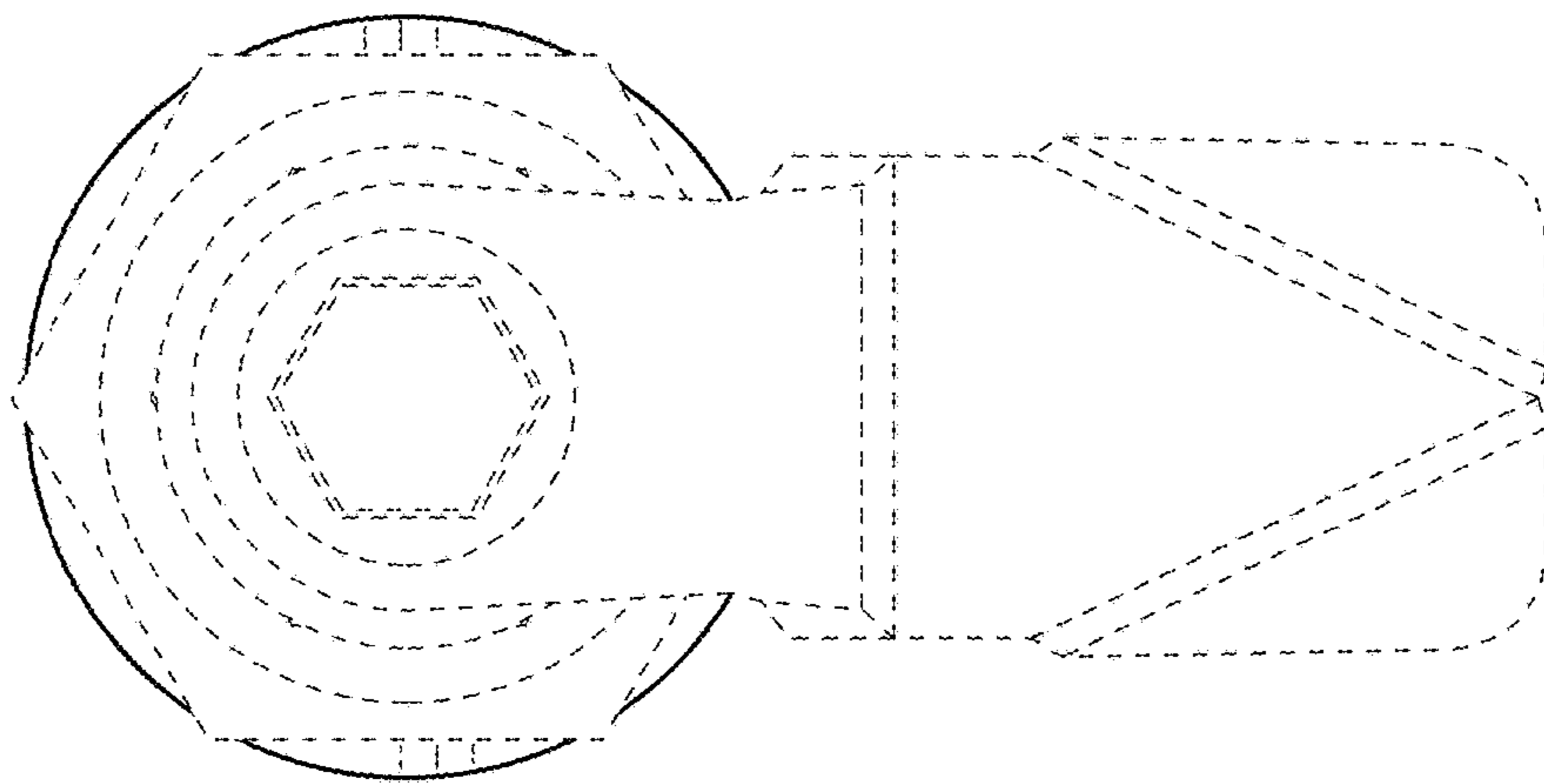


FIG. 3

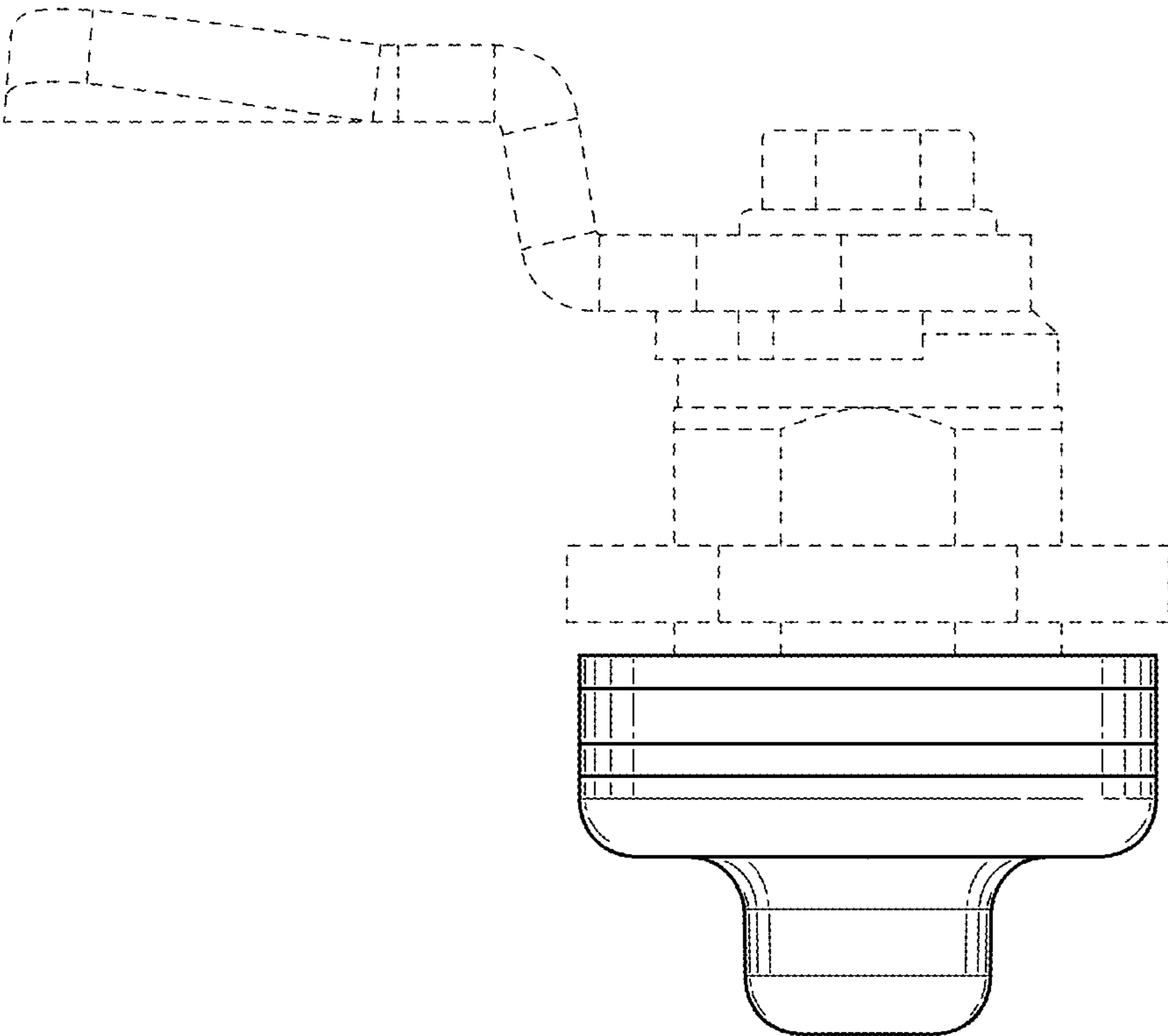


FIG. 4

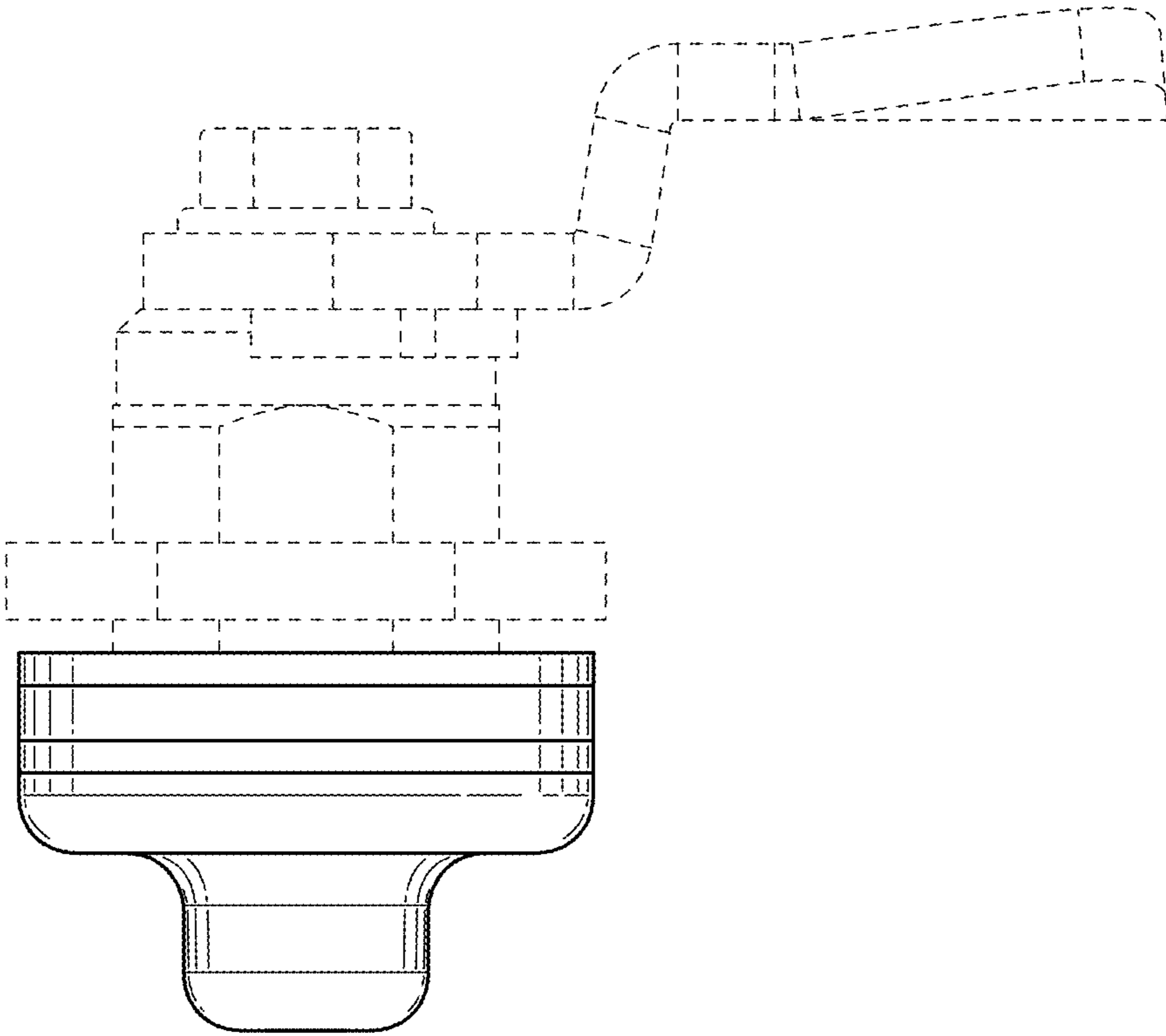


FIG. 5

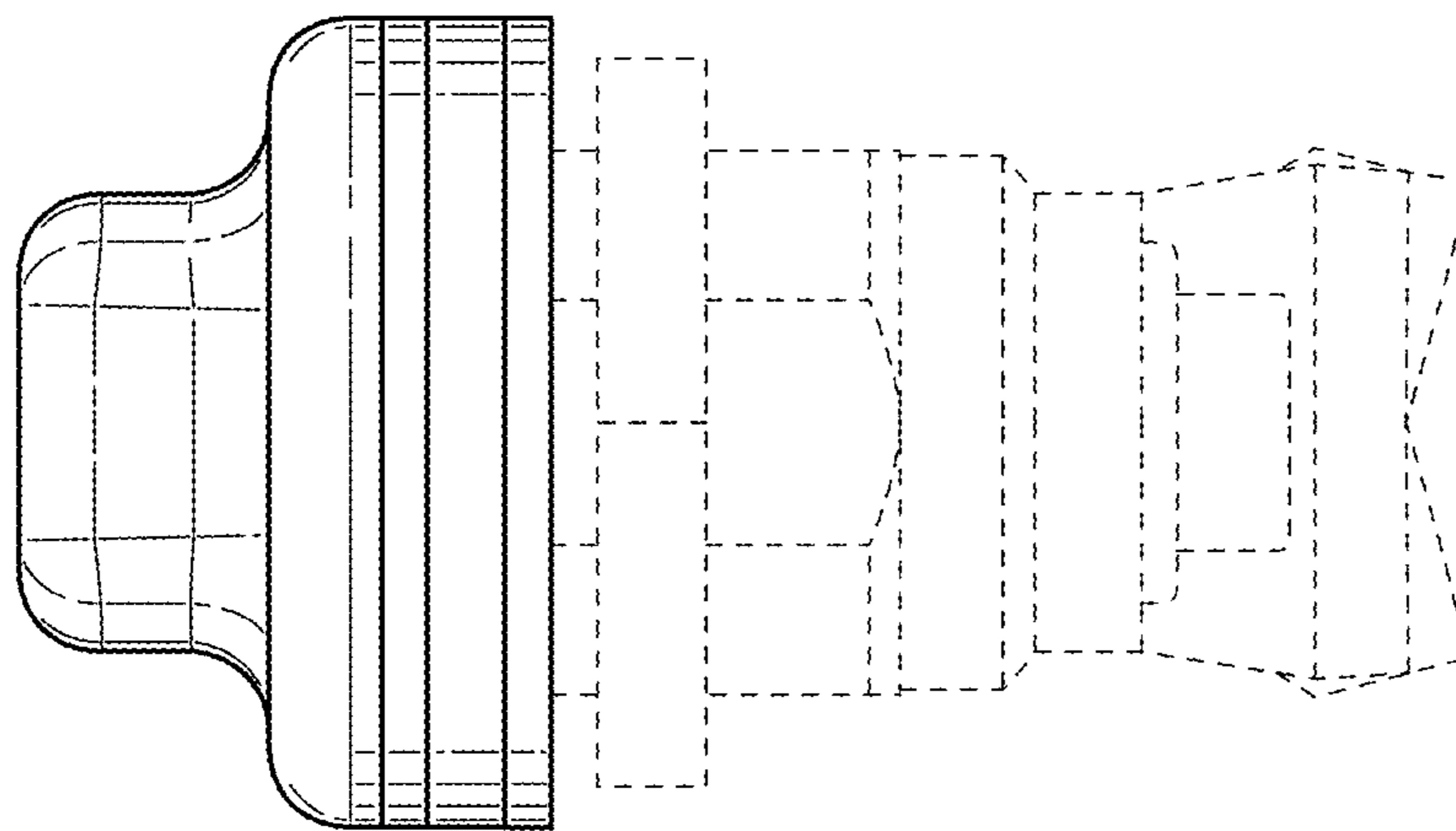


FIG. 6

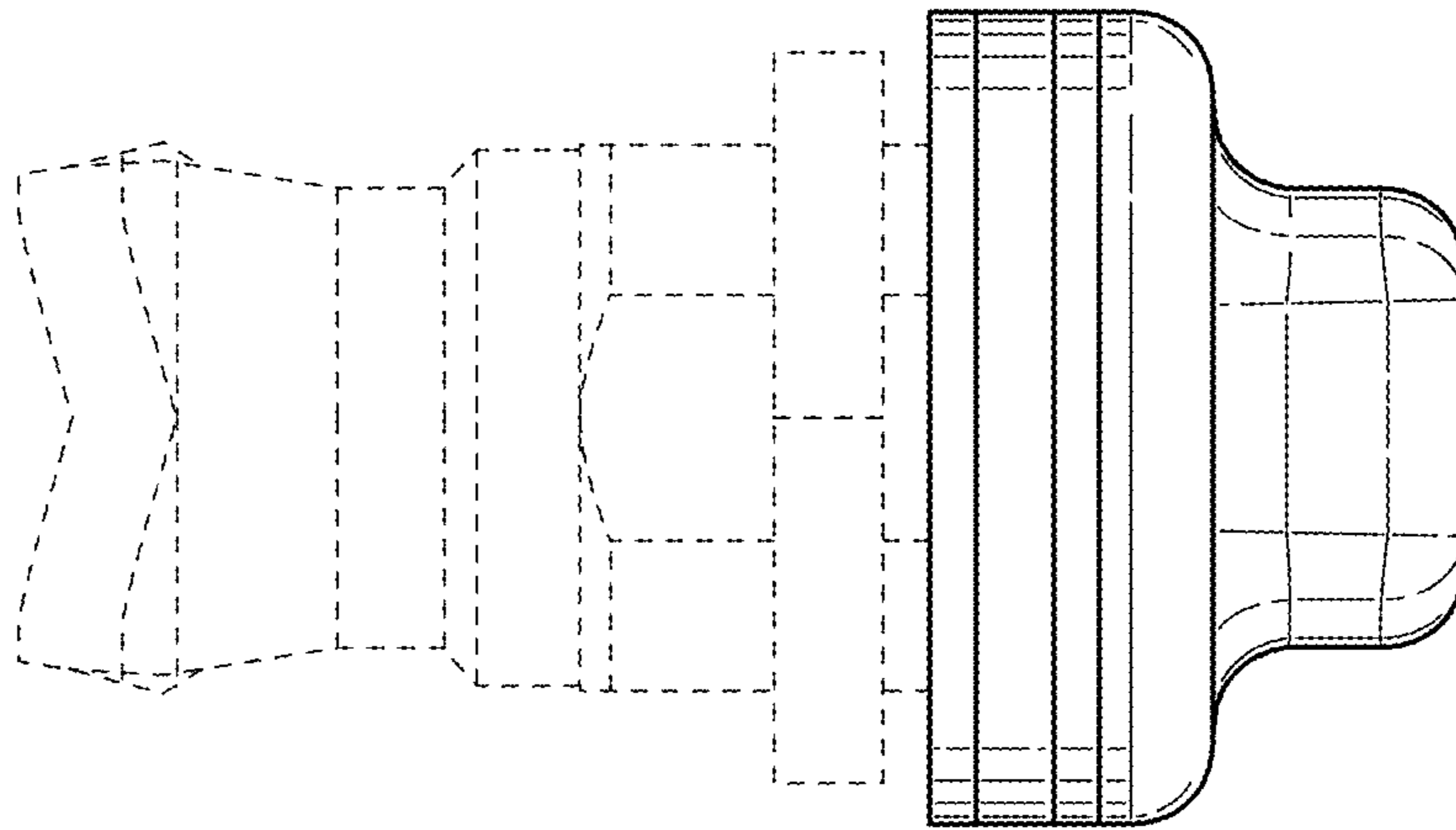


FIG. 7