



US00D806511S

(12) **United States Design Patent**
Yuan

(10) **Patent No.:** **US D806,511 S**
(45) **Date of Patent:** **** Jan. 2, 2018**

(54) **KNOB**
(71) Applicant: **TAIWAN FU HSING INDUSTRIAL CO., LTD.**, Kaohsiung (TW)
(72) Inventor: **Shih-Ting Yuan**, Kaohsiung (TW)
(73) Assignee: **TAIWAN FU HSING INDUSTRIAL CO., LTD.**, Kaohsiung (TW)
(**) Term: **15 Years**
(21) Appl. No.: **29/585,369**
(22) Filed: **Nov. 23, 2016**

D159,415 S * 7/1950 Hitchcock D8/311
D165,119 S * 11/1951 Stuman D8/311
5,845,365 A * 12/1998 Howie, Jr. B29C 45/16
116/309
D444,049 S * 6/2001 Decosse D8/311
D451,780 S * 12/2001 Laabs D8/307
D564,980 S * 3/2008 Browne D13/174
D584,131 S * 1/2009 Roberts D8/338
D631,727 S * 2/2011 Hontz D8/331
D651,458 S * 1/2012 Segers D7/402
D691,456 S * 10/2013 Watkins D8/311
D703,998 S * 5/2014 Funnell, II D7/393

(Continued)

(30) **Foreign Application Priority Data**
Nov. 3, 2016 (TW) 105306585
(51) **LOC (11) Cl.** **08-06**
(52) **U.S. Cl.**
USPC **D8/311**
(58) **Field of Classification Search**
USPC D8/107, 300, 301, 307, 310, 311, 312;
D23/250, 254, 421; D7/393, 394, 396,
D7/406
CPC ... Y10T 292/57; Y10T 292/82; Y10T 16/469;
Y10T 16/44; Y10T 16/476; Y10T
74/2084; Y10T 292/85; Y10T 74/2087;
Y10T 16/4713; Y10T 16/506; Y10T
74/20876; Y10T 74/20612; Y10T
70/5765; Y10T 16/459; Y10T 74/2066;
Y10T 16/487; Y10T 74/20822
See application file for complete search history.

FOREIGN PATENT DOCUMENTS

TW D175697 5/2016

OTHER PUBLICATIONS

Taiwanese Notice of Allowance mailed Mar. 8, 2017 for Taiwanese Design Patent Application No. 105306585, 3 pages.

Primary Examiner — Lauren Calve
(74) *Attorney, Agent, or Firm* — Jackson IPG PLLC;
Demian K. Jackson

(57) **CLAIM**

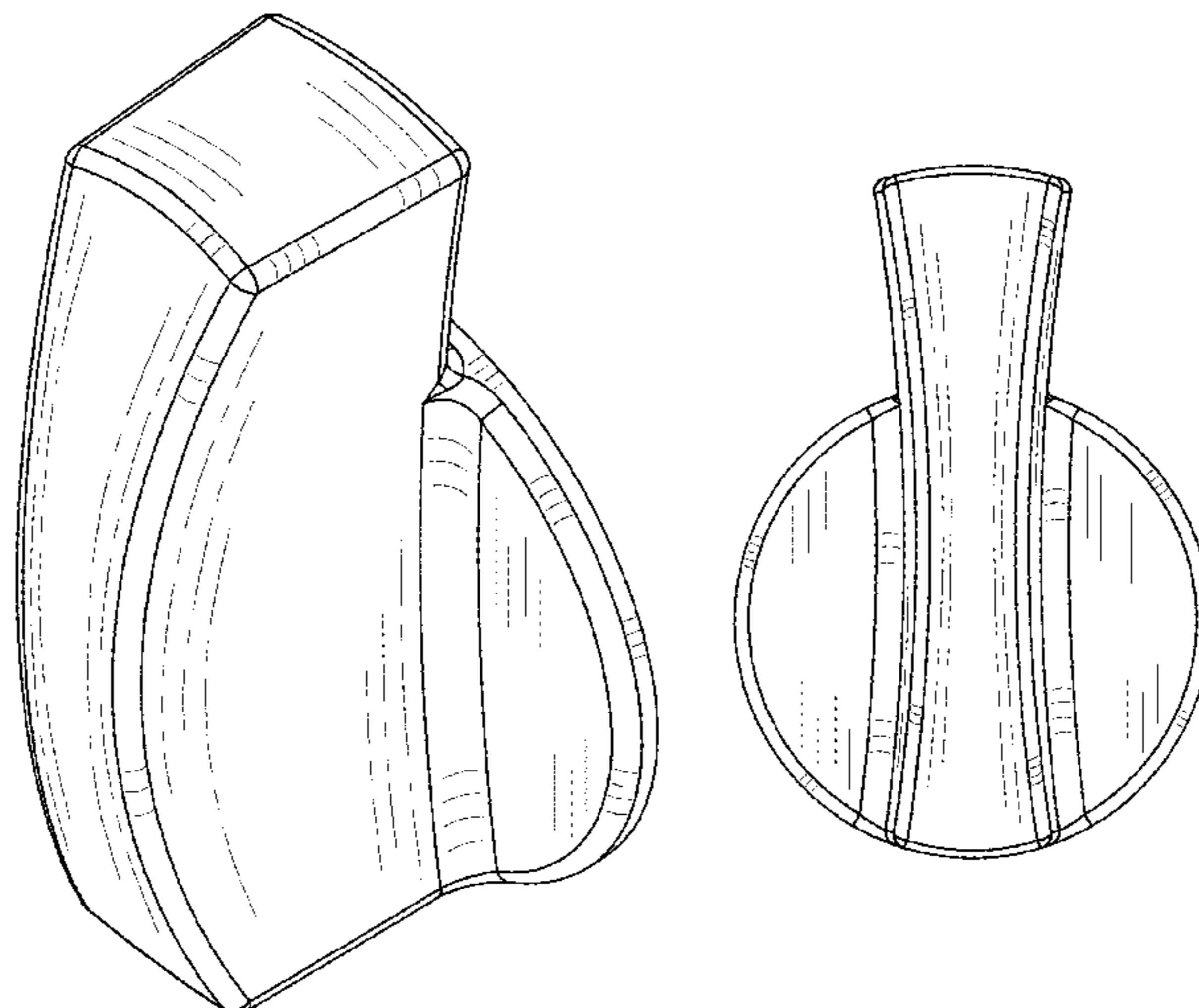
The ornamental design for a knob, as shown and described.

DESCRIPTION

FIG. 1 is a perspective view of a knob showing my new design;
FIG. 2 is a front elevational view thereof;
FIG. 3 is a top plan view thereof;
FIG. 4 is a right side elevational view thereof;
FIG. 5 is a left side elevational view thereof;
FIG. 6 is a rear elevational view thereof; and,
FIG. 7 is a bottom plan view thereof.
The broken lines shown represent unclaimed subject matter and form no part of the claimed design.

1 Claim, 4 Drawing Sheets

(56) **References Cited**
U.S. PATENT DOCUMENTS
D132,433 S * 5/1942 Pellegrin D13/174
D141,840 S * 7/1945 Stewart D8/307
2,420,985 A * 5/1947 Simpson G05G 1/10
116/328
D152,928 S * 3/1949 Stuman D8/311



(56)

References Cited

U.S. PATENT DOCUMENTS

9,234,369 B2 * 1/2016 Gupta E05B 3/04
2016/0097541 A1 * 4/2016 Choi F24C 3/126
126/39 E
2017/0089586 A1 * 3/2017 Turner F24C 3/122

* cited by examiner

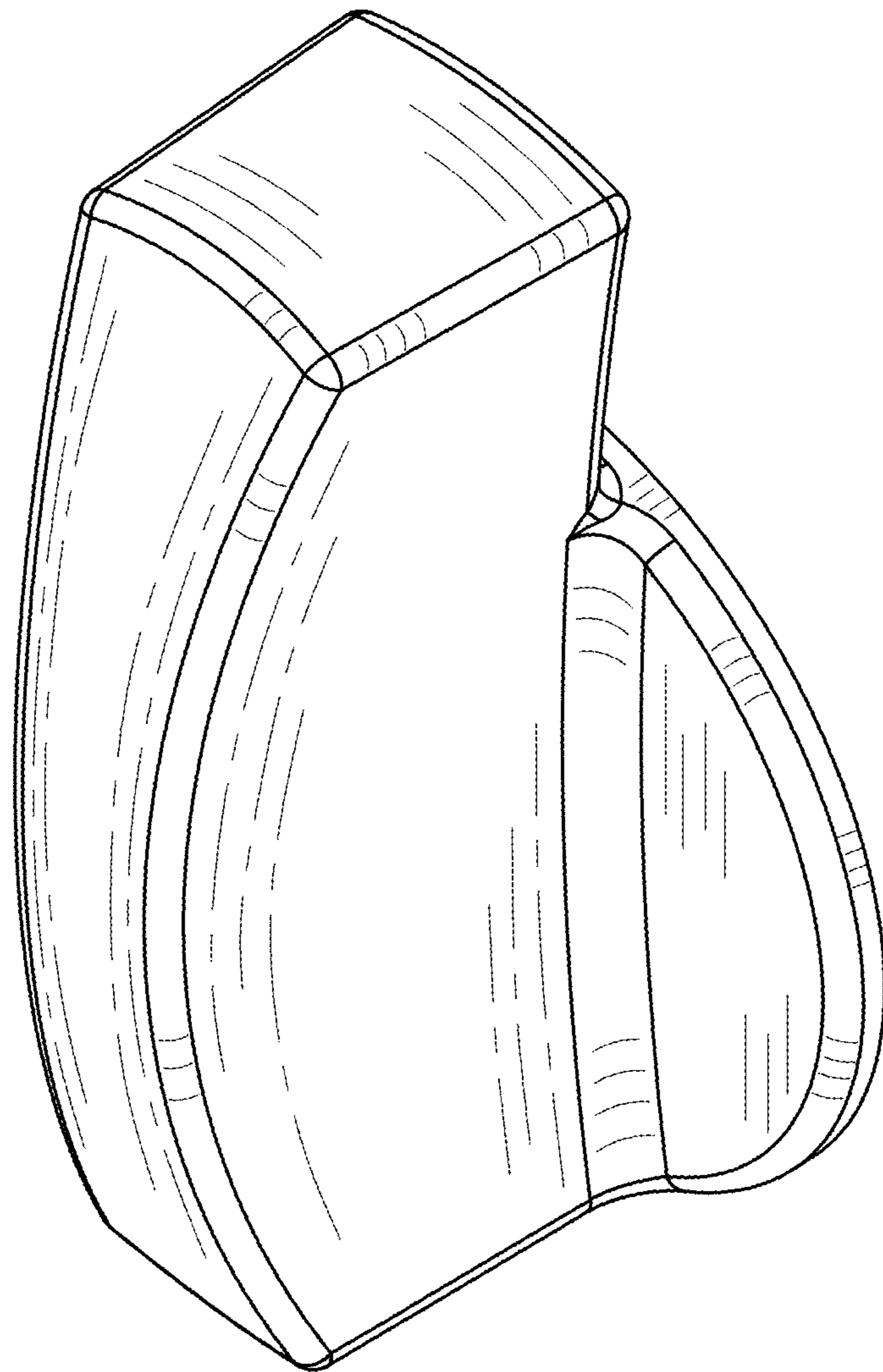


FIG. 1

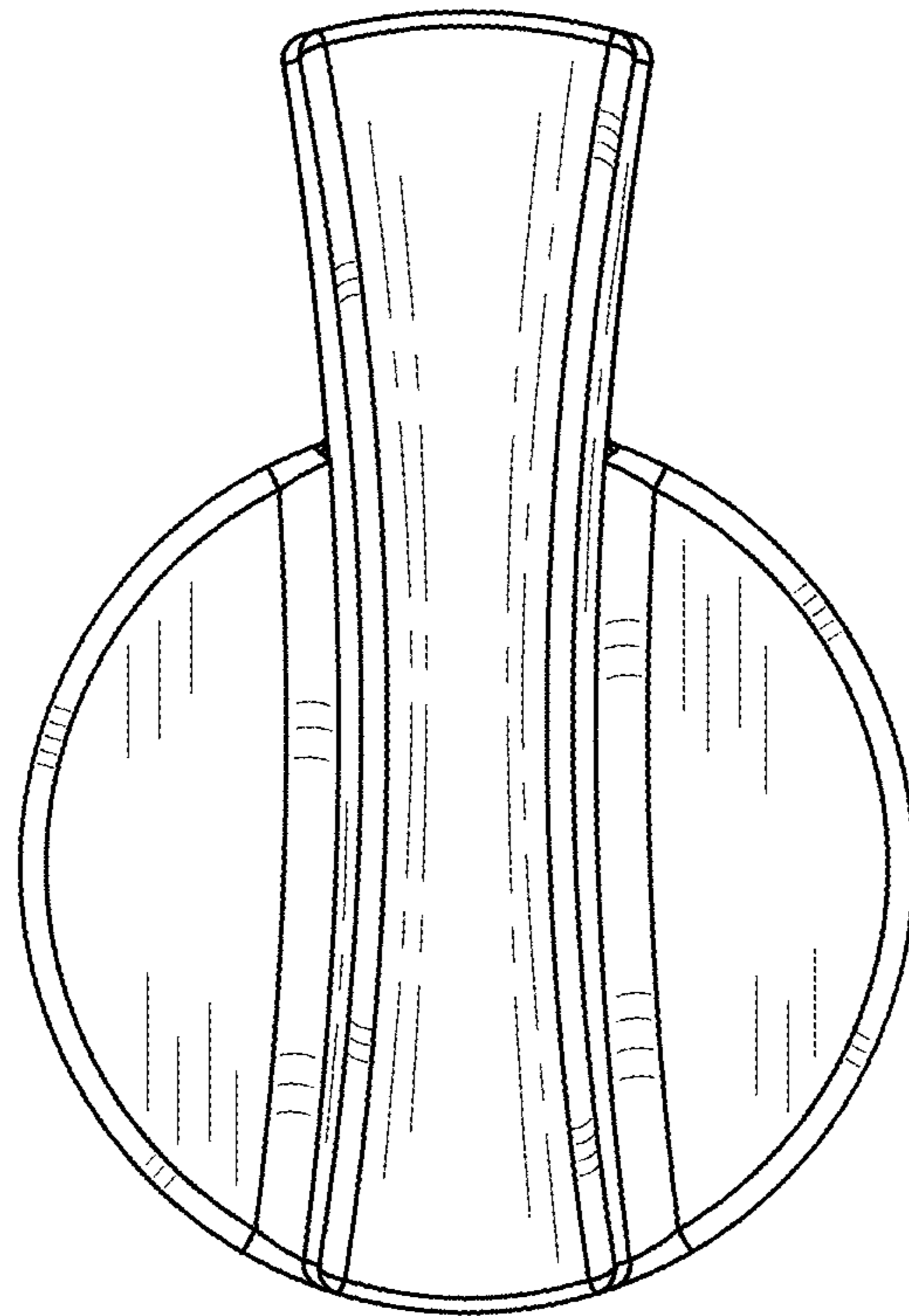


FIG. 2

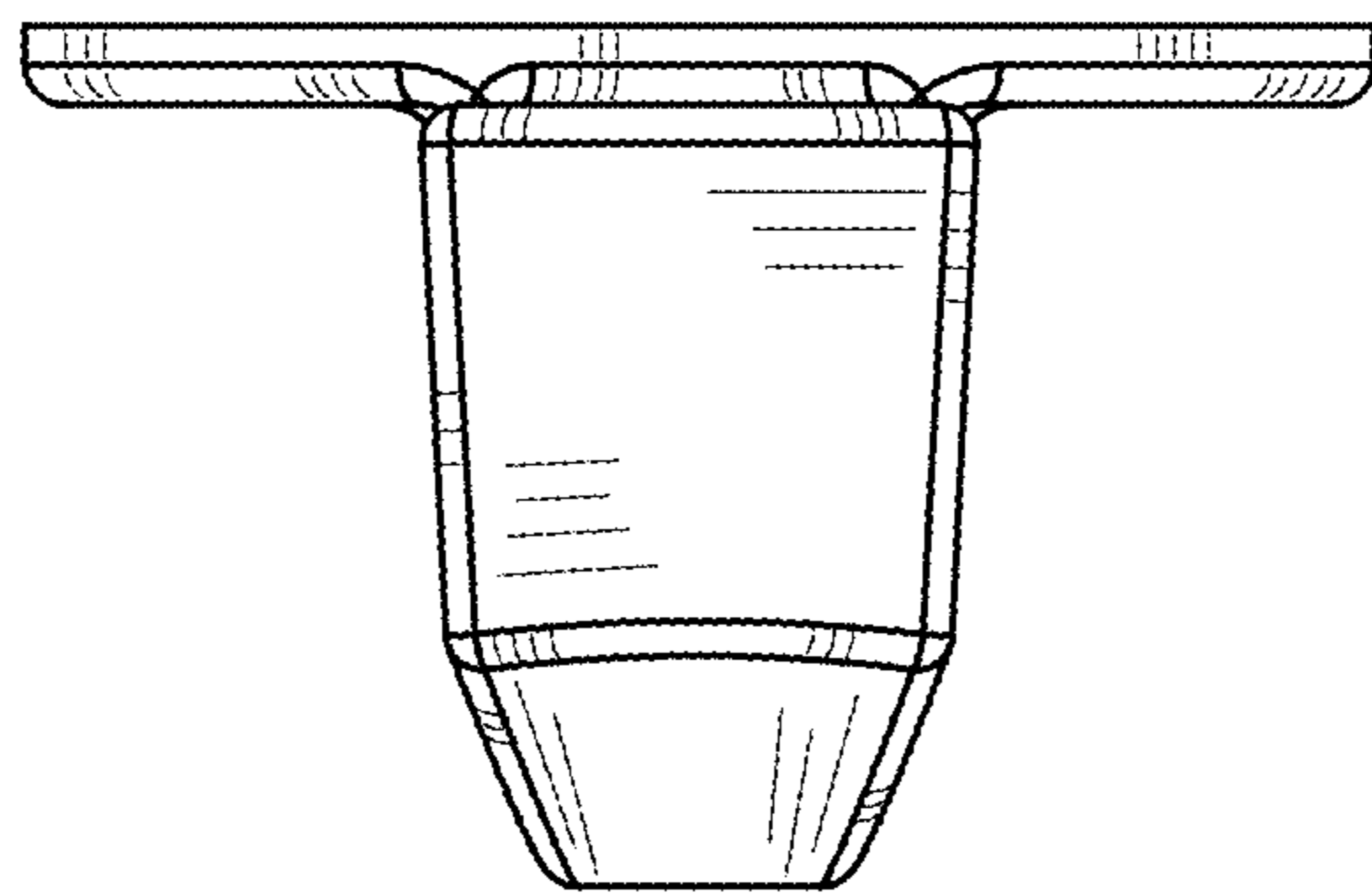


FIG. 3

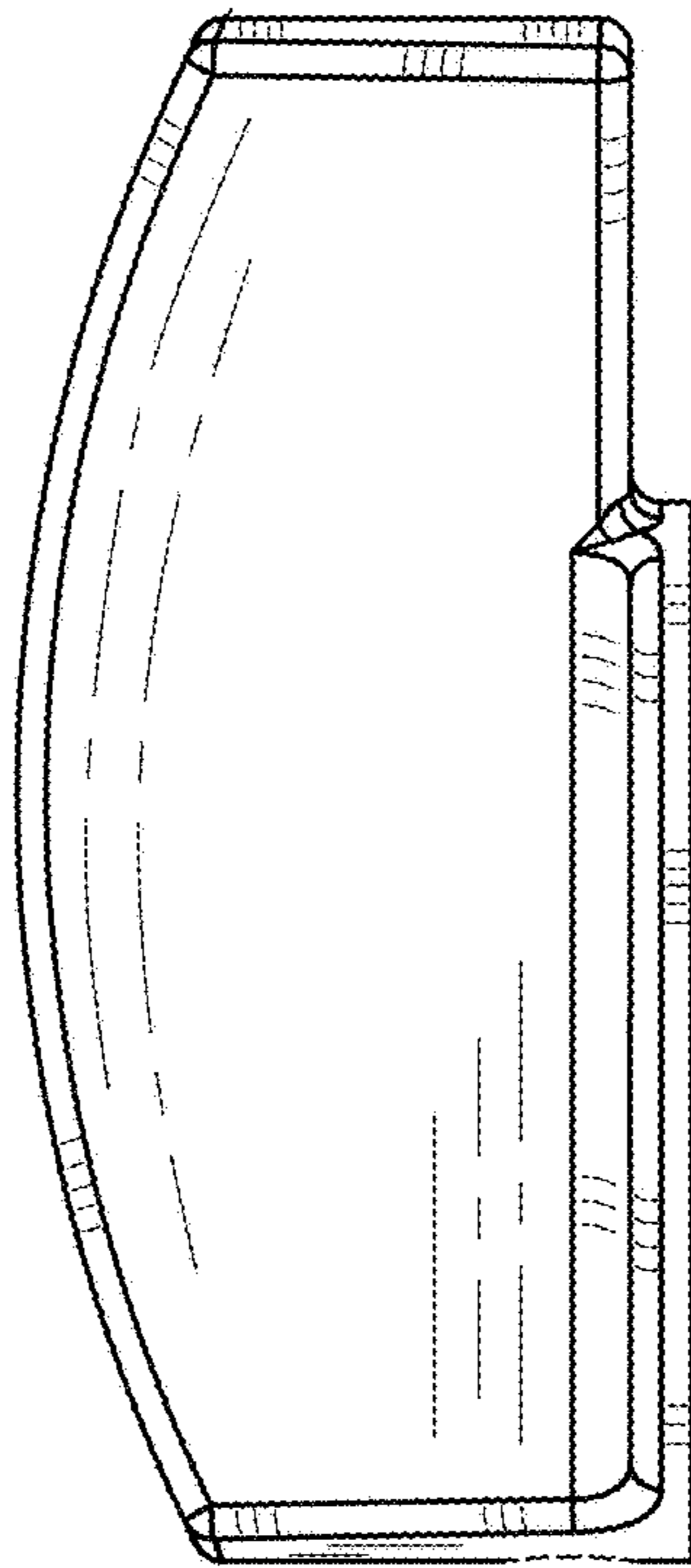


FIG. 4

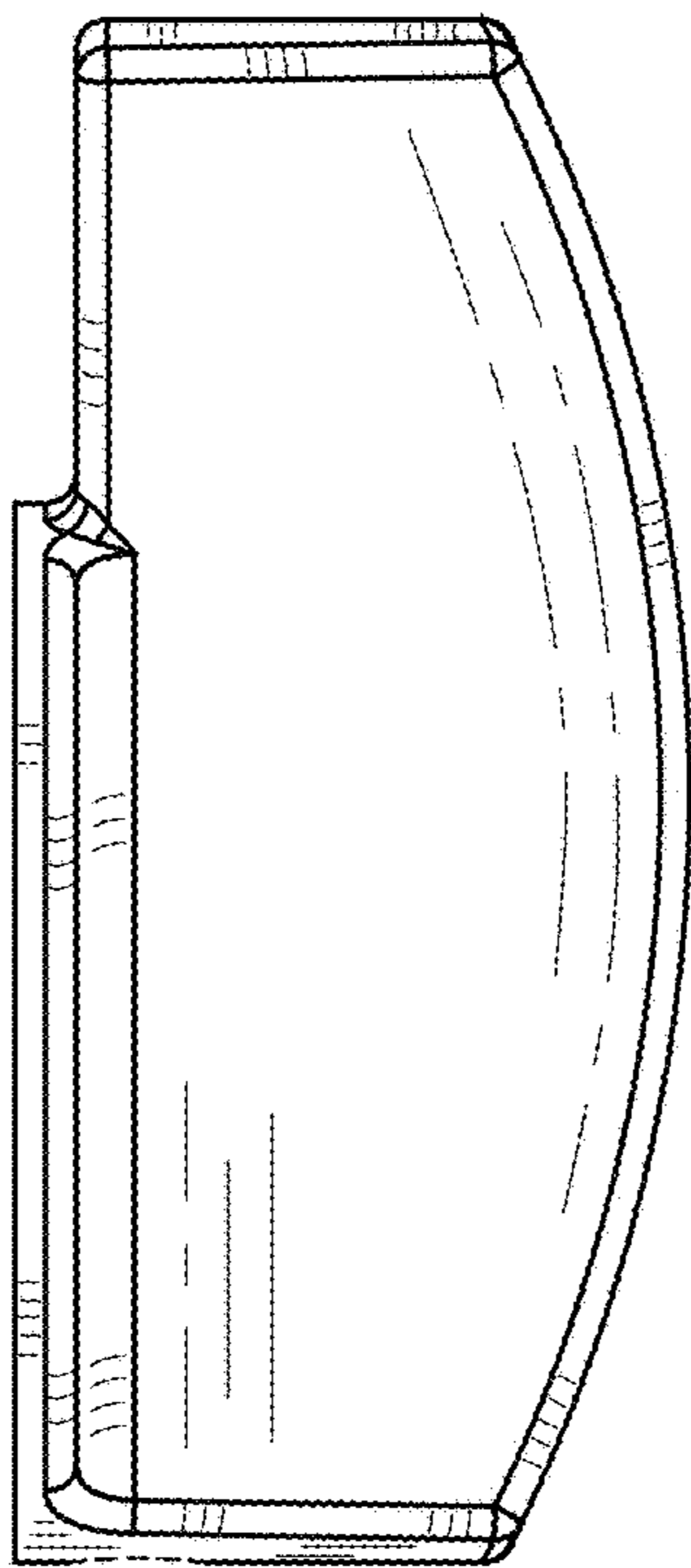


FIG. 5

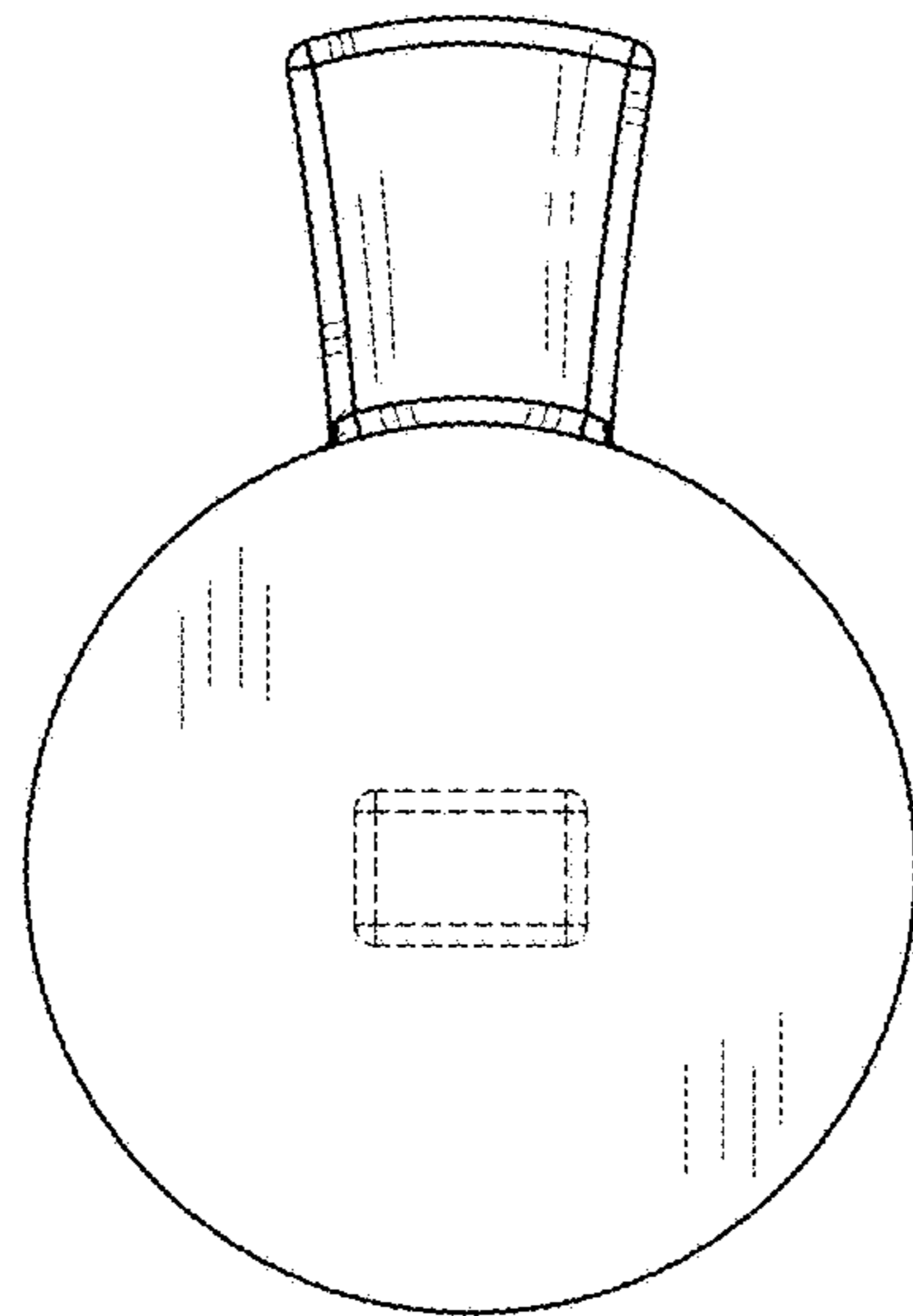


FIG. 6

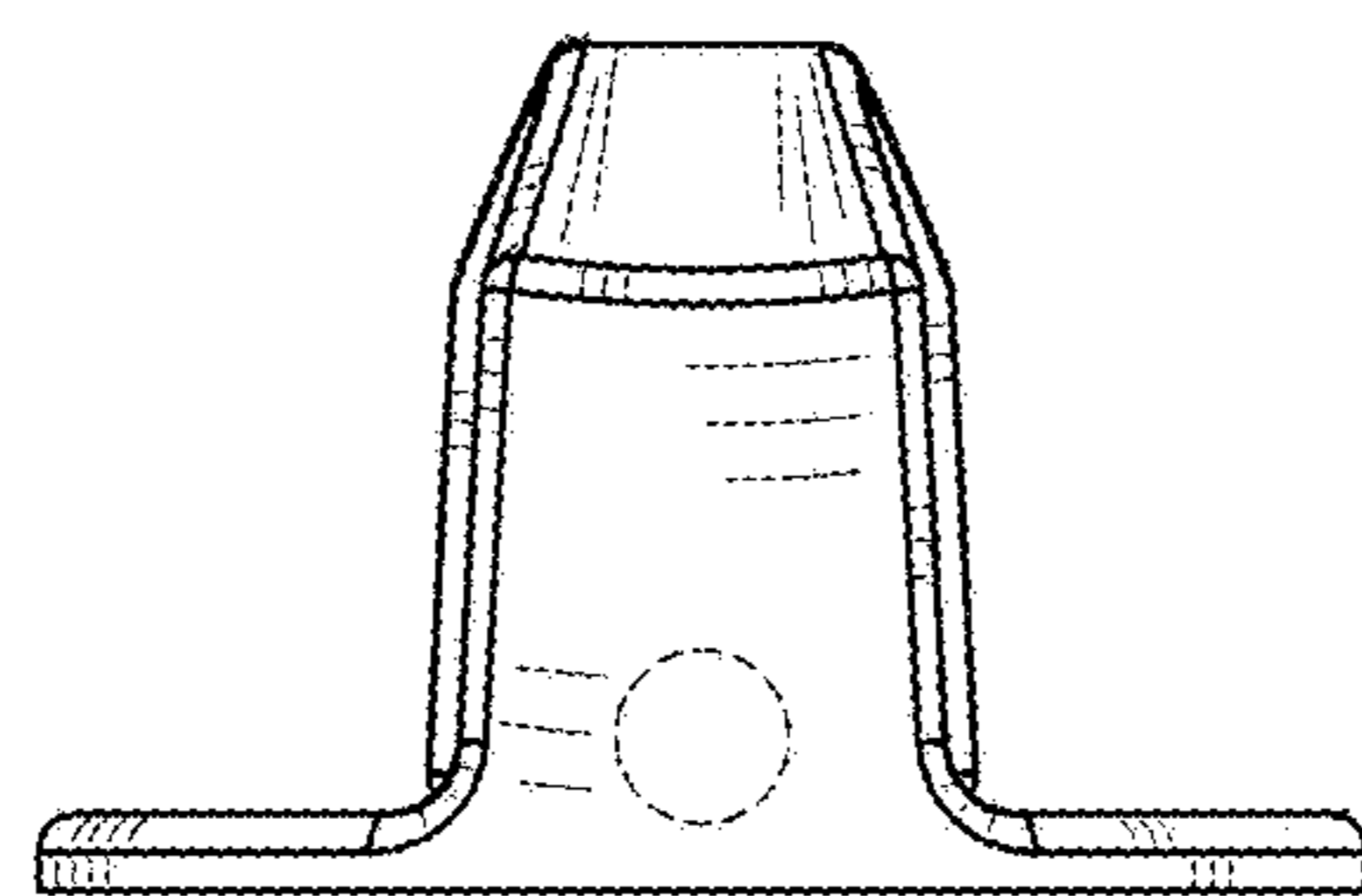


FIG. 7