



US00D806509S

(12) **United States Design Patent** (10) **Patent No.:** **US D806,509 S**
Weise (45) **Date of Patent:** **** Jan. 2, 2018**

(54) **DOOR HANDLE**

(71) Applicant: **FRANZ SCHNEIDER BRAKEL GMBH + CO KG**, Brakel (DE)

(72) Inventor: **Hartmut Weise**, Bad Lippspringe (DE)

(73) Assignee: **Franz Schneider Brakel GMBH & Co KG**, Brakel (DE)

(**) Term: **15 Years**

(21) Appl. No.: **29/583,858**

(22) Filed: **Nov. 9, 2016**

(51) **LOC (11) Cl.** **08-06**

(52) **U.S. Cl.**
USPC **D8/308**

(58) **Field of Classification Search**
USPC D8/300–302, 307–309, 310, 311, 10;
D23/250, 252; 292/336.3; 74/523, 543;
70/192, 201, 206, 207; 16/110.1, 412,
16/416, DIG. 30
CPC Y10T 16/44; Y10T 74/20612; Y10T
74/20732; Y10T 16/458; Y10T 16/498;
Y10T 16/469; Y10T 16/476; Y10T
74/20744; Y10T 74/20864; Y10T
16/4628; Y10T 74/20642; Y10T 16/473;
Y10T 74/20762; Y10T 74/2042; Y10T
74/20828; Y10T 16/459; Y10T 16/4713;
Y10T 74/2014; Y10T 16/50; Y10T
74/20438; Y10T 74/20582; Y10T
74/20738; Y10T 16/48; Y10T 74/20618;
Y10T 74/20684; Y10T 74/20624; Y10T
74/20468; Y10T 16/61; Y10T 16/4719;
Y10T 16/86; Y10S 16/30; Y10S 292/31;
Y10S 292/53; Y10S 16/12; Y10S 292/23;
Y10S 292/27; Y10S 292/30; Y10S
292/63; E05B 85/16; E05B 1/0015; E05B
77/06; E05B 79/06; E05B 85/18; E05B
85/12; E05B 85/10; E05B 7/00; E05B
1/0053; E05B 77/265

See application file for complete search history.

(56) **References Cited**

U.S. PATENT DOCUMENTS

D83,158 S *	1/1931	Graff	D8/308
2,729,485 A *	1/1956	Schlage	E05B 3/065 267/150
5,718,468 A *	2/1998	Qureshi	E05B 63/0056 292/347
6,857,300 B1 *	2/2005	Heeley	E05B 13/004 70/210
D549,548 S *	8/2007	Roberts, III	D8/308
D734,120 S *	7/2015	Hsu	D8/308
D734,121 S *	7/2015	Schneider	D8/308
D734,123 S *	7/2015	Chen	D8/308
D745,360 S *	12/2015	Sun	D8/308
2004/0169379 A1 *	9/2004	Hemping	E05B 1/003 292/336.3
2008/0030030 A1 *	2/2008	Huang	E05B 1/06 292/348
2008/0088140 A1 *	4/2008	Huang	E05B 1/003 292/347

(Continued)

Primary Examiner — Lauren Calve

(74) *Attorney, Agent, or Firm* — Barnes & Thornburg LLP

(57) **CLAIM**

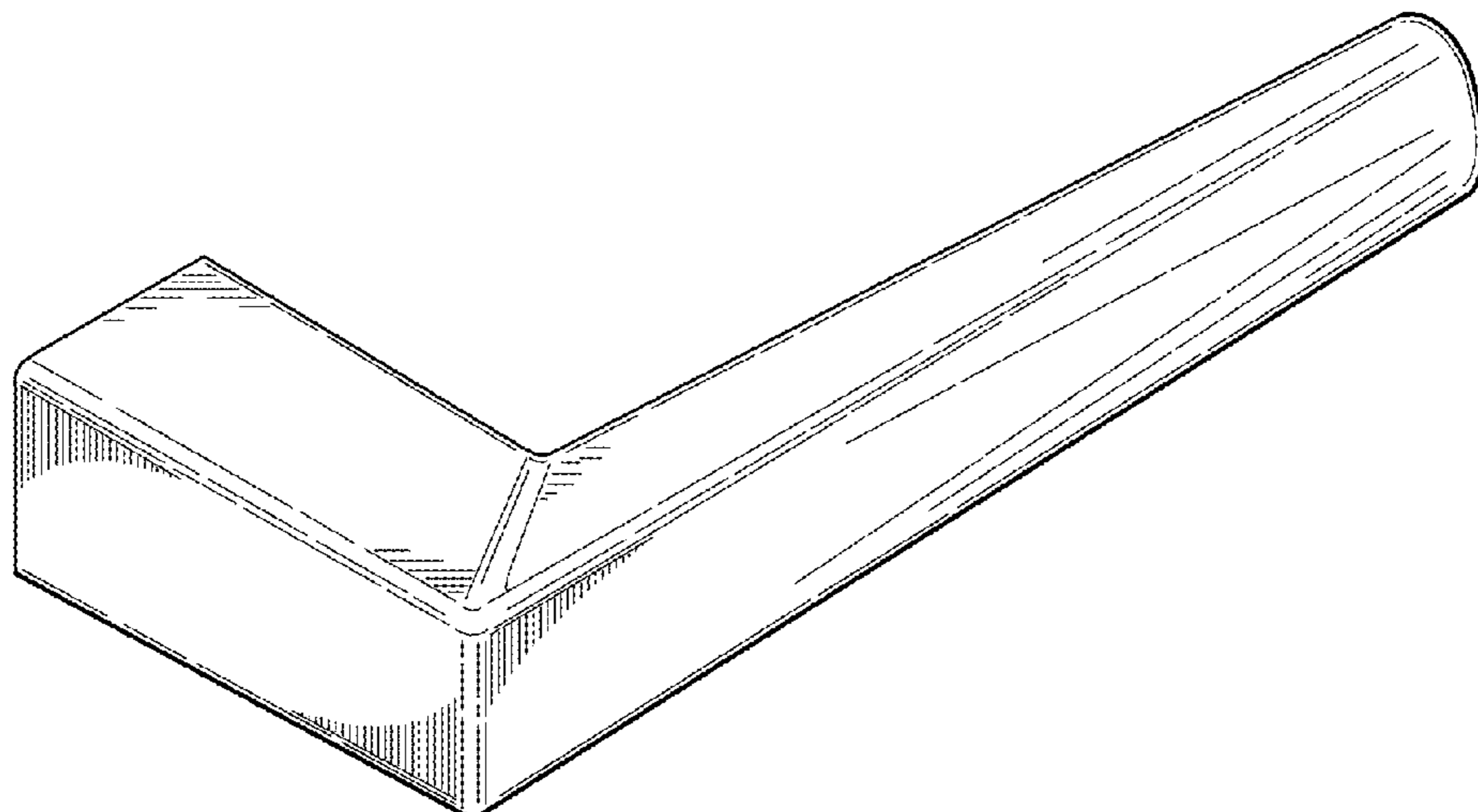
What is claimed is the ornamental design for a door handle, as shown and described.

DESCRIPTION

FIG. 1 is a perspective view of a door handle;
FIG. 2 is a left side view thereof;
FIG. 3 is a right side view thereof;
FIG. 4 is a front view thereof;
FIG. 5 is a rear view thereof;
FIG. 6 is a top view thereof; and,
FIG. 7 is a bottom view thereof.

The broken lines shown represent unclaimed subject matter and form no part of the claimed design.

1 Claim, 2 Drawing Sheets



(56)

References Cited

U.S. PATENT DOCUMENTS

2017/0016252 A1* 1/2017 Uhlmann E05B 47/068

* cited by examiner

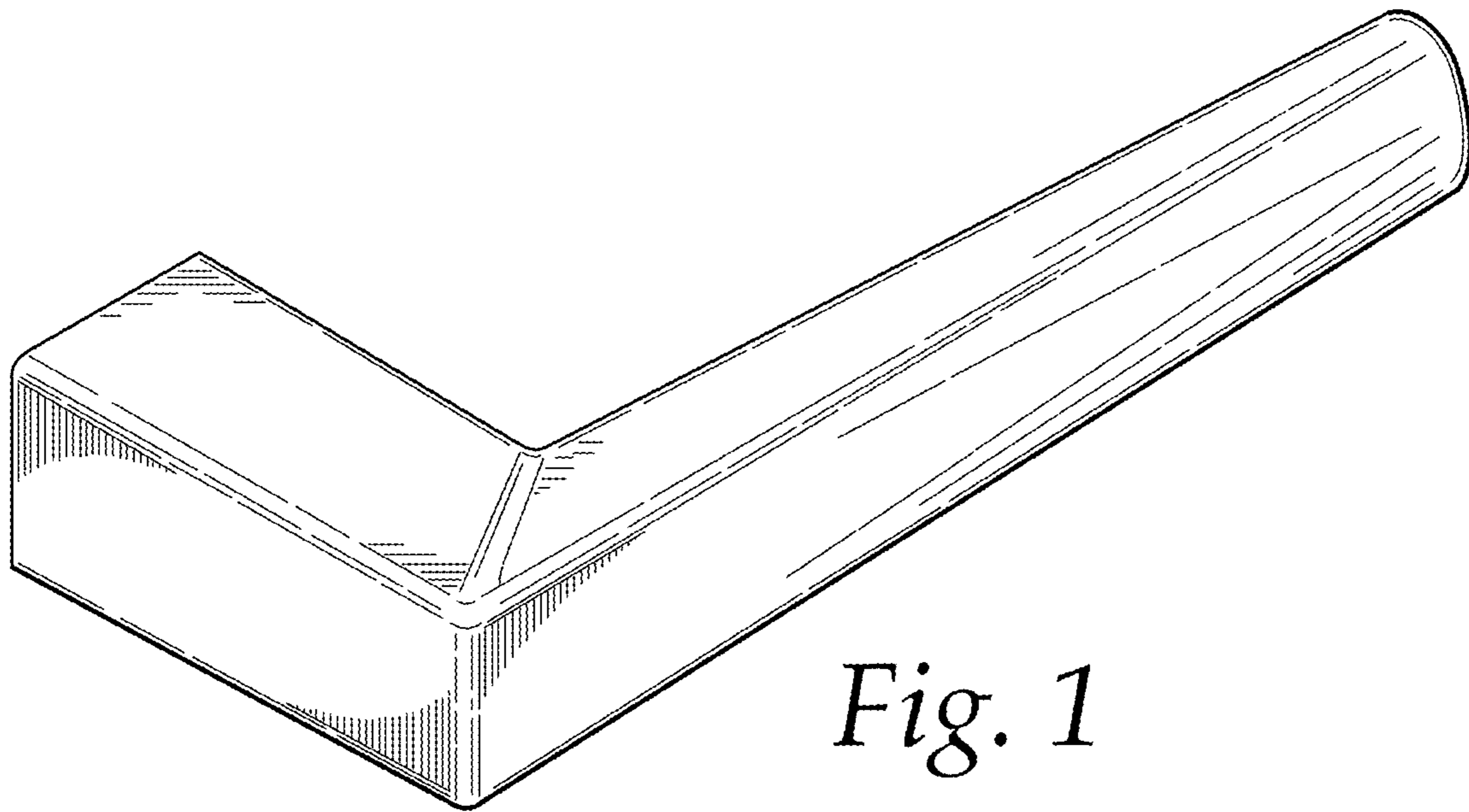


Fig. 1

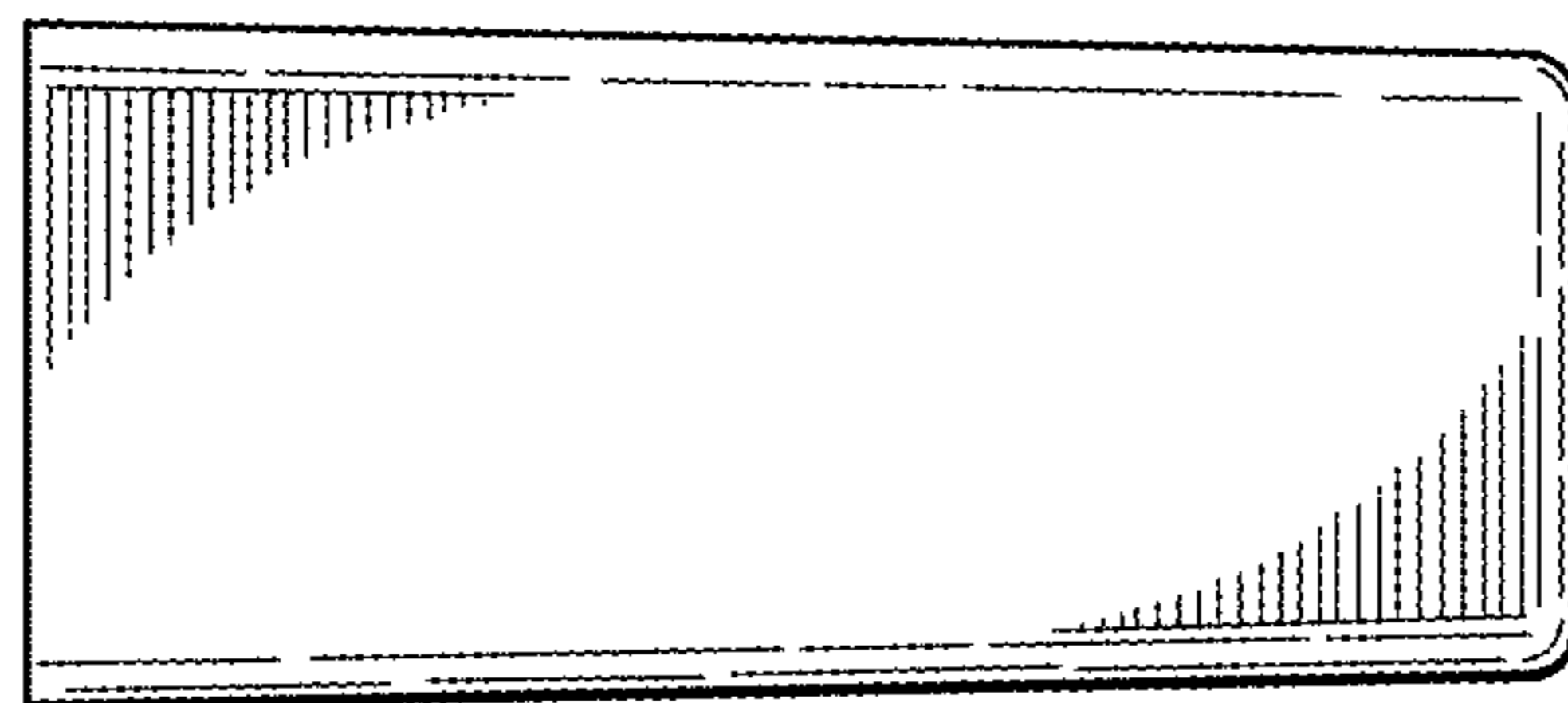


Fig. 2

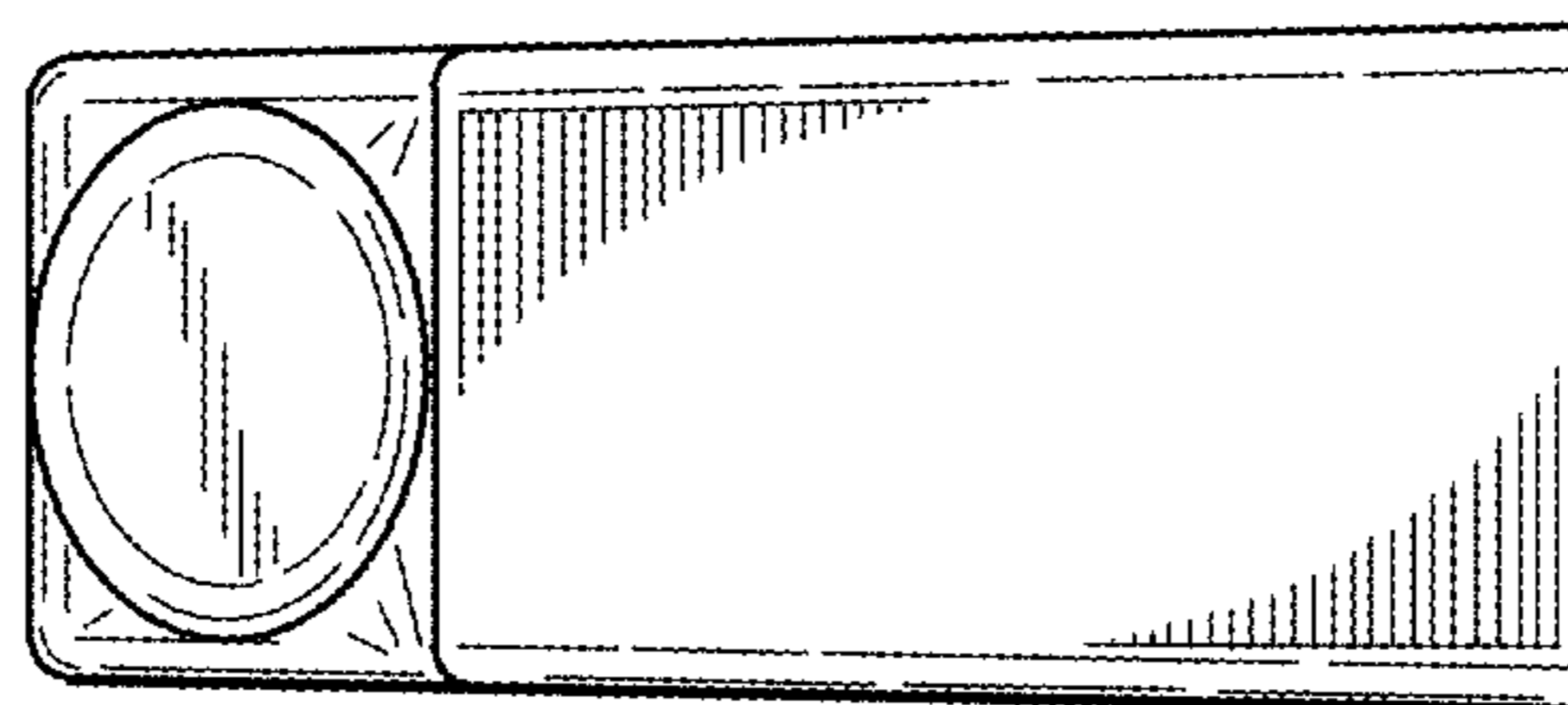


Fig. 3

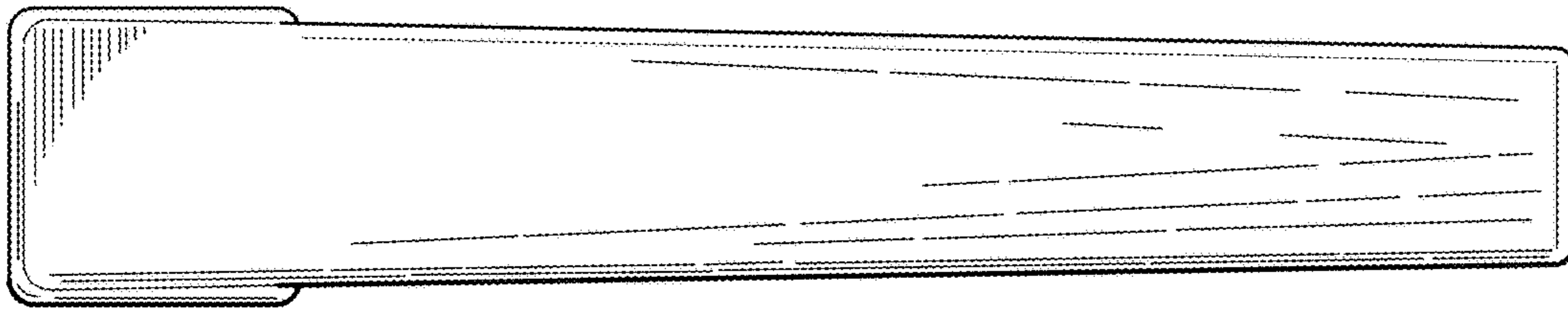


Fig. 4

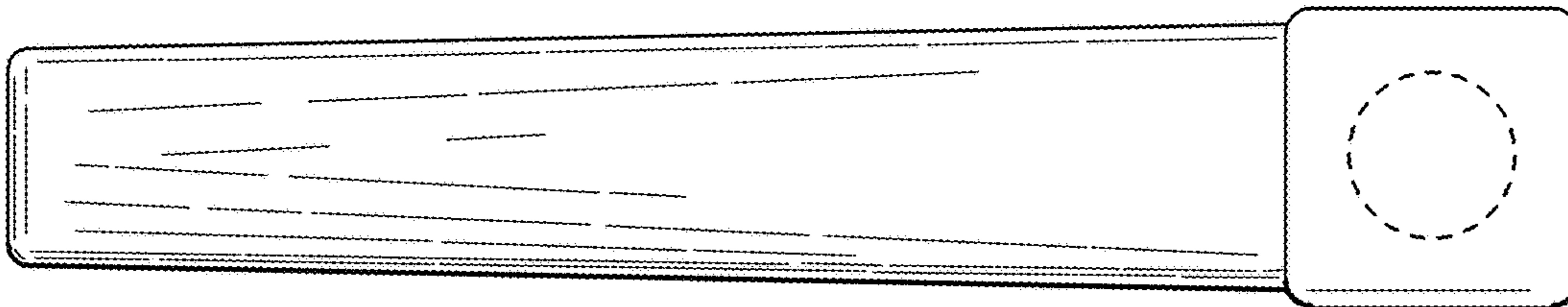


Fig. 5

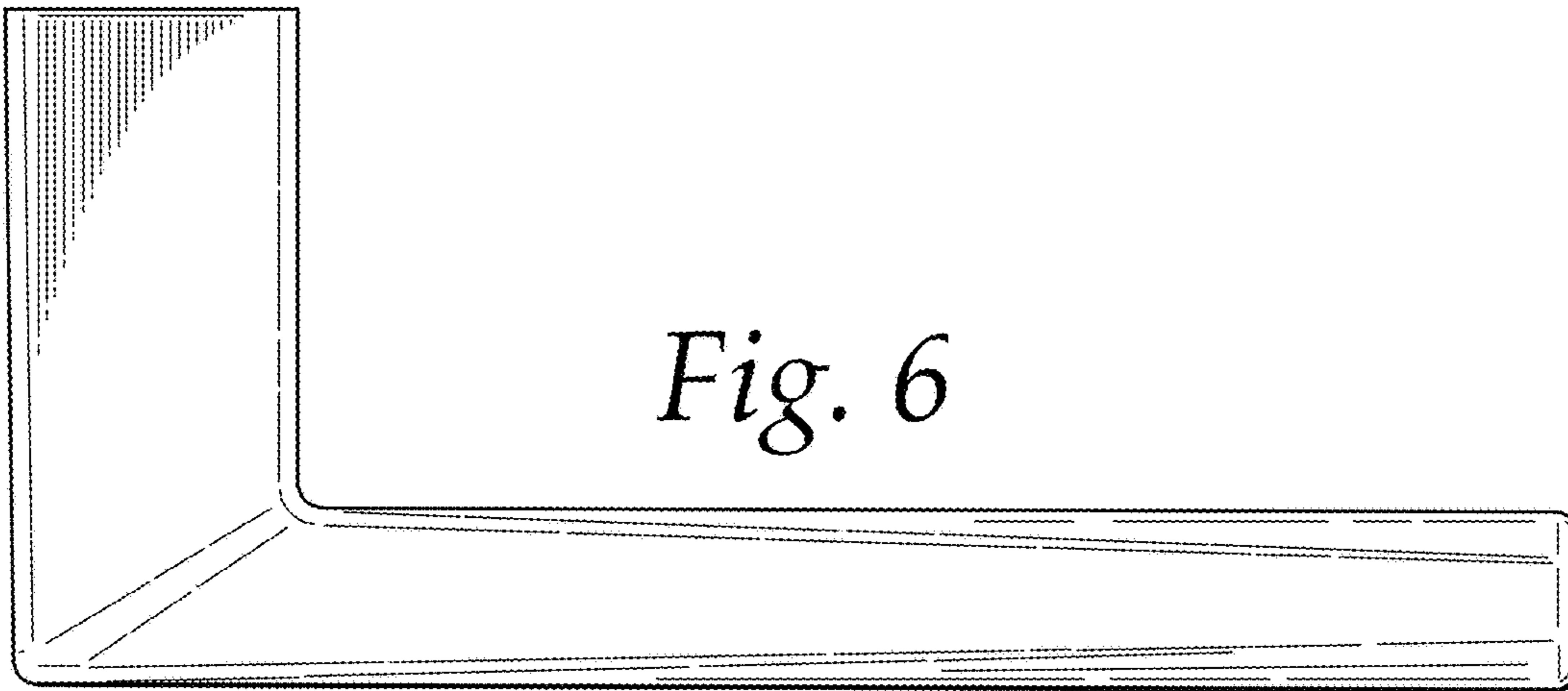


Fig. 6

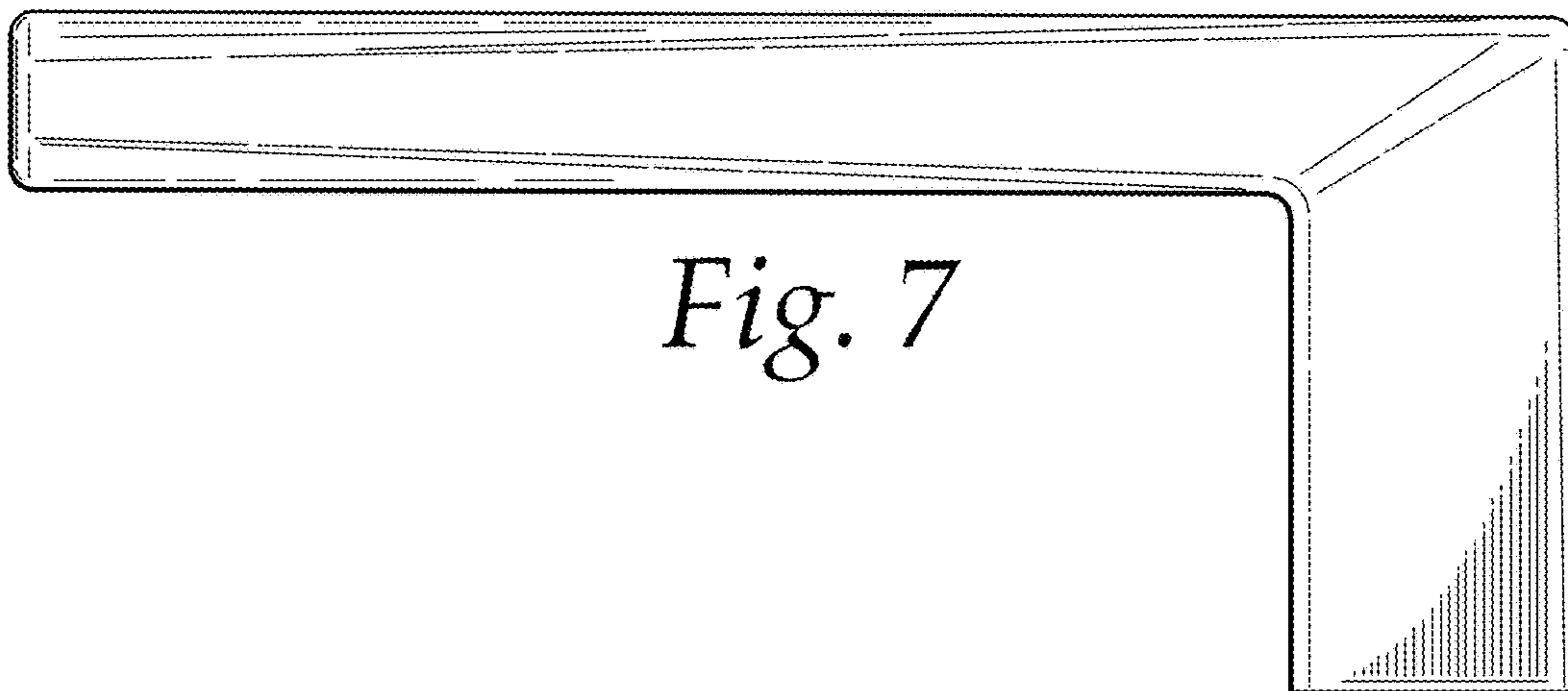


Fig. 7