



US00D806506S

(12) **United States Design Patent** (10) **Patent No.:** **US D806,506 S**
Shah (45) **Date of Patent:** **** Jan. 2, 2018**

(54) **DOOR HANDLE WITH RECESS**
(71) Applicant: **ARCHITECTURAL BUILDERS
HARDWARE MFG., INC.,** Itasca, IL
(US)
(72) Inventor: **Kirti Shah,** South Barrington, IL (US)
(73) Assignee: **ARCHITECTURAL BUILDERS
HARDWARE MFG., INC.,** Itasca, IL
(US)

292/1075; Y10T 292/0844; Y10T
292/0806; Y10T 70/7305; Y10T
292/0917; Y10T 70/5389; Y10T
292/0857; Y10T 292/1041; Y10S 292/27;
Y10S 16/30; Y10S 292/31; Y10S 292/23;
Y10S 292/53; Y10S 292/30; E05B 85/10

See application file for complete search history.

(**) Term: **15 Years**
(21) Appl. No.: **29/547,883**
(22) Filed: **Dec. 8, 2015**
(51) **LOC (11) Cl.** **08-06**
(52) **U.S. Cl.**
USPC **D8/308**
(58) **Field of Classification Search**

USPC D8/300-302, 306-308, DIG. 10;
D23/250, 252; 292/336.3, DIG. 27;
74/523, 543; 70/91, 192, 201, 206, 207,
70/209, 210, 215; 16/110.1, 412, 416,
16/DIG. 30
CPC . Y10T 292/57; Y10T 16/44; Y10T 74/20732;
Y10T 16/458; Y10T 70/5765; Y10T
70/5155; Y10T 70/5832; Y10T 70/5889;
Y10T 16/469; Y10T 70/5757; Y10T
292/03; Y10T 74/20396; Y10T 16/4628;
Y10T 74/20864; Y10T 74/2042; Y10T
16/459; Y10T 74/20828; Y10T 292/0971;
Y10T 292/0994; Y10T 292/0974; Y10T
74/20582; Y10T 16/509; Y10T 292/108;
Y10T 292/1059; Y10T 292/097; Y10T
74/2066; Y10T 292/1015; Y10T
292/0839; Y10T 292/102; Y10T 70/5743;
Y10T 292/1022; Y10T 16/462; Y10T
70/5562; Y10T 137/6024; Y10T
292/0949; Y10T 292/1053; Y10T 70/569;
Y10T 292/0837; Y10T 292/0932; Y10T

(56) **References Cited**

U.S. PATENT DOCUMENTS

D79,983 S	11/1929	Raymond	
1,773,693 A	8/1930	Stirrup	
2,010,492 A	8/1935	Karre	
D144,234 S	3/1946	Blackwood	
D166,862 S *	5/1952	Mason	D8/302
D167,561 S *	8/1952	Dailey et al.	D8/308
2,690,921 A	10/1954	Braun	
D181,822 S *	12/1957	Taubman	D8/308
3,107,113 A	10/1963	Sconzo	
3,495,862 A *	2/1970	McClintock	E05C 1/10 292/173
4,131,002 A	12/1978	Gianelo	

(Continued)

Primary Examiner — Lauren Calve

(74) *Attorney, Agent, or Firm* — Greer, Burns & Crain,
Ltd.

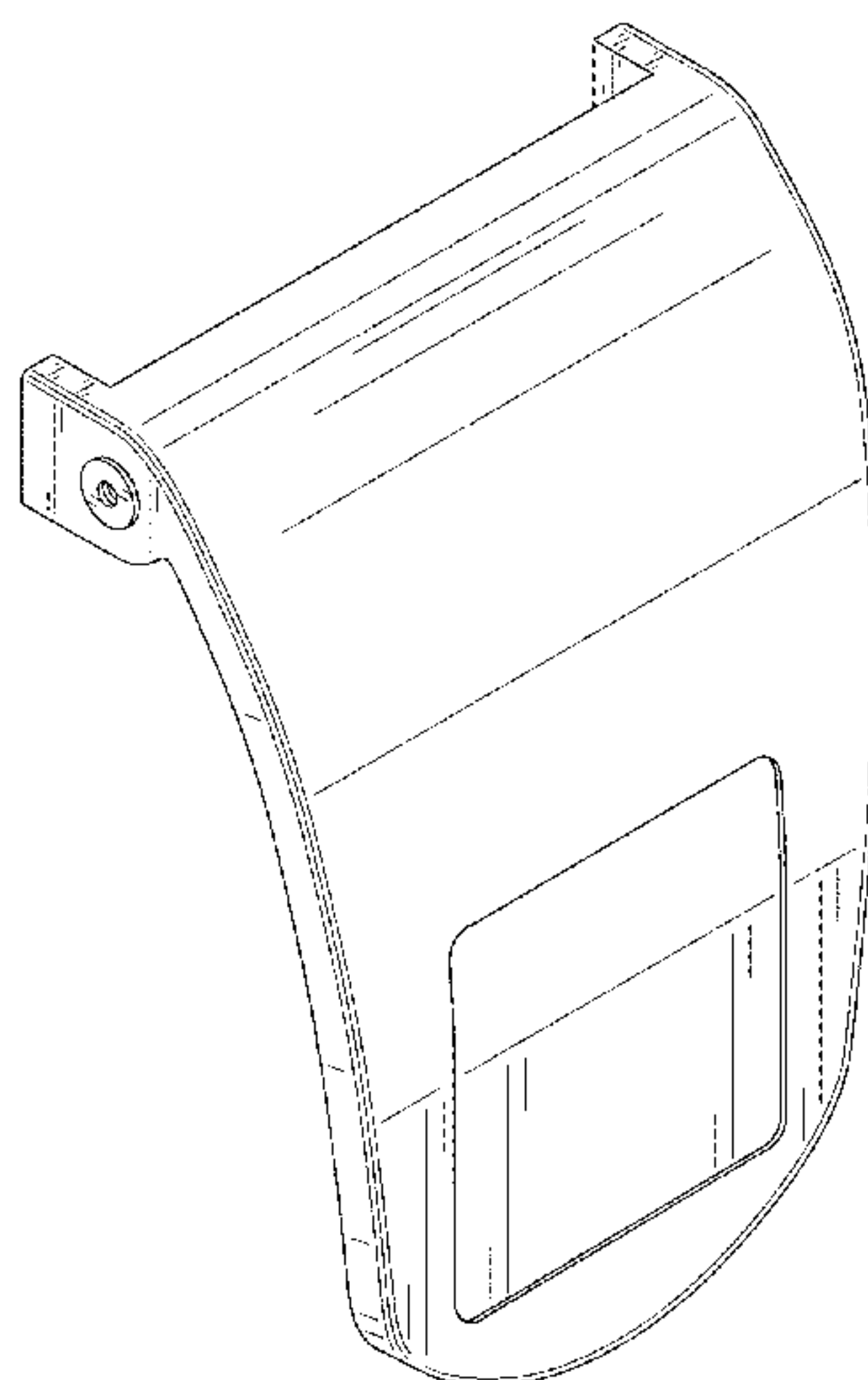
(57) **CLAIM**

The ornamental design for a door handle with recess, as
shown and described.

DESCRIPTION

FIG. 1 is a top perspective of a door handle with recess;
FIG. 2 is a front elevation view thereof;
FIG. 3 is a rear elevation view thereof;
FIG. 4 is a left elevation view thereof;
FIG. 5 is a right elevation view thereof;
FIG. 6 is a top view thereof; and,
FIG. 7 is a bottom plan view thereof.

1 Claim, 7 Drawing Sheets



(56)

References Cited

U.S. PATENT DOCUMENTS

4,270,668 A *	6/1981	Berfield	A47L 9/00 220/324	D466,392 S	12/2002	Halajko	
4,343,501 A	8/1982	Meeks		D479,682 S	9/2003	Frolov et al.	
4,986,583 A	1/1991	Campbell et al.		6,733,050 B1	5/2004	Yao	
D315,486 S	3/1991	Pierce		D498,405 S *	11/2004	Weinerman	D8/306
5,011,202 A	4/1991	Kato et al.		D502,859 S	3/2005	Peng et al.	
D331,859 S *	12/1992	Kahl	D7/393	D512,899 S	12/2005	Oskamp et al.	
D347,155 S	5/1994	Schlack et al.		D521,352 S	5/2006	Gist	
D352,963 S	11/1994	Siler		7,083,205 B2 *	8/2006	Hall	E05B 63/14 292/175
5,413,391 A	5/1995	Clavin et al.		D545,172 S	6/2007	Kaiser et al.	
5,475,996 A	12/1995	Chen		D584,594 S	1/2009	Marko	
D365,976 S	1/1996	Chiu		D630,488 S	1/2011	Tieu et al.	
D382,462 S	8/1997	Arthurs et al.		D635,439 S	4/2011	Barton	
D384,570 S	10/1997	Edwards		D643,278 S	8/2011	Fidali et al.	
D394,097 S *	5/1998	Nivin	D8/313	D645,331 S	9/2011	Lin	
5,829,801 A	11/1998	Tindall		D653,932 S *	2/2012	Christie	D8/302
5,881,585 A	3/1999	Kang		D677,553 S	3/2013	Shah et al.	
5,987,945 A	11/1999	Ruano Aramburu		D682,068 S	5/2013	Pulford, Jr. et al.	
D424,406 S	5/2000	Frey		D696,095 S *	12/2013	Kim	D8/331
6,061,883 A *	5/2000	Uehara	A44B 11/263 24/615	D700,039 S	2/2014	Kim et al.	
D429,903 S	8/2000	Iannaccone		D722,855 S *	2/2015	Shah	D8/302
6,109,669 A *	8/2000	Pinkow	E05C 1/145 292/175	D722,856 S	2/2015	Shah et al.	
D433,920 S	11/2000	Chang		D743,773 S	11/2015	Shah et al.	
6,145,352 A *	11/2000	Vickers	E05B 5/00 292/DIG. 31	D756,194 S *	5/2016	Brown	D8/308
6,378,344 B1	4/2002	Gartner		2015/0159399 A1 *	6/2015	Shah	E05B 7/00 292/336.3
				2015/0211253 A1 *	7/2015	Shah	E05B 7/00 292/336.3
				2015/0225979 A1 *	8/2015	Garofoli	E05B 63/042 292/336.3

* cited by examiner

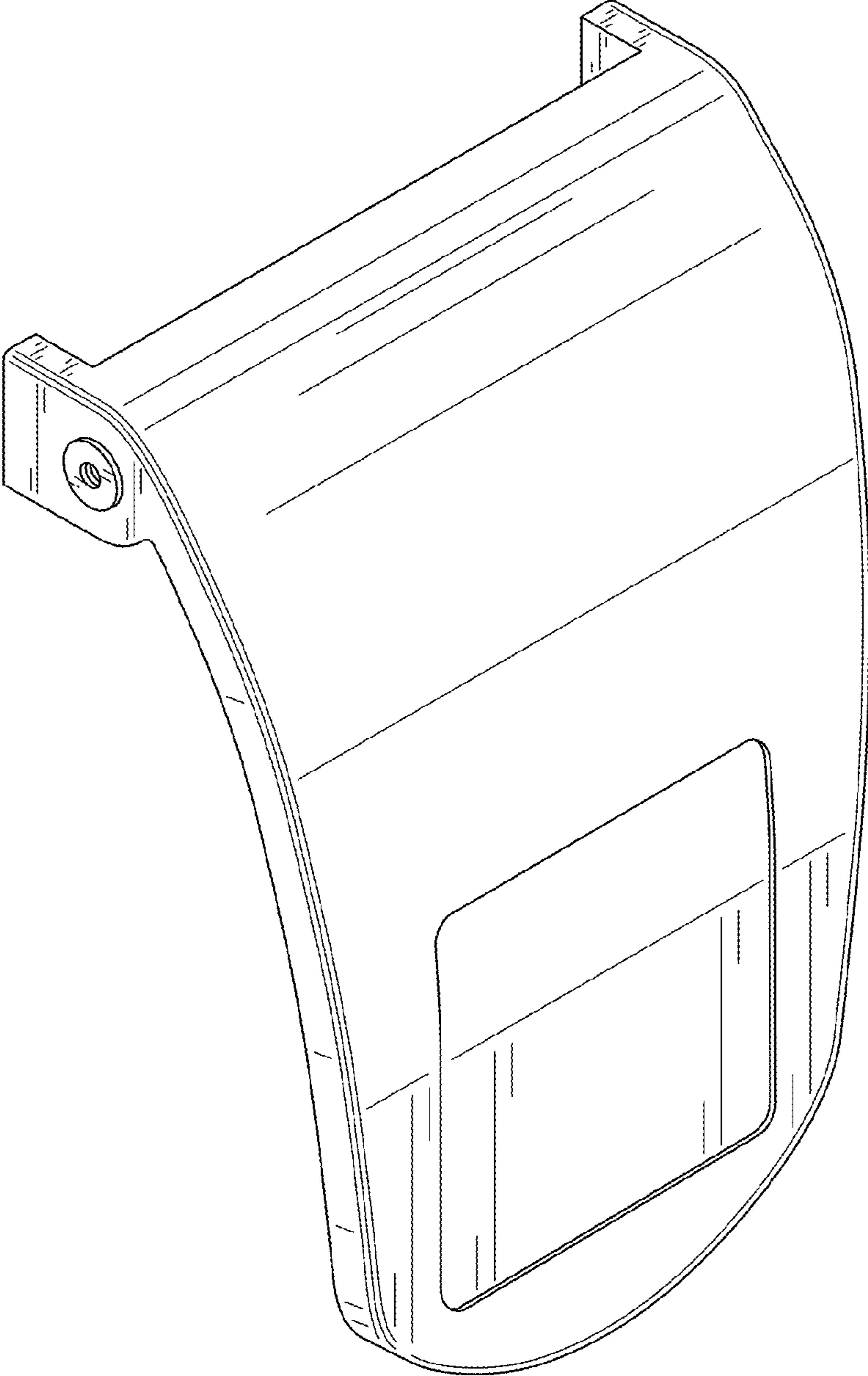


FIG. 1

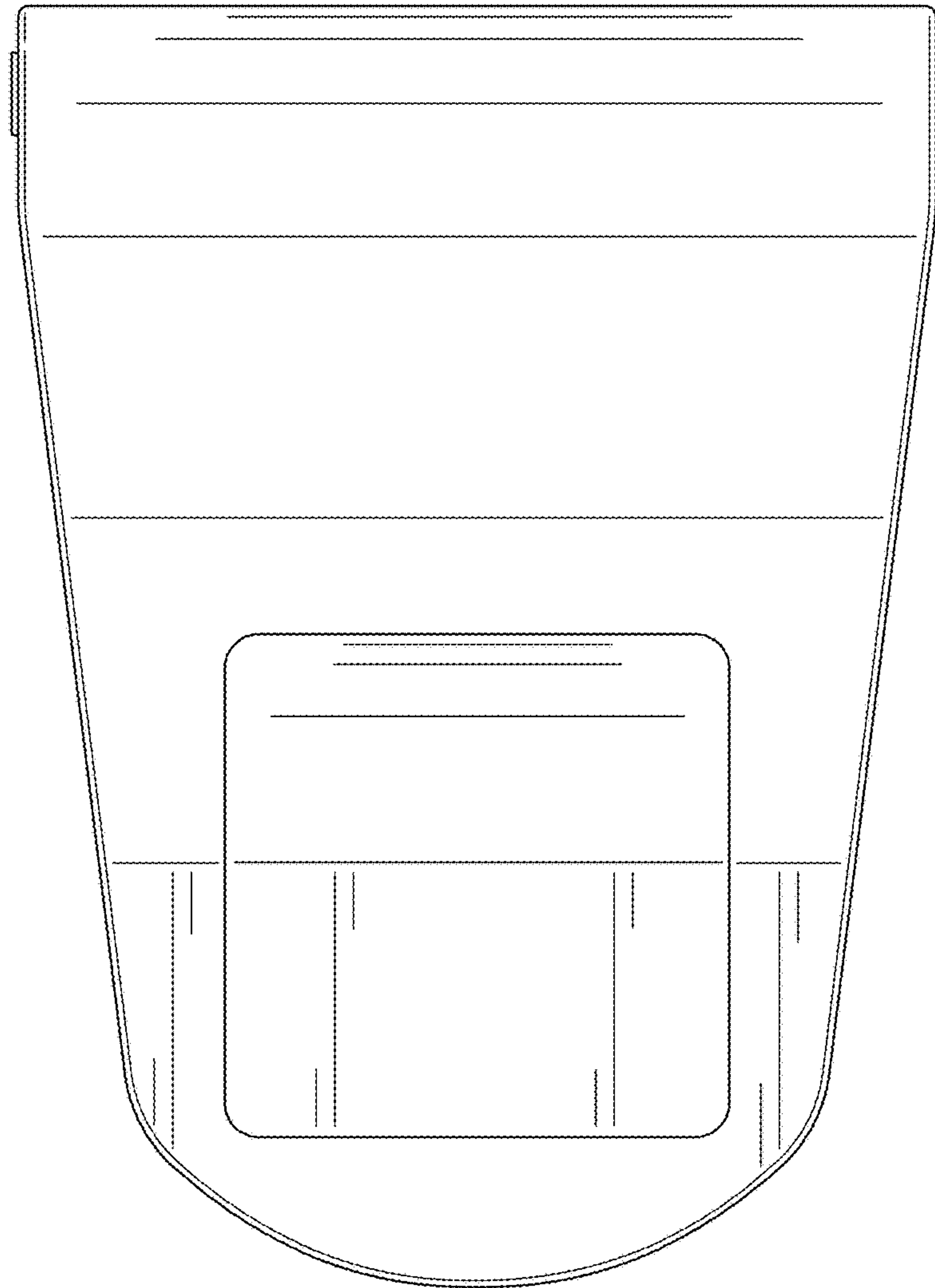


FIG. 2

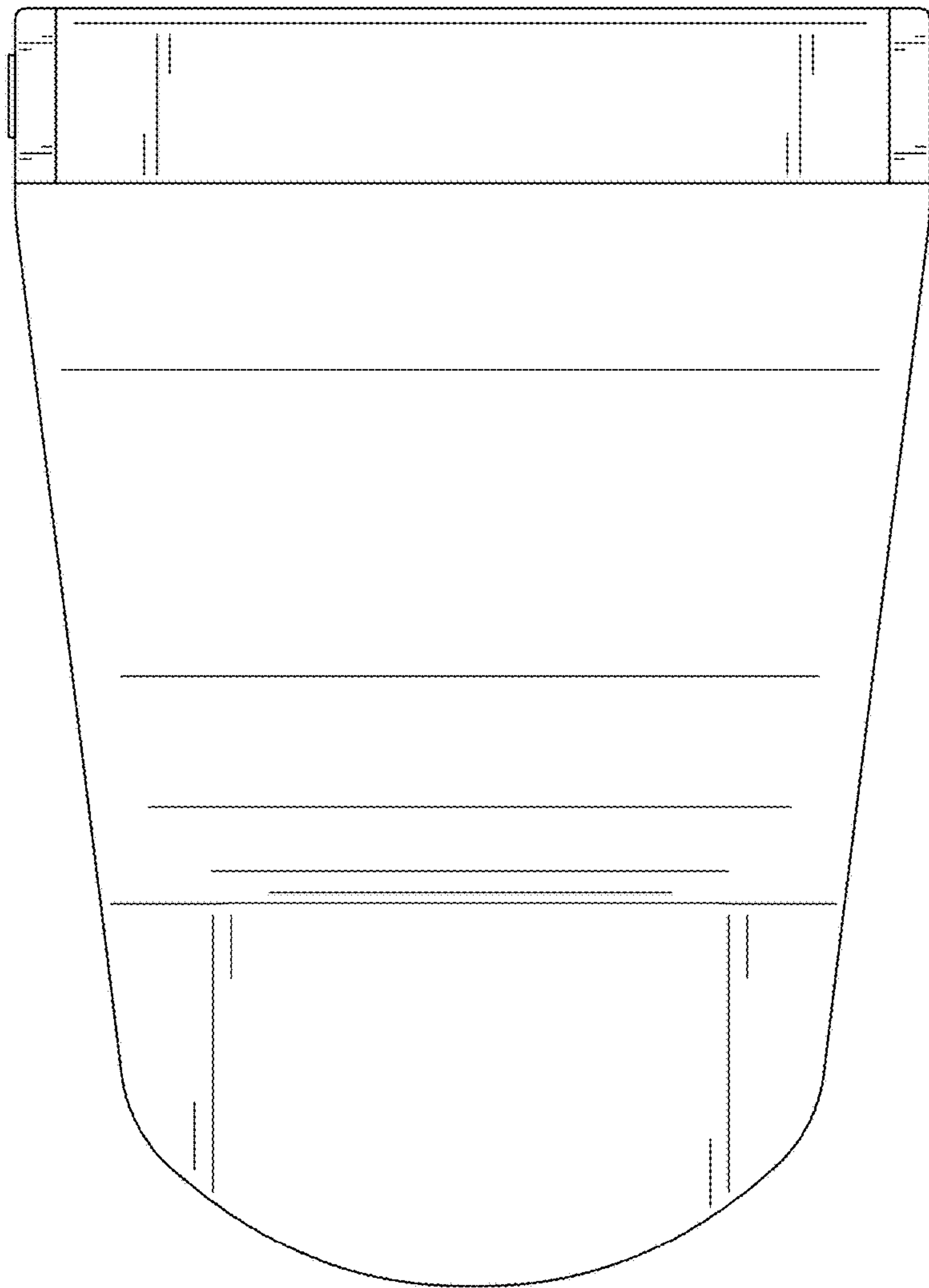


FIG. 3

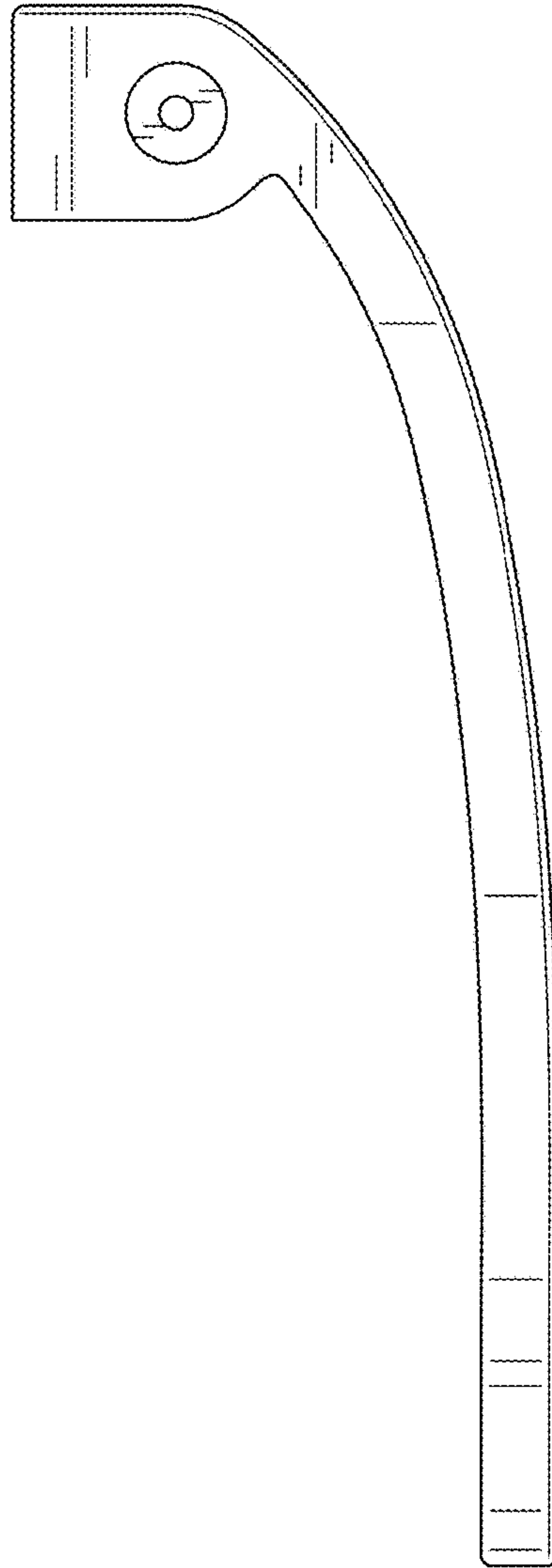


FIG. 4

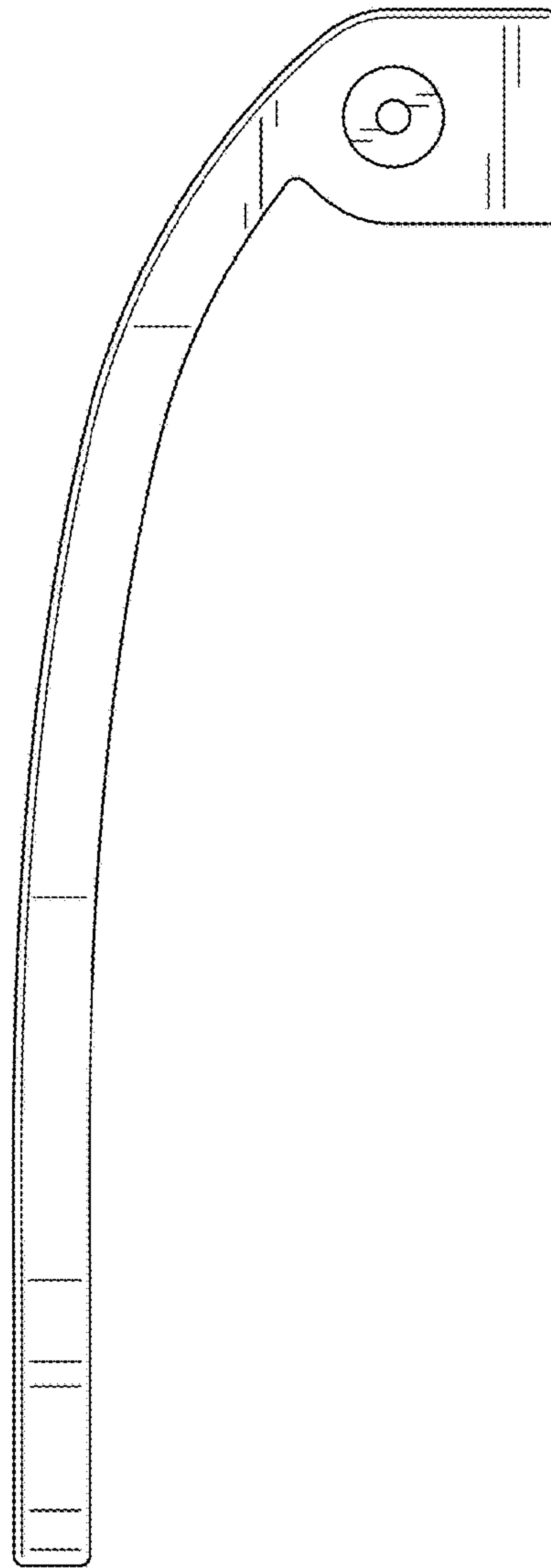


FIG. 5

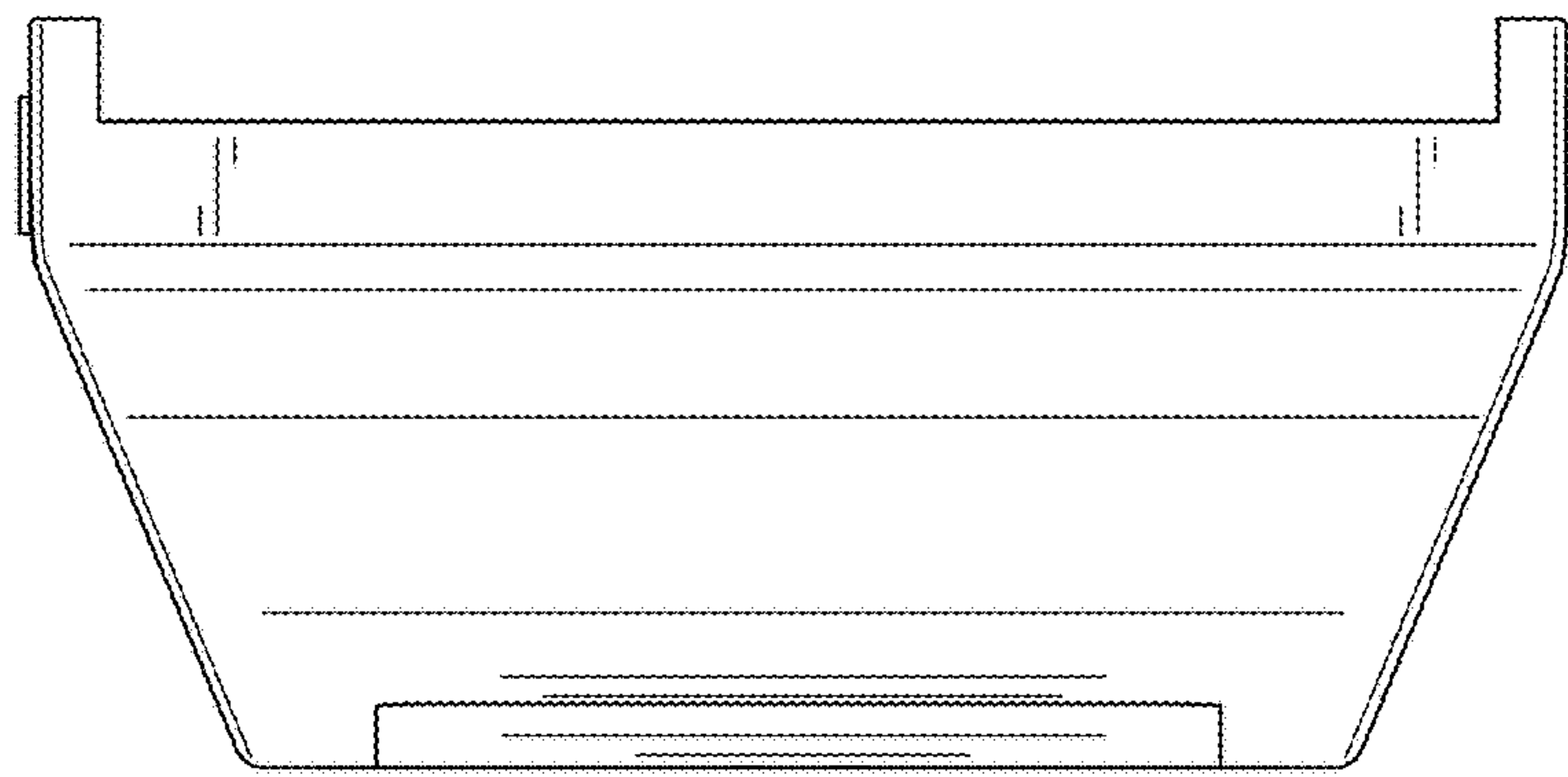


FIG. 6

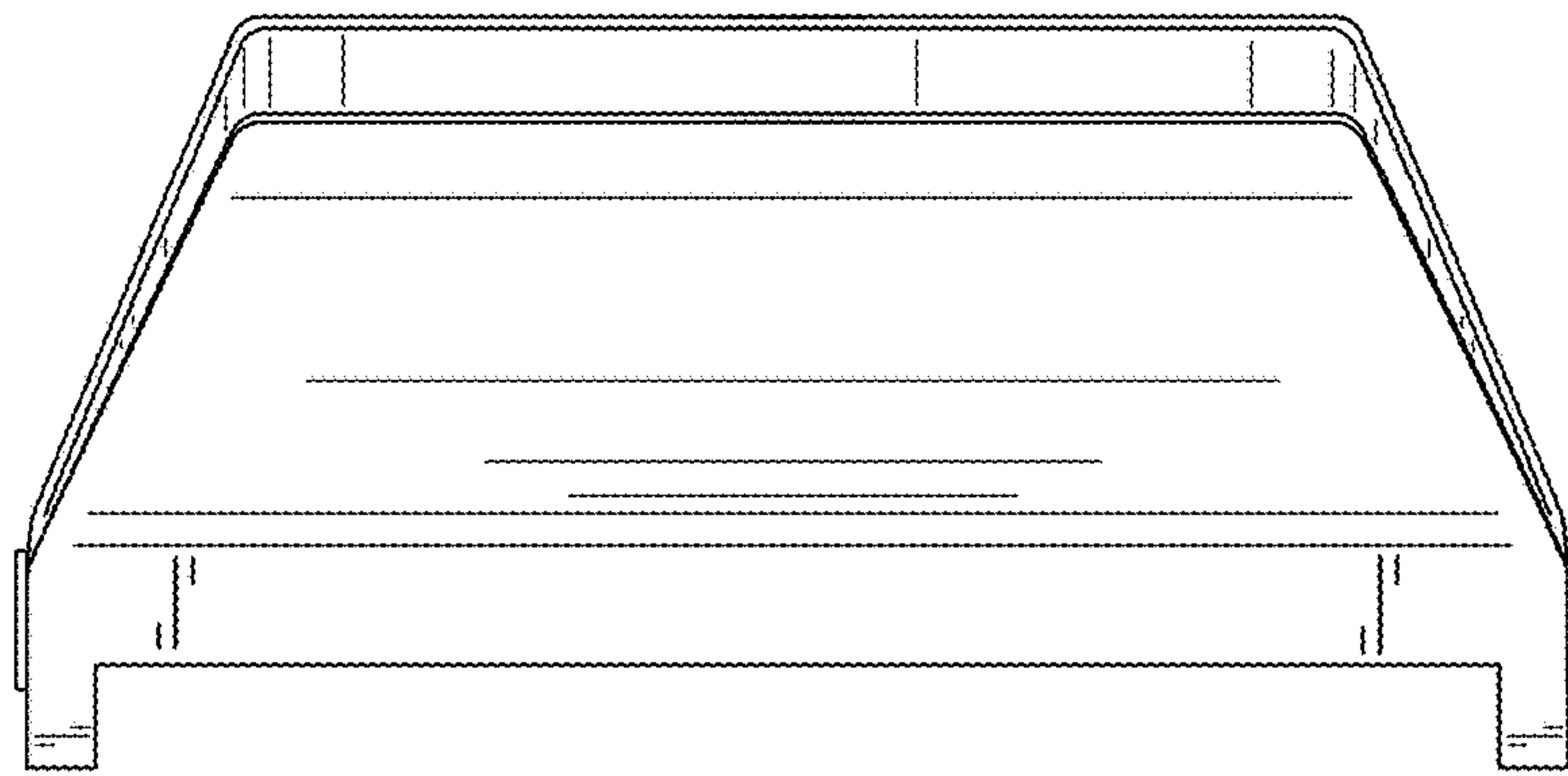


FIG. 7