



US00D806505S

(12) **United States Design Patent** (10) **Patent No.:** **US D806,505 S**
Linares (45) **Date of Patent:** **** Jan. 2, 2018**

(54) **THUMB TURN ACTUATOR**

(71) Applicant: **ApexOEM, Inc.**, Fullerton, CA (US)
(72) Inventor: **Rodolfo Linares**, Whittier, CA (US)
(73) Assignee: **ApexOEM, Inc.**, Fullerton, CA (US)
(**) Term: **15 Years**
(21) Appl. No.: **29/538,995**
(22) Filed: **Sep. 10, 2015**
(51) **LOC (11) Cl.** **08-06**
(52) **U.S. Cl.**
USPC **D8/307**
(58) **Field of Classification Search**
USPC D8/107, 300-309, 321, 330, 331, 343,
D8/346, 347, 349; D23/250-254, 264;
16/110.1, 414, 417, 430, 441, 426, 443,
16/DIG. 21, DIG. 40; D21/694; D34/10,
D34/11; D7/393, 394, 548; 70/431, 445,
70/453, 454, 451; 74/553, 554, 555, 556,
74/558, 543; 292/336.3, 347, 348, 349,
292/350
CPC . Y10T 16/476; Y10T 16/466; Y10T 16/4713;
Y10T 16/469; Y10T 16/44; Y10T
74/20828; Y10T 279/17982; Y10T
29/49826; Y10T 74/20732; Y10T
74/20864; Y10T 16/4559; Y10T 408/96;
Y10T 279/17957; Y10T 16/459; Y10T
407/1825; Y10T 74/2078; Y10T
74/20822; Y10T 29/53; Y10T 29/537;
B25G 1/102; B25G 1/00; B25G 1/10;
B25G 3/00; Y10S 16/12; Y10S 16/19;
Y10S 16/906; Y10S 56/18; B26B 3/00;
B26B 5/00; B26B 13/20; B26B 1/10
See application file for complete search history.

(56) **References Cited**

U.S. PATENT DOCUMENTS

4,843,852	A *	7/1989	Foshee	E05B 63/0065 70/367
5,087,090	A *	2/1992	Humphrey	E05B 63/0017 292/150
D451,780	S *	12/2001	Laabs	D8/307
D454,120	S *	3/2002	Sadowski	D13/174
D456,237	S *	4/2002	Sokurenko	D8/306
D484,774	S *	1/2004	Jones	D8/331
D494,839	S *	8/2004	Ford	D8/343
D497,535	S *	10/2004	Ling	D8/333
D498,659	S *	11/2004	Huang	D8/343
D505,058	S *	5/2005	Sykes	D8/331
D546,660	S *	7/2007	Burdett	D8/330
D548,561	S *	8/2007	Paige	D8/302
D565,932	S *	4/2008	Koros	D8/338
D579,317	S *	10/2008	Sykes	D8/338
D760,574	S *	7/2016	Arthurs	D8/307
2010/0171326	A1 *	7/2010	Bacon	E05B 13/108 292/336.3

* cited by examiner

Primary Examiner — Lauren Calve

(74) *Attorney, Agent, or Firm* — Raymond Sun

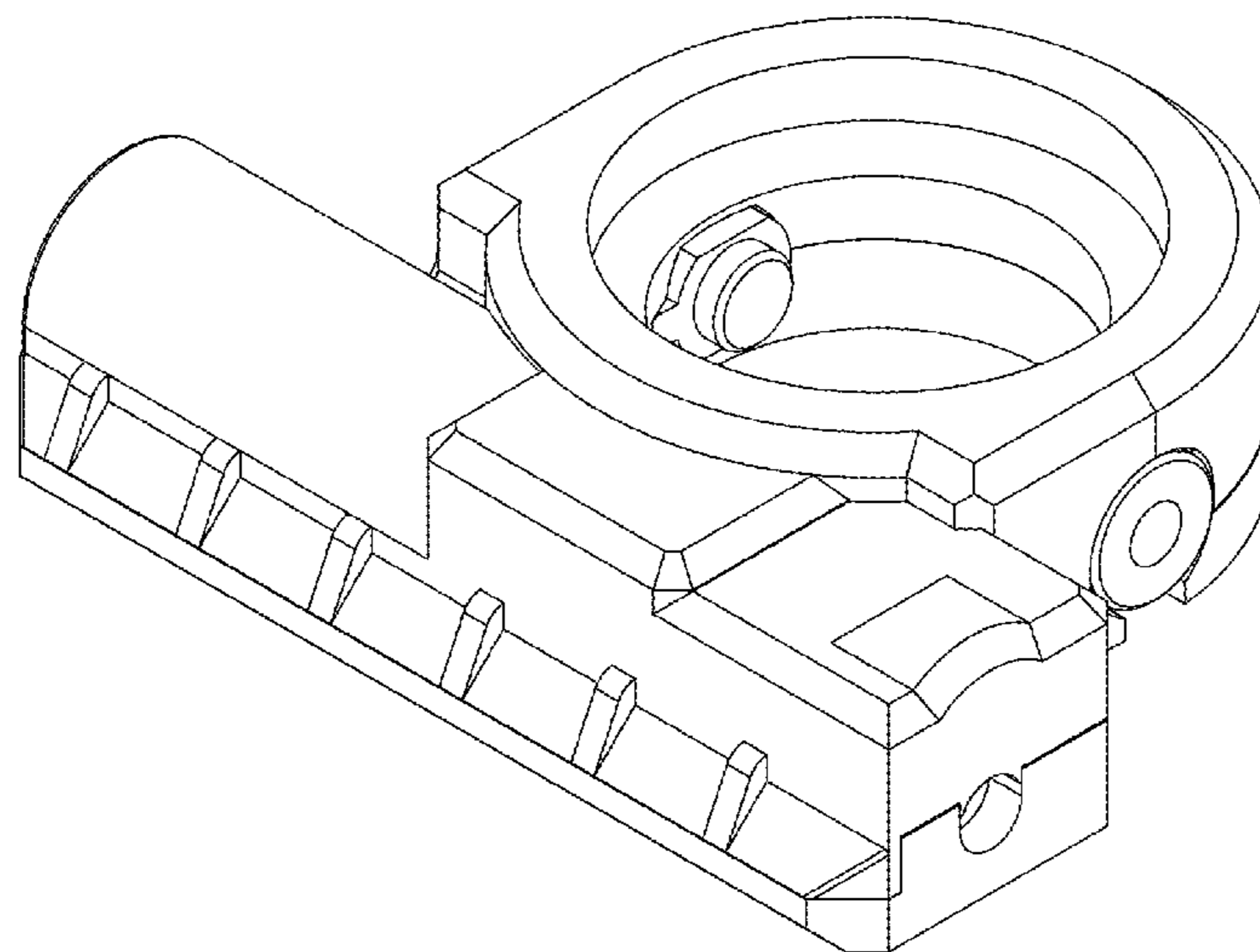
(57) **CLAIM**

The ornamental design for a thumb turn actuator, as shown and described.

DESCRIPTION

FIG. 1 is a perspective view a thumb turn actuator showing my new design.
FIG. 2 is a top view thereof;
FIG. 3 is a bottom view thereof;
FIG. 4 is a front view thereof;
FIG. 5 is rear view thereof;
FIG. 6 is a right view thereof; and,
FIG. 7 is a left view thereof.
The broken lines shown represent unclaimed subject matter and form no part of the claimed design.

1 Claim, 4 Drawing Sheets



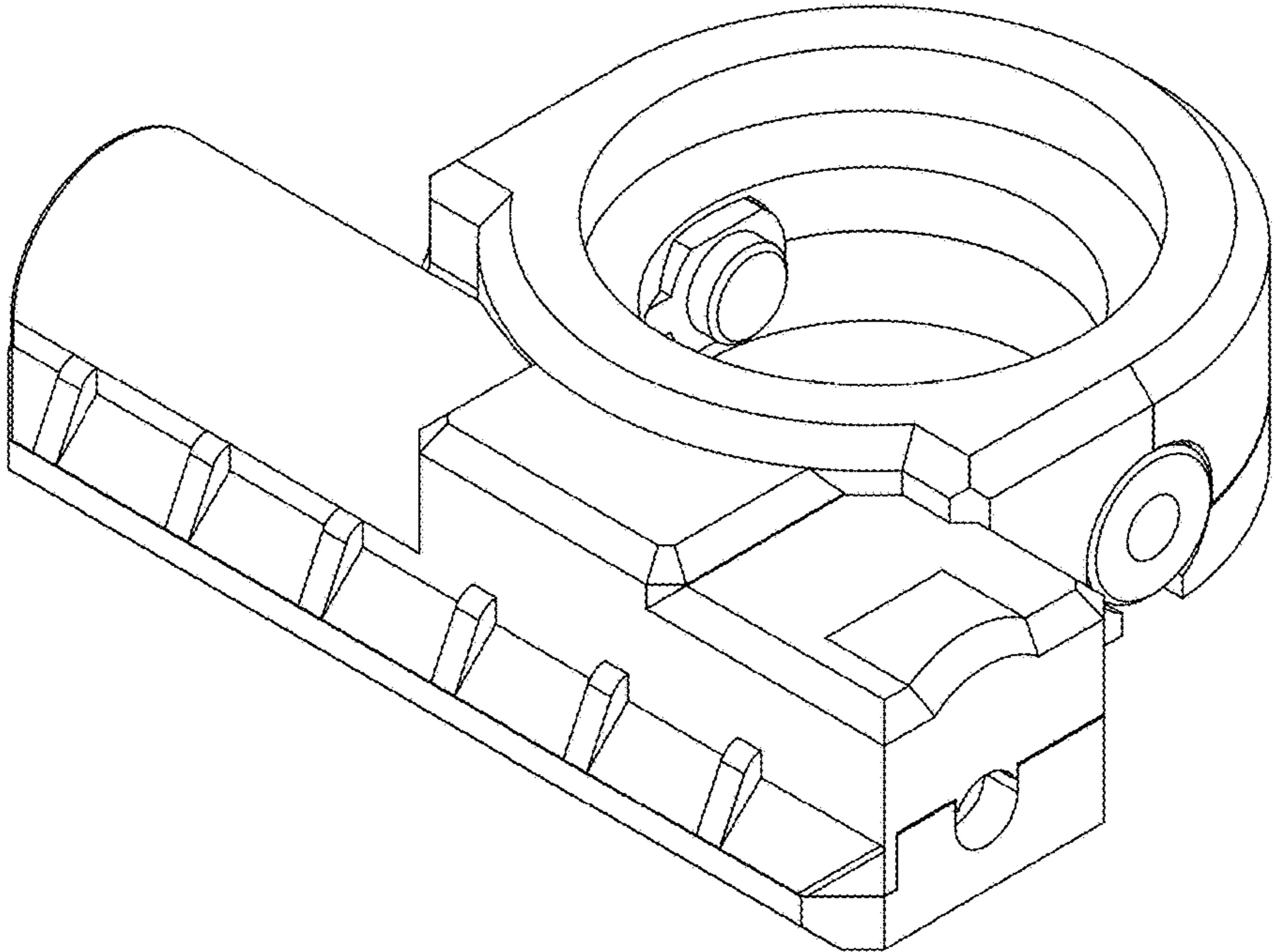


FIG. 1

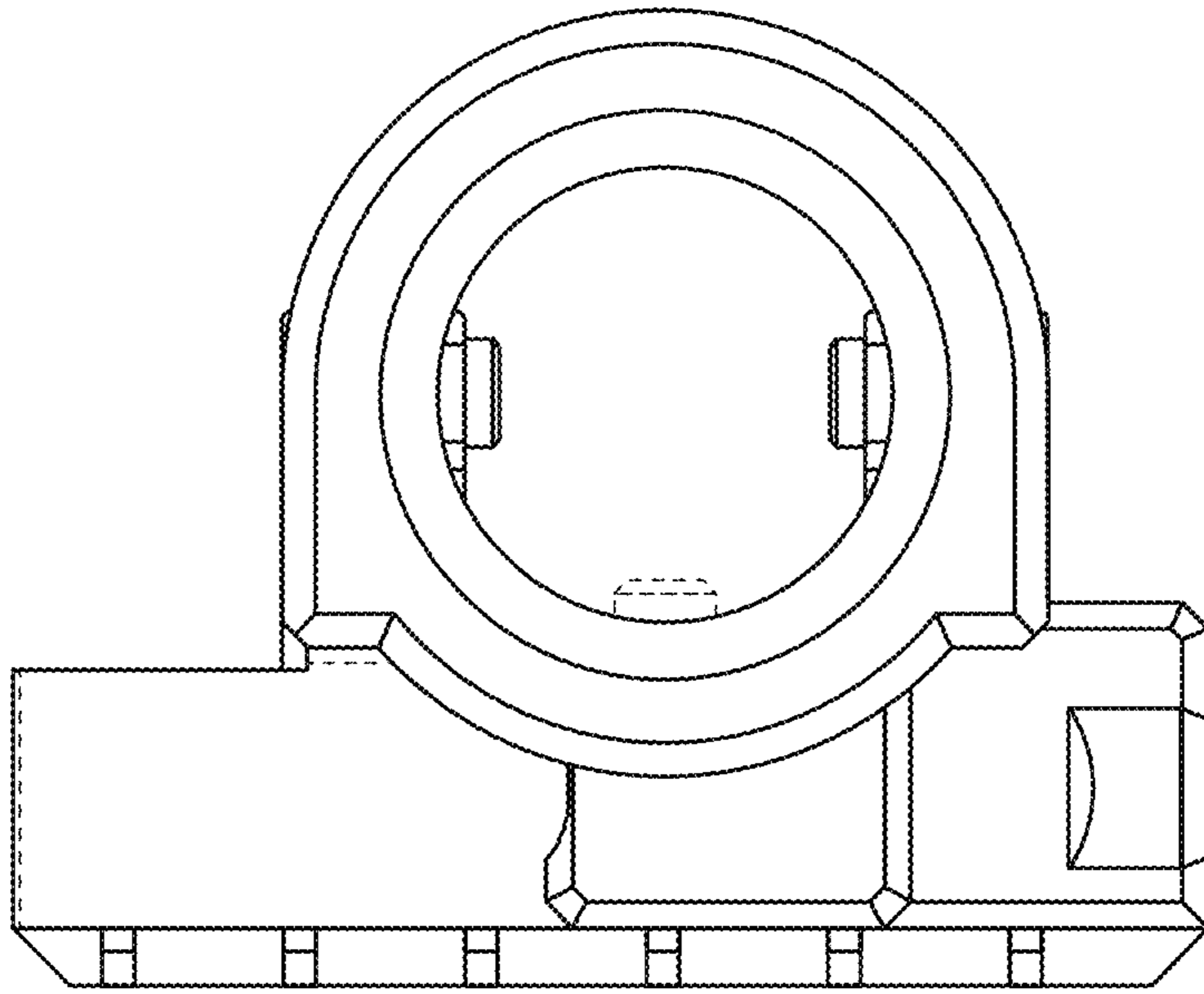


FIG. 2

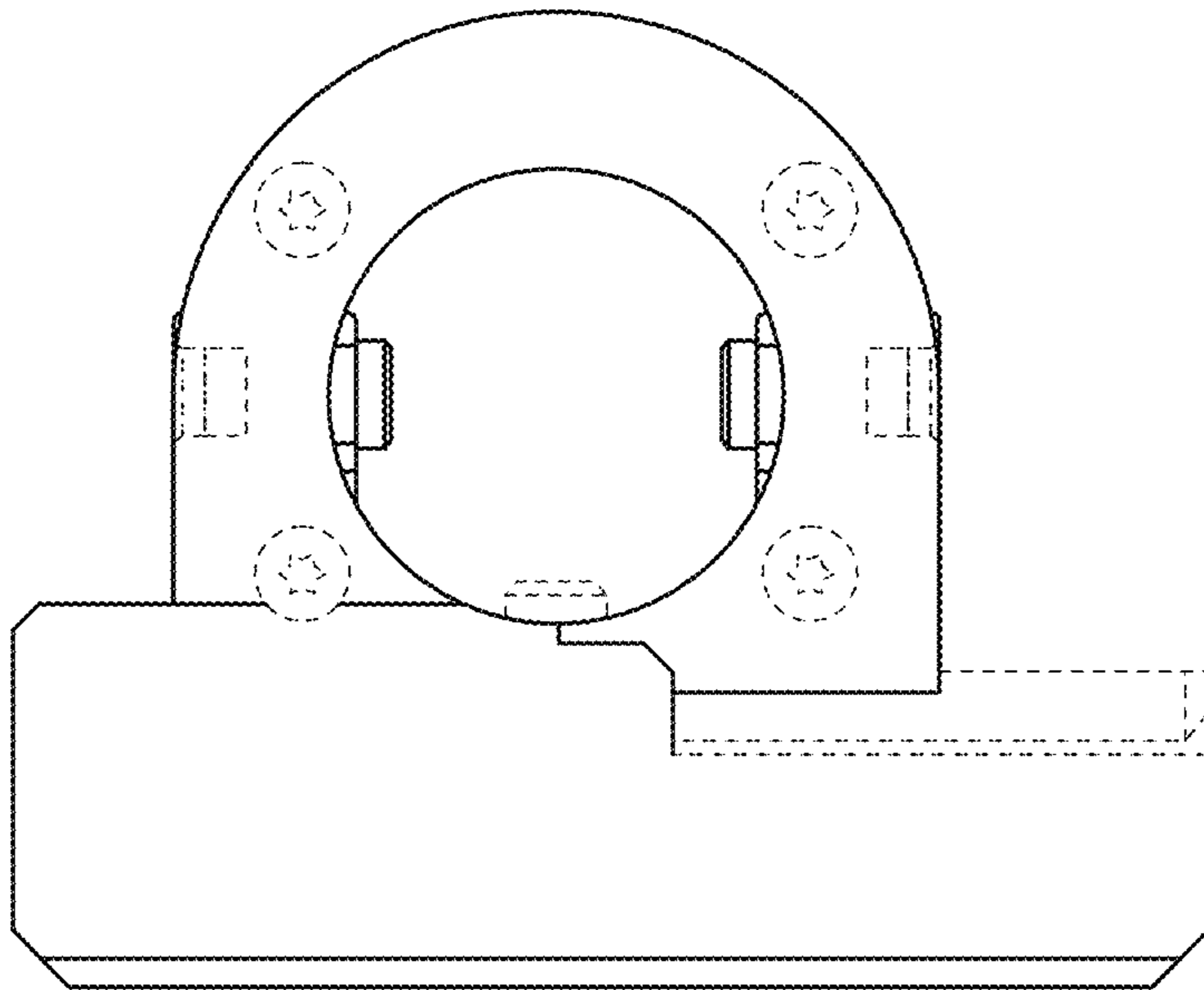


FIG. 3

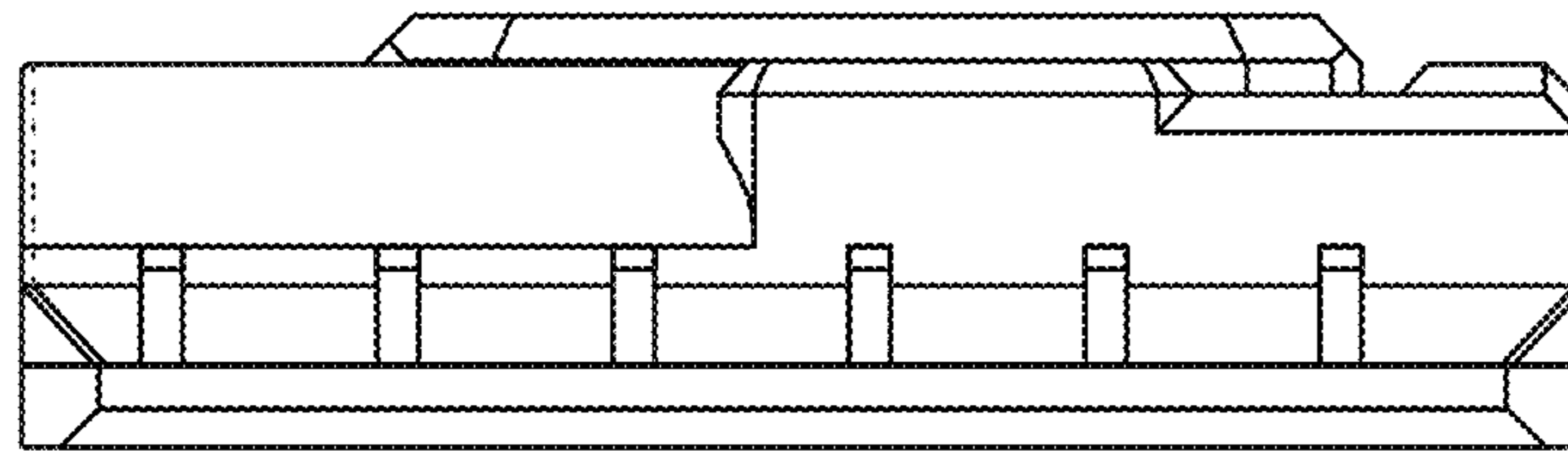


FIG. 4

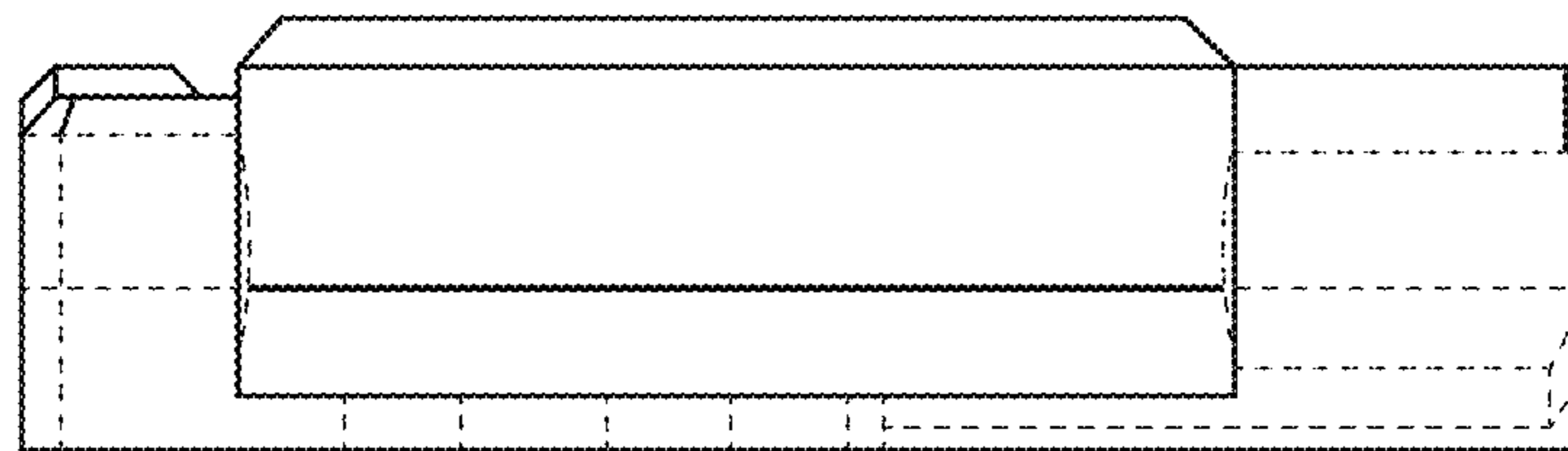


FIG. 5

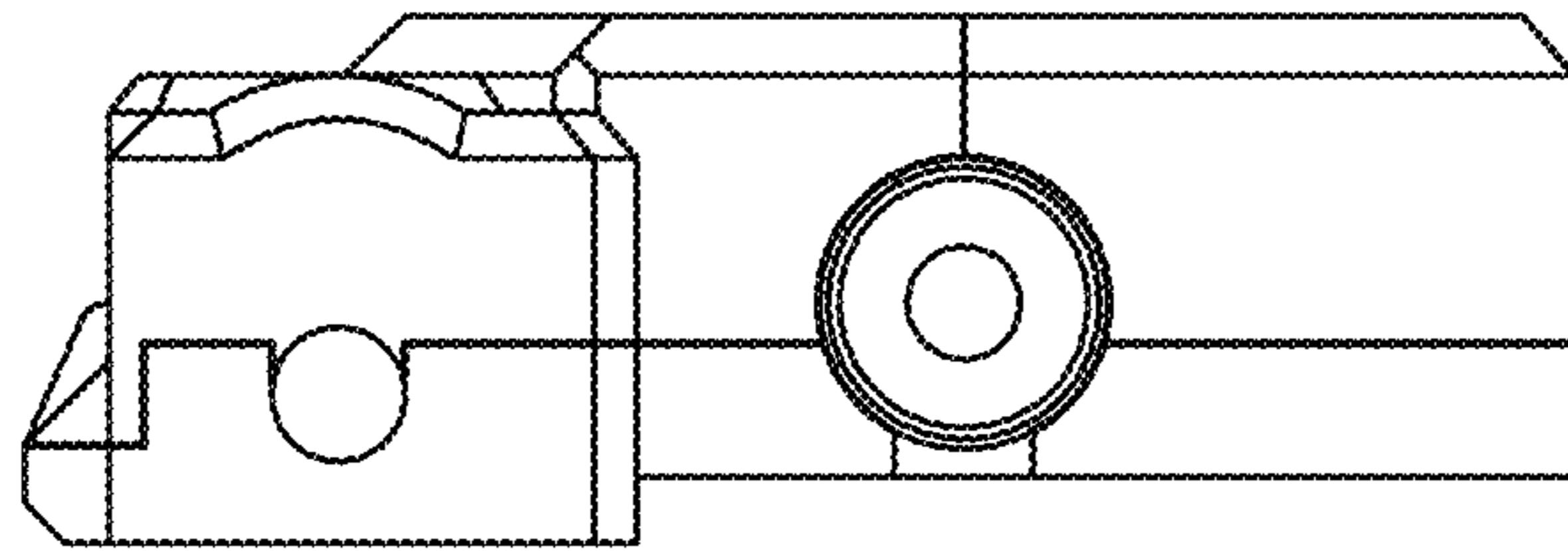


FIG. 6

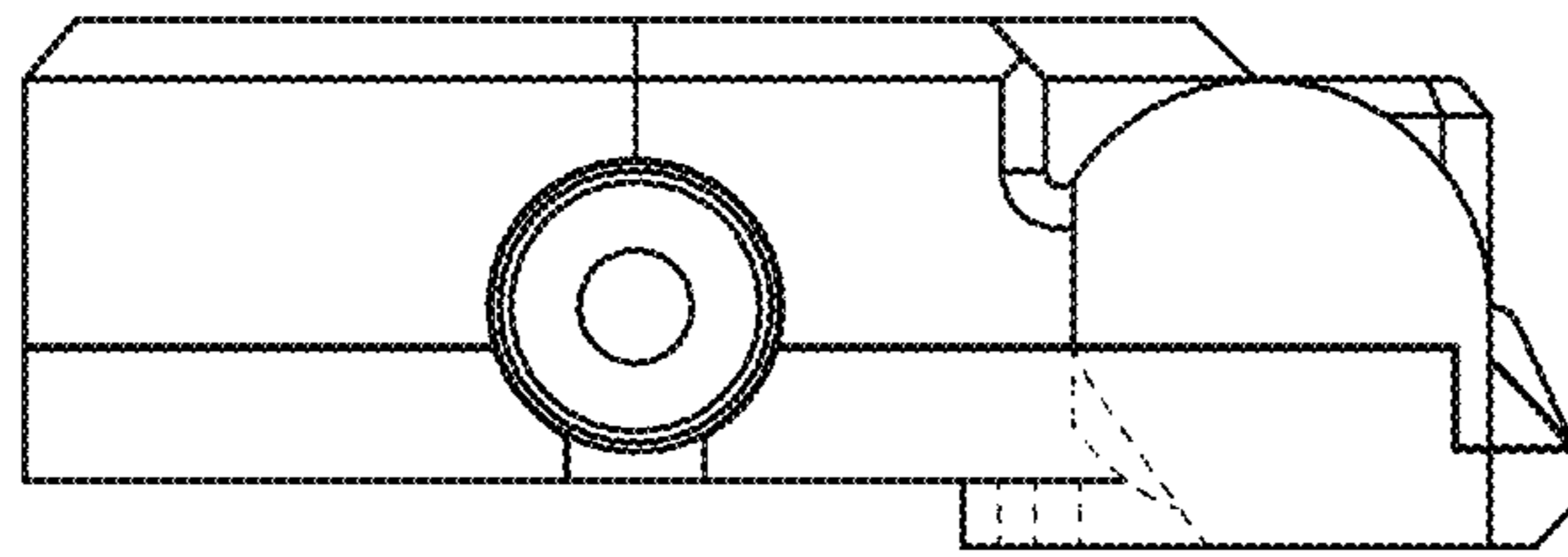


FIG. 7