



US00D806502S

(12) **United States Design Patent**  
**Fink et al.**

(10) **Patent No.:** **US D806,502 S**  
(45) **Date of Patent:** **\*\* Jan. 2, 2018**

- (54) **SECURITY LEVER HANDLE ASSEMBLY**
- (71) Applicant: **FATH, INC.**, Orlando, FL (US)
- (72) Inventors: **Armin Fink**, Ocoee, FL (US); **William Kenneth Williams**, Orlando, FL (US)
- (73) Assignee: **FATH, INC.**, Orlando, FL (US)
- (\*\*) Term: **15 Years**

D629,276	S	*	12/2010	Chelton	.....	D8/302
D634,180	S	*	3/2011	Stuckey	.....	D8/321
D649,003	S	*	11/2011	Stuckey	.....	D8/302
D679,166	S	*	4/2013	Stuckey	.....	D8/302
2008/0141742	A1		6/2008	Stuckey		
2011/0252838	A1*		10/2011	Stuckey	.....	E05B 1/0092 70/20
2013/0106122	A1*		5/2013	Do	.....	B64D 29/06 292/228
2013/0285393	A1*		10/2013	Roatis	.....	E05B 47/0012 292/336.3

- (21) Appl. No.: **29/569,355**
- (22) Filed: **Jun. 27, 2016**
- (51) **LOC (11) Cl.** ..... **08-06**
- (52) **U.S. Cl.**  
USPC ..... **D8/302**
- (58) **Field of Classification Search**  
USPC ..... D8/300-303, 331, 343, 336, 337, 338  
CPC ..... Y10T 292/57; Y10T 70/5761; Y10T  
70/5765; Y10T 70/577; Y10T 70/5774;  
Y10T 292/1047; Y10T 70/5889; Y10T  
16/458; Y10T 292/03; Y10T 70/8541;  
Y10T 70/7107; Y10T 292/0971; Y10T  
70/5155; Y10S 292/31; Y10S 292/53;  
Y10S 292/23; Y10S 292/30; Y10S 70/31;  
E05B 13/002; E05B 77/06; E05B 79/06;  
E05B 85/18; E05B 5/10

FOREIGN PATENT DOCUMENTS

CN	202483251	10/2012
CN	202483252	10/2012

\* cited by examiner

*Primary Examiner* — Lauren Calve  
(74) *Attorney, Agent, or Firm* — Robert L. Wolter;  
Beusse, Wolter, Sanks & Maire PLLC

See application file for complete search history.

(57) **CLAIM**

The ornamental design for a security lever handle assembly, as shown and described.

**DESCRIPTION**

FIG. 1 is a front perspective view of a security lever handle assembly in accordance with the present invention; FIG. 2 is a side view thereof; FIG. 3 is a top plan view thereof; FIG. 4 is a bottom plan view thereof; FIG. 5 is a front perspective view thereof shown in an open position; FIG. 6 is a side view thereof; FIG. 7 is a top plan view thereof; and, FIG. 8 is a bottom plan view thereof. The broken lines shown represent unclaimed subject matter and form no part of the claimed design.

(56) **References Cited**  
U.S. PATENT DOCUMENTS

D343,347	S	1/1994	Lau et al.	
D384,874	S	* 10/1997	Hoffmann	..... D8/338
D411,433	S	6/1999	Swan et al.	
6,174,007	B1	* 1/2001	Schlack	..... E05B 5/00 292/336.3
D585,264	S	* 1/2009	Stuckey	..... D8/320
D593,397	S	* 6/2009	Stuckey	..... D8/320
D595,110	S	* 6/2009	Berstler	..... D8/331
7,665,335	B2	* 2/2010	Stuckey	..... E05B 1/0092 292/336.3

**1 Claim, 6 Drawing Sheets**

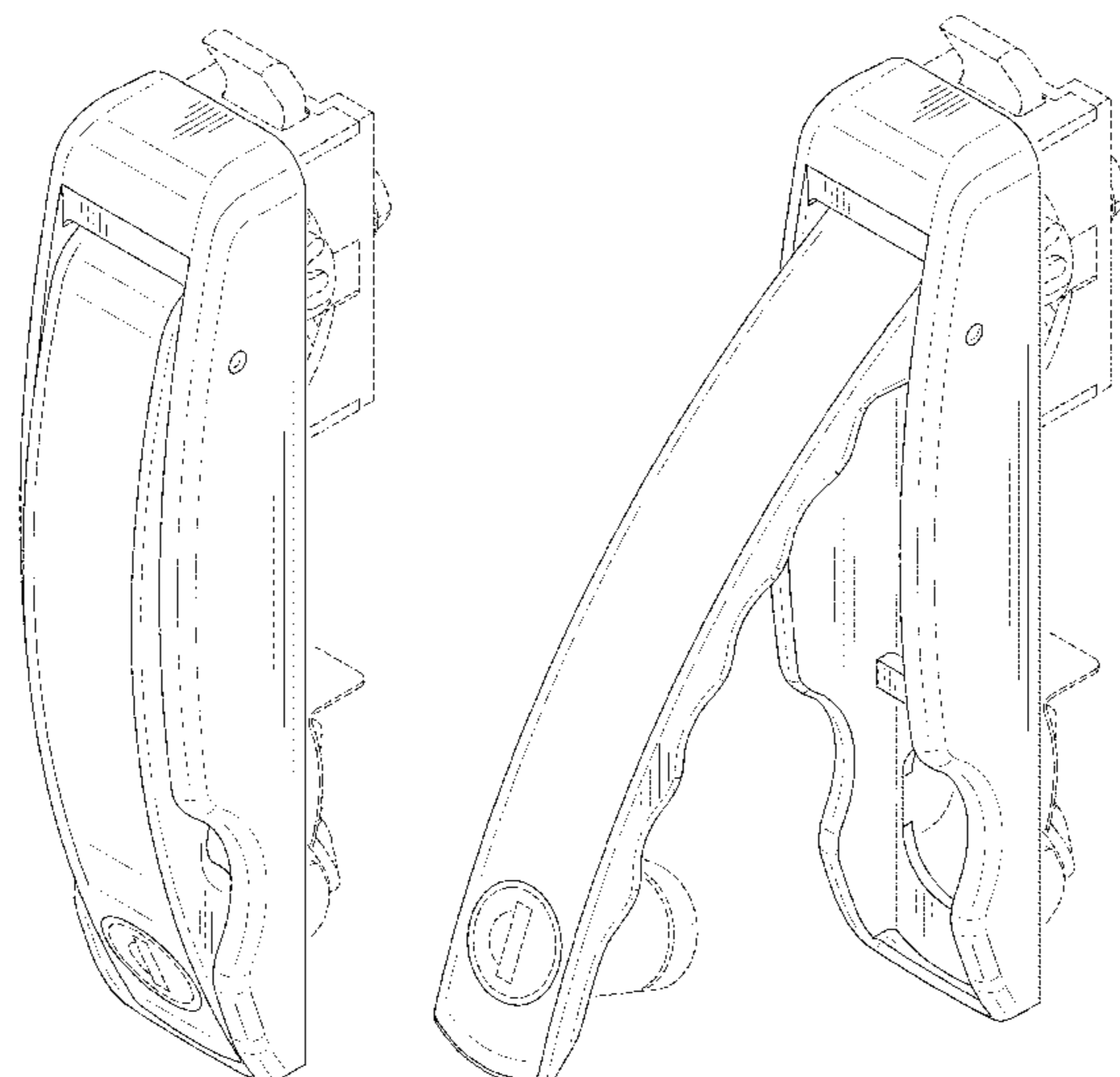


FIG. 1

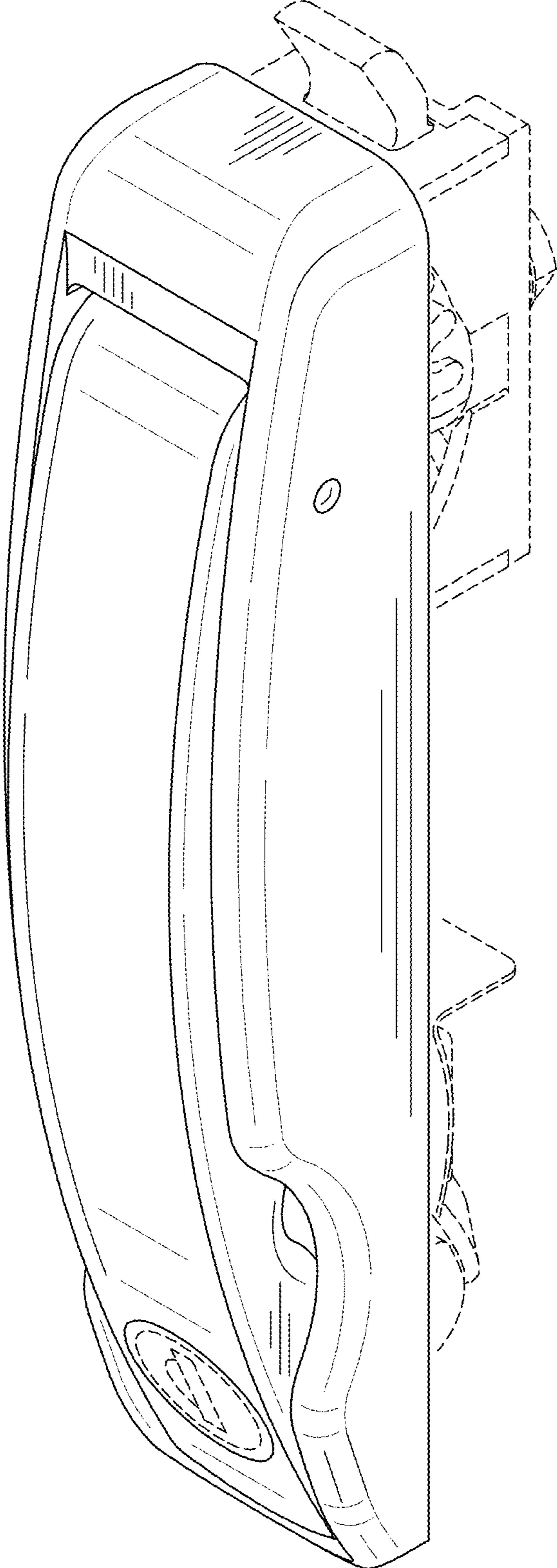


FIG. 2

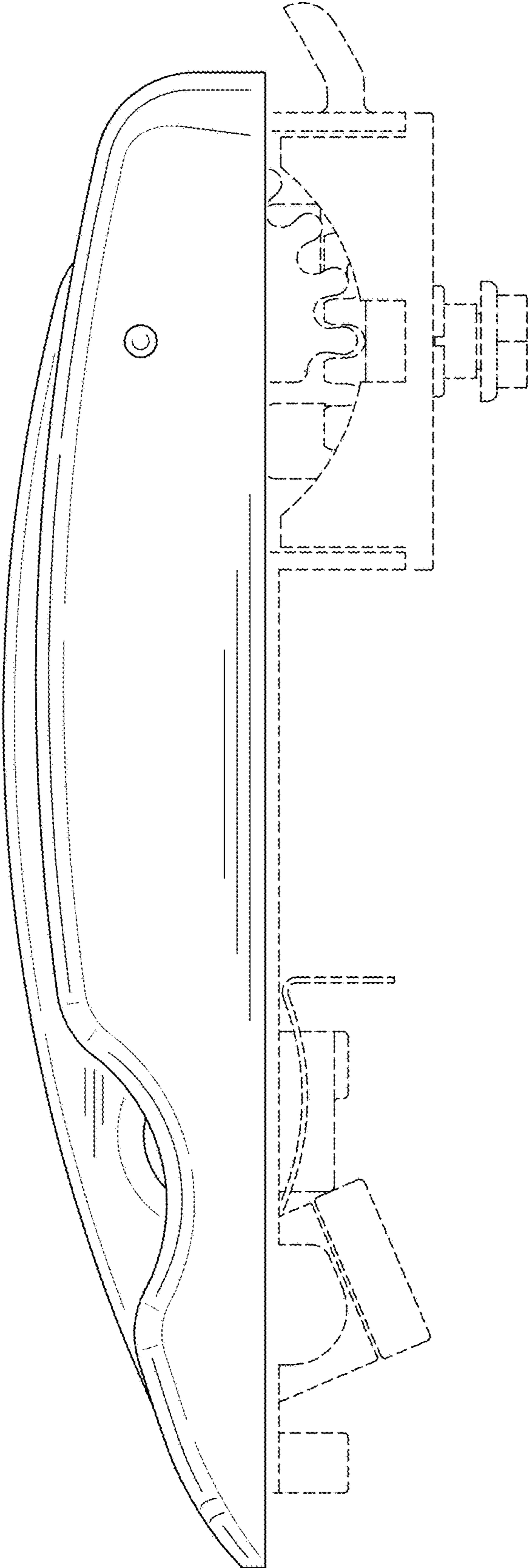


FIG. 3

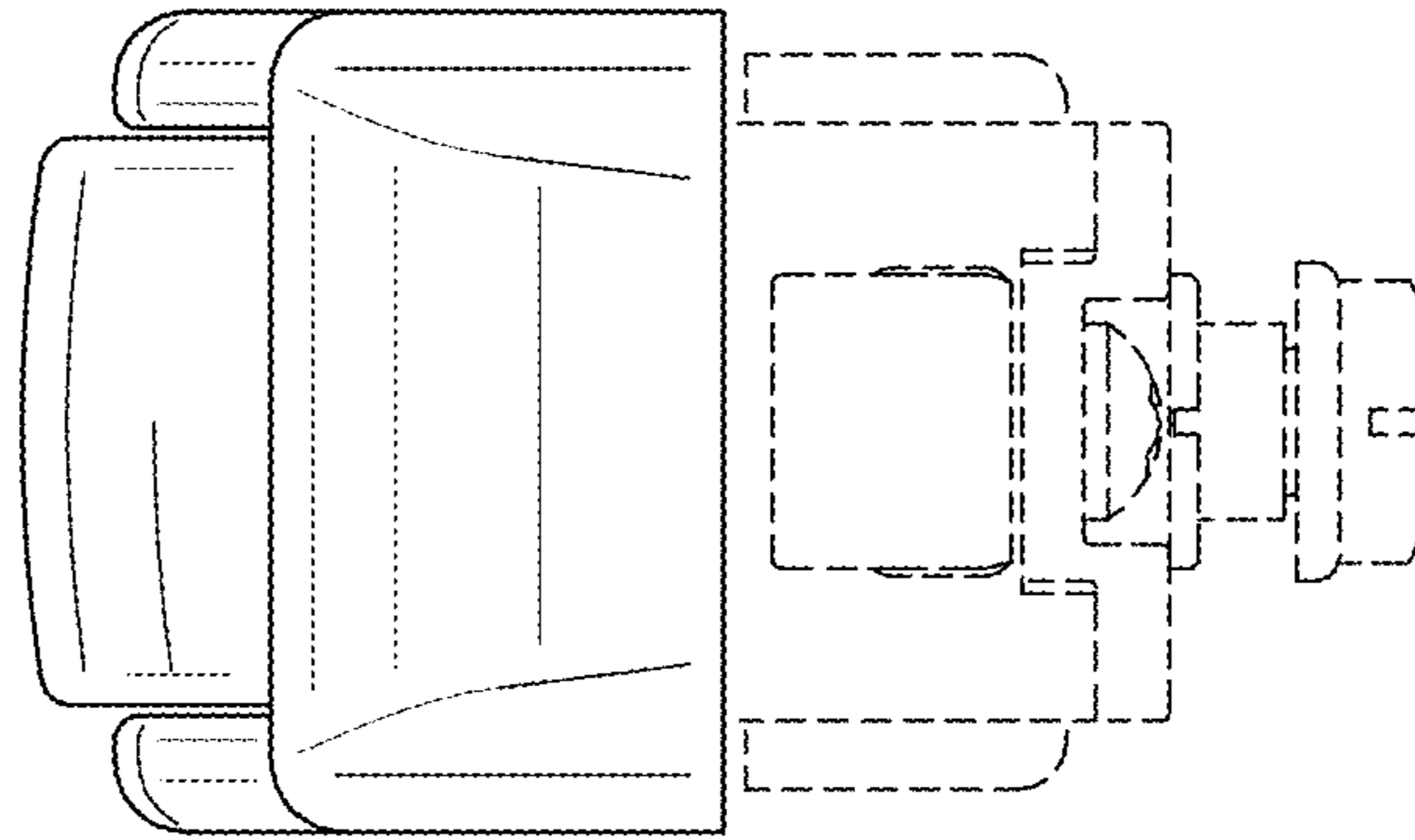


FIG. 4

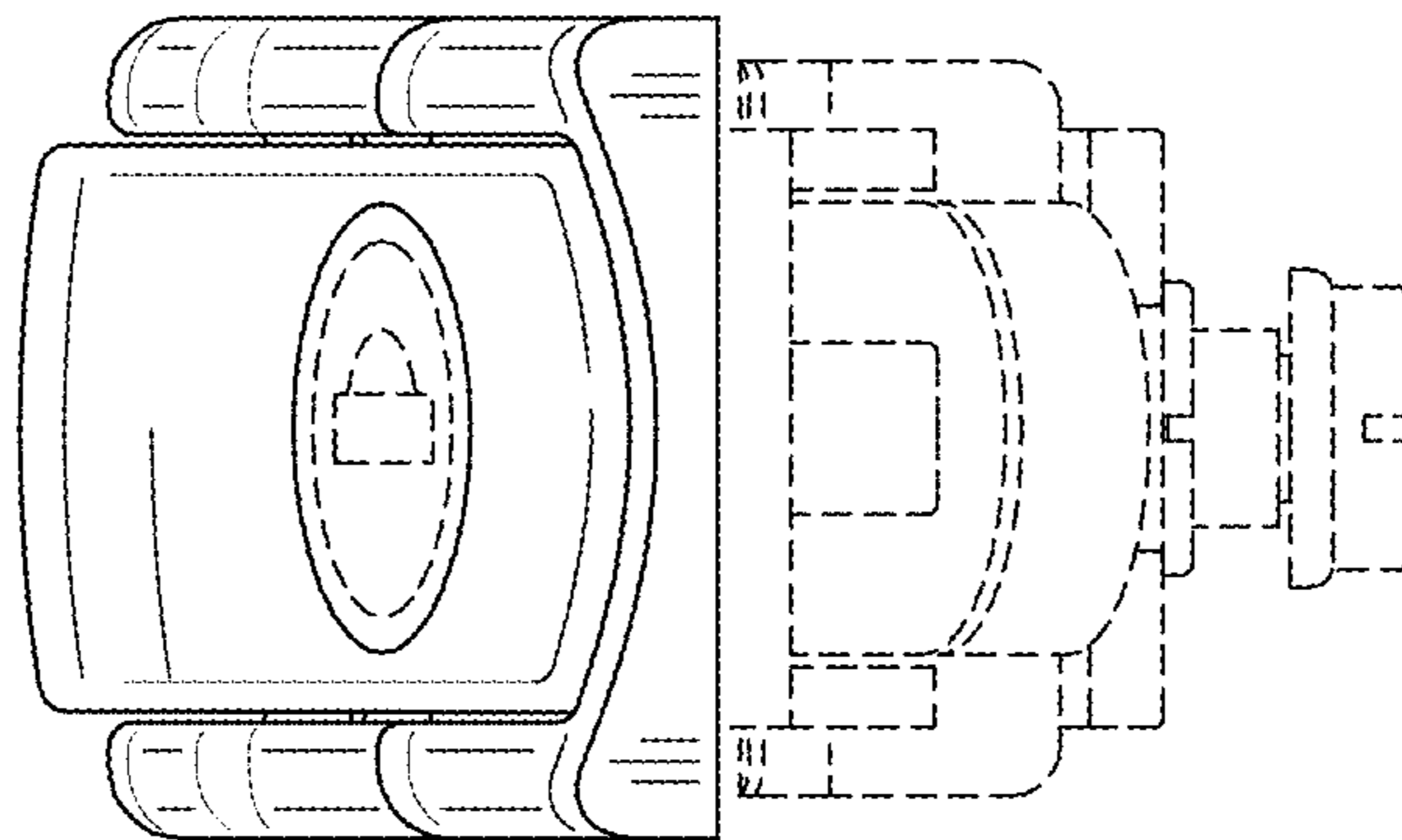


FIG. 5

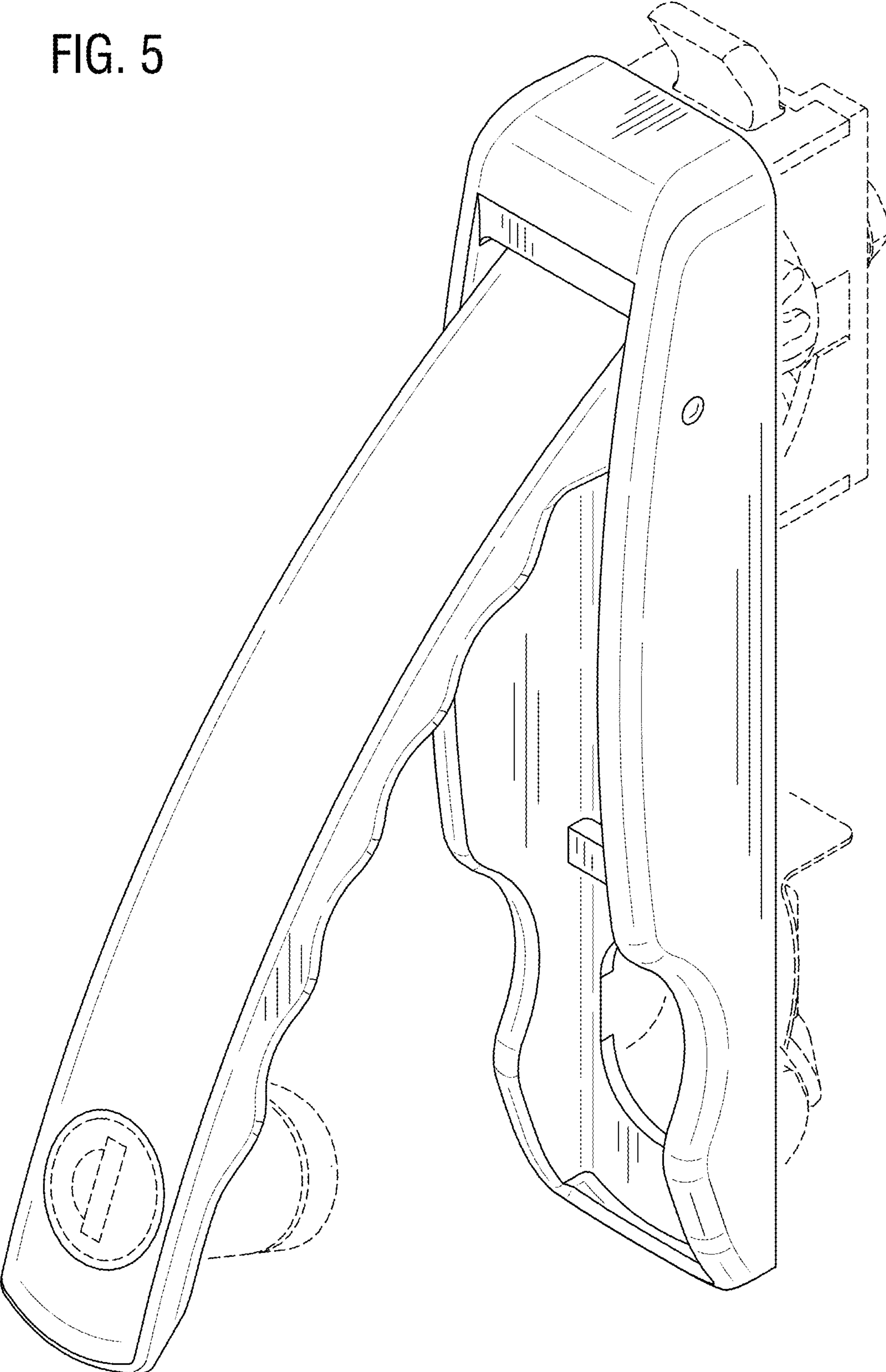
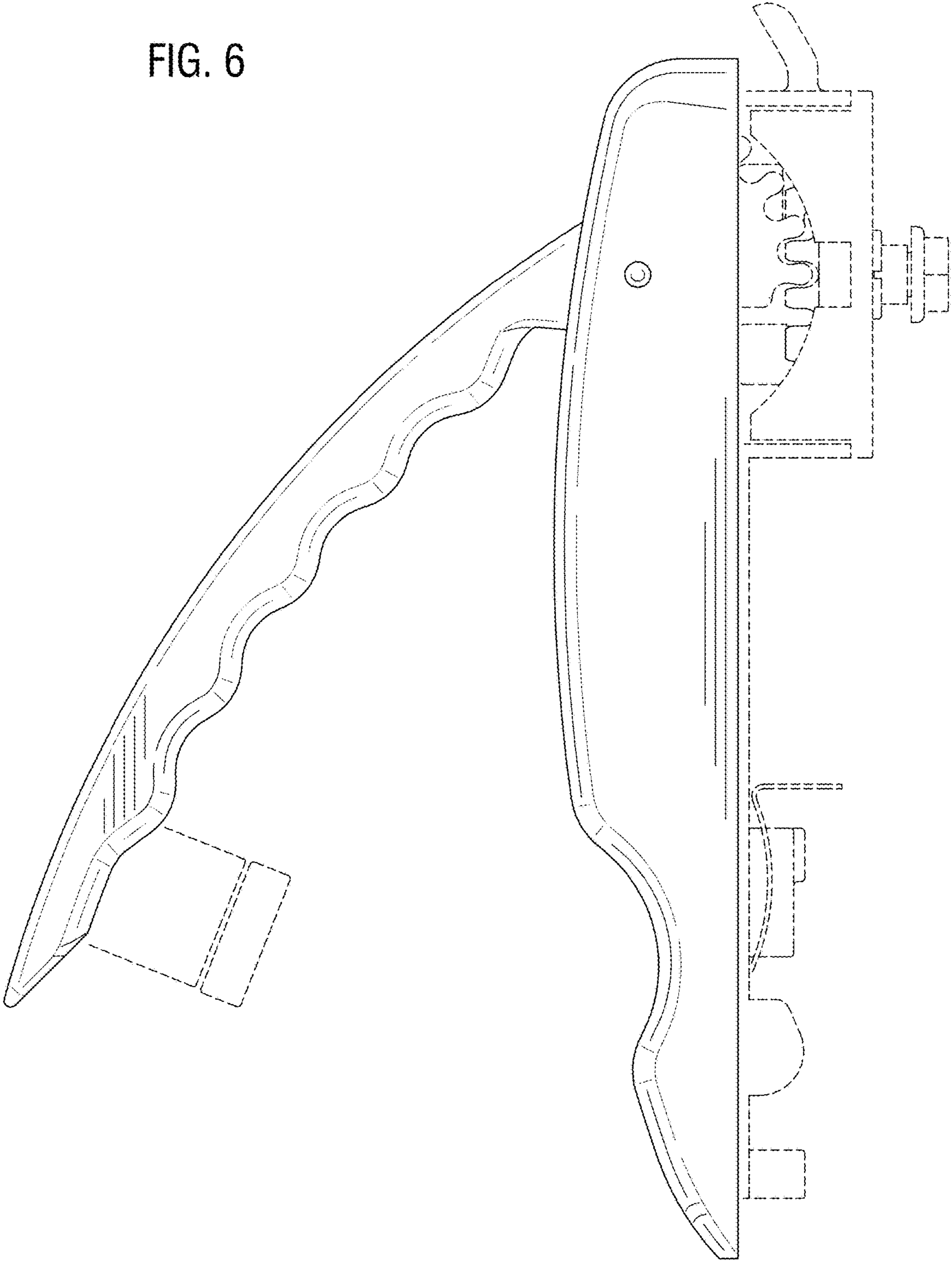


FIG. 6



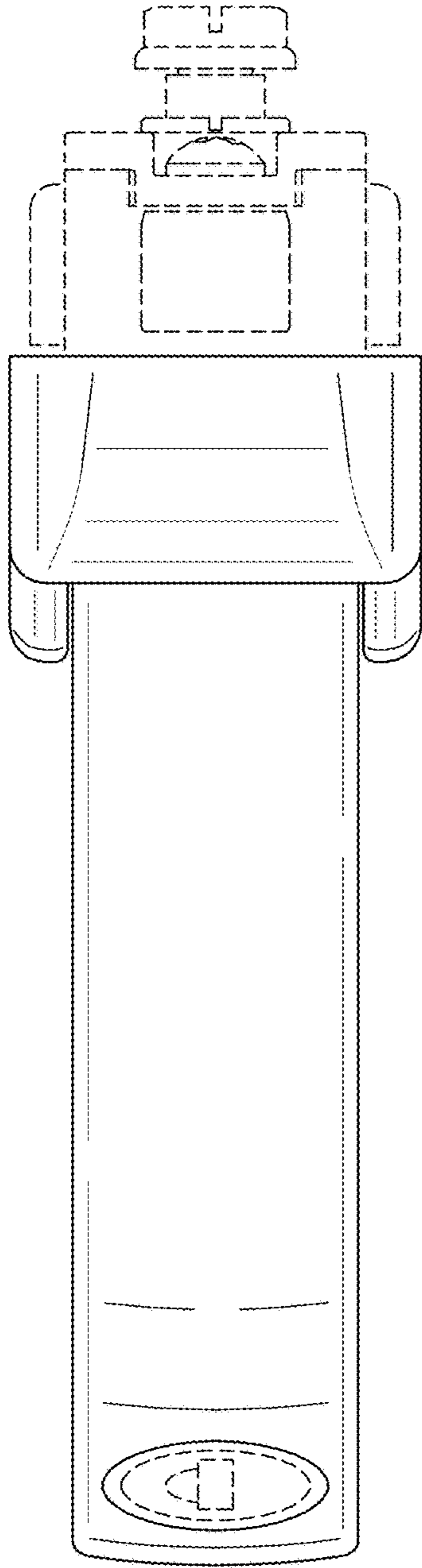


FIG. 7

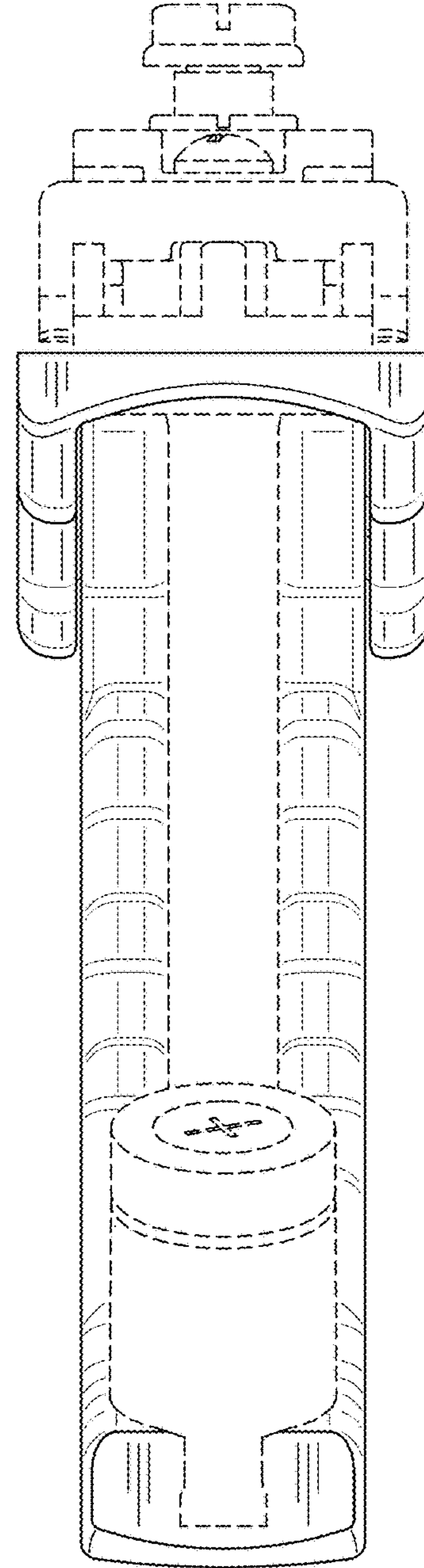


FIG. 8