



US00D806494S

(12) **United States Design Patent**
Chang

(10) **Patent No.:** **US D806,494 S**

(45) **Date of Patent:** **** Jan. 2, 2018**

(54) **HAMMER HEAD**

(71) Applicant: **Hsiu-Hua Chang**, Taichung (TW)

(72) Inventor: **Hsiu-Hua Chang**, Taichung (TW)

(**) Term: **14 Years**

(21) Appl. No.: **29/448,139**

(22) Filed: **Mar. 10, 2013**

(51) **LOC (11) Cl.** **08-02**

(52) **U.S. Cl.**
USPC **D8/78**

(58) **Field of Classification Search**
USPC D8/14, 47, 75-81, 105; D22/117-118;
81/19-24; 254/26 R; 76/103
CPC .. A62B 3/005; A62C 8/00; B25D 1/00; B25D
1/02; B25D 1/04; B25D 1/045; B25D
1/06; B25D 1/1012; B25F 1/00; B25F
1/006; B25G 1/01; B25G 3/01; B25G
3/02; B25G 3/3436; B26B 23/00
See application file for complete search history.

(56) **References Cited**

U.S. PATENT DOCUMENTS

D10,656 S *	4/1878	Hammond	D8/75
D54,162 S *	11/1919	Edelmann	D8/75
D161,810 S *	2/1951	Alexander	D8/75
3,115,912 A *	12/1963	Harris	81/20
3,341,261 A *	9/1967	Fenlin	403/249
3,704,734 A *	12/1972	Soto et al.	81/22
3,792,725 A *	2/1974	Burgeson	81/20
3,901,296 A *	8/1975	Tomac	81/21
4,721,021 A *	1/1988	Kusznir	81/22

6,467,376 B1 *	10/2002	Wu	81/22
D521,343 S *	5/2006	Hung	D8/78
D531,001 S *	10/2006	Chen	D8/78
D566,509 S *	4/2008	Vanderbeek	D8/75
8,438,953 B2 *	5/2013	Chen	81/22
2012/0186399 A1 *	7/2012	Chen	81/22

* cited by examiner

Primary Examiner — Philip S Hyder
Assistant Examiner — Roselynn Cody

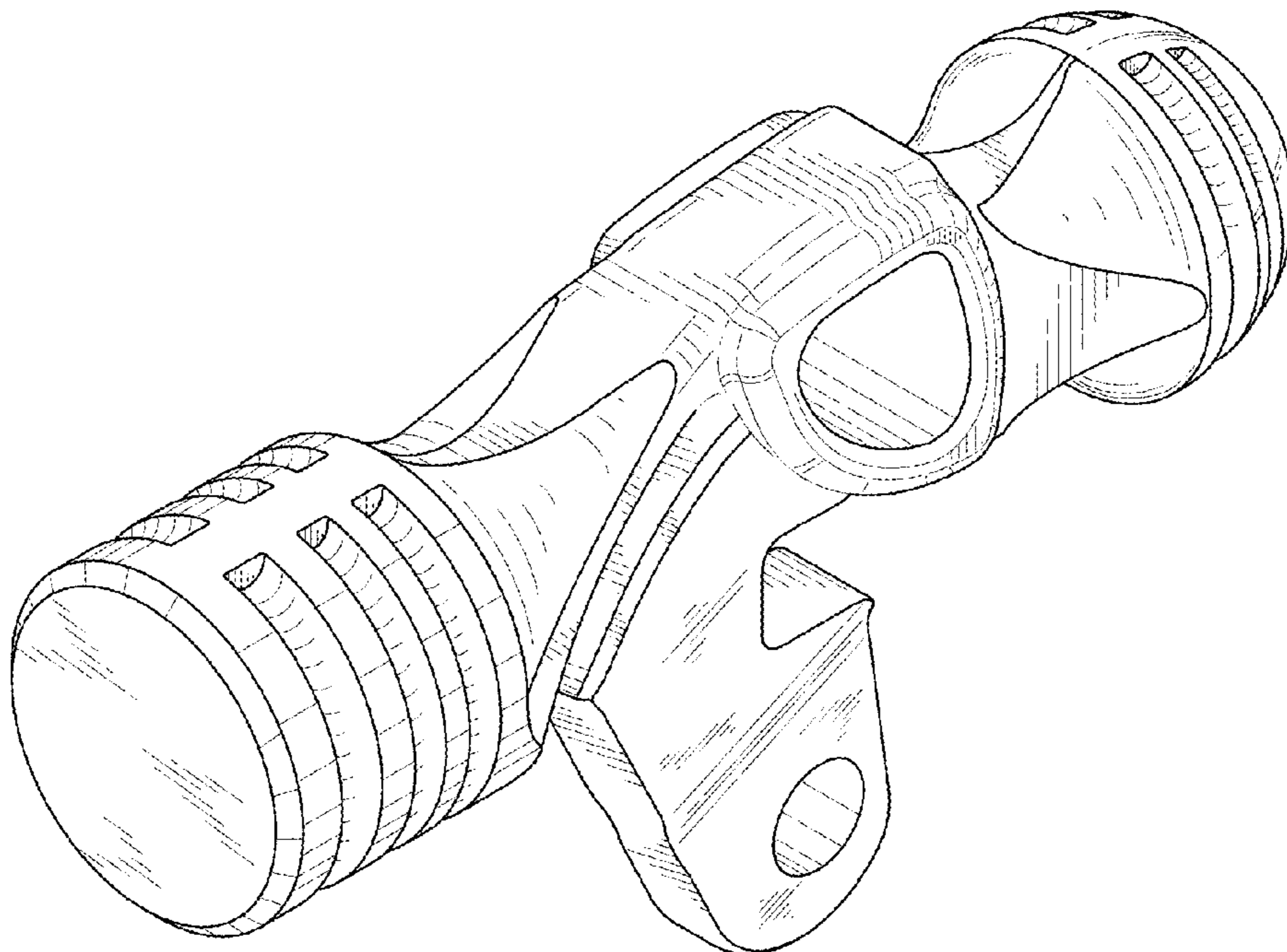
(57) **CLAIM**

I claim the ornamental design for a hammer head, as shown and described.

DESCRIPTION

FIG. 1 is a perspective view of a hammer head, showing my new design;
FIG. 2 is another perspective view of the hammer head of FIG. 1;
FIG. 3 is a front view of the hammer head shown in FIG. 1;
FIG. 4 is a rear view of the hammer head shown in FIG. 1;
FIG. 5 is a left side view of the hammer head shown in FIG. 1;
FIG. 6 is a right side view of the hammer head shown in FIG. 1;
FIG. 7 is a top view of the hammer head shown in FIG. 1;
FIG. 8 is a bottom view of the hammer head shown in FIG. 1; and,
FIG. 9 is another perspective view of the hammer head of FIG. 1, wherein a handle is shown in broken lines for illustrative purposes only and does not form part of the claimed design.

1 Claim, 9 Drawing Sheets



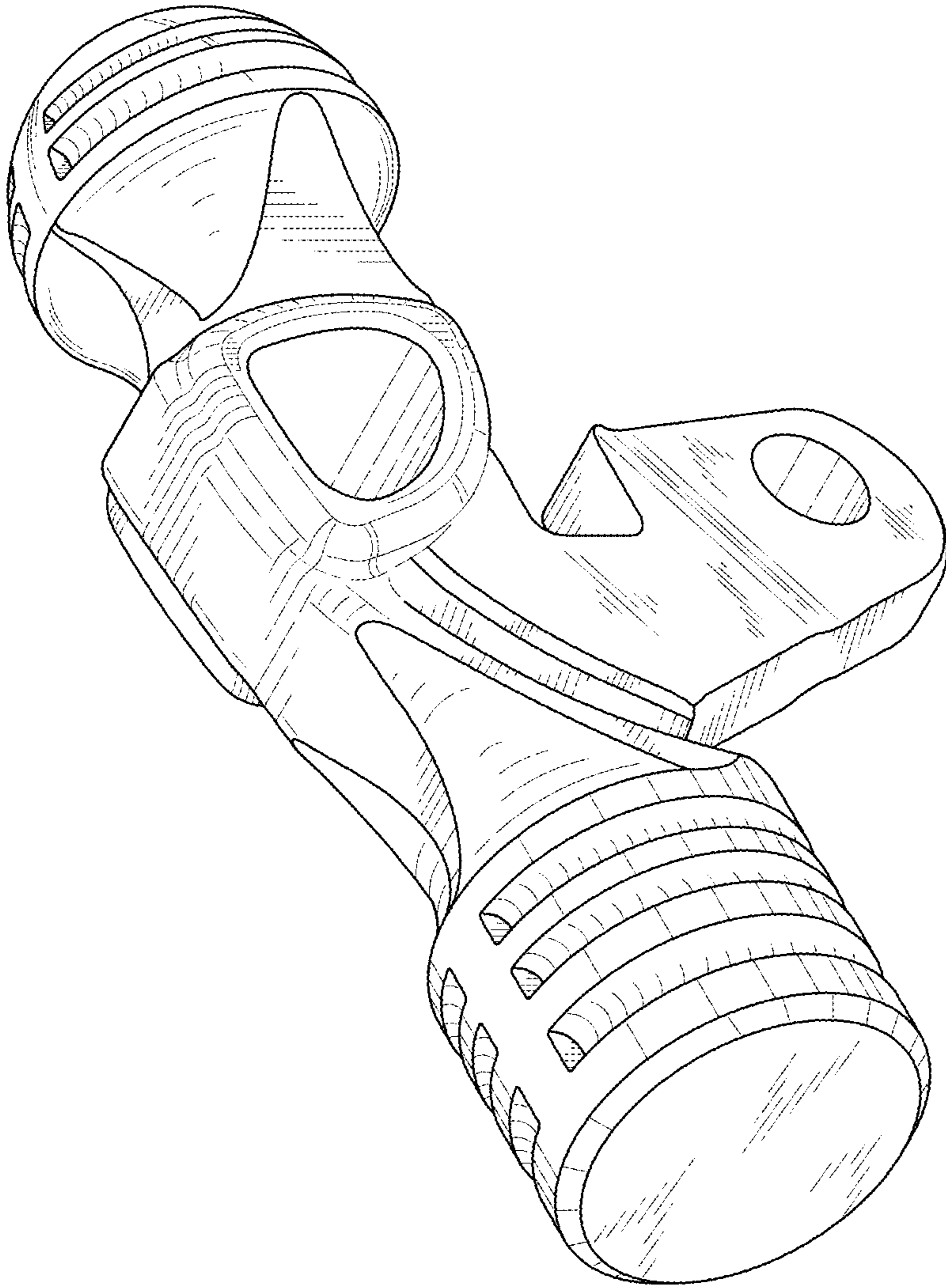


Fig. 1

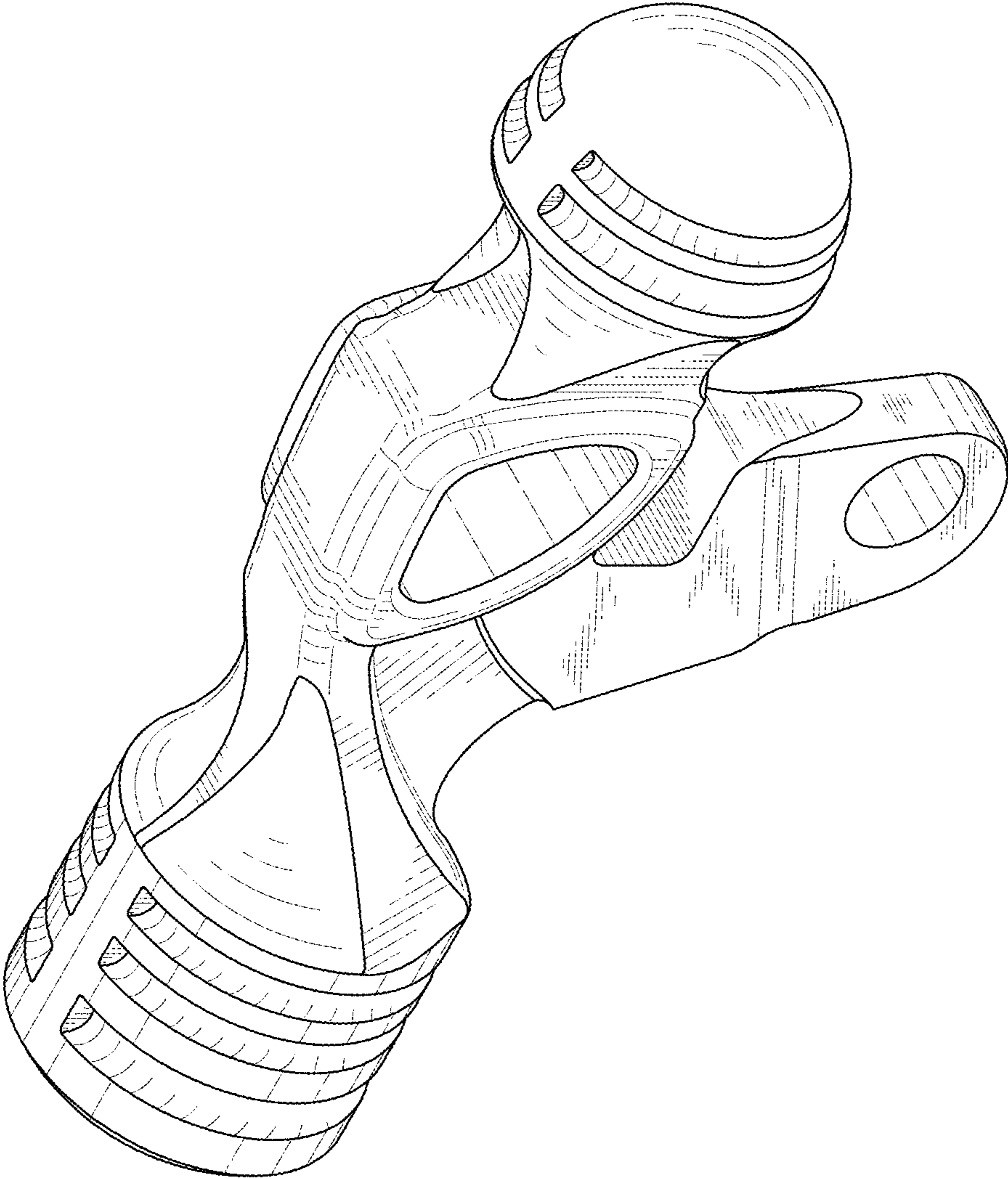


Fig. 2

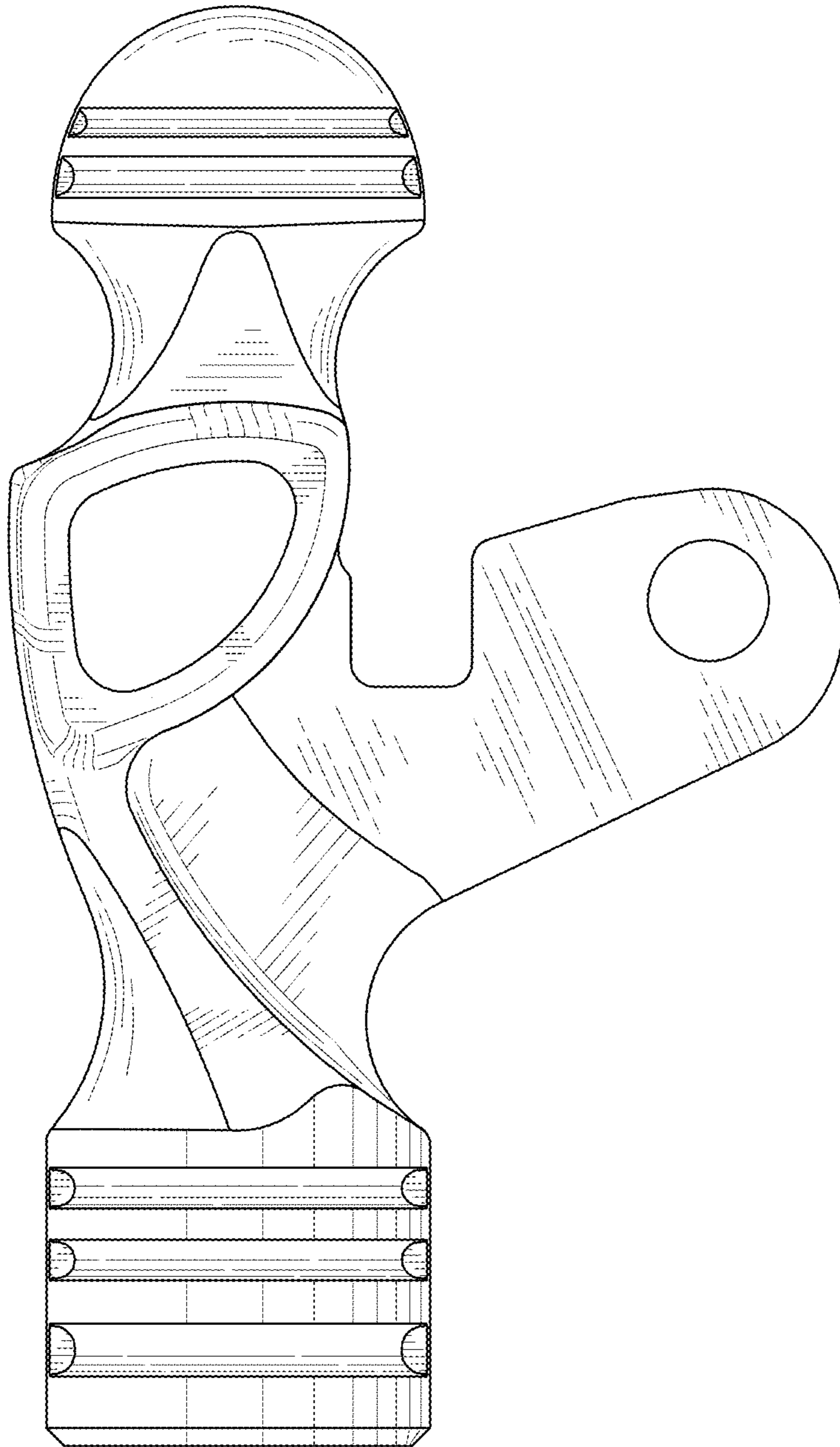


Fig. 3

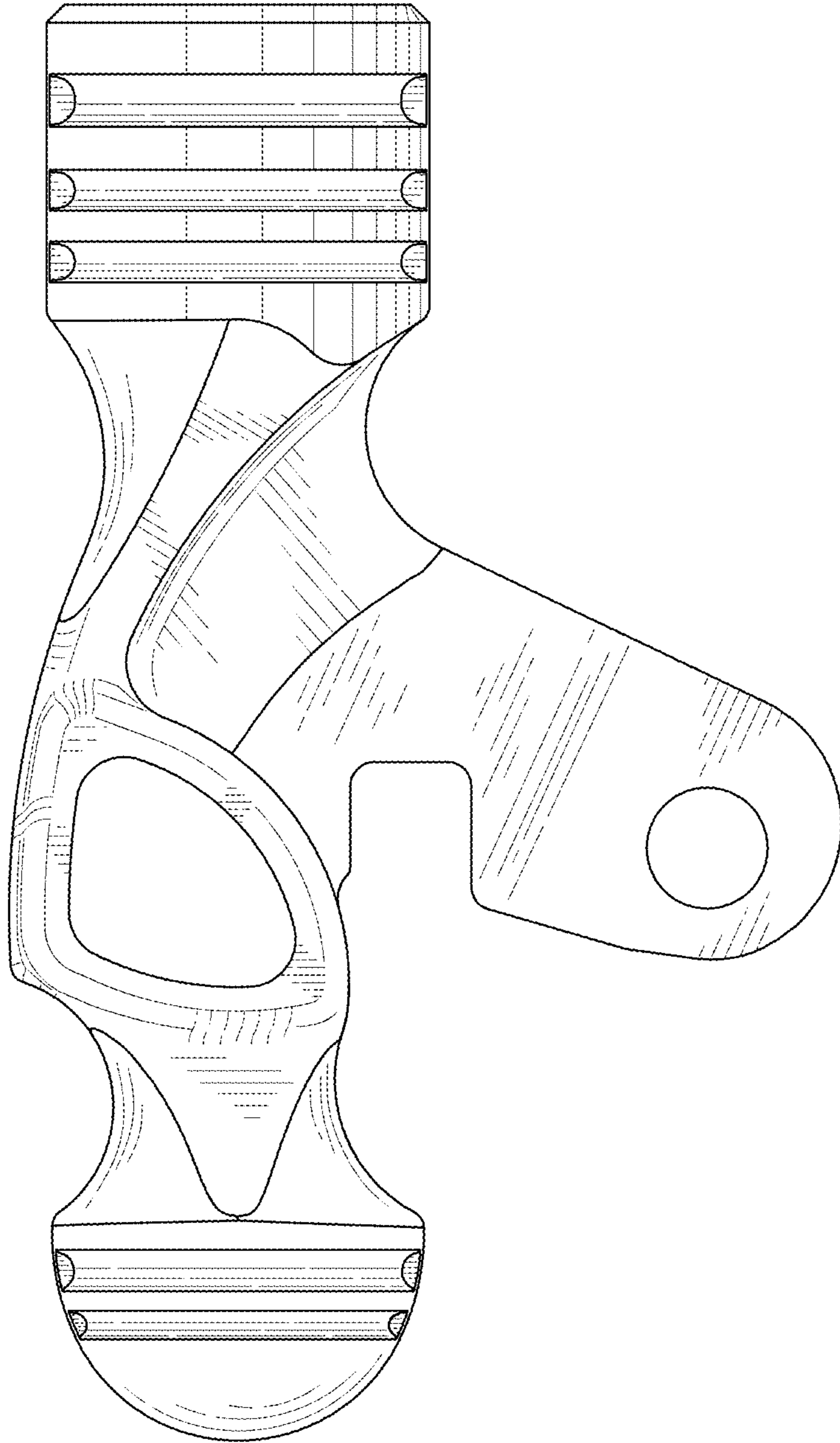


Fig. 4

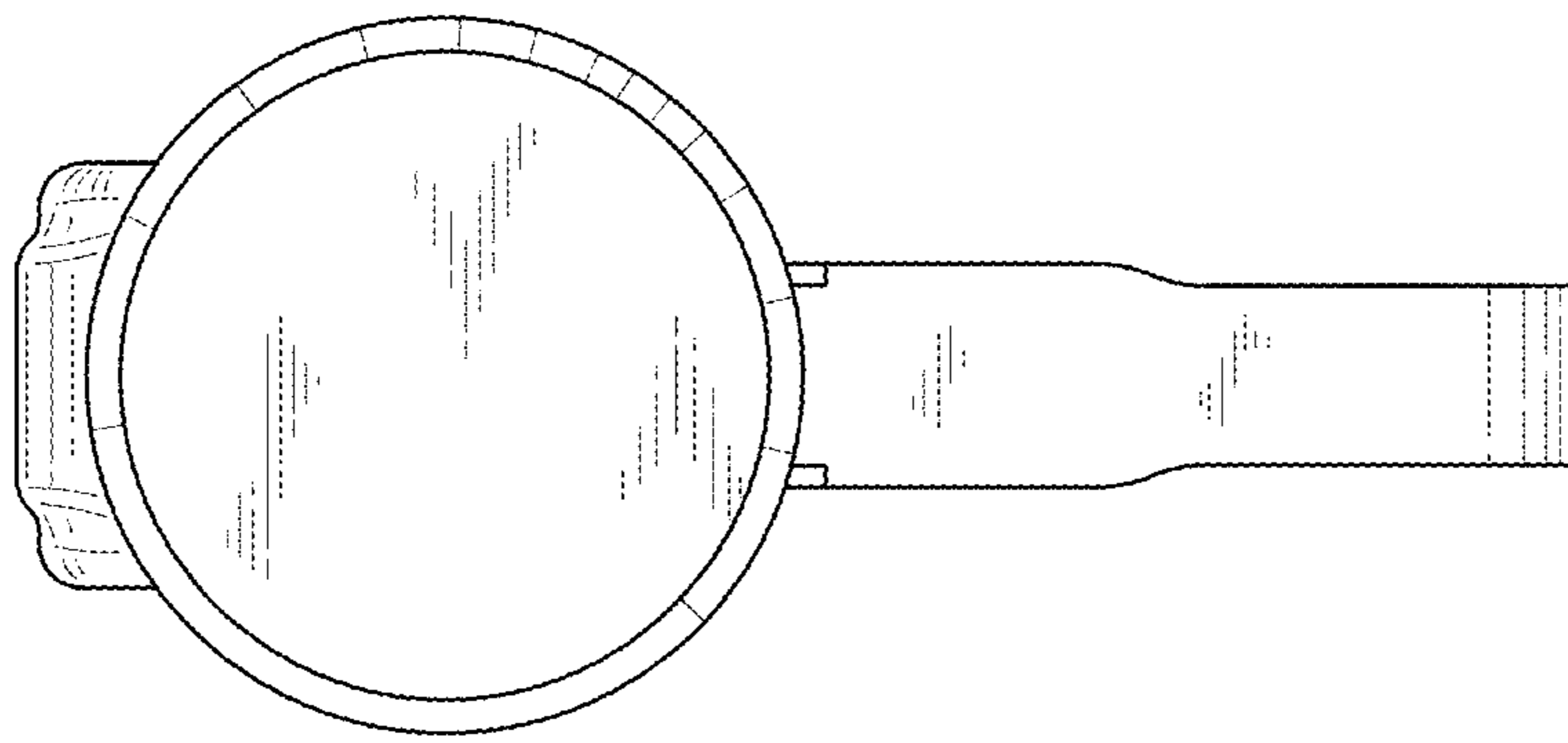


Fig. 5

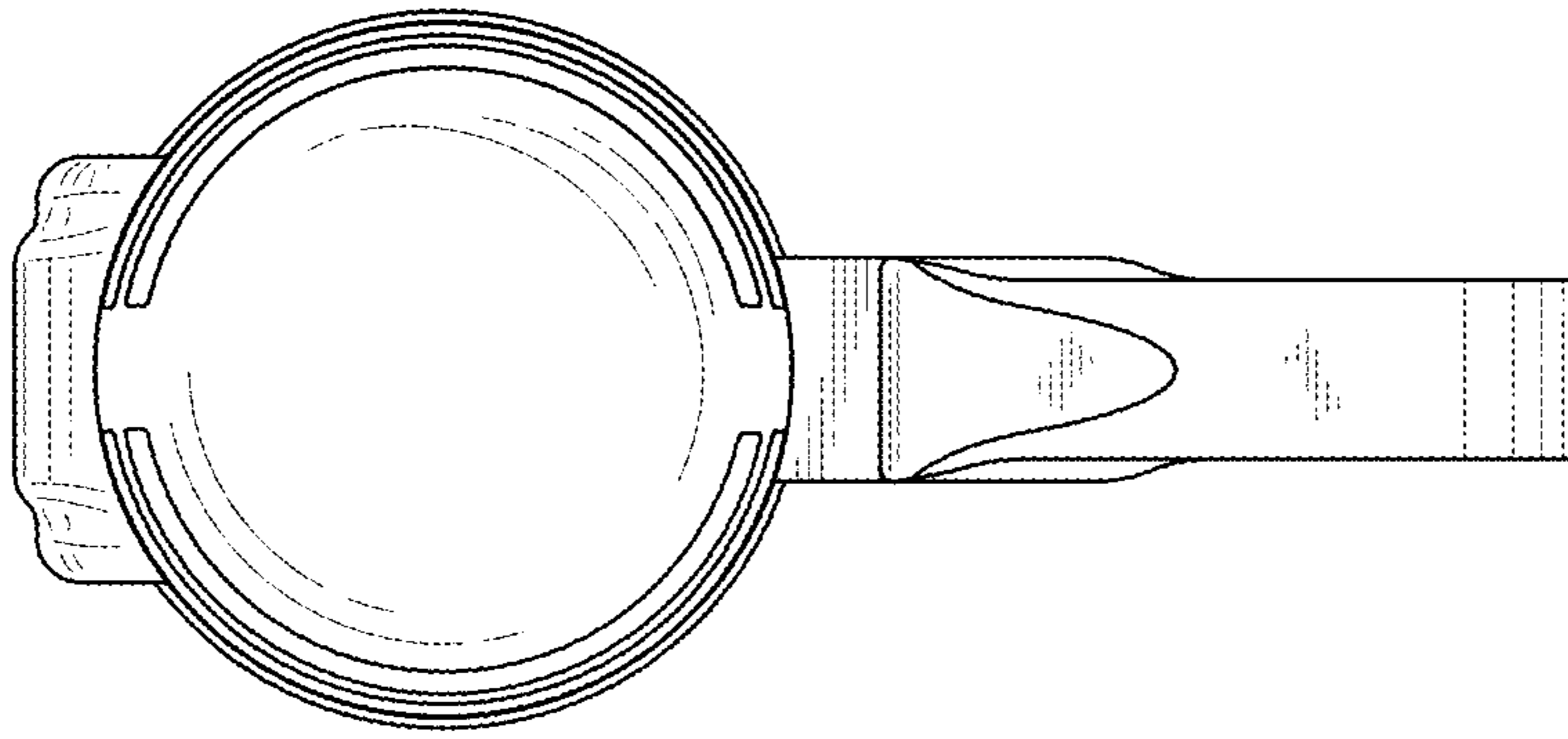


Fig. 6

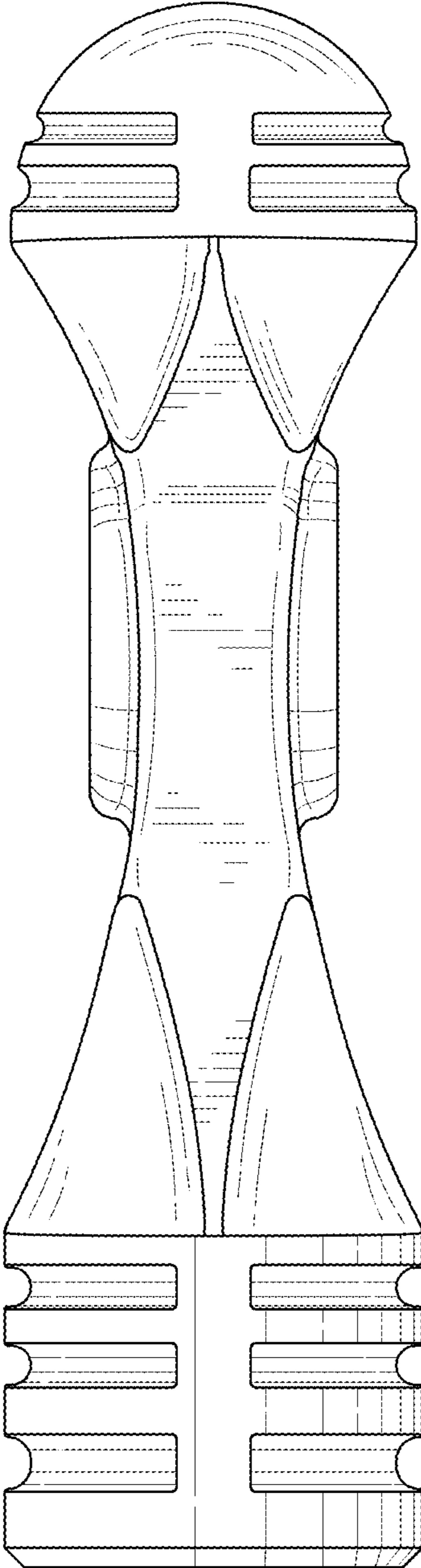


Fig. 7

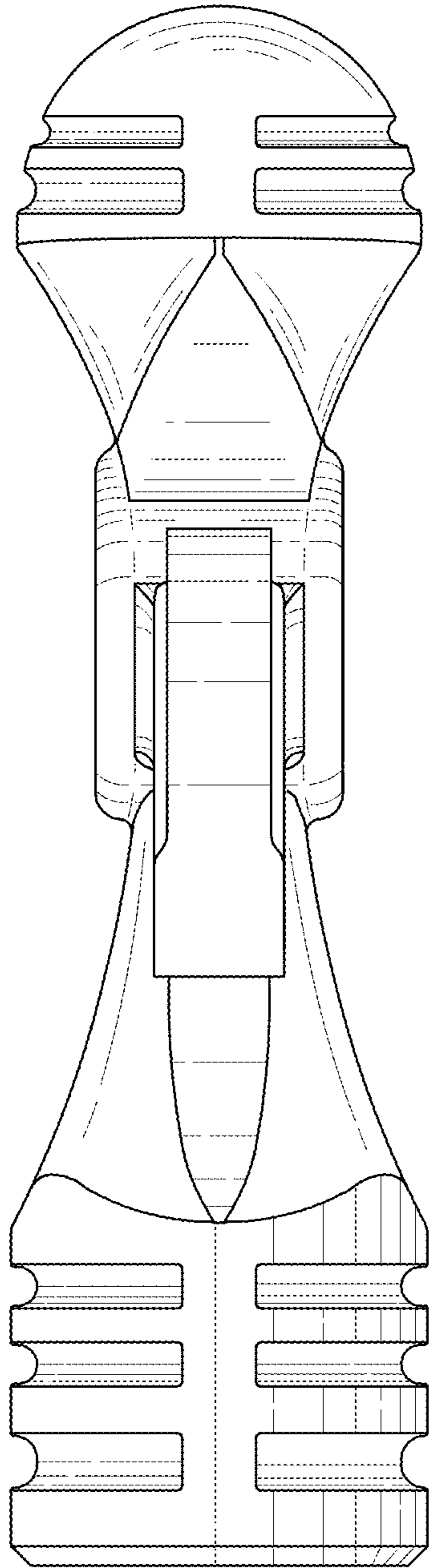


Fig. 8

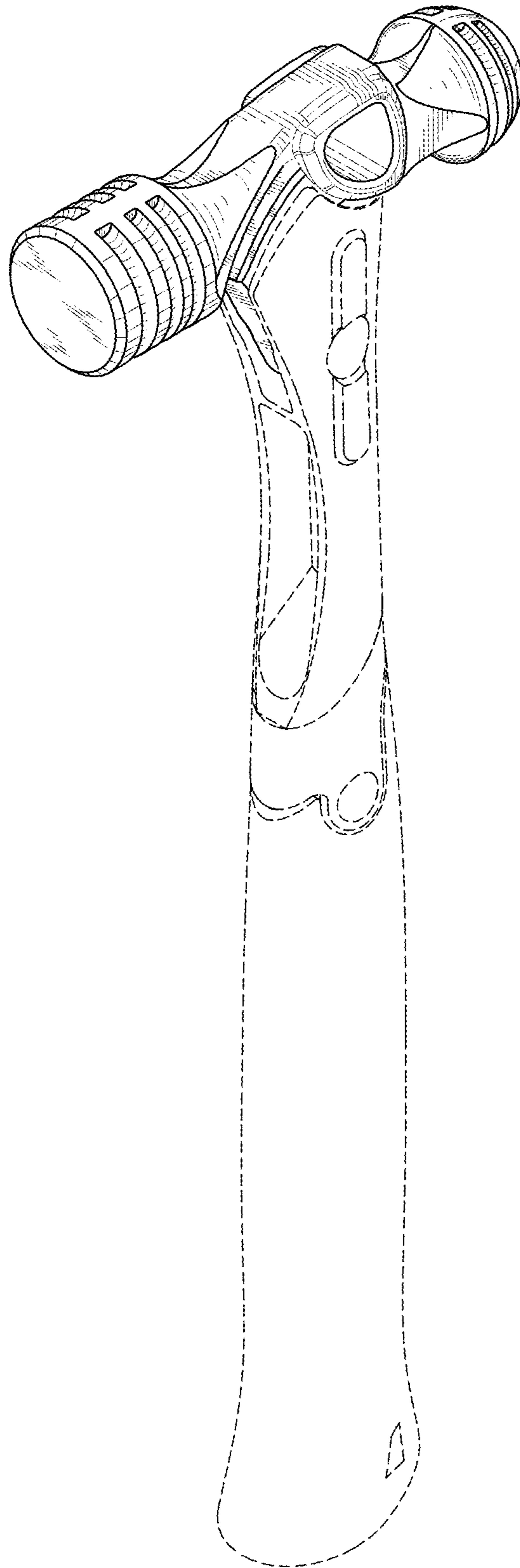


Fig. 9