



US00D806493S

(12) **United States Design Patent**
Pomeroy

(10) **Patent No.:** **US D806,493 S**
(45) **Date of Patent:** **** Jan. 2, 2018**

- (54) **TOOL ADAPTER**
- (71) Applicant: **AC (Macao Commercial Offshore) Limited**, Macau (MO)
- (72) Inventor: **Edward A. Pomeroy**, Piedmont, SC (US)
- (73) Assignee: **TTI (MACAO COMMERCIAL OFFSHORE) LIMITED**, Macau (MO)

- 5,013,194 A 5/1991 Wienhold
- 5,057,112 A 10/1991 Sherman et al.
- 5,089,003 A 2/1992 Fallin et al.
- 5,188,378 A 2/1993 Erlenkeuser
- 5,195,760 A 3/1993 Wheeler et al.
- 5,219,174 A 6/1993 Zurbrugg et al.
- 5,261,915 A 11/1993 Durlacher et al.
- 5,324,293 A 6/1994 Rehmann
- 5,398,946 A 3/1995 Quiring
- 5,417,527 A 5/1995 Wienhold
- 5,464,229 A 11/1995 Salpaka

(Continued)

(**) Term: **15 Years**

FOREIGN PATENT DOCUMENTS

- (21) Appl. No.: **29/533,867**
- (22) Filed: **Jul. 22, 2015**
- (51) **LOC (11) Cl.** **08-05**
- (52) **U.S. Cl.**
USPC **D8/70**
- (58) **Field of Classification Search**
USPC D8/70, 71, 383; D11/1, 8, 30, 81;
D15/7, 21
CPC ... B23B 5/162; B23B 5/163; B23B 2260/078;
B23B 2215/72; B24B 7/16
See application file for complete search history.

EP 1779948 5/2007

Primary Examiner — Darlington Ly
(74) *Attorney, Agent, or Firm* — Michael Best & Friedrich LLP

(57) **CLAIM**

I claim the ornamental design for a tool adapter, as shown and described.

DESCRIPTION

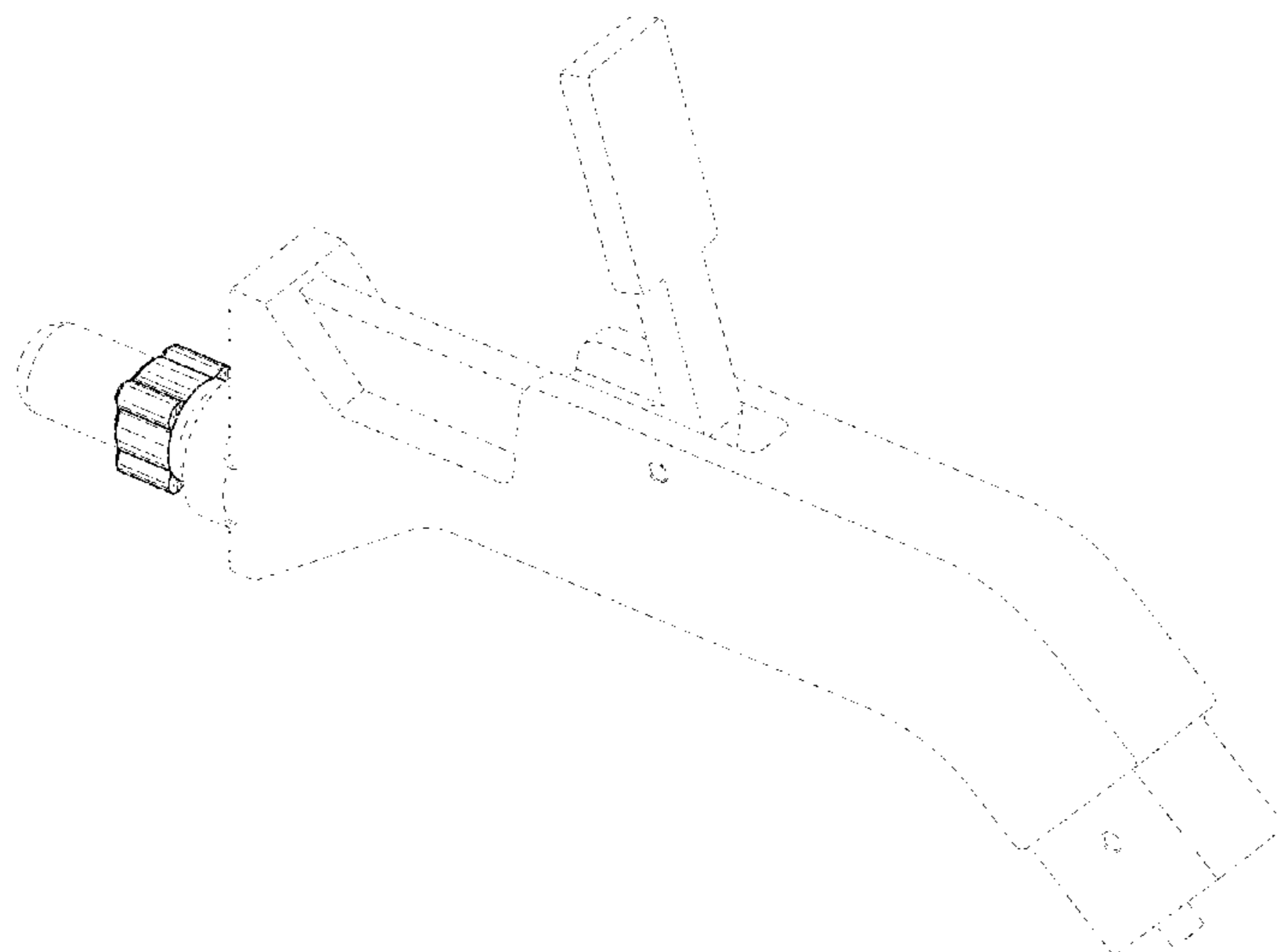
FIG. 1 is a front perspective view of a tool adapter according to my new design;
 FIG. 2 is a right side elevation view thereof;
 FIG. 3 is a left side elevation view thereof;
 FIG. 4 is a top plan view thereof;
 FIG. 5 is a bottom plan view thereof; and,
 FIG. 6 is a rear elevation view thereof.

The broken lines in the drawings illustrate portions of the tool adapter that form no part of the claimed design. The portions of the tool adapter shown in broken lines are included for the purpose of illustrating environment and form no part of the claimed design. The portions of the tool adapter shown in broken lines having unequal length segments illustrate the boundary of the claimed design and form no part of the claimed design.

(56) **References Cited**
U.S. PATENT DOCUMENTS

- 2,901,258 A 8/1959 Brandafi
- 3,658,351 A 4/1972 Benjamin et al.
- 3,702,705 A 11/1972 Schadlich
- 3,720,417 A 3/1973 Smith
- 3,726,533 A 4/1973 Lafferty, Sr.
- 3,788,658 A 1/1974 Benjamin et al.
- 4,199,160 A 4/1980 Bent
- 4,340,328 A 7/1982 Proulx et al.
- 4,627,627 A 12/1986 Röhm
- 4,692,073 A 9/1987 Martindell
- 4,739,750 A 4/1988 Masse et al.
- 4,848,779 A 7/1989 Wheeler et al.
- 4,900,202 A 2/1990 Wienhold
- 4,955,623 A 9/1990 Röhm

1 Claim, 5 Drawing Sheets



(56)

References Cited

U.S. PATENT DOCUMENTS

5,499,829	A	3/1996	Röhm	7,682,363	B2	3/2010	Burgi et al.
5,735,855	A	4/1998	Bradley	7,749,227	B2	7/2010	Lechot et al.
5,827,290	A	10/1998	Bradley	7,780,669	B2	8/2010	Lechot et al.
5,989,257	A	11/1999	Tidwell et al.	7,785,329	B2	8/2010	Lechot et al.
6,000,940	A	12/1999	Buss et al.	7,857,816	B2	12/2010	Burgi
6,010,508	A	1/2000	Bradley	D633,356	S *	3/2011	Dircksen D15/139
D419,845	S *	2/2000	Yasutomi D8/70	D633,872	S *	3/2011	Shen D13/155
6,053,675	A	4/2000	Holland et al.	7,896,355	B2	3/2011	Wienhold
6,095,530	A	8/2000	Röhm	7,935,125	B2	5/2011	Bastian et al.
6,171,312	B1	1/2001	Beaty	7,955,320	B2	6/2011	Desarzens et al.
6,199,872	B1	3/2001	Hasan	7,955,323	B2	6/2011	Lechot
6,205,884	B1	3/2001	Foley et al.	7,976,548	B2	7/2011	Burgi et al.
6,264,647	B1	7/2001	Lechot	D642,920	S *	8/2011	Taylor D9/453
6,302,408	B1	10/2001	Zierpka	D646,539	S *	10/2011	Maras D8/70
6,325,393	B1	12/2001	Chen et al.	D646,540	S *	10/2011	Maras D8/70
D458,558	S *	6/2002	Tschetter D10/126	8,096,993	B2	1/2012	Kelman
6,457,916	B2	10/2002	Wienhold	8,236,004	B2	8/2012	Jonas
6,540,739	B2	4/2003	Lechot	8,277,457	B1	10/2012	Burgi et al.
D474,265	S *	5/2003	Love D23/309	8,292,304	B2	10/2012	Wienhold
6,561,523	B1	5/2003	Wienhold	8,308,168	B2	11/2012	Nash
6,623,220	B2	9/2003	Nuss et al.	8,337,502	B2	12/2012	Bastian et al.
6,695,321	B2	2/2004	Bedi et al.	8,398,650	B1	3/2013	Burgi
6,722,667	B2	4/2004	Cantlon	8,512,245	B2	8/2013	Markle et al.
6,863,280	B2	3/2005	Chiu	8,562,612	B2	10/2013	Kelman
6,874,791	B2	4/2005	Chen et al.	8,602,124	B2	12/2013	Pedicini
6,899,715	B1	5/2005	Beaty	8,636,287	B2	1/2014	Wienhold
6,929,266	B2	8/2005	Peters et al.	8,657,824	B2	2/2014	Sharp et al.
D523,328	S *	6/2006	Ramos D8/382	8,657,833	B2	2/2014	Burgi et al.
7,056,317	B2	6/2006	Lechot	8,657,834	B2	2/2014	Burgi
7,063,332	B2	6/2006	Müller	8,690,880	B2	4/2014	Bastian et al.
7,086,813	B1	8/2006	Boyle et al.	8,734,451	B2	5/2014	Kelman
7,115,119	B2	10/2006	Desarzens	D716,877	S *	11/2014	Raymond D21/385
7,216,873	B2	5/2007	Mack	D731,277	S *	6/2015	Manwaring D8/70
7,229,078	B2	6/2007	Lechot	2005/0171548	A1	8/2005	Kelman
D546,916	S *	7/2007	Schwerman D22/109	2008/0033444	A1	2/2008	Bastian et al.
7,296,804	B2	11/2007	Lechot et al.	2008/0255565	A1	10/2008	Fletcher
7,306,396	B1	12/2007	Chen	2010/0204702	A1	8/2010	Lechot et al.
7,326,198	B2	2/2008	Desarzens et al.	2011/0248455	A1	10/2011	Haimer et al.
7,435,042	B2	10/2008	White et al.	2012/0059359	A1	3/2012	Burgi
7,469,909	B2	12/2008	Strauch et al.	2013/0079785	A1	3/2013	Burgi
7,591,821	B2	9/2009	Kelman	2013/0150858	A1	6/2013	Primiano et al.
7,604,637	B2	10/2009	Johnson et al.	2013/0261681	A1	10/2013	Bittenson
7,637,327	B2	12/2009	Grünig	2014/0163561	A1	6/2014	Sharp et al.
7,637,909	B2	12/2009	Lechot et al.	2014/0207200	A1	7/2014	Kerboul et al.
				2014/0228847	A1	8/2014	Kelman

* cited by examiner

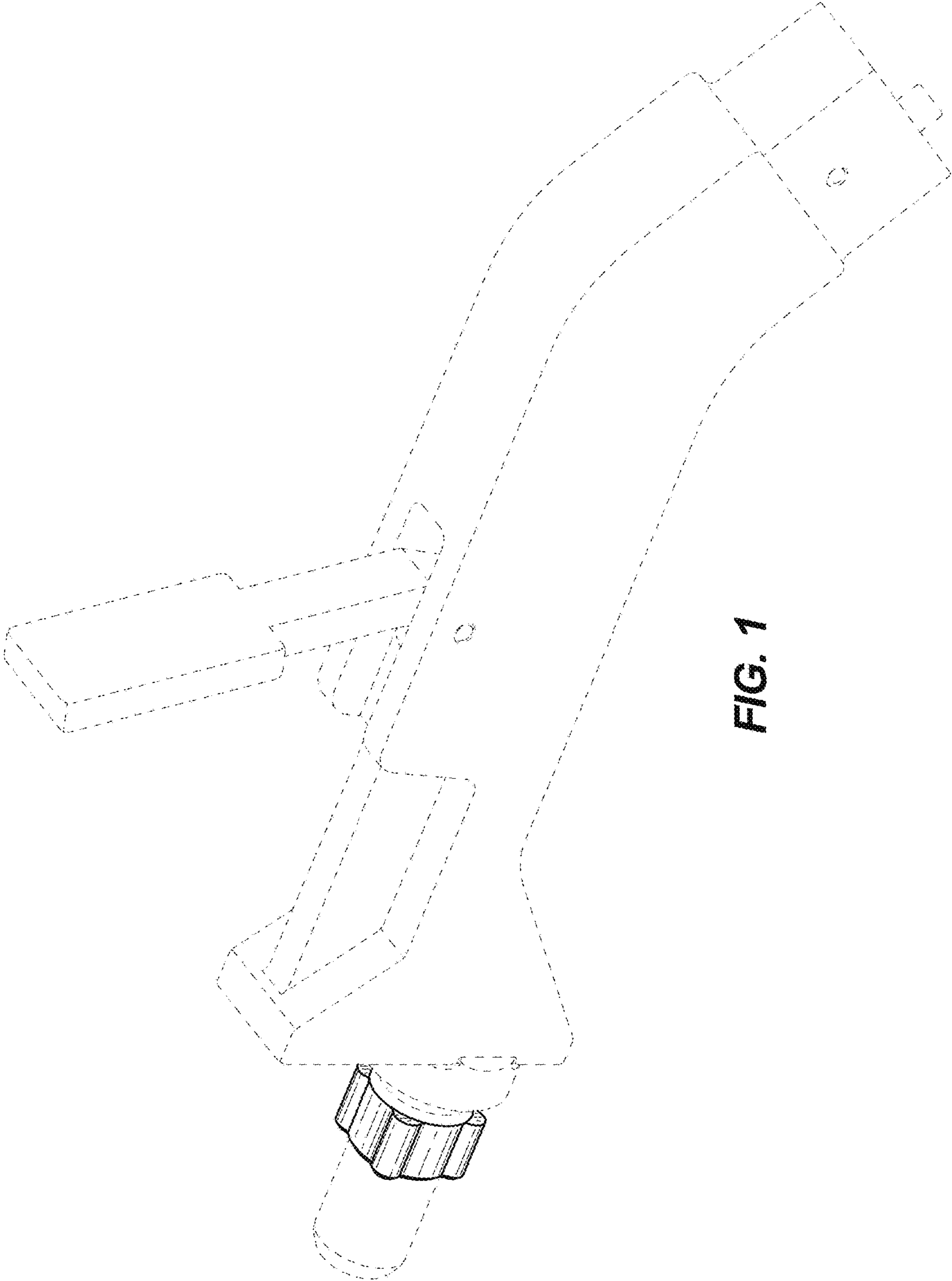


FIG. 1

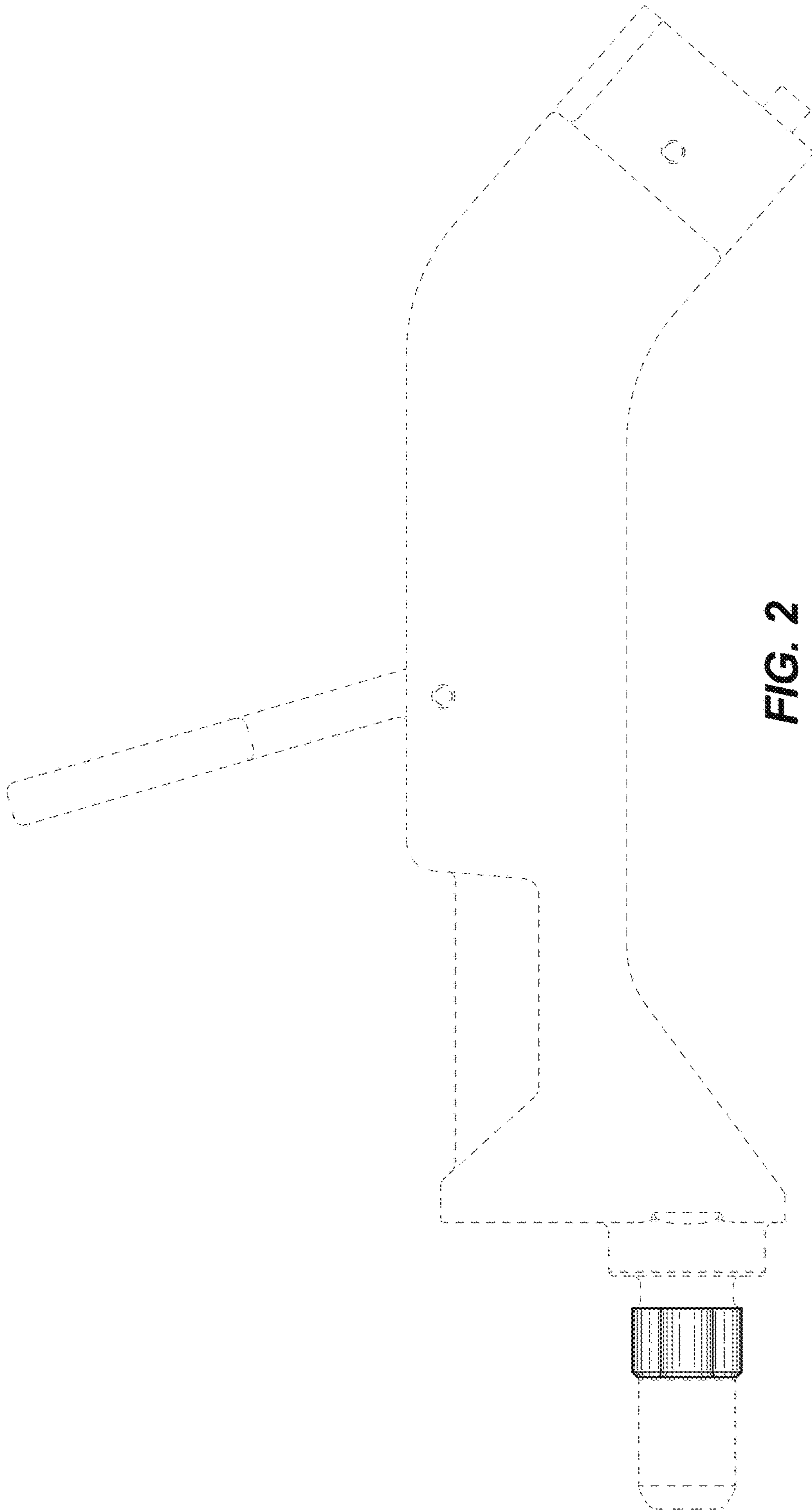


FIG. 2

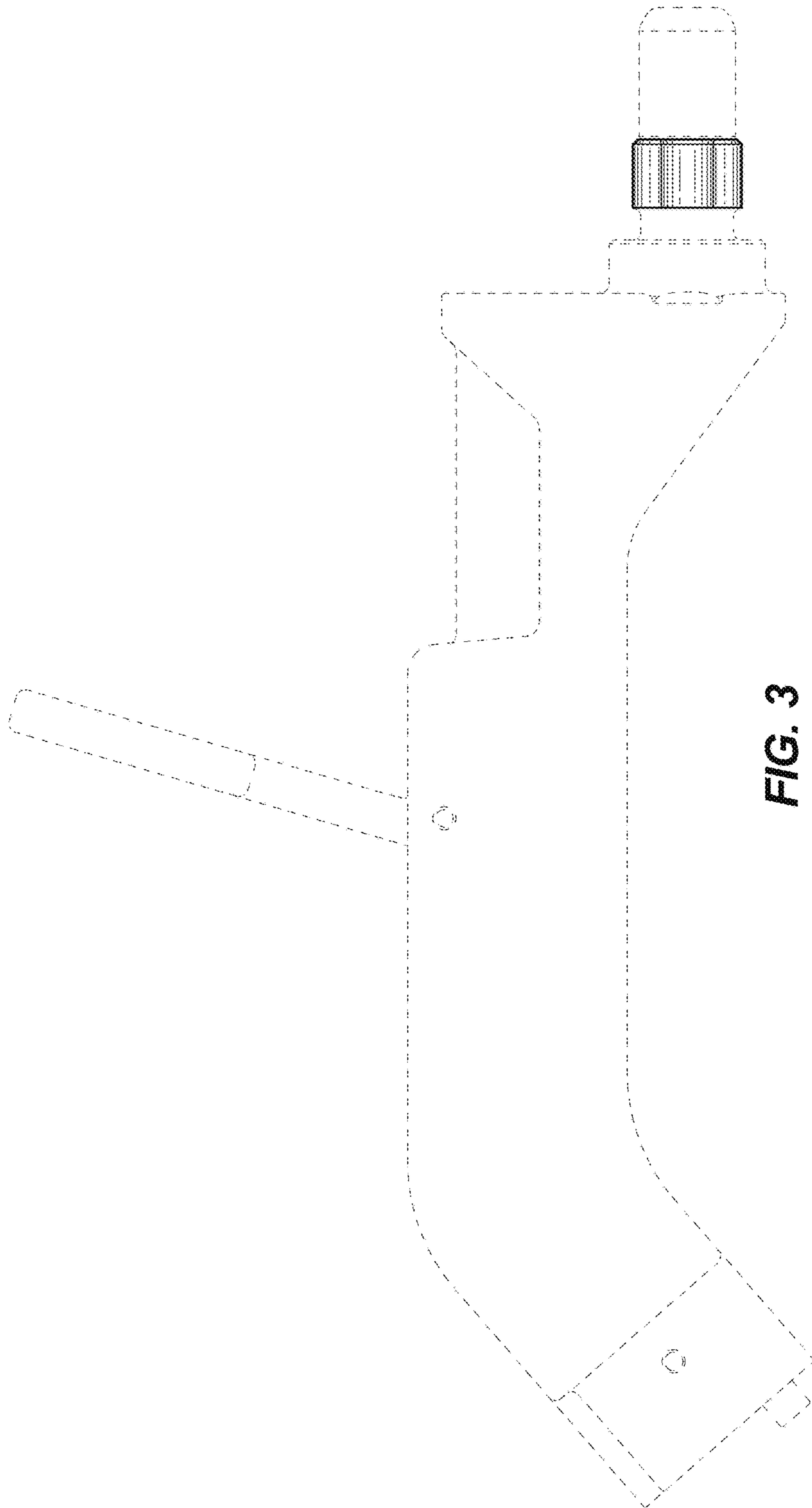


FIG. 3

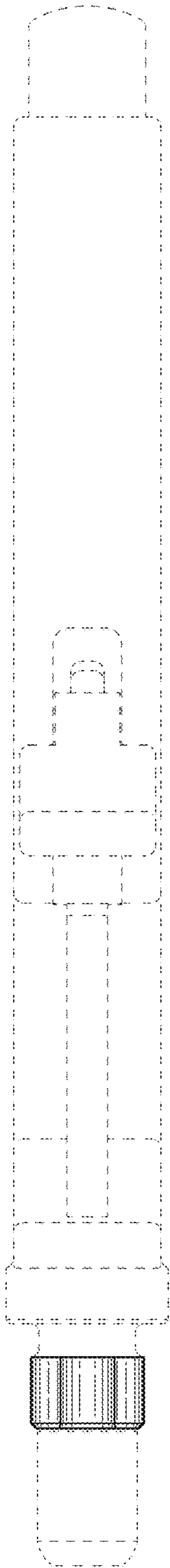


FIG. 4

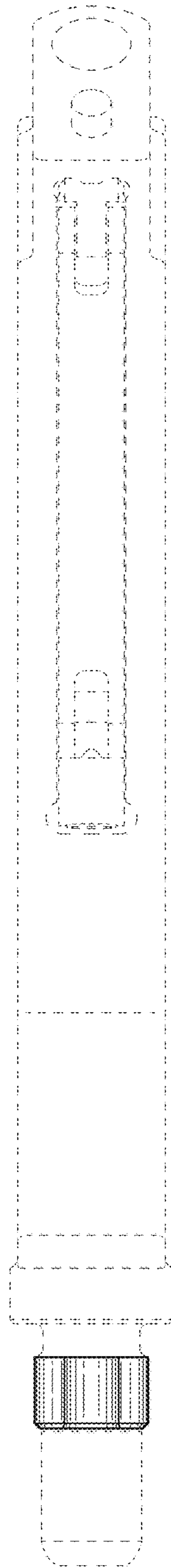


FIG. 5

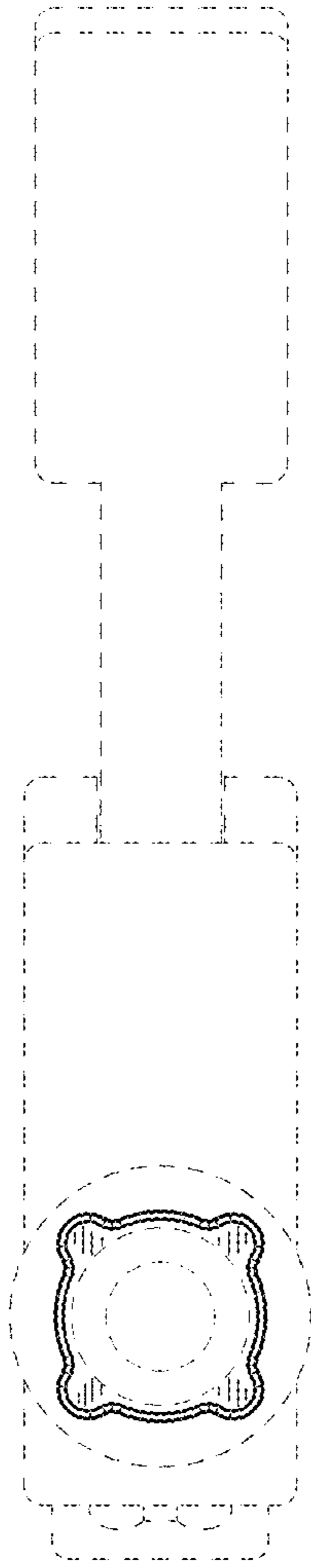


FIG. 6