



US00D806492S

(12) **United States Design Patent**  
**Willhite**

(10) **Patent No.:** **US D806,492 S**  
(45) **Date of Patent:** **\*\* Jan. 2, 2018**

(54) **GRIP ADAPTER FOR DEBRIDER BLADE NOSECONE**

(71) Applicant: **Gyrus ACMI, Inc.**, Southborough, MA (US)

(72) Inventor: **Joel A. Willhite**, Memphis, TN (US)

(73) Assignee: **Gyrus ACMI, Inc.**, Southborough, MA (US)

(\*\*) Term: **15 Years**

(21) Appl. No.: **29/539,811**

(22) Filed: **Sep. 17, 2015**

(51) **LOC (11) Cl.** ..... **07-99**

(52) **U.S. Cl.**  
USPC ..... **D8/40; D8/33**

(58) **Field of Classification Search**  
USPC ..... D8/16, 17, 18, 33, 40, 42, 43, 88, 300, D8/307, 312, 313, 321, 338, 400, 499; D26/24, 26, 28, 72, 73, 85, 89, 113, 118, D26/120, 122; D25/48.4, 126; D24/135, D24/143, 144, 145, 176, 214, 216, 224, D24/227, 229; D9/433; D7/691; D3/299; D16/134; D23/235, 238, 241, D23/247, 259

CPC .... B67B 7/14; B67B 7/16; B67B 7/44; B67B 7/18; B67B 2007/166; B67B 7/0441; B67B 7/0447; B67B 7/066; B67B 7/0405; B67B 7/0417; B67B 7/162; B67B 7/00; B67B 7/04; B67B 7/0411; B67B 7/0423; B67B 7/06; B67B 7/182; B67B 7/385; B67B 7/20; A47G 23/0241; B26B 11/00; G10K 3/00; A44C 5/0007; B25F 1/006; B25F 1/00; B25F 1/003; B25F 5/021; Y10T 29/49822; Y10T 24/44564; B25B 23/1427; F21S 8/00; F21V 21/30; F21V 29/00; F21V 17/00; B60Q 1/124; B65D 5/10; B65D 5/00; B65D 85/30; B65D 85/32; A47J 43/28; A61B 18/18; A61B 18/02; A61B 18/1402; A61B 17/320068; A61B 17/282

See application file for complete search history.

(56) **References Cited**

U.S. PATENT DOCUMENTS

D75,944 S *	7/1928	Yokel .....	D26/72
D102,935 S *	1/1937	Westfall .....	D26/113
2,589,693 A	3/1952	Hess	
2,631,482 A	3/1953	Rinhart	
4,337,678 A	7/1982	Mumford	
4,702,129 A	10/1987	Allen	
4,760,763 A	8/1988	Trick et al.	

(Continued)

OTHER PUBLICATIONS

Olympus Diego Elite Multidebrider—english version, posted Feb. 25, 2014, [retrieved Apr. 14, 2017]. Retrieved from Internet, <URL: <https://www.youtube.com/watch?v=yNZKflpkgg> >.\*

(Continued)

*Primary Examiner* — Barbara Fox

*Assistant Examiner* — Kristin E Reed

(74) *Attorney, Agent, or Firm* — Vivacqua Law, PLLC; Gerald P. Kazanjian

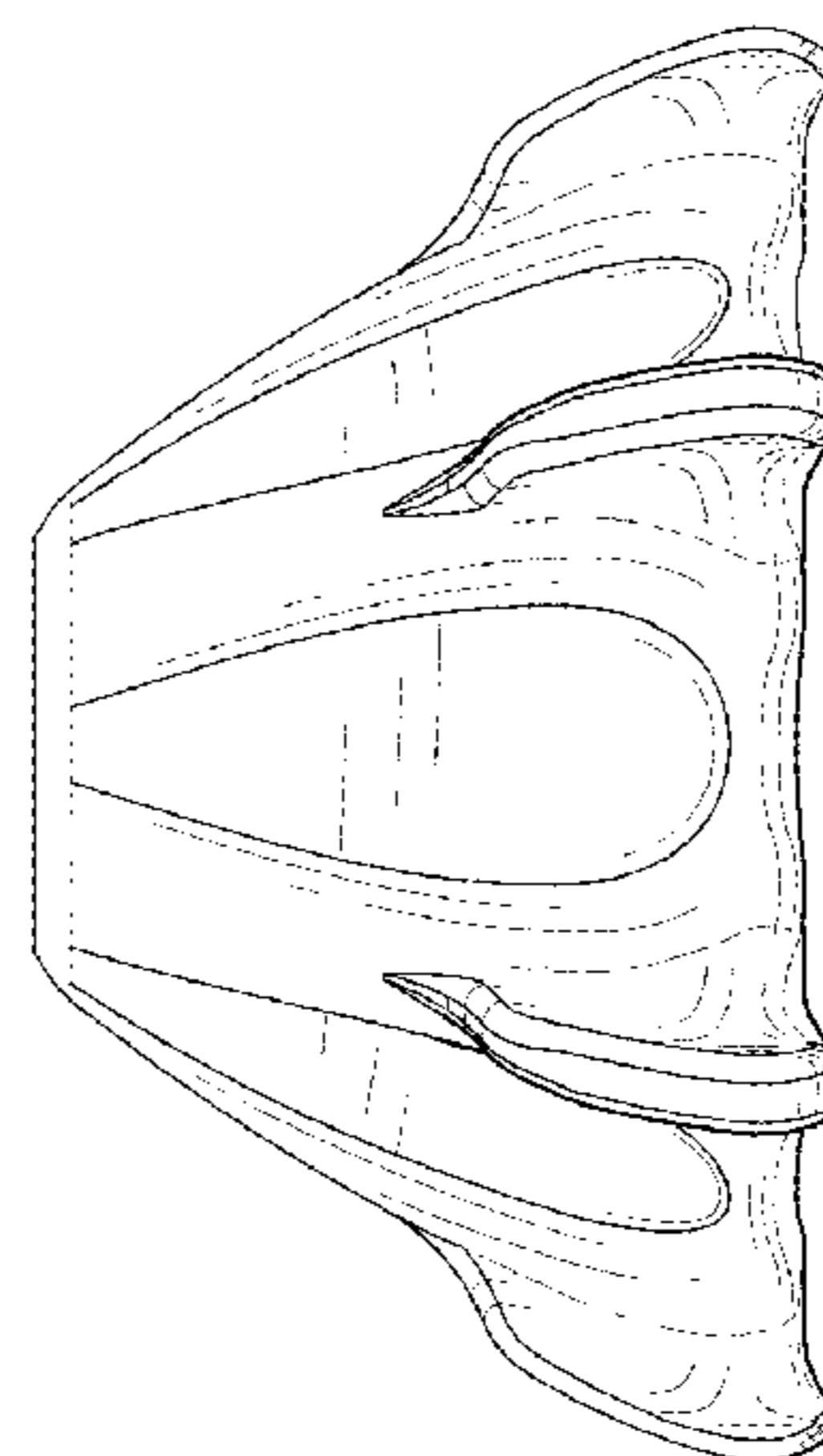
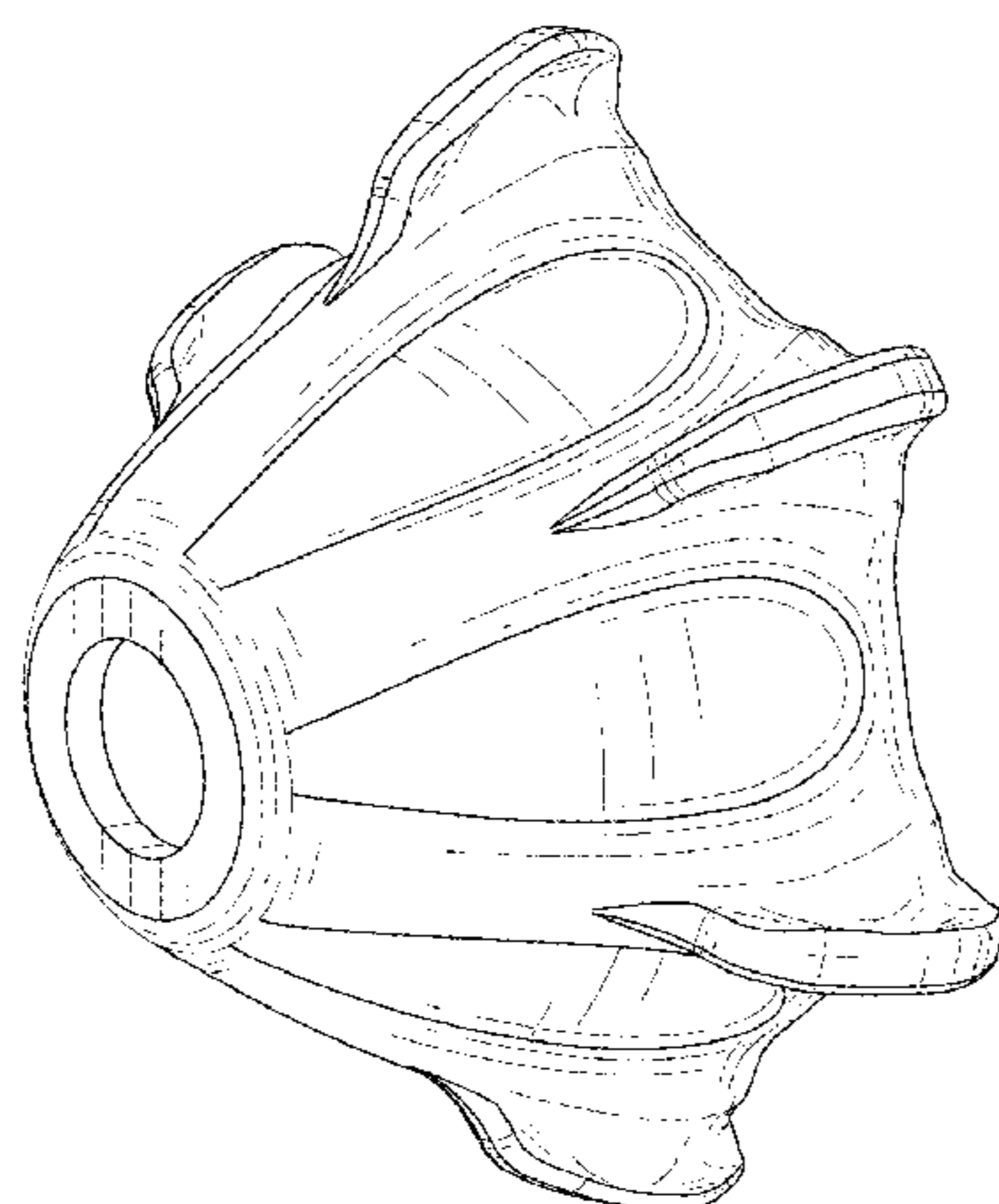
(57) **CLAIM**

The ornamental design for a grip adapter for a debrider blade nosecone, as shown and described.

**DESCRIPTION**

FIG. 1 is a front side perspective view of the grip adapter for a debrider blade nosecone, showing my new design; FIG. 2 is a front view thereof; FIG. 3 is a rear view thereof; and, FIG. 4 is a right side view thereof and which is a mirror image of the left side view. The broken lines shown in the drawings depict portions of the grip adapter for a debrider blade nosecone that form no part of the claimed design.

**1 Claim, 2 Drawing Sheets**



(56)

**References Cited**

U.S. PATENT DOCUMENTS

5,403,312 A \* 4/1995 Yates ..... A61B 17/07207  
606/142  
D365,261 S 12/1995 Munro  
5,601,601 A \* 2/1997 Tal ..... A61B 17/29  
606/174  
5,784,933 A 7/1998 Persellin  
D438,660 S \* 3/2001 De'Armond ..... D26/72  
6,458,142 B1 \* 10/2002 Faller ..... A61B 17/32006  
604/22  
7,204,820 B2 \* 4/2007 Akahoshi ..... A61F 9/00745  
604/22  
D594,983 S \* 6/2009 Price ..... D24/133  
D602,320 S \* 10/2009 Seehoff ..... D8/40  
7,780,659 B2 \* 8/2010 Okada ..... A61B 17/32009  
606/40  
D661,804 S \* 6/2012 Price ..... A61B 17/32009  
D24/133  
D709,194 S \* 7/2014 Miller ..... D24/143  
8,920,419 B2 \* 12/2014 Edwards ..... A61B 18/1482  
606/167

OTHER PUBLICATIONS

Catalogues > Hangzhou Tianren Bio-technology > Endoscopic staplers , posted unknown, [retrieved Apr. 14, 2017]. Retrieved from Internet, <URL: [http://pdf.medicalexpo.com/pdf/hangzhou-tianren-bio-technology/endoscopic-staplers/105192-144290-\\_2.html](http://pdf.medicalexpo.com/pdf/hangzhou-tianren-bio-technology/endoscopic-staplers/105192-144290-_2.html) >.\*

\* cited by examiner

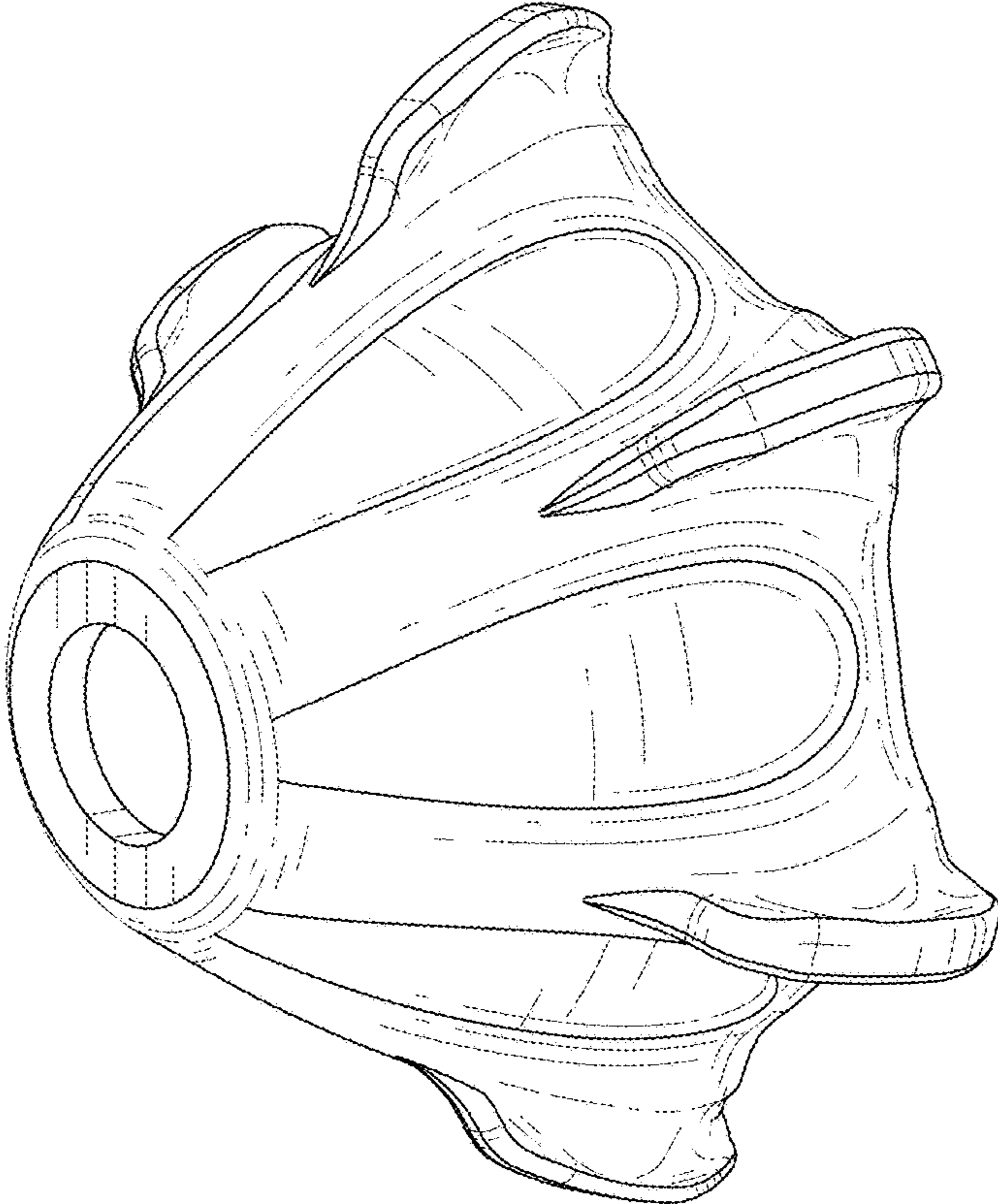


Fig-1

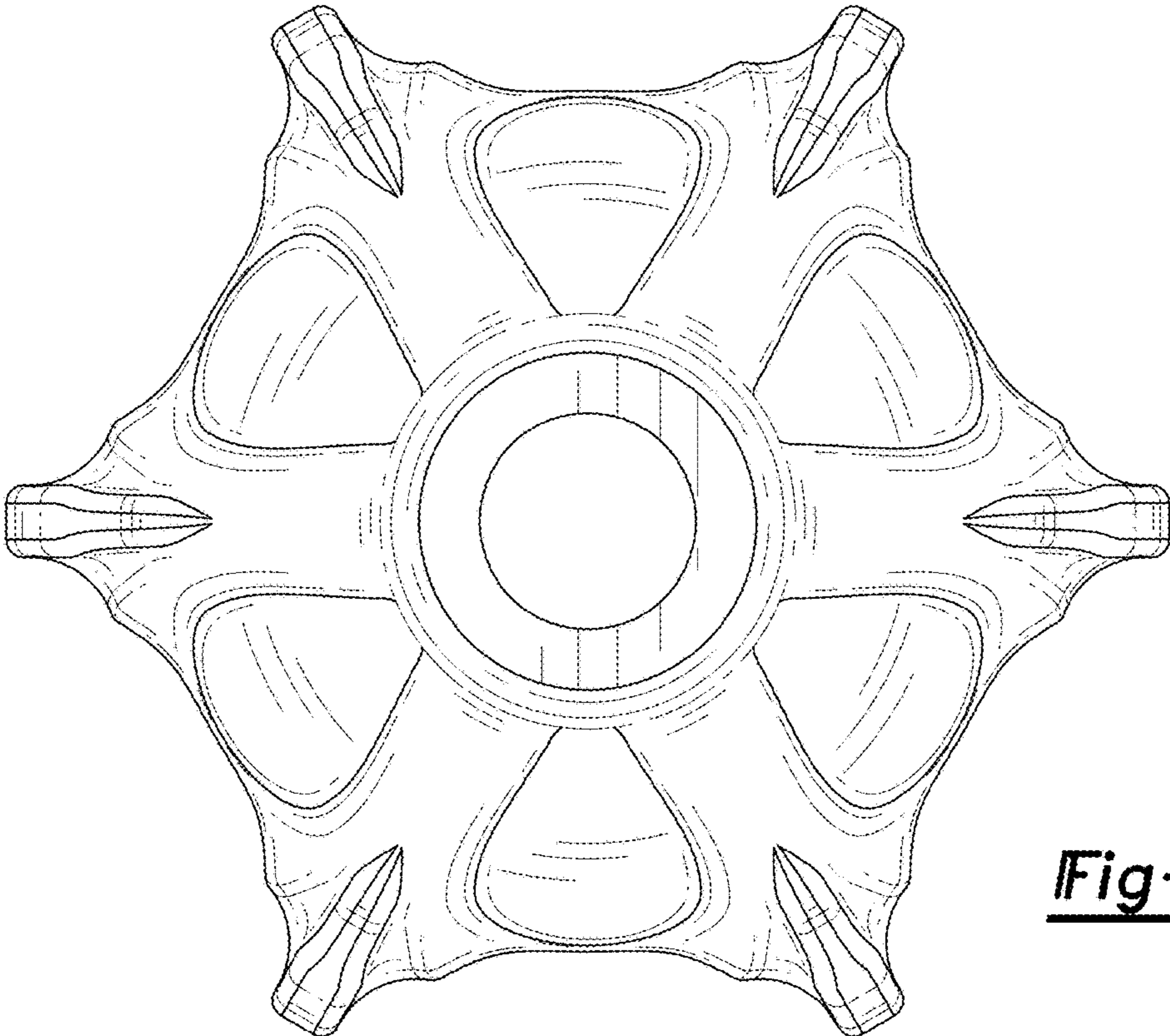


Fig-2



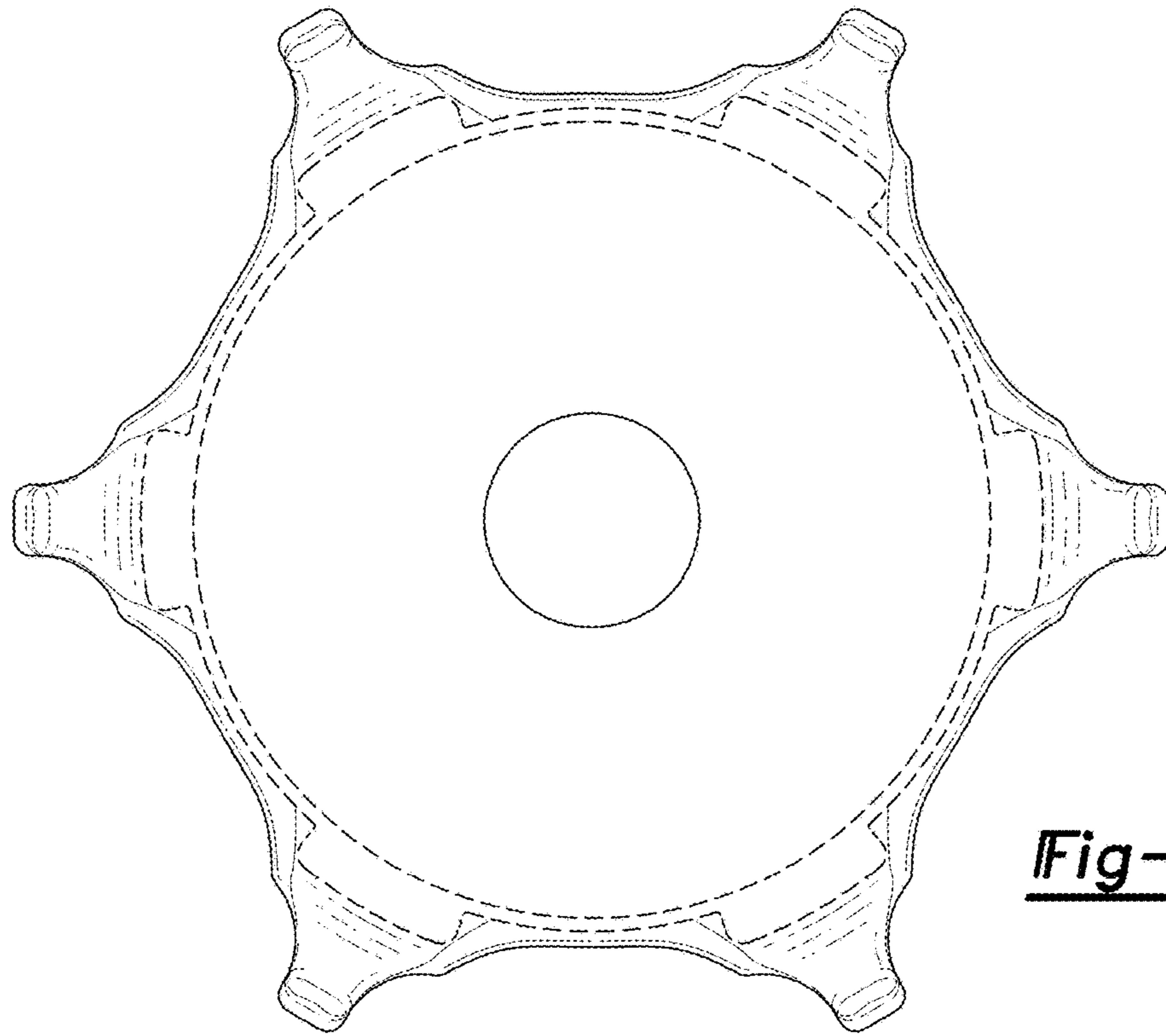


Fig-3

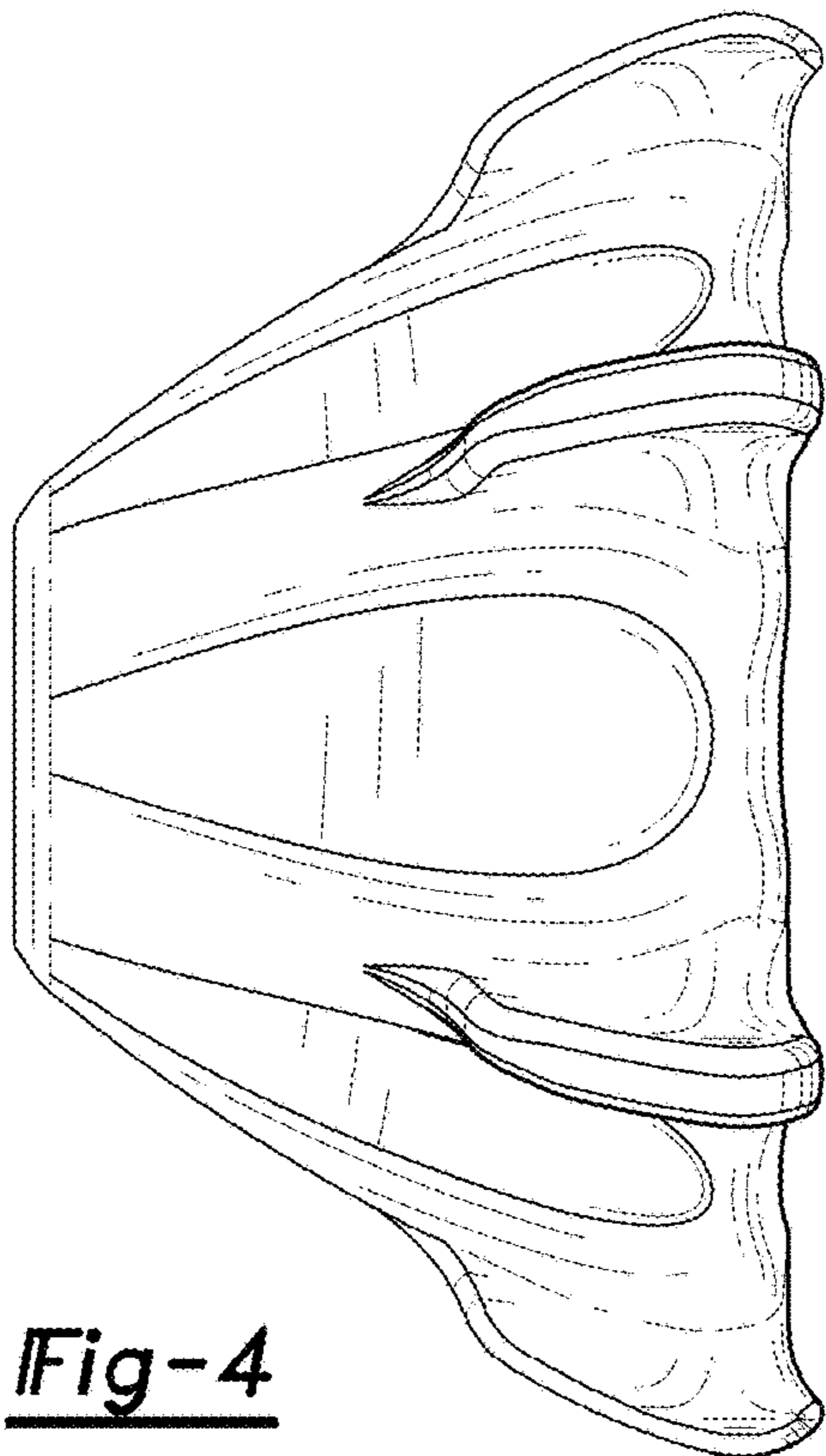


Fig-4