



US00D806491S

(12) **United States Design Patent** (10) **Patent No.:** **US D806,491 S**  
**Glover et al.** (45) **Date of Patent:** **\*\* Jan. 2, 2018**

(54) **MOWER DECK LEVELING TOOL**

(71) Applicant: **Deere & Company**, Moline, IL (US)

(72) Inventors: **Ryan J. Glover**, Campbellsport, WI (US); **Kyle T. Ressler**, West Bend, WI (US)

(73) Assignee: **DEERE & COMPANY**, Moline, IL (US)

(\*\*) Term: **15 Years**

(21) Appl. No.: **29/585,238**

(22) Filed: **Nov. 22, 2016**

(51) **LOC (11) Cl.** ..... **08-05**

(52) **U.S. Cl.**  
USPC ..... **D8/27; D8/17; D8/28**

(58) **Field of Classification Search**  
USPC ..... D8/17, 21-29; 81/58, 58.2, 119, 124.2, 81/124.4, 125.1, 186  
CPC ..... B25B 13/02; B25B 13/08; B25B 13/04; B25B 13/065  
See application file for complete search history.

(56) **References Cited**

**U.S. PATENT DOCUMENTS**

363,331 A 5/1887 Hammer  
909,613 A 1/1909 Kyle

2,501,757 A	3/1950	Cagle	
2,528,128 A	10/1950	Forster	
3,964,170 A	6/1976	Zdarsky	
4,441,306 A	4/1984	Kuhn	
5,345,636 A	9/1994	Lamons	
D353,755 S *	12/1994	Lane	D8/17
6,038,841 A	3/2000	Bates, Jr. et al.	
D422,858 S *	4/2000	Moore	D8/17
D546,649 S *	7/2007	Jennings	D8/21
D689,351 S *	9/2013	Webb, Jr.	D8/17
8,544,249 B2	10/2013	Goebert et al.	
D728,334 S *	5/2015	Magiera	D8/17
2005/0103167 A1	5/2005	Stewart et al.	
2010/0077553 A1	4/2010	Davidson et al.	

\* cited by examiner

*Primary Examiner* — Randall Gholson

(57) **CLAIM**

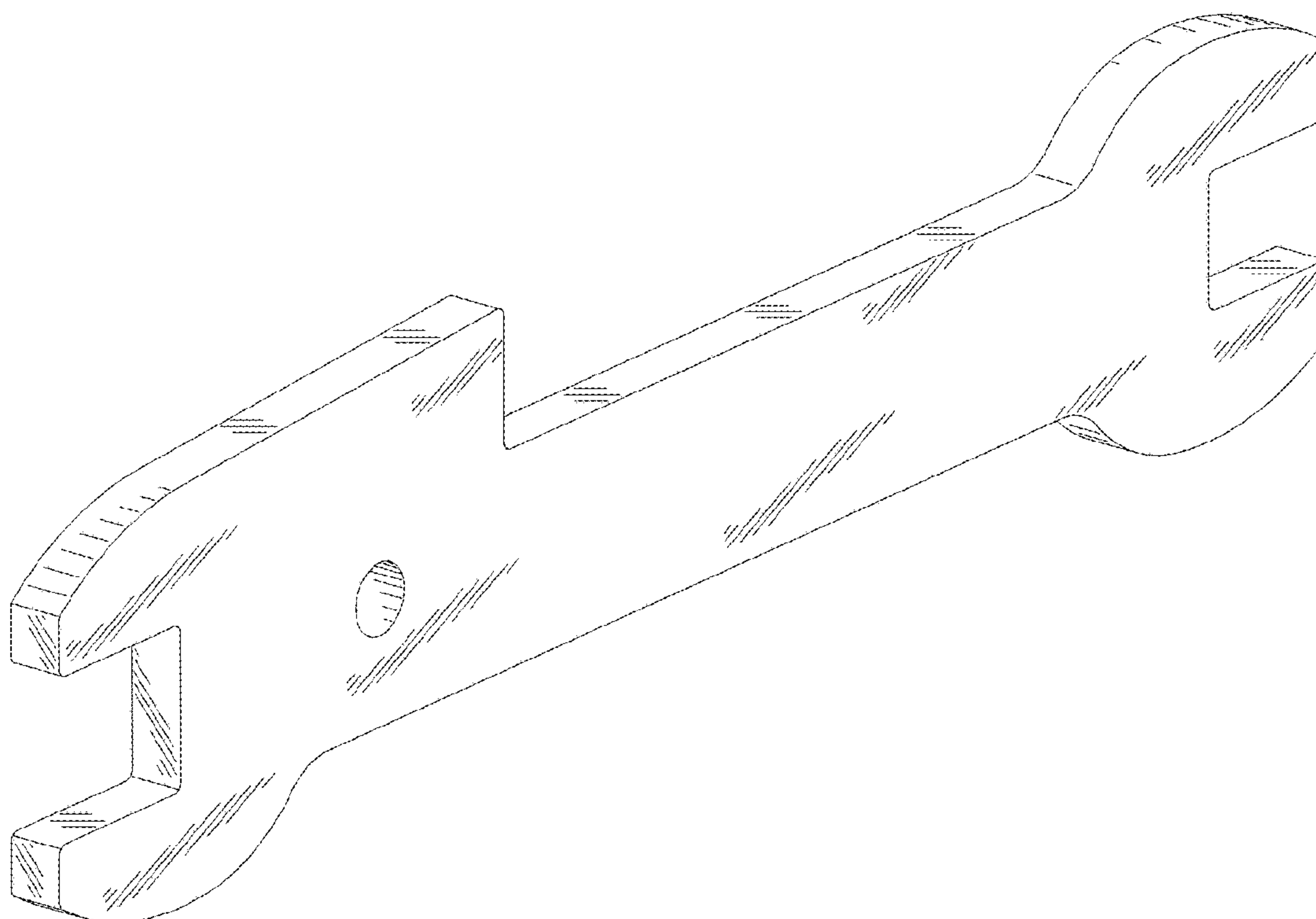
The ornamental design for a mower deck leveling tool, as shown and described.

**DESCRIPTION**

FIG. 1 is the perspective view of the mower deck leveling tool.

FIG. 2 is the top view of the mower deck leveling tool; and, FIG. 3 is the bottom view of the mower deck leveling tool. The left and right sides of the mower deck leveling tool are flat and include no surface ornamentation.

**1 Claim, 3 Drawing Sheets**



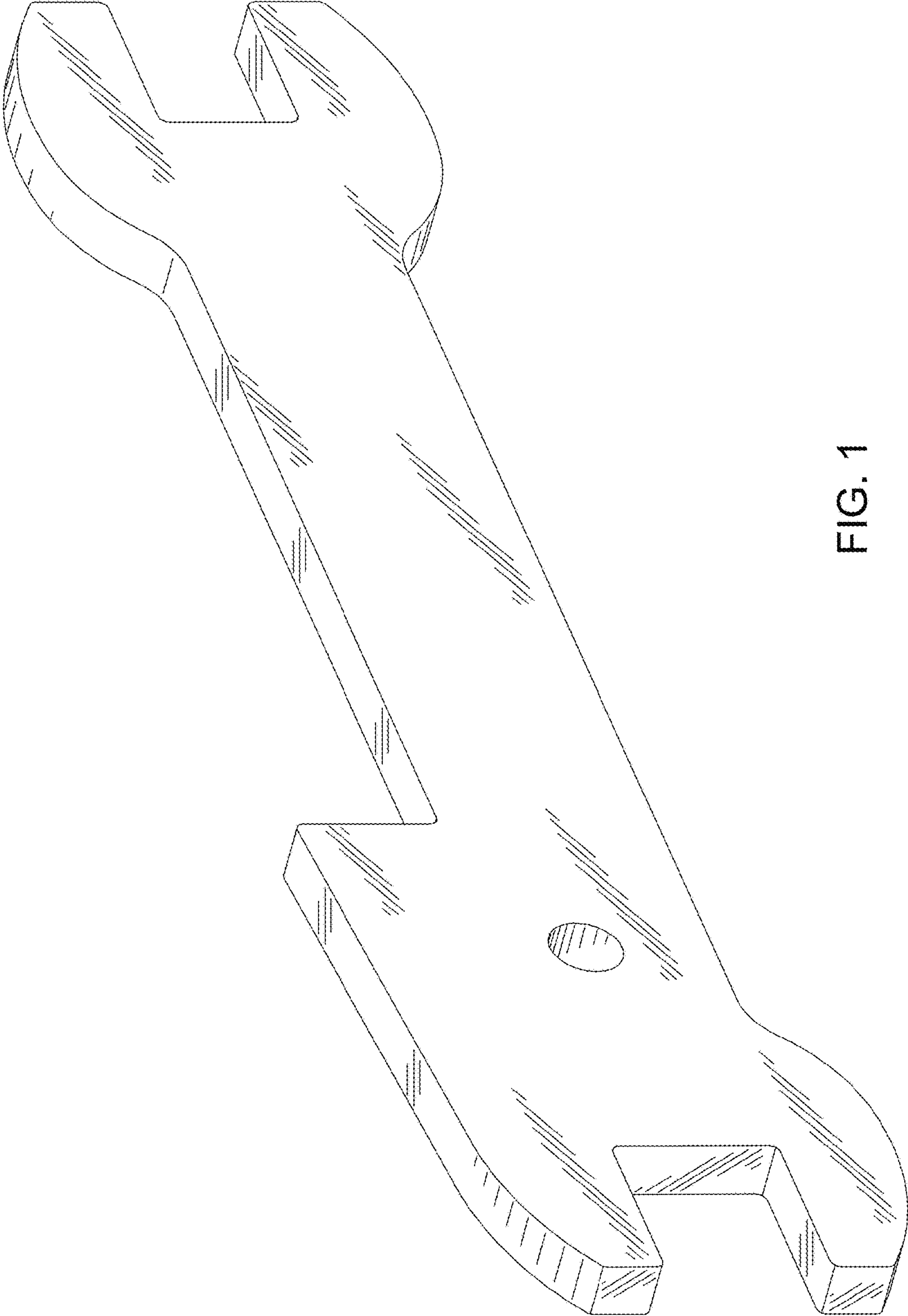


FIG. 1

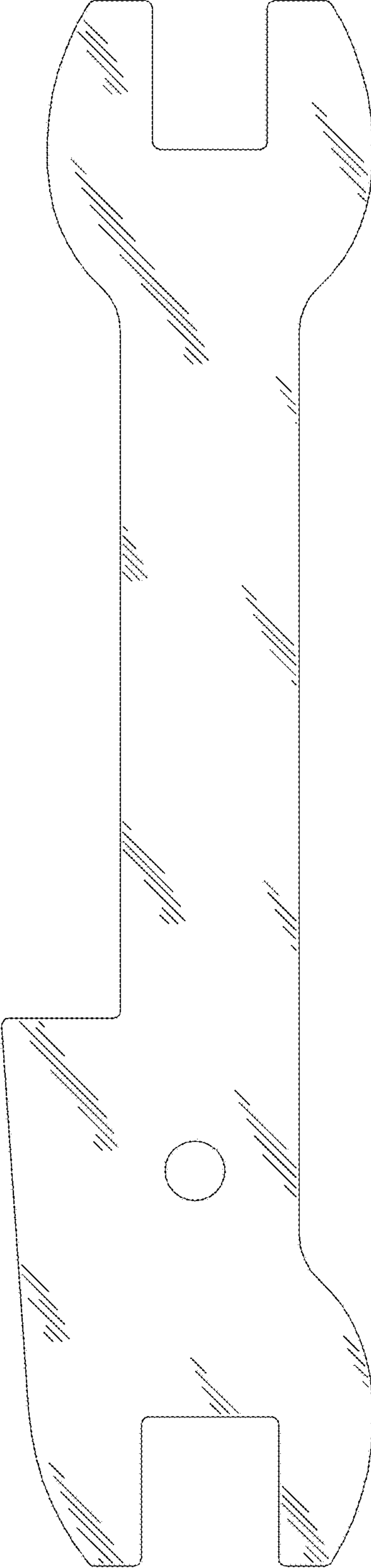


FIG. 2

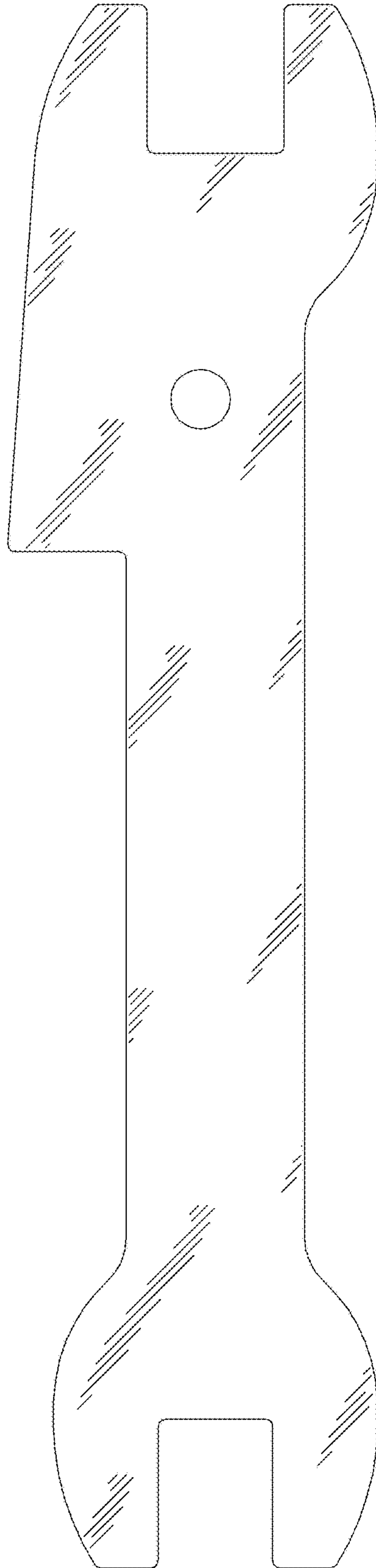


FIG. 3