



US00D806490S

(12) **United States Design Patent**  
**Niswonger**

(10) **Patent No.:** **US D806,490 S**

(45) **Date of Patent:** **\*\* Jan. 2, 2018**

(54) **RAKE HEAD**

(71) Applicant: **John O. H. Niswonger**, Calabasas, CA  
(US)

(72) Inventor: **John O. H. Niswonger**, Calabasas, CA  
(US)

(\*\*) Term: **15 Years**

(21) Appl. No.: **29/581,790**

(22) Filed: **Oct. 21, 2016**

(51) **LOC (11) Cl.** ..... **08-01**

(52) **U.S. Cl.**  
USPC ..... **D8/13**

(58) **Field of Classification Search**  
USPC ..... D21/759, 120; D30/158; D8/1, 13  
CPC . A01G 3/02; A01D 11/06; A01D 5/00; A01D  
7/00; A63B 57/50  
See application file for complete search history.

(56) **References Cited**

U.S. PATENT DOCUMENTS

4,741,150	A *	5/1988	Saksun	.....	A01D 7/00 56/400.01
D329,785	S *	9/1992	Colonello	.....	D8/13
5,179,825	A *	1/1993	Griffiths	.....	A01D 7/00 56/400.05
5,230,385	A *	7/1993	Dinatale	.....	A63B 57/50 172/378
D350,464	S *	9/1994	Colonello	.....	D8/13
D373,056	S *	8/1996	Hueber	.....	8/13

D393,191	S *	4/1998	Latto	.....	4/136
D397,592	S *	9/1998	Widmer	.....	8/13
D409,461	S *	5/1999	Kiefer	.....	4/119
5,927,057	A *	7/1999	Hueber	.....	A63B 57/50 56/400.04
D437,533	S *	2/2001	South	.....	8/13
D439,119	S *	3/2001	Colonello	.....	8/13
D458,095	S *	6/2002	Hueber	.....	D8/13
D475,588	S *	6/2003	Daniels	.....	D8/13
D500,237	S *	12/2004	Niswonger	.....	D8/13
D506,368	S *	6/2005	Niswonger	.....	D8/13
D506,656	S *	6/2005	Garske	.....	D8/13
D560,451	S *	1/2008	Silicato	.....	D8/13
2007/0101524	A1 *	5/2007	Pfister	.....	A01D 7/00 15/105

\* cited by examiner

*Primary Examiner* — Sheryl Lane

(74) *Attorney, Agent, or Firm* — Ronald L. Rohde

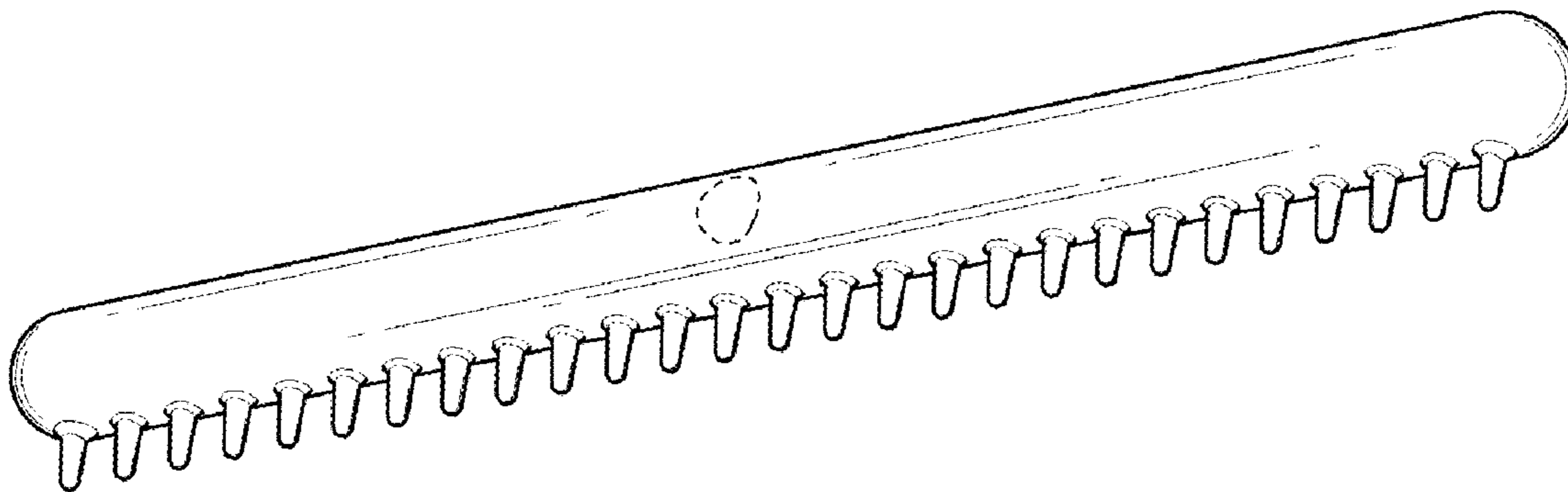
(57) **CLAIM**

The ornamental design for a rake head, as shown and described.

**DESCRIPTION**

FIG. 1 is perspective view of my new design for a rake head; FIG. 2 is a front elevation view thereof, the rear elevation view being a mirror image of the front; FIG. 3 is a top view thereof; FIG. 4 is a bottom view thereof; and, FIG. 5 is a right side elevation view thereof, the left side being a mirror image. The portions of the article shown in broken lines form no part of the claimed design.

**1 Claim, 1 Drawing Sheet**



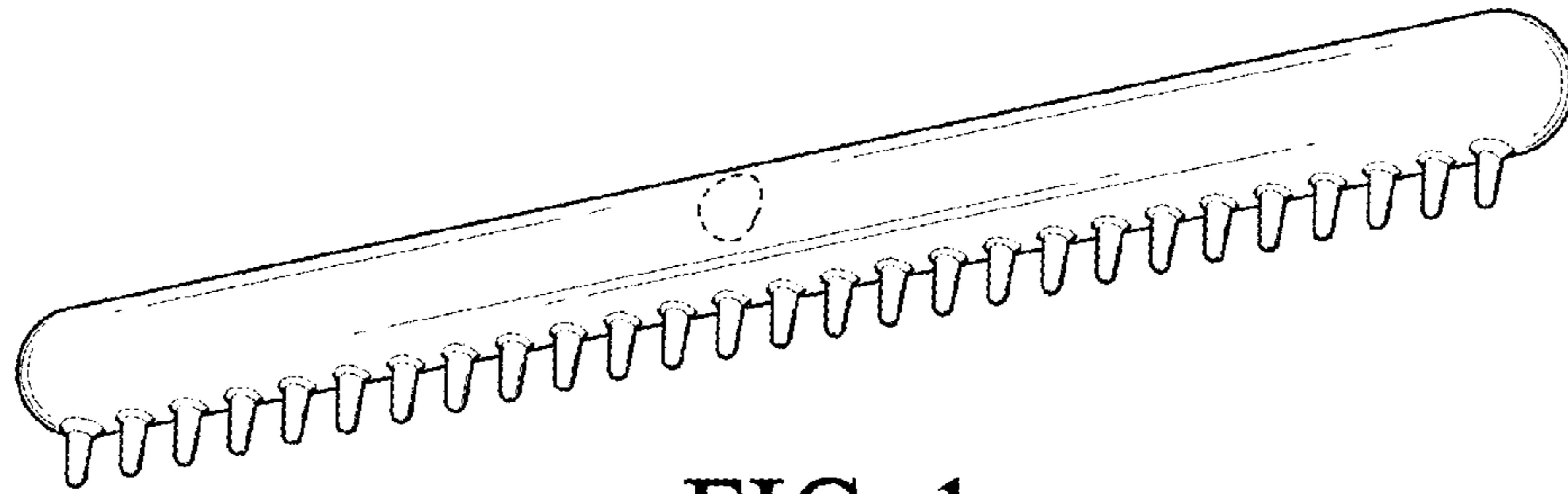


FIG. 1

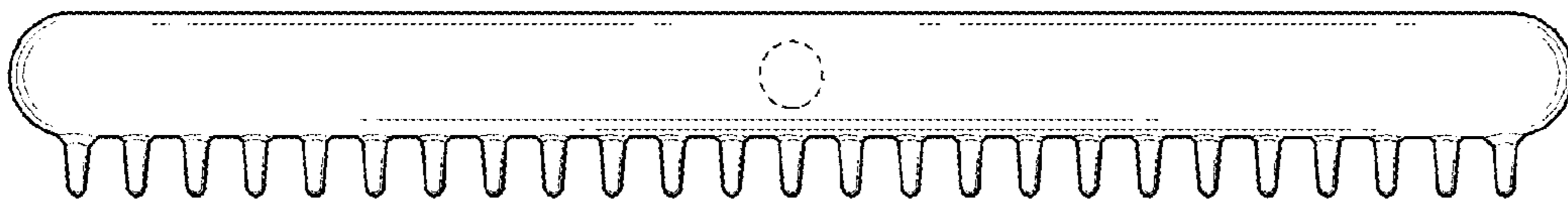


FIG. 2

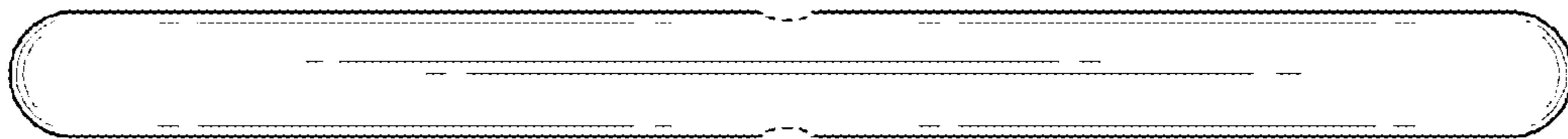


FIG. 3

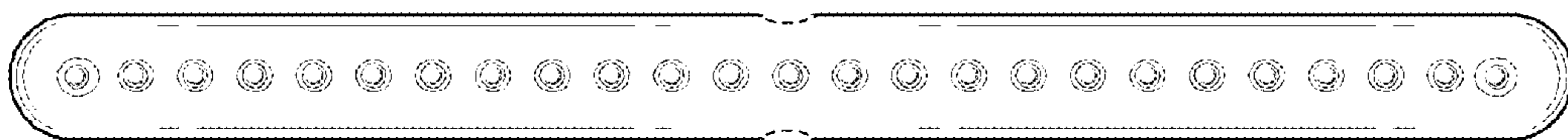


FIG. 4

FIG. 5

