



US00D806487S

(12) **United States Design Patent**
Elvin-Jensen

(10) **Patent No.:** **US D806,487 S**
(45) **Date of Patent:** **** Jan. 2, 2018**

- (54) **HOLDER FOR WINE BOTTLES**
- (71) Applicant: **InterCrate Container Corp.**, West Vancouver (CA)
- (72) Inventor: **Justin Elvin-Jensen**, West Vancouver (CA)
- (73) Assignee: **InterCrate Container Corp.**, West Vancouver (CA)
- (**) Term: **15 Years**
- (21) Appl. No.: **29/571,875**
- (22) Filed: **Jul. 22, 2016**
- (51) **LOC (11) Cl.** **07-06**
- (52) **U.S. Cl.**
USPC **D7/701**
- (58) **Field of Classification Search**
USPC D3/313; D6/552, 672; D7/601, 602, D7/619.1, 620, 624.1, 701-704, 707, 708; D9/414, 427, 428, 443, 455-457, 753; D32/58
CPC B65D 71/00
See application file for complete search history.

- 4,940,141 A * 7/1990 Philpot B65D 21/02 206/430
- D661,902 S * 6/2012 Italiano D3/313
- D767,393 S * 9/2016 Giorgis D9/433
- D774,368 S * 12/2016 Gresham D7/701
- D777,528 S * 1/2017 Landphere D12/419

OTHER PUBLICATIONS

Vurni. 27 Modern Modular Wine Racks. Aug. 11, 2015 [earliest online date], [site visited Jul. 18, 2017]. Available from Internet, <URL:http://vurni.com/modern-modular-wine-racks/>.*

* cited by examiner

Primary Examiner — Robert M Spear
Assistant Examiner — Darcey E Heflin
(74) *Attorney, Agent, or Firm* — Smiths IP; Lawrence Chan

(57) **CLAIM**

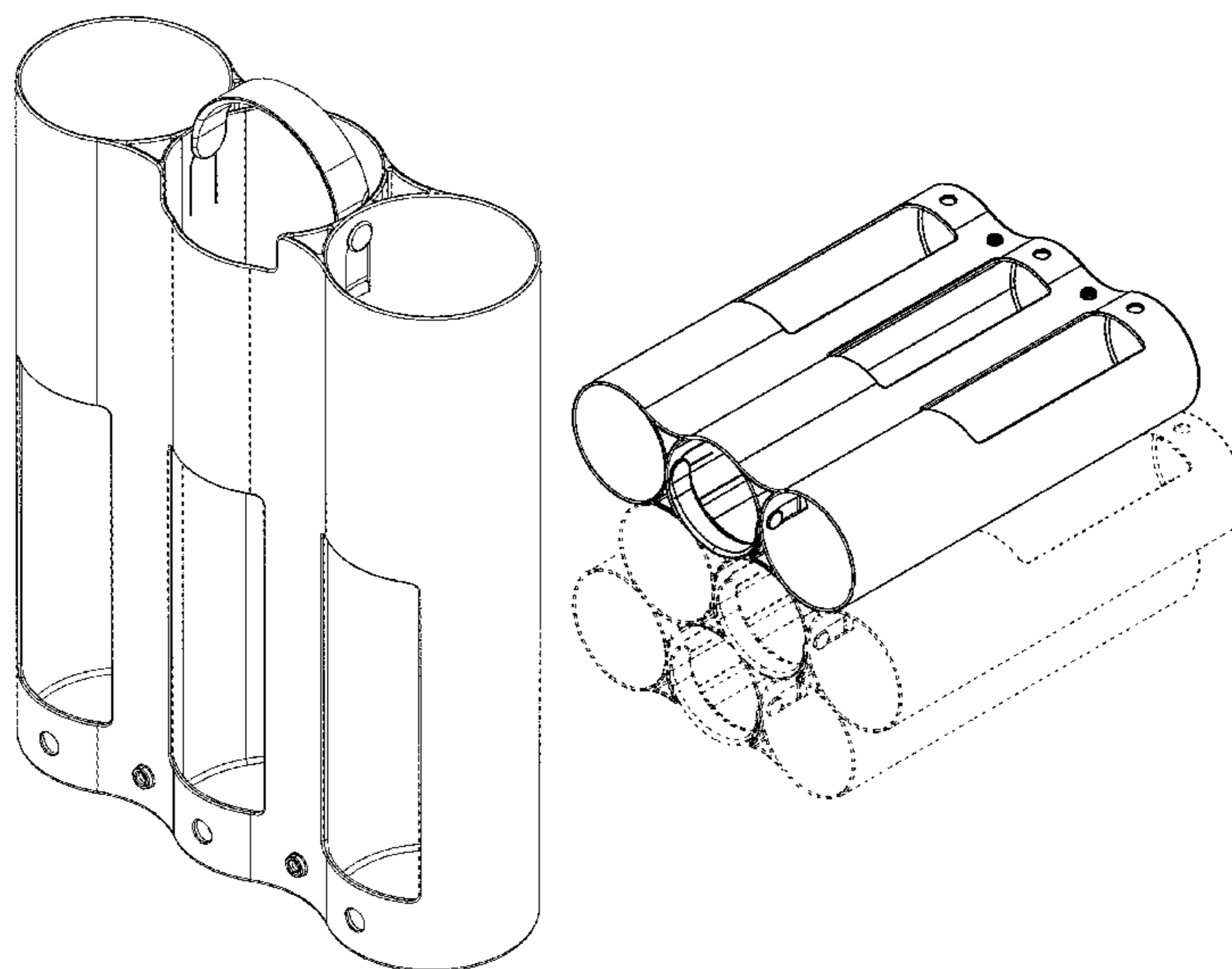
The ornamental design for a holder for wine bottles, as shown and described.

DESCRIPTION

FIG. 1 is a perspective view of a holder for wine bottles showing my new design, wherein the handle is in the disengaged position;
FIG. 2 is a top view thereof;
FIG. 3 is a bottom view thereof;
FIG. 4 is a front view thereof;
FIG. 5 is a rear view thereof;
FIG. 6 is a left side view thereof, the right side view being identical;
FIG. 7 is a perspective view thereof, wherein the handle is in the engaged position; and,
FIG. 8 is a perspective view thereof, wherein the broken lines showing portions of a holder for wine bottles depict environment and form no part of the claimed design.

1 Claim, 8 Drawing Sheets

- (56) **References Cited**
U.S. PATENT DOCUMENTS
- 2,094,009 A * 9/1937 Goebert B65D 71/00 206/3
- 2,553,071 A * 5/1951 Van Sant B65D 71/00 206/532
- 3,255,877 A * 6/1966 Kracht B65D 1/36 206/432
- 3,734,278 A * 5/1973 Kerrigan B65D 71/10 206/144
- D233,120 S * 10/1974 Dawson 211/74
- 4,305,512 A * 12/1981 Mackenzie A47F 7/281 211/59.2
- 4,333,570 A * 6/1982 Heider B65D 71/10 206/432



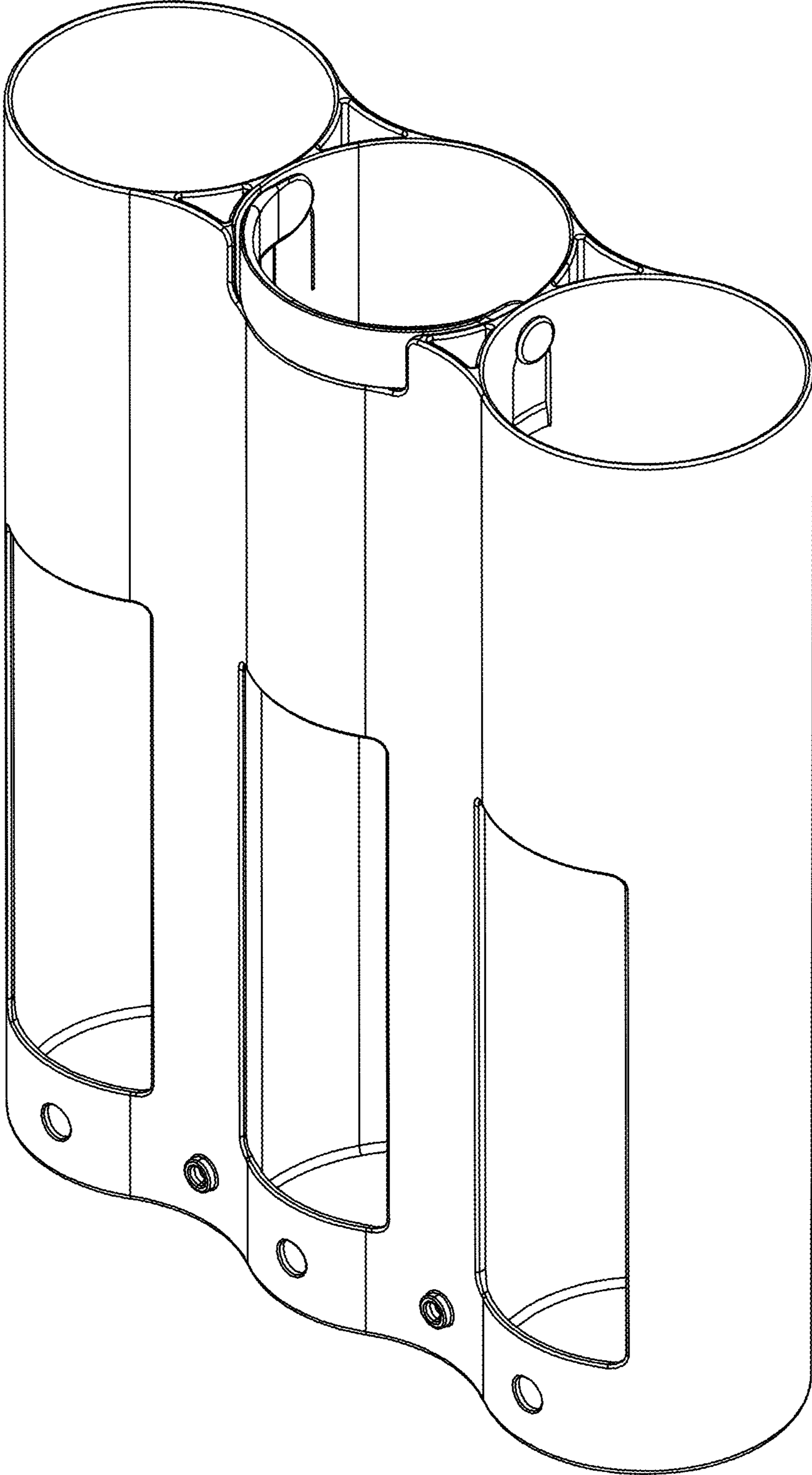


Fig. 1

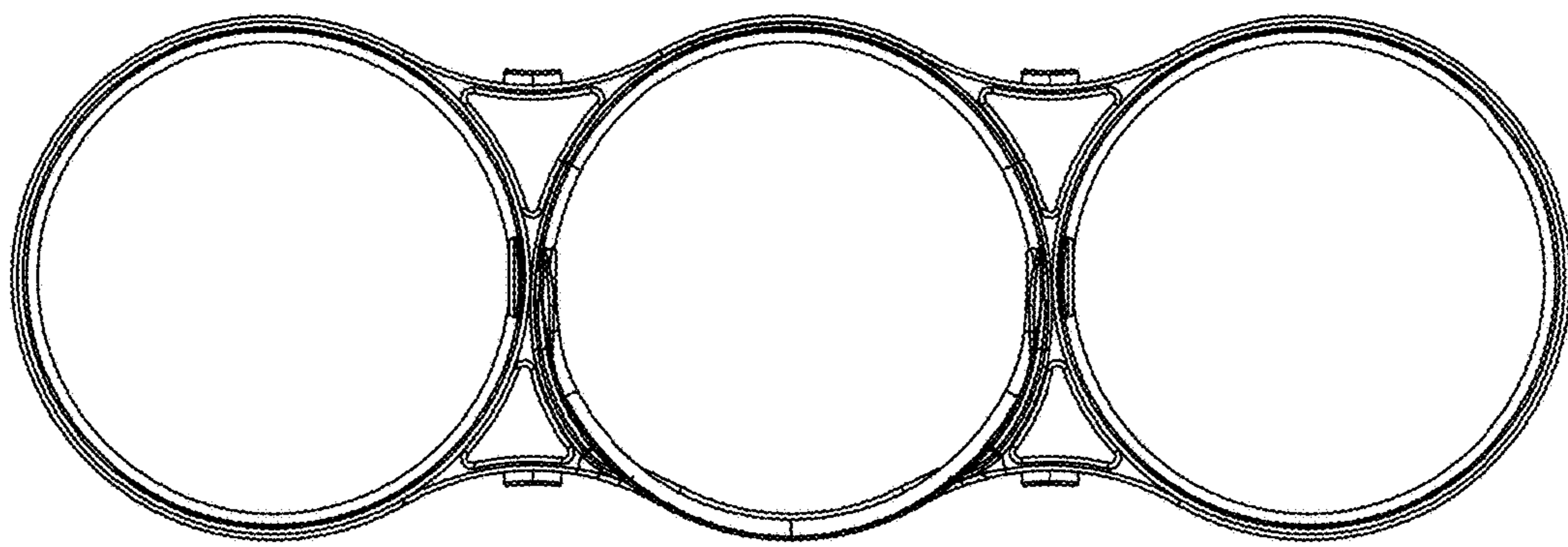


Fig. 2

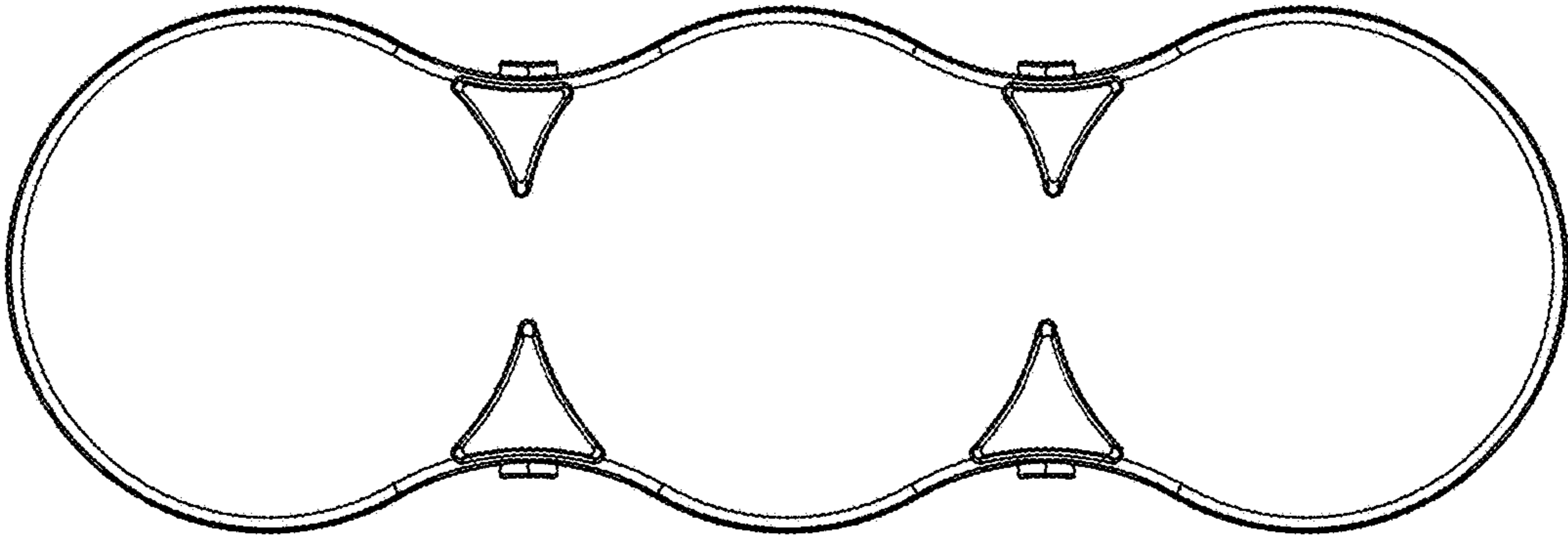


Fig. 3

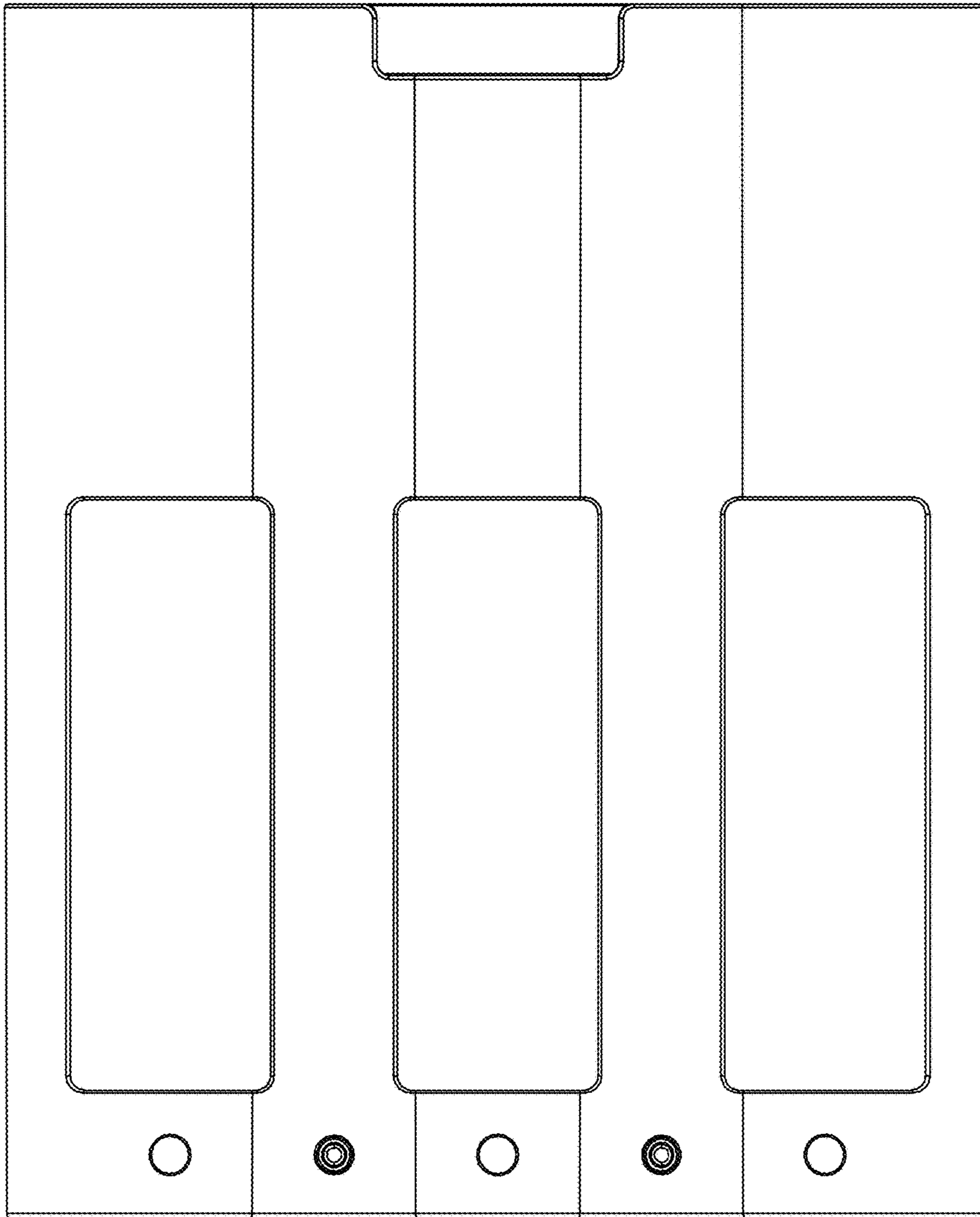


Fig. 4

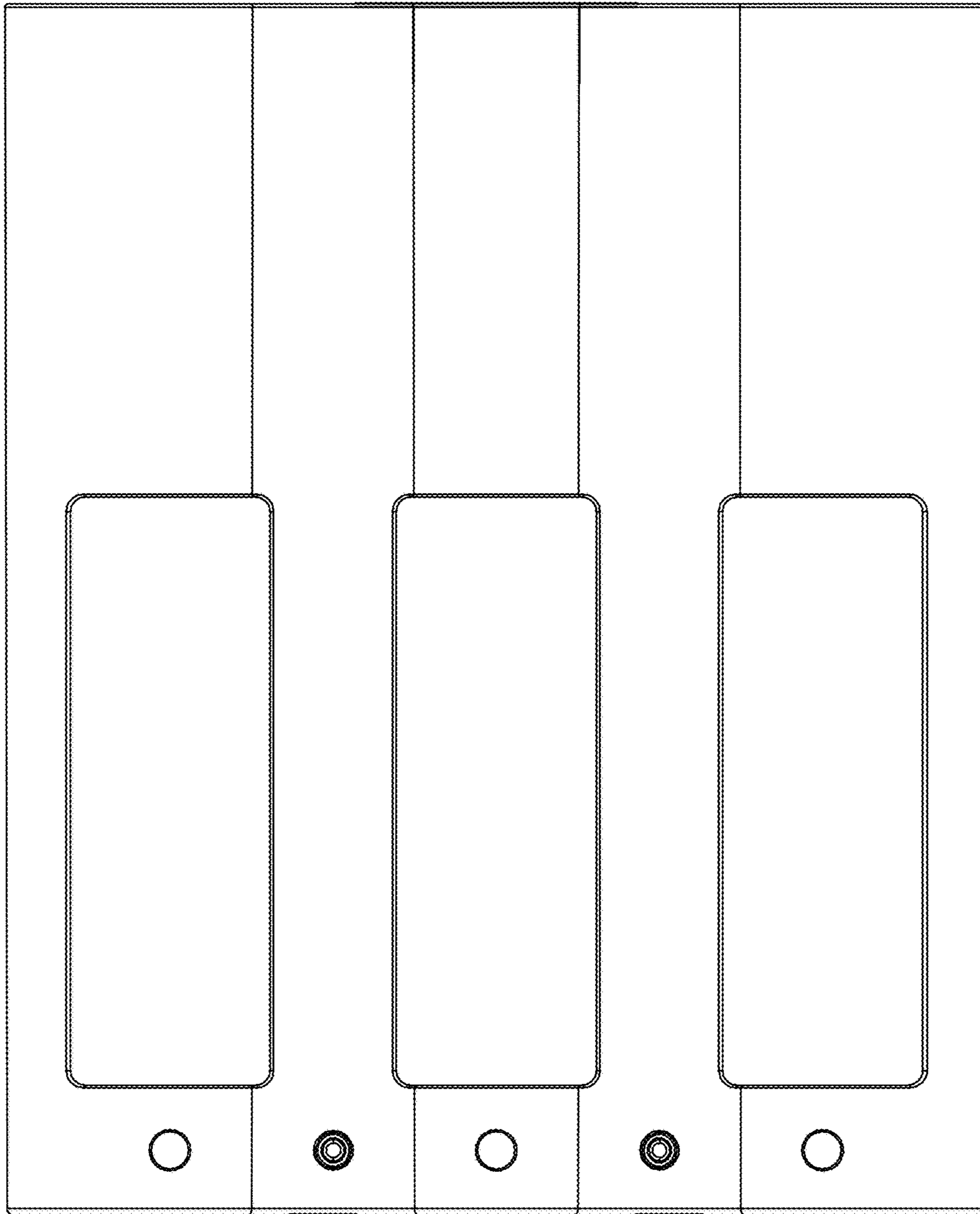


Fig. 5

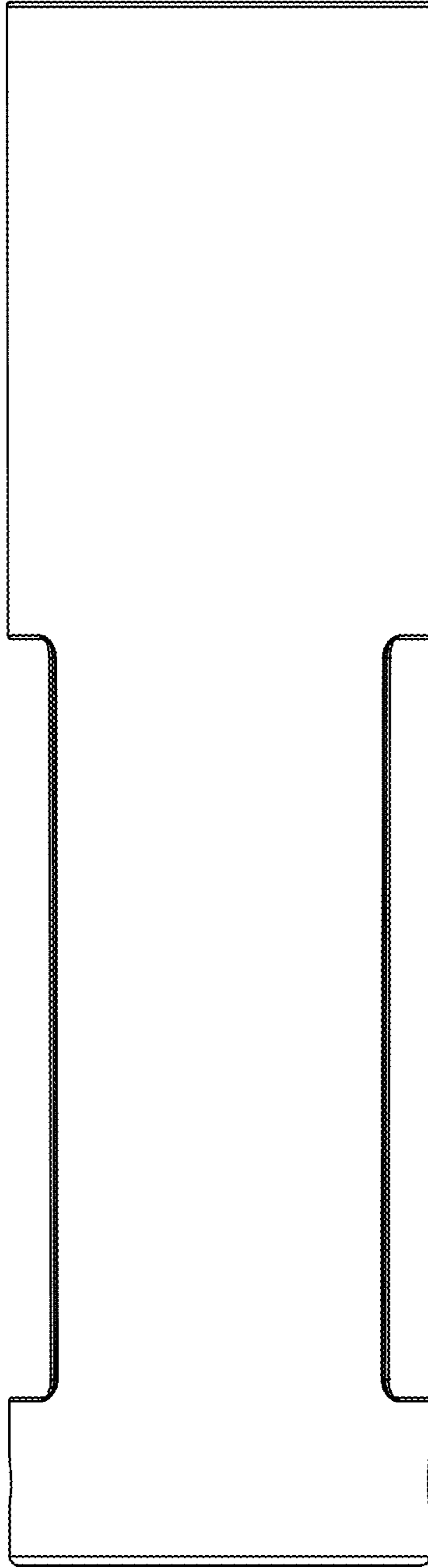


Fig. 6

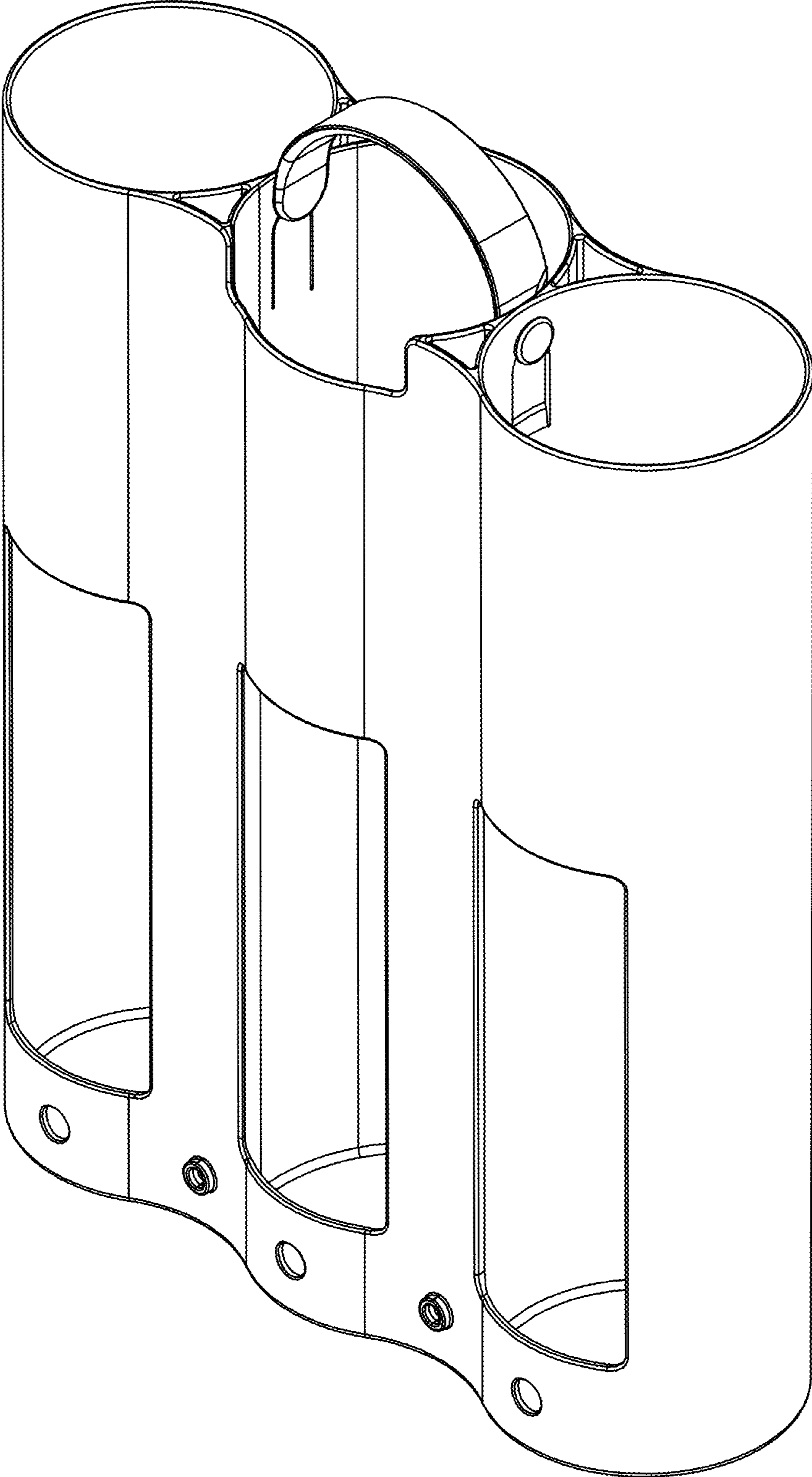


Fig. 7

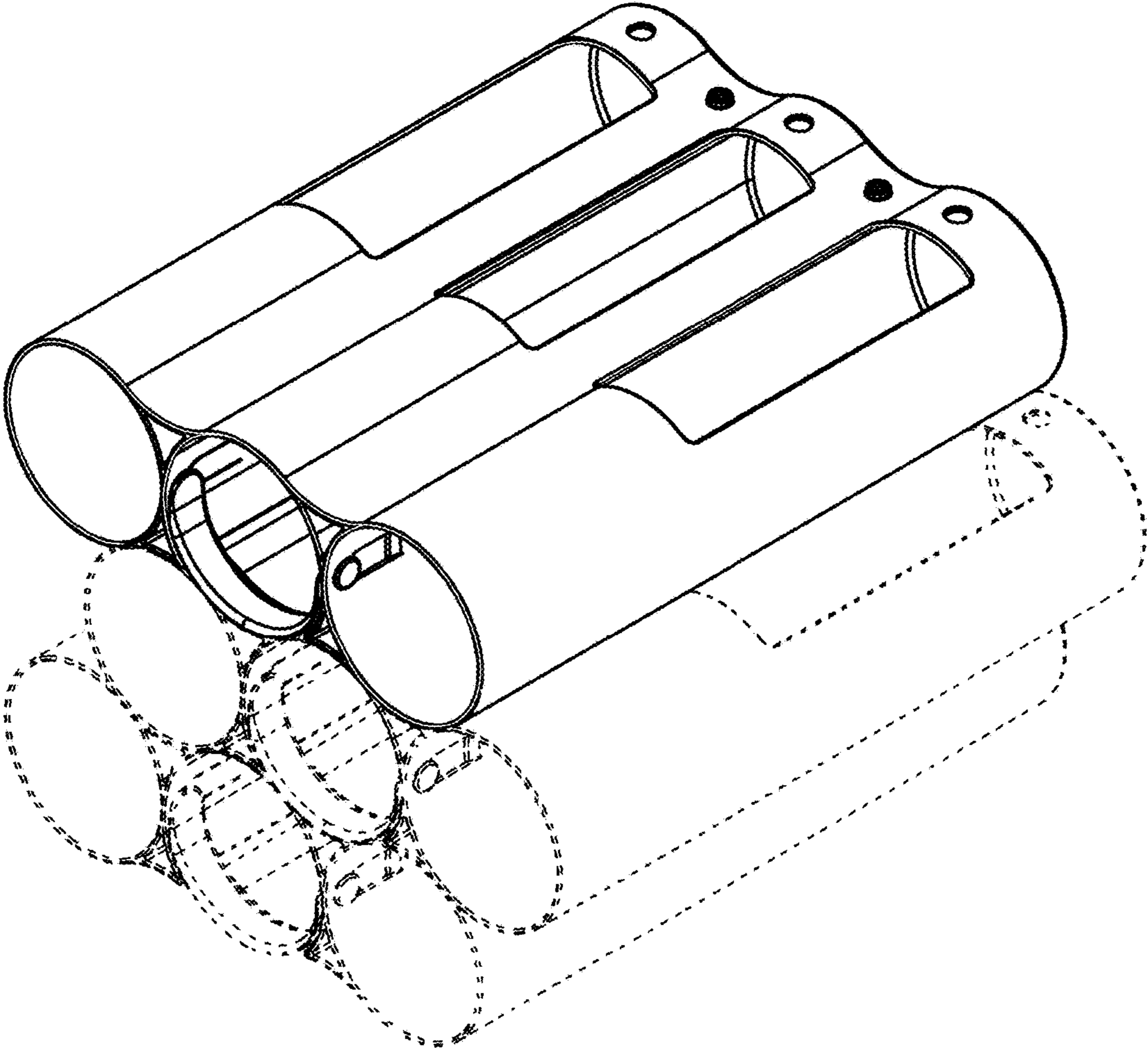


Fig. 8