



US00D806484S

(12) **United States Design Patent**
Boyden

(10) **Patent No.:** **US D806,484 S**
(45) **Date of Patent:** **** Jan. 2, 2018**

- (54) **BOTTLE STAND**
- (71) Applicant: **Andrew Boyden**, Fort Wayne, IN (US)
- (72) Inventor: **Andrew Boyden**, Fort Wayne, IN (US)
- (**) Term: **15 Years**
- (21) Appl. No.: **29/578,549**
- (22) Filed: **Sep. 22, 2016**
- (51) **LOC (11) Cl.** **07-06**
- (52) **U.S. Cl.**
USPC **D7/619.1**
- (58) **Field of Classification Search**
USPC D7/619.1-625, 701-708; D24/199
CPC A47G 7/044; A47G 23/02; A47F 7/283;
A47F 7/28; B60N 3/102
See application file for complete search history.

D394,209 S	5/1998	Millet	
5,950,831 A	9/1999	Millet	
6,003,693 A	12/1999	Blickenstaff	
D434,495 S	11/2000	Whalen et al.	
D447,012 S *	8/2001	Owens	D7/620
6,345,723 B1	2/2002	Blake	
D494,471 S	8/2004	Chou	
D505,328 S	5/2005	Chou	
D534,397 S	1/2007	Burch	
D551,513 S *	9/2007	Fiorella	D28/61
D560,441 S	1/2008	Kacmarynski	
7,364,129 B1	4/2008	Levari, Jr.	
7,562,853 B2 *	7/2009	Mazzola	A47G 7/044 248/311.2
D620,982 S *	8/2010	Parshad	D19/81
D640,386 S *	6/2011	Rhoades	D24/199
D724,346 S *	3/2015	Lim	D6/553

* cited by examiner

Primary Examiner — Terry Wallace

(56) **References Cited**

U.S. PATENT DOCUMENTS

D251,426 S *	3/1979	Molyneux	D14/229
4,278,225 A *	7/1981	Phelps	A61J 1/06 248/311.3
D265,508 S	7/1982	Rusteberg	
D286,509 S	11/1986	Havis	
D287,789 S	1/1987	Johnson	
D290,794 S *	7/1987	Mingledorff, Jr.	D24/199
D304,670 S	11/1989	Johnson	
D313,341 S	1/1991	Gaboriault	
D325,636 S *	4/1992	Putnam	D24/199
5,141,194 A	8/1992	Burgess et al.	
5,180,066 A *	1/1993	McArdle	A47F 7/28 211/73
D343,767 S	2/1994	Sambrookes	
D346,659 S *	5/1994	Adams	D24/199
D355,337 S	2/1995	Eisenbraun et al.	
D377,885 S *	2/1997	Knapton	D7/619.1
5,624,043 A	4/1997	Baptista	
D384,877 S	10/1997	Perrin et al.	
D391,122 S *	2/1998	Wu	D6/678.4

(57) **CLAIM**

The ornamental design for a bottle stand, as shown.

DESCRIPTION

FIG. 1 is a perspective view of a bottle stand showing my new design.

FIG. 2 is a front view thereof.

FIG. 3 is a rear view thereof.

FIG. 4 is a left side view thereof.

FIG. 5 is a right side view thereof.

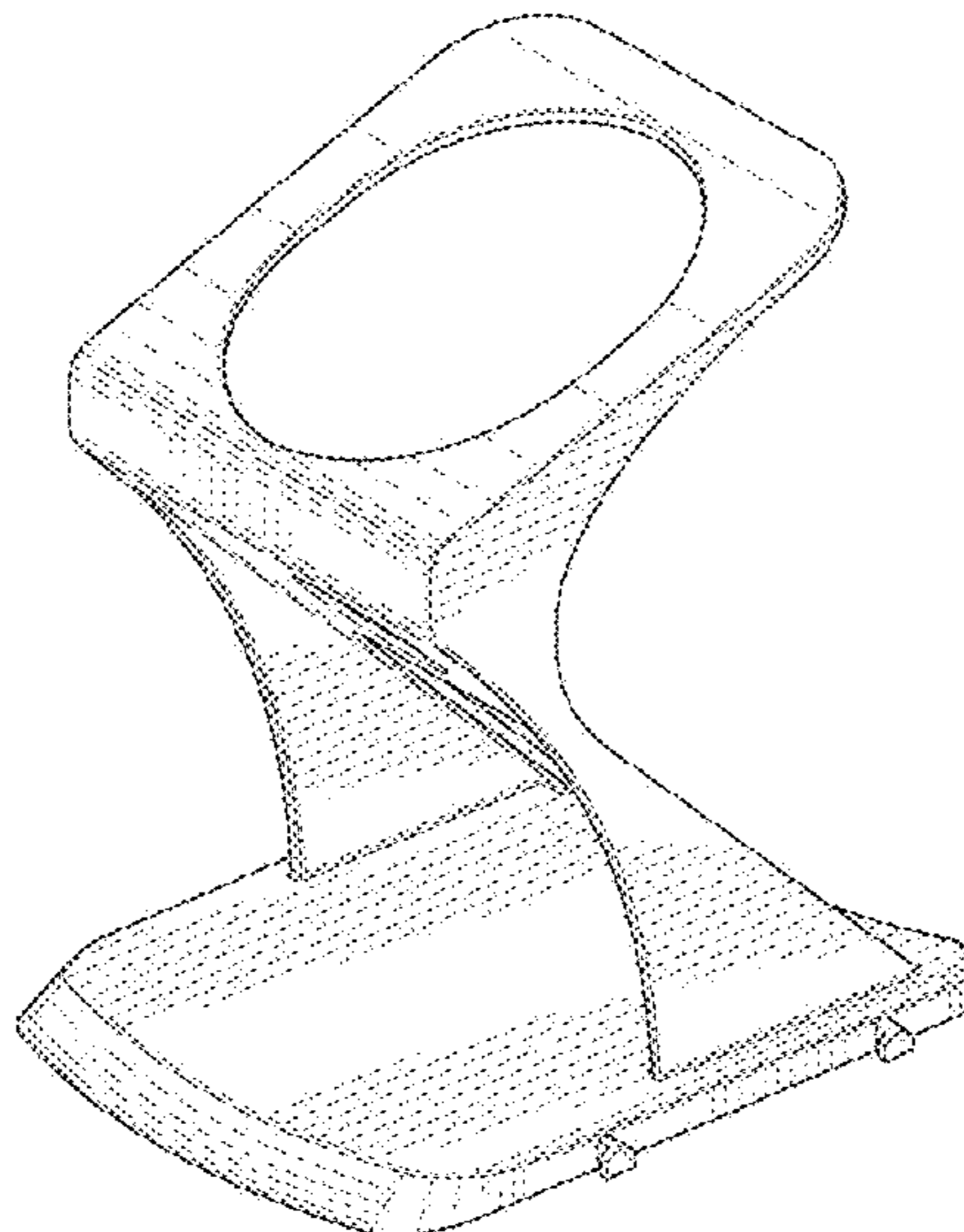
FIG. 6 is a top plan view thereof; and,

FIG. 7 is a bottom plan view thereof.

The ornamental bottle stand is not limited to the scale or size shown herein. As indicated in the title, the article of manufacture to which the ornamental design has been applied is a bottle stand.

In each Figure, marks indicating shading within the border of the figure are to show contour and shape only.

1 Claim, 5 Drawing Sheets



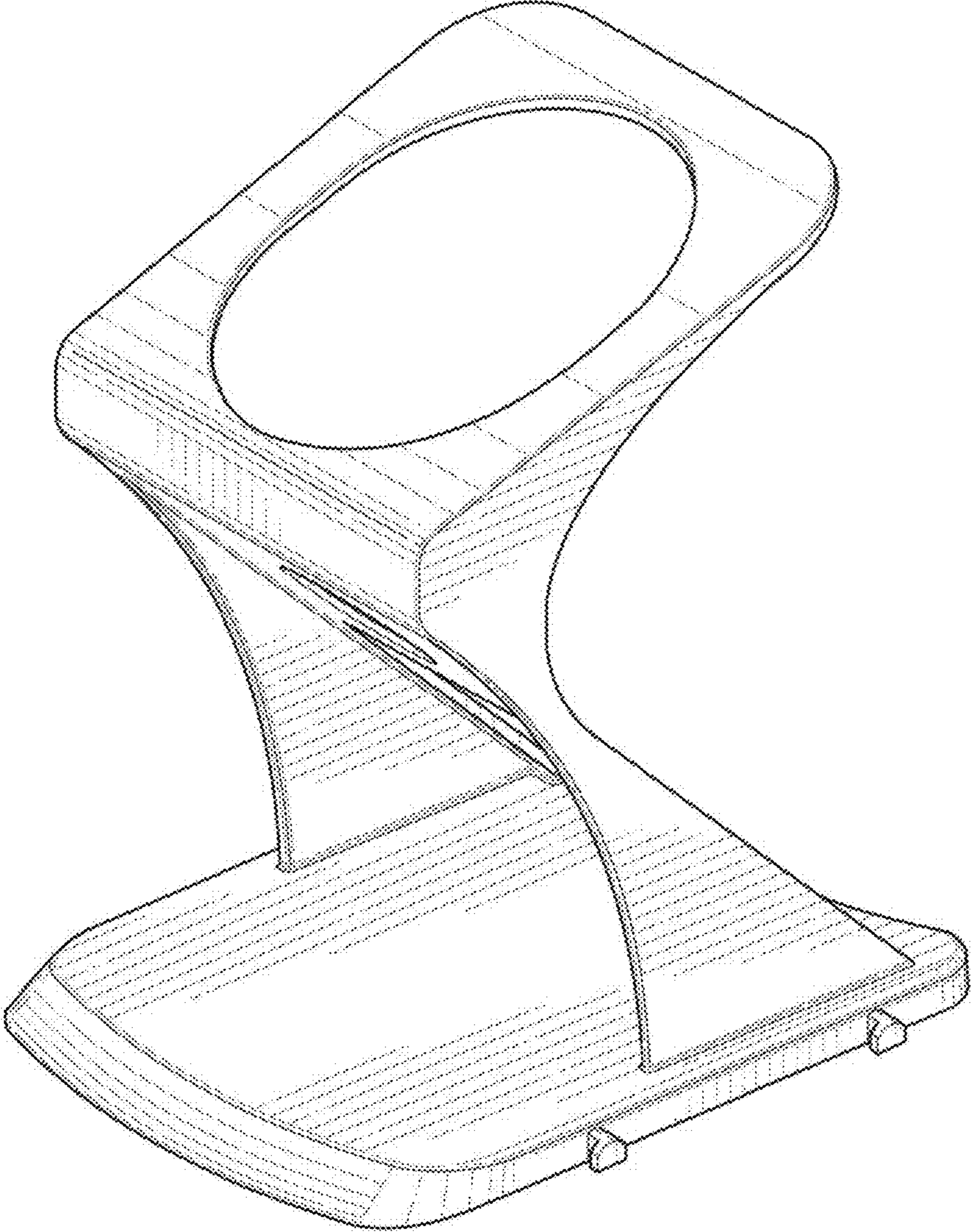


FIG. 1

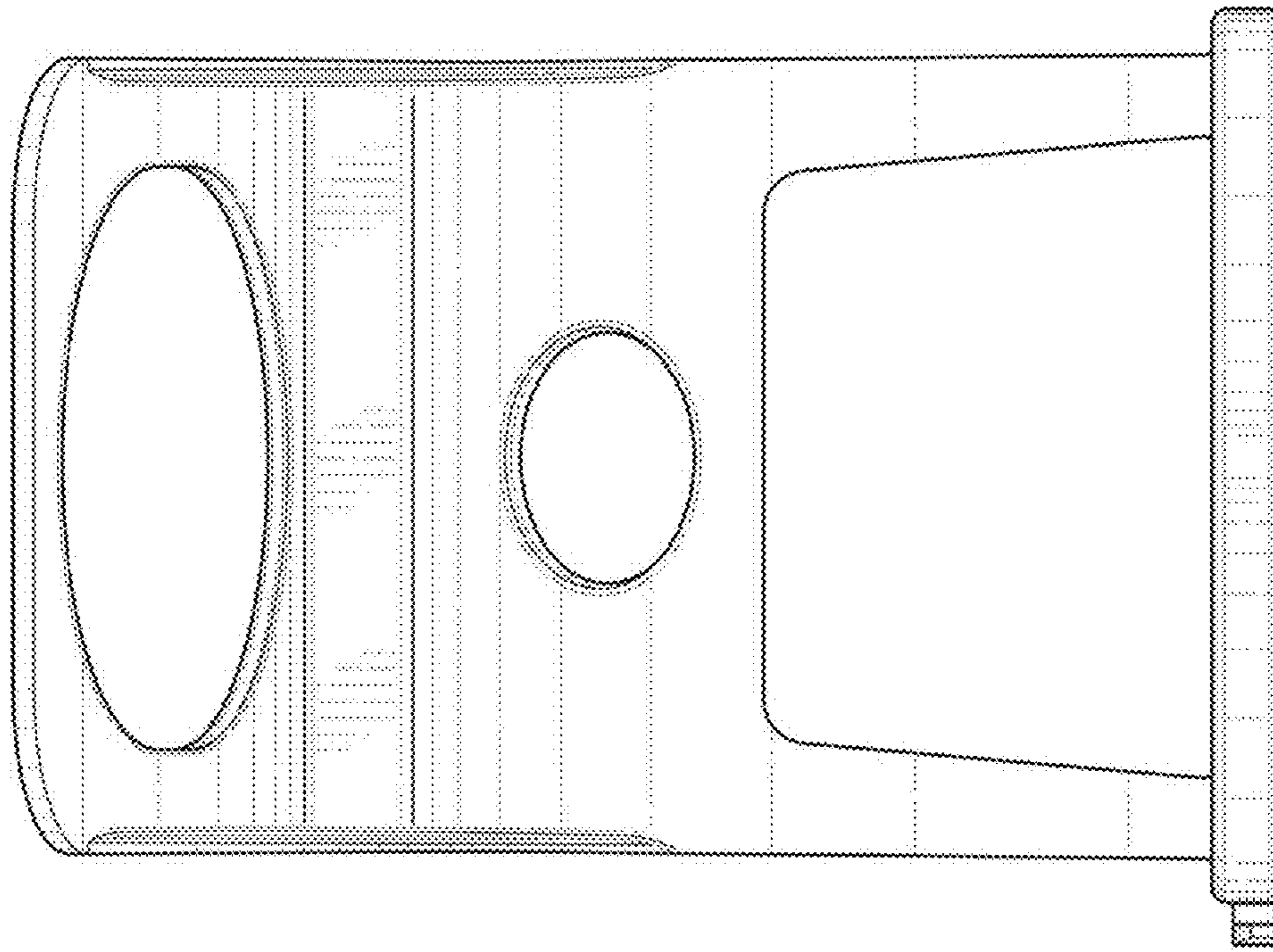


FIG. 3

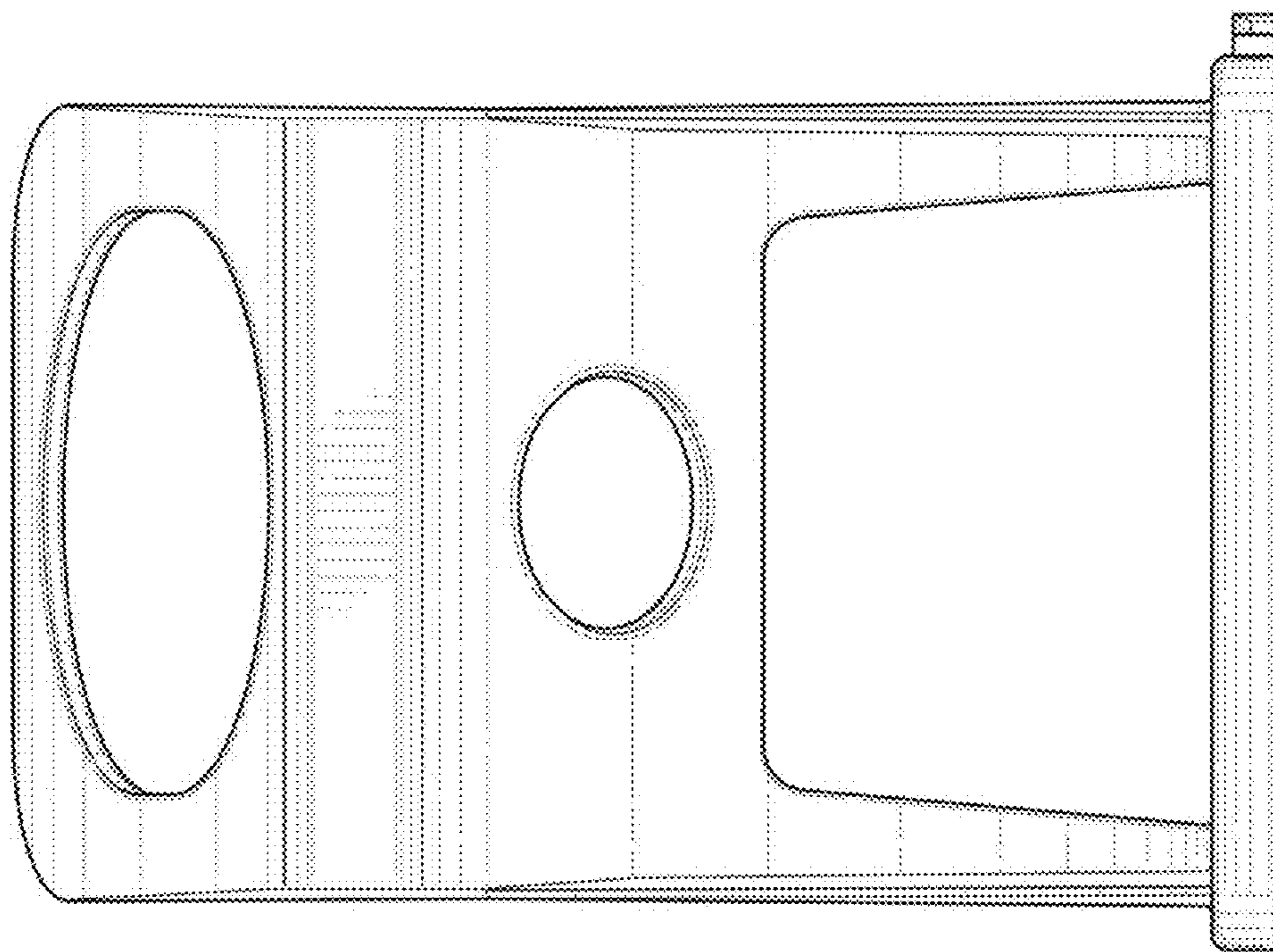


FIG. 2

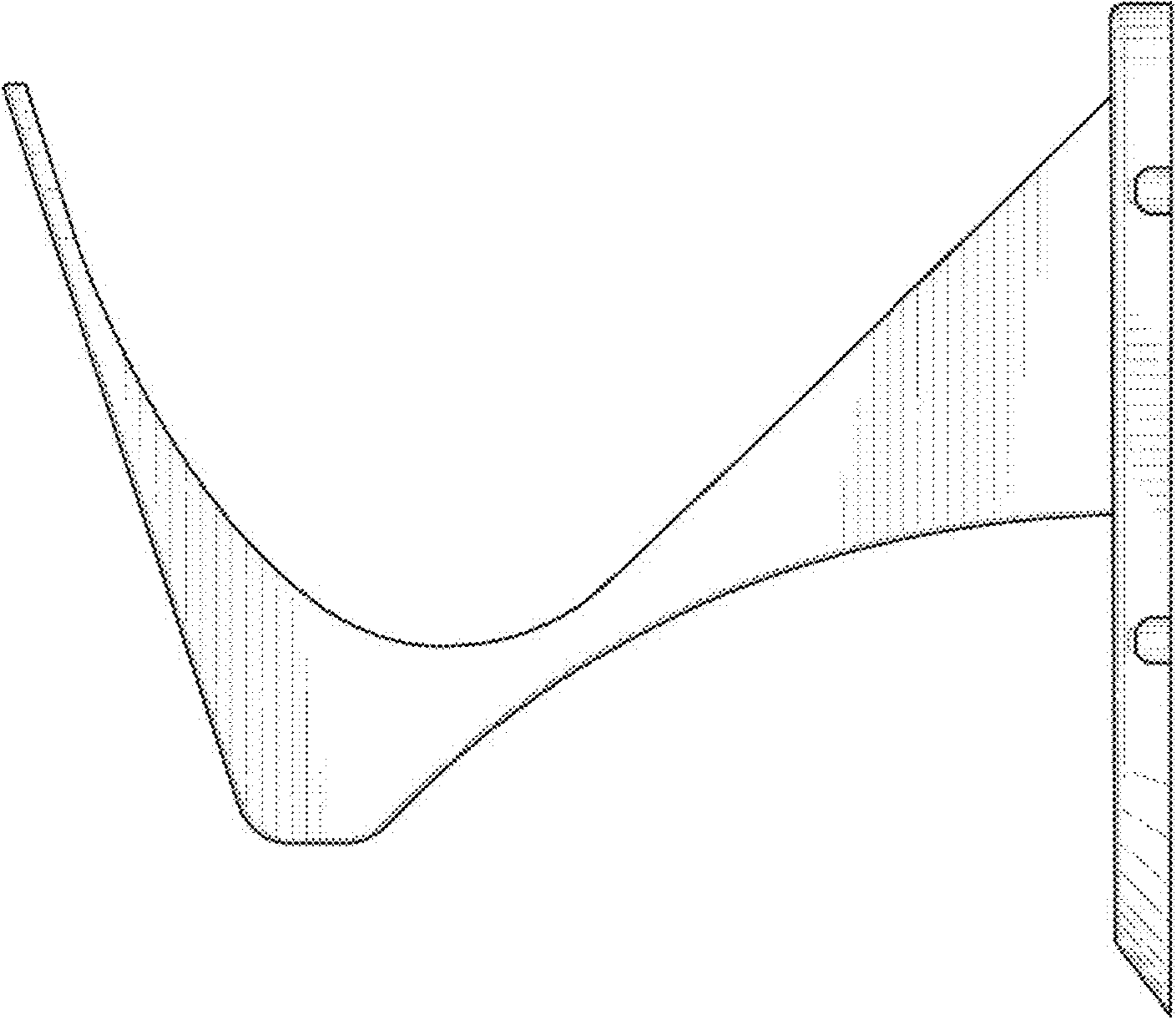


FIG. 4

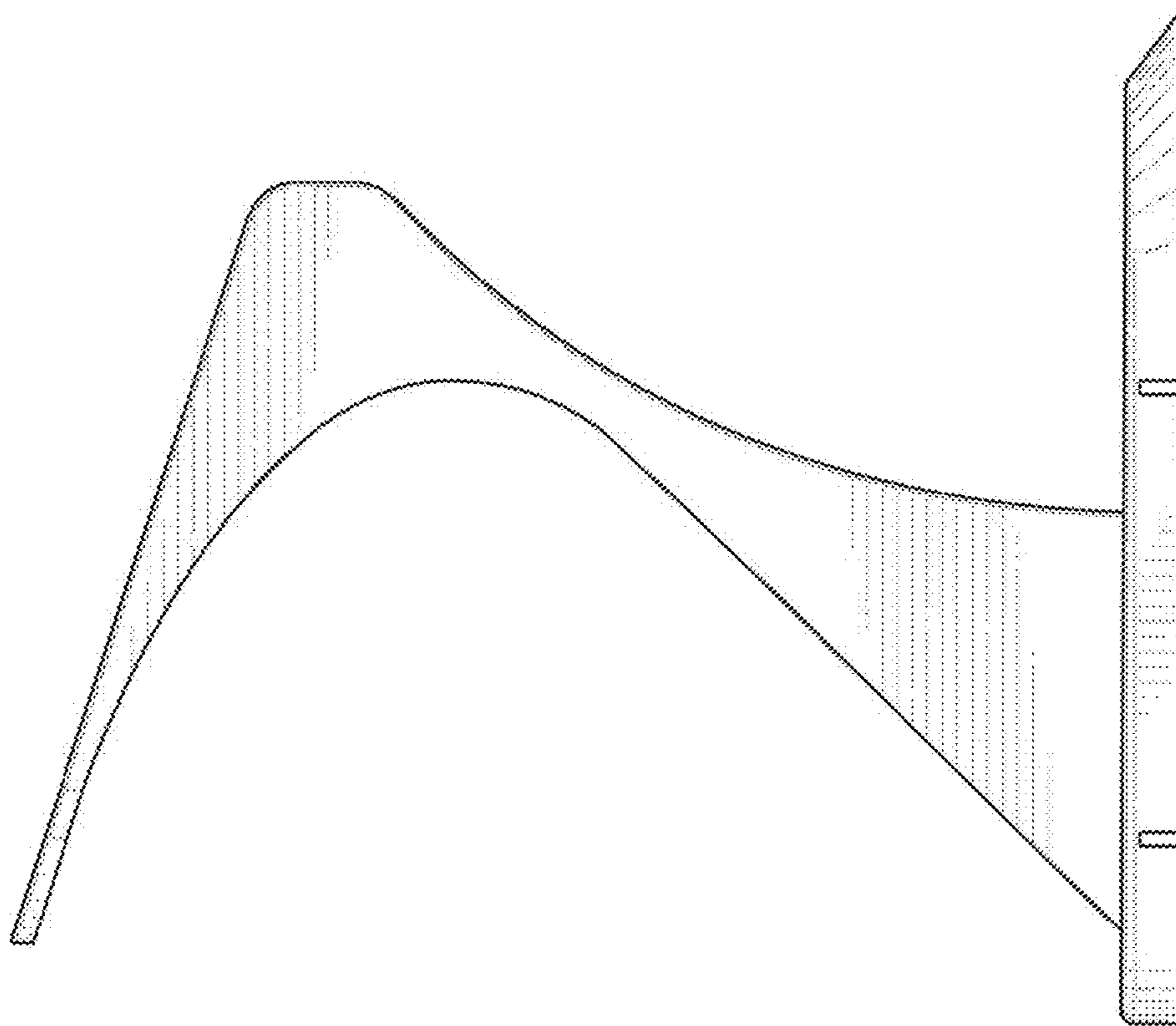


FIG. 5

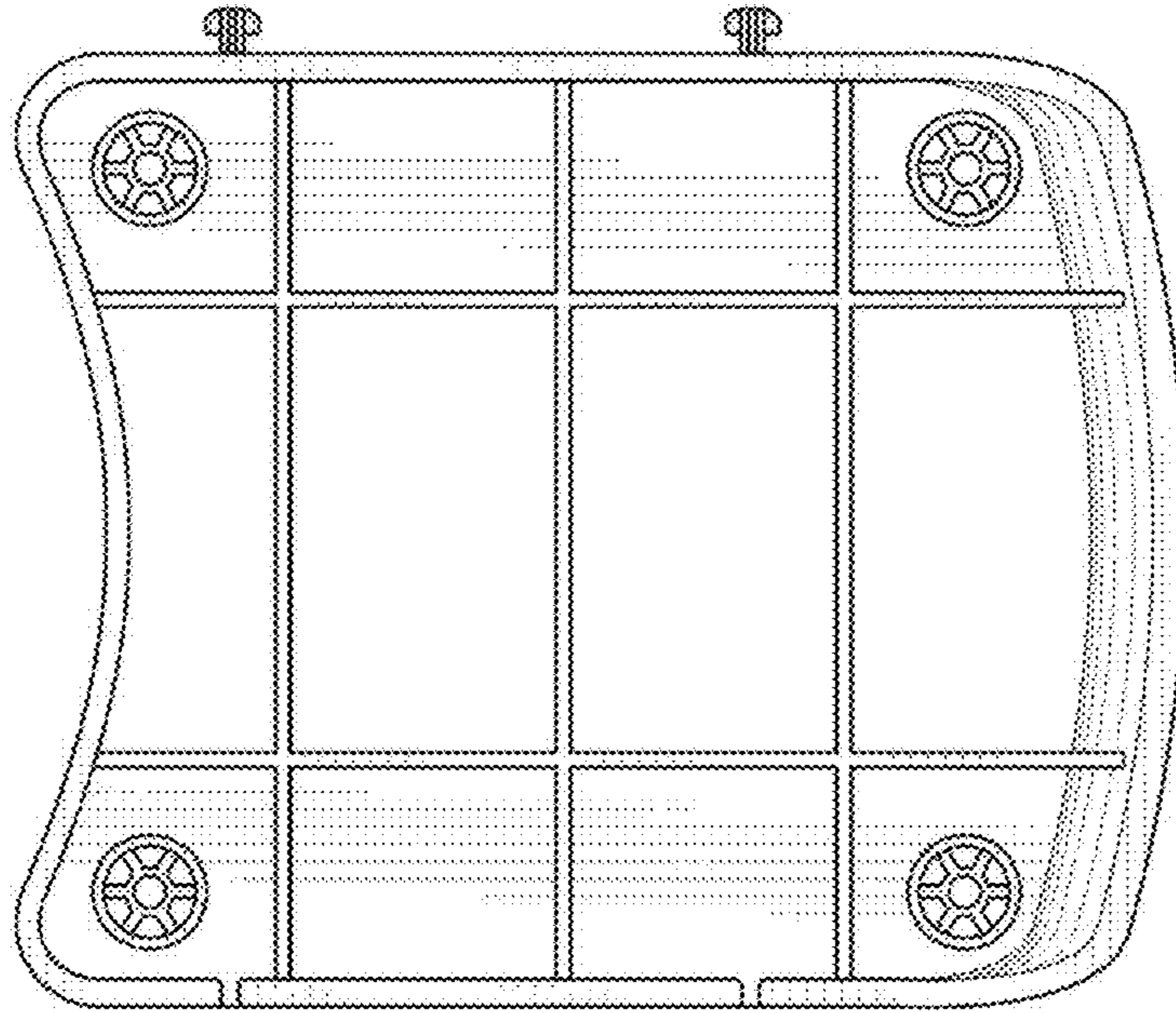


FIG. 7

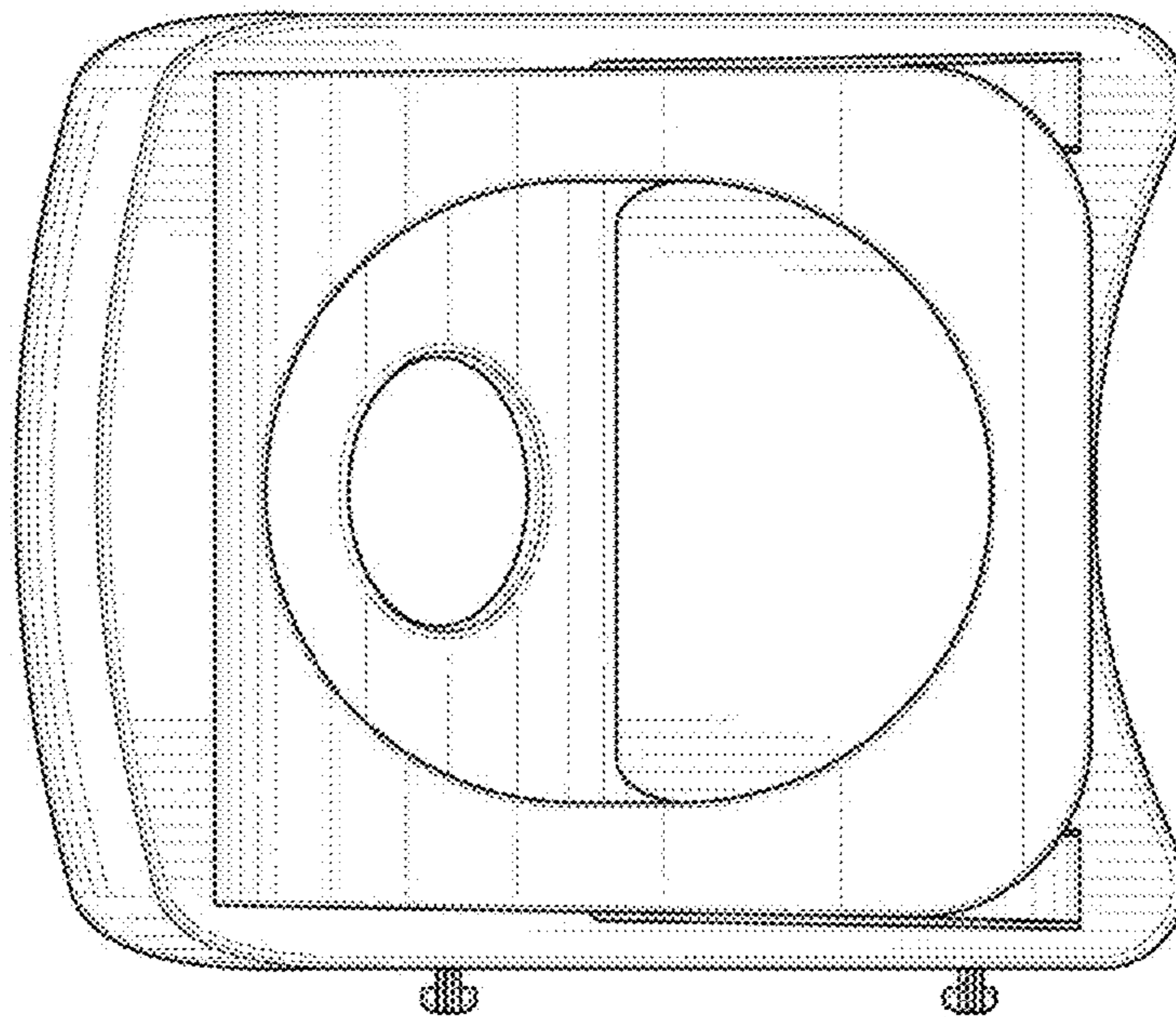


FIG. 6