



US00D806483S

(12) **United States Design Patent** (10) **Patent No.:** **US D806,483 S**  
**Stanford et al.** (45) **Date of Patent:** **\*\* Jan. 2, 2018**

(54) **COOLER** 8,356,712 B2 \* 1/2013 Piazza, Jr. .... A45C 9/00  
108/14  
(71) Applicant: **Lifetime Products, Inc.**, Clearfield, UT (US) 9,187,232 B2 11/2015 Seiders  
2015/0060470 A1 3/2015 Seiders  
2015/0225164 A1 8/2015 Seiders et al.  
2015/0322698 A1 11/2015 Seiders  
(72) Inventors: **Carl R. Stanford**, Clearfield, UT (US); 2015/0353263 A1 12/2015 Seiders et al.  
**Robert A. Astle**, Kaysville, UT (US) 2016/0236849 A1 8/2016 Seiders et al.  
2016/0257479 A1 9/2016 Seiders et al.  
(73) Assignee: **Lifetime Products, Inc.**, Clearfield, UT (US)

(\*\*) Term: **15 Years**

(21) Appl. No.: **29/585,896**

(22) Filed: **Nov. 29, 2016**

(51) **LOC (11) Cl.** ..... **07-01**

(52) **U.S. Cl.**  
USPC ..... **D7/605**

(58) **Field of Classification Search**  
USPC ..... D7/603-608, 629, 630; D3/272-274  
CPC ... A45C 11/20; A45C 9/00; F25D 3/14; F25D  
3/08; F25D 2331/804; B65D 81/3813;  
B65D 81/3823; B65D 81/3888; B65D  
81/389; B65D 81/3816; B65D 81/3858;  
A47J 41/022; A47G 19/2288; F25B 19/00  
See application file for complete search history.

(56) **References Cited**

U.S. PATENT DOCUMENTS

D429,606 S \* 8/2000 Israel ..... D7/605  
D429,966 S \* 8/2000 Israel ..... D7/605  
D451,765 S \* 12/2001 Israel ..... D7/605  
D545,633 S \* 7/2007 Hussaini ..... D7/605  
D566,479 S \* 4/2008 Kabalin ..... D3/273  
D652,262 S \* 1/2012 Yang ..... D7/605

OTHER PUBLICATIONS

U.S. Appl. No. 29/602,023, filed Apr. 24, 2017, Stanford et al.

\* cited by examiner

*Primary Examiner* — Terry A Wallace

(74) *Attorney, Agent, or Firm* — Maschoff Brennan

(57) **CLAIM**

The ornamental design for a cooler, as shown and described.

**DESCRIPTION**

FIG. 1 is an upper perspective view of the cooler showing our new design.

FIG. 2 is a lower perspective view of the cooler;

FIG. 3 is a front view of the cooler;

FIG. 4 is a rear view of the cooler;

FIG. 5 is a left side view of the cooler;

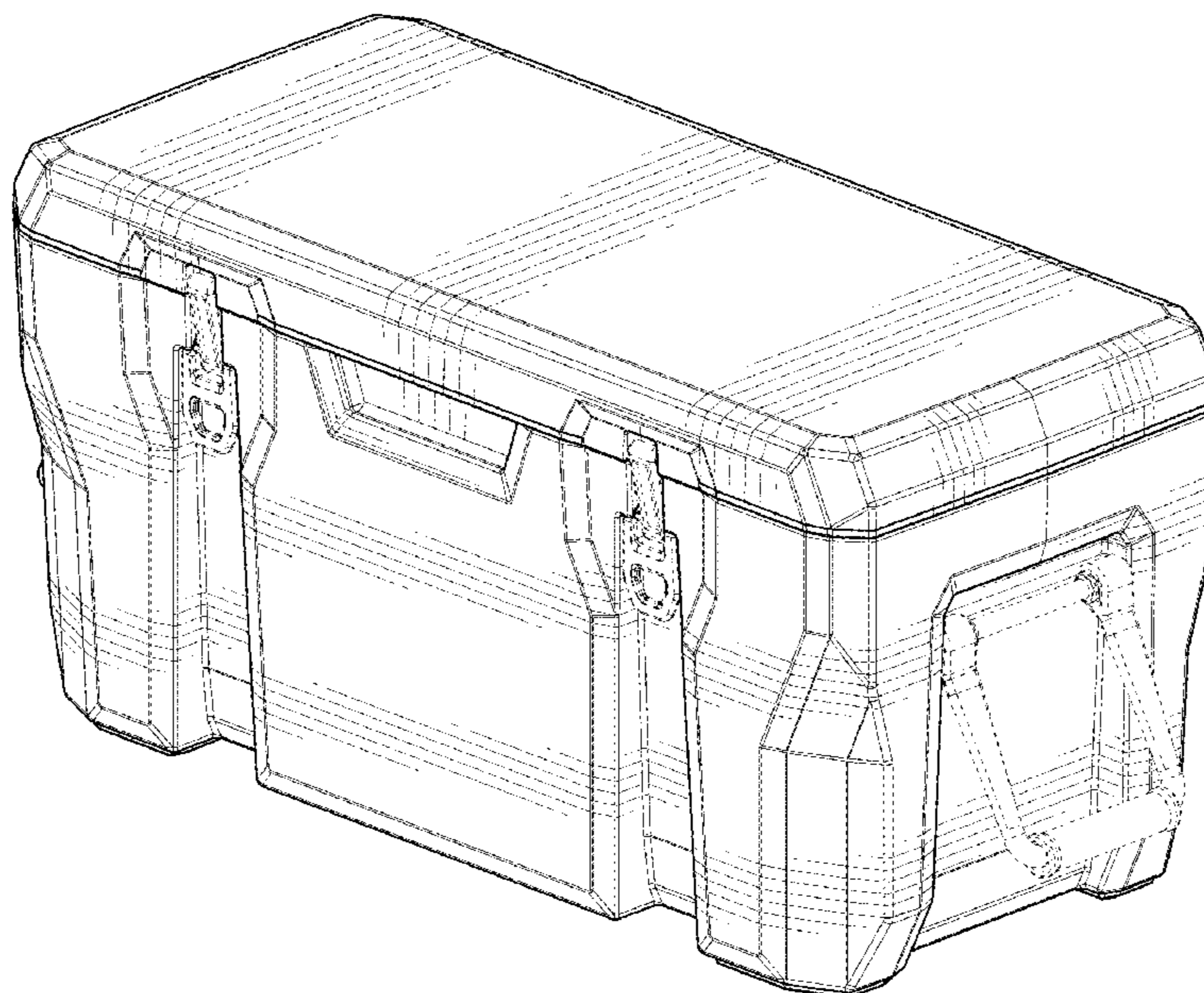
FIG. 6 is a right side view of the cooler;

FIG. 7 is a top view of the cooler; and,

FIG. 8 is a bottom view of the cooler.

The broken lines shown in the figures are for illustrative purposes only and form no part of the claimed design.

**1 Claim, 7 Drawing Sheets**



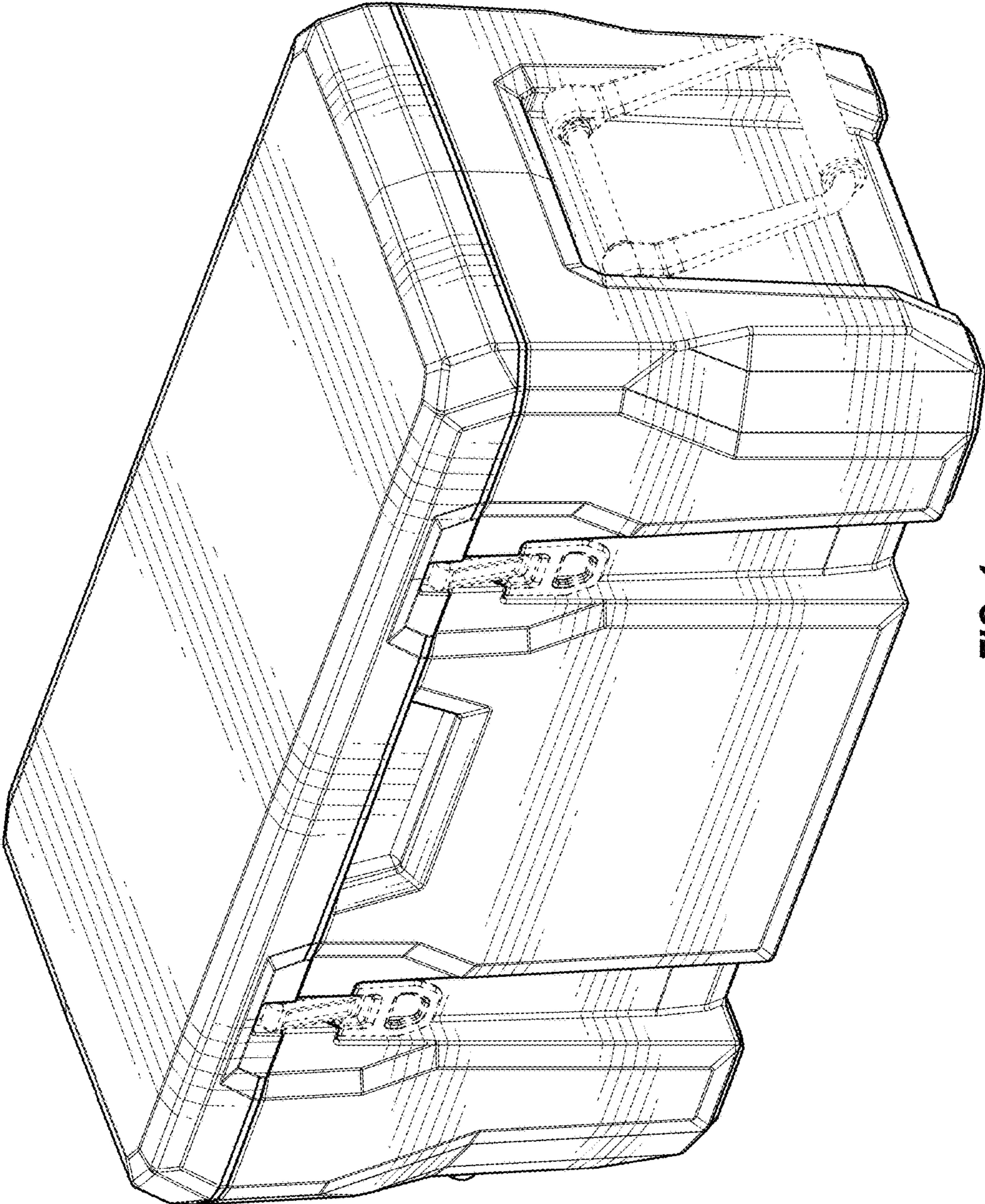


FIG. 1



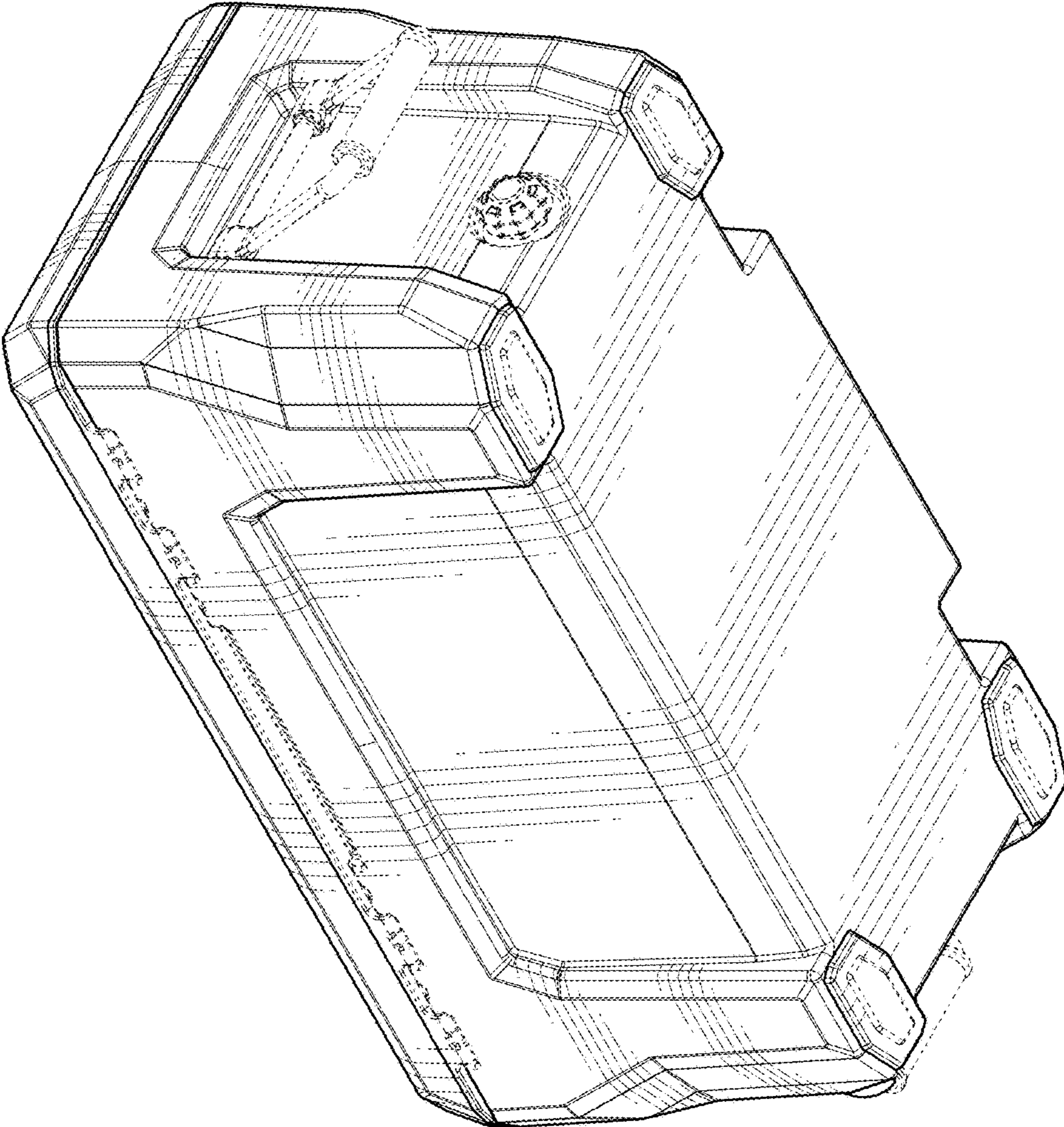


FIG. 2

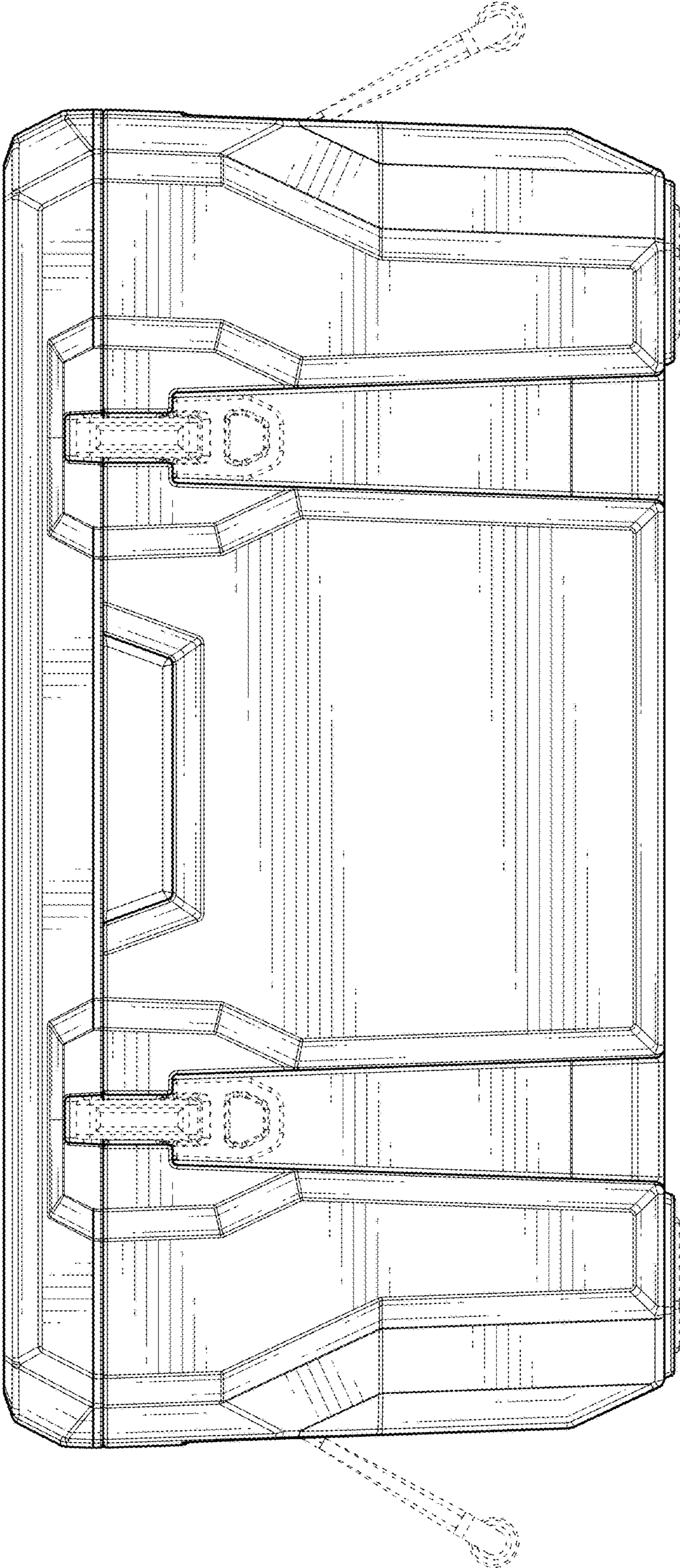


FIG. 3



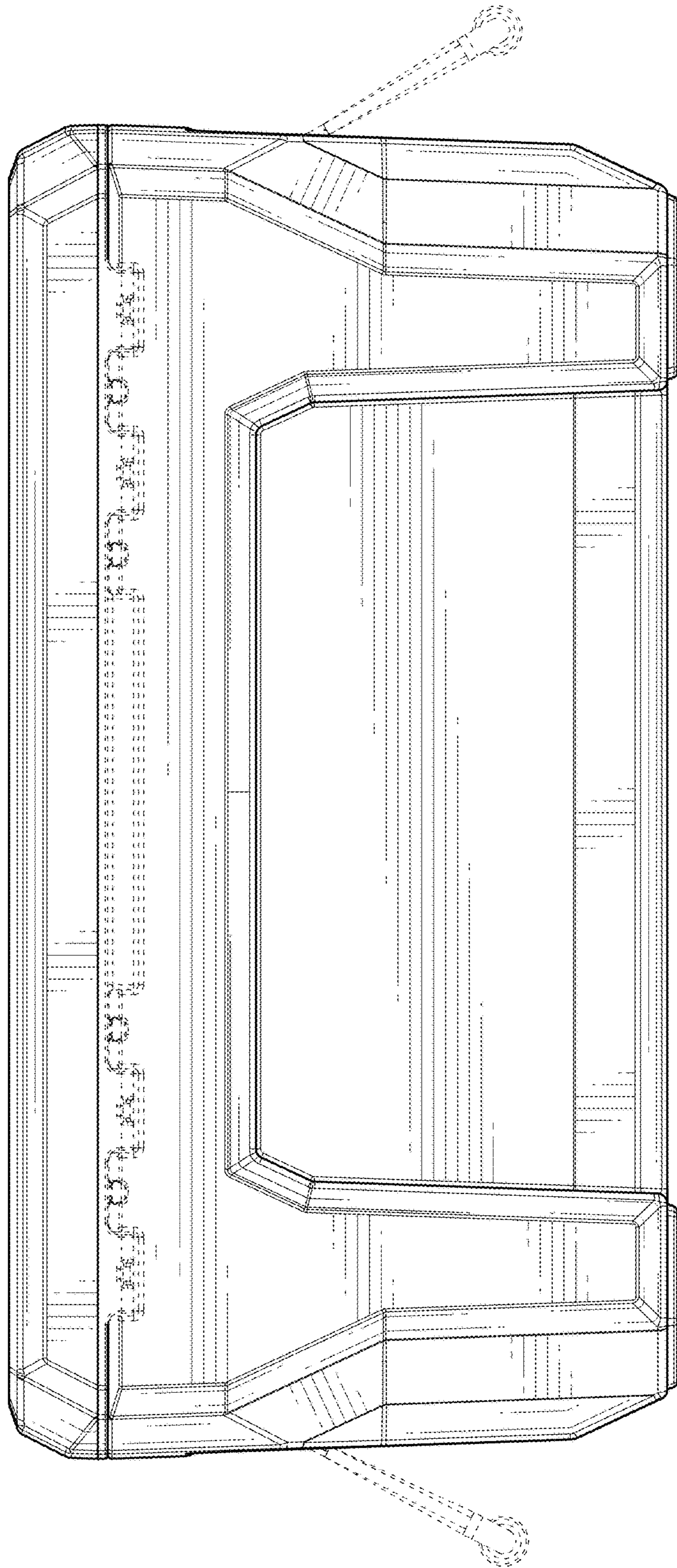


FIG. 4

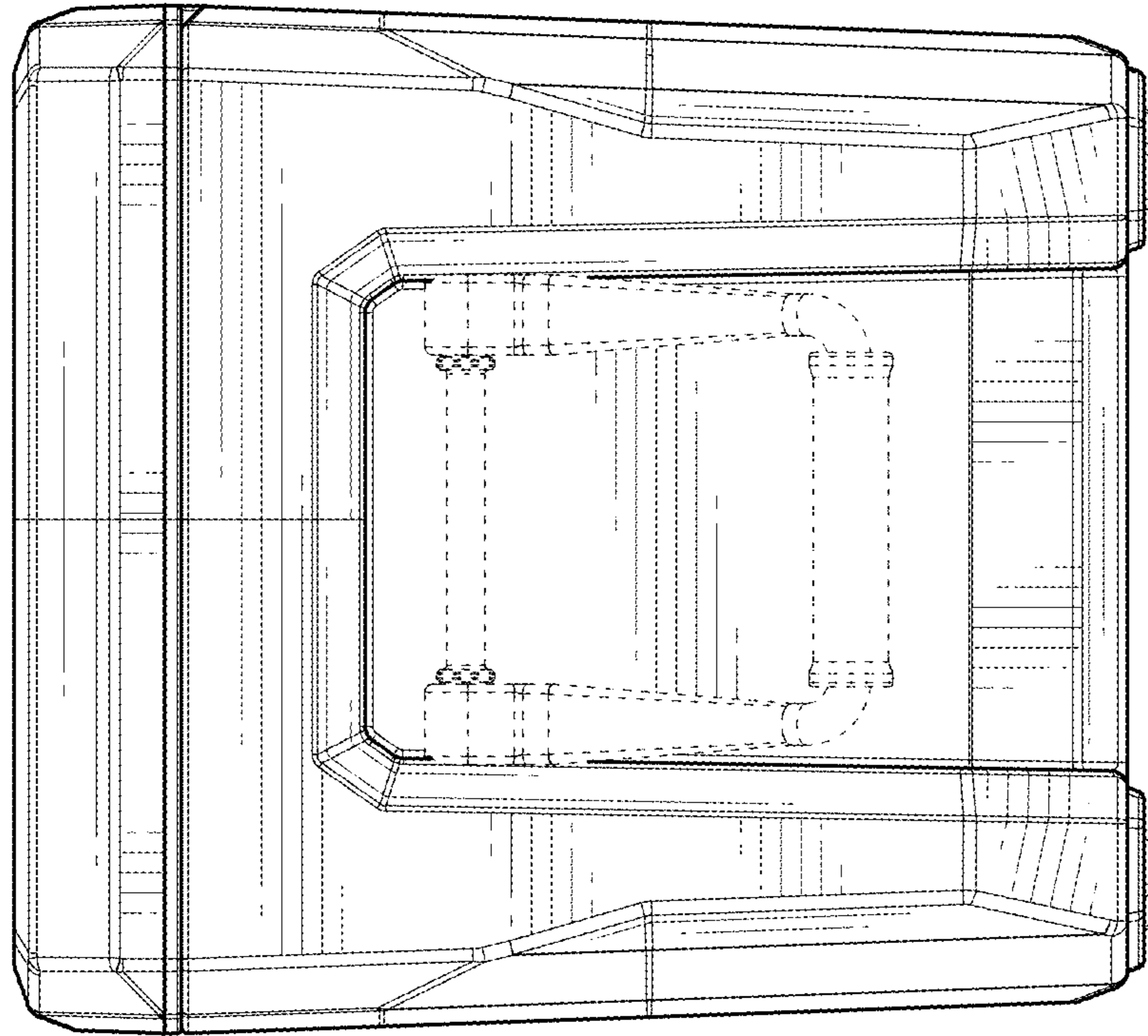


FIG. 6

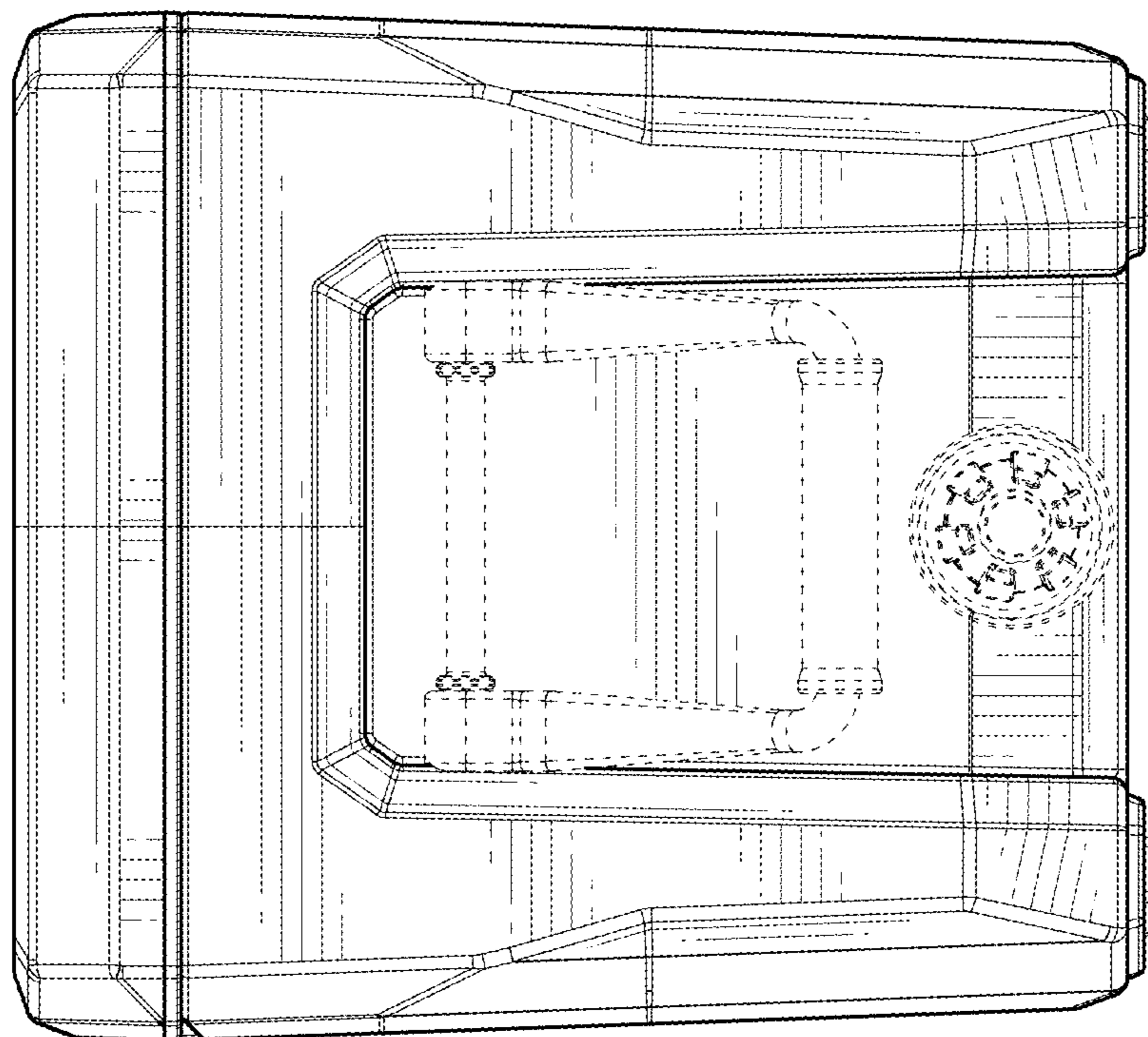


FIG. 5

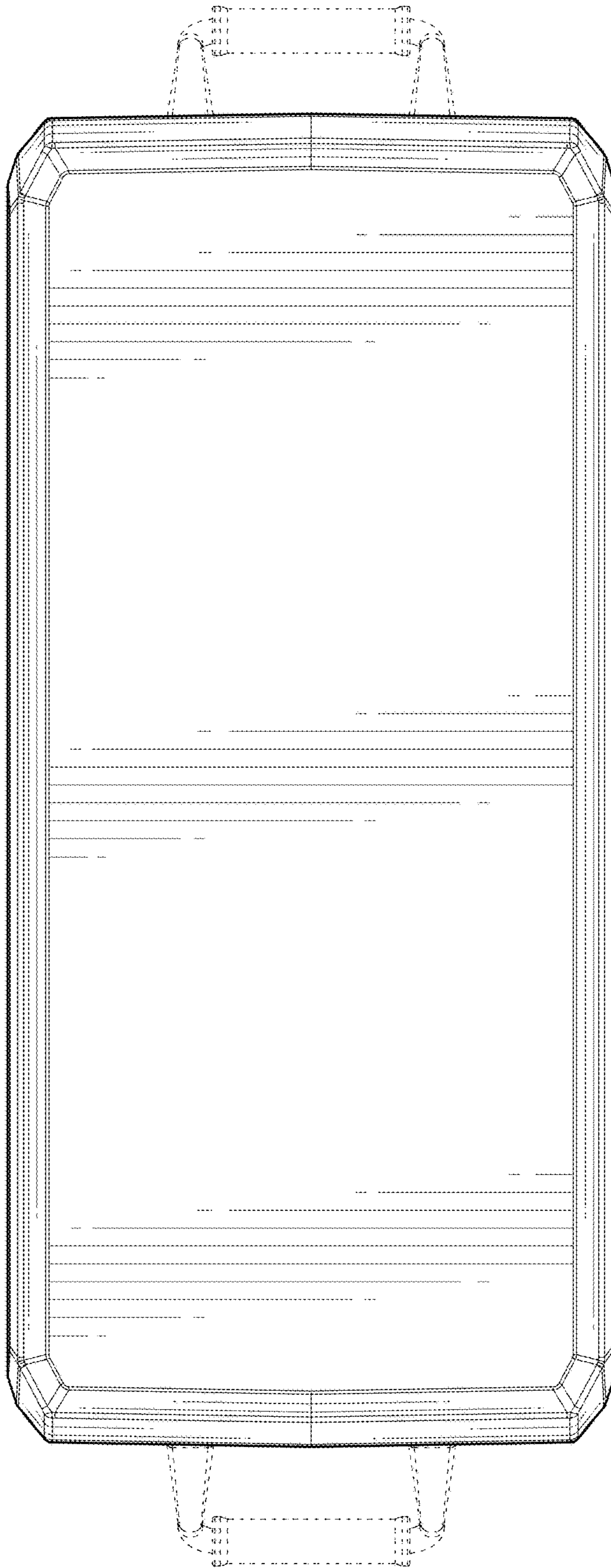


FIG. 7



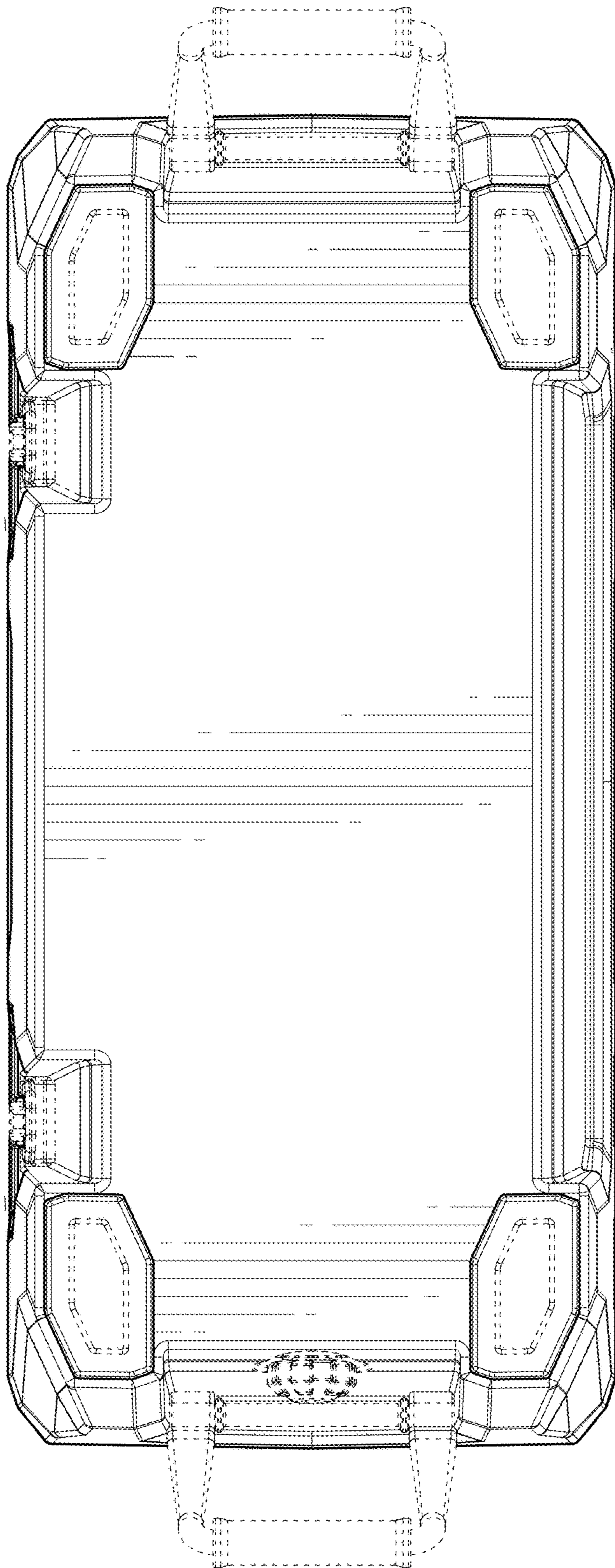


FIG. 8