



US00D806480S

(12) **United States Design Patent**
Westrick

(10) **Patent No.:** **US D806,480 S**

(45) **Date of Patent:** **** Jan. 2, 2018**

(54) **SHOT GLASS**

(71) Applicant: **True Fabrications, Inc.**, Seattle, WA (US)

(72) Inventor: **Amy Jo Westrick**, Seattle, WA (US)

(73) Assignee: **TRUE FABRICATIONS, INC.**, Seattle, WA (US)

(**) Term: **15 Years**

(21) Appl. No.: **29/586,245**

(22) Filed: **Dec. 1, 2016**

(51) **LOC (11) Cl.** **07-01**

(52) **U.S. Cl.**
USPC **D7/532; D7/531; D7/517**

(58) **Field of Classification Search**
USPC D7/507, 509, 505, 510, 511, 512, 514, D7/515, 518, 521, 300, 300.1, 529, 532, D7/533, 534, 536, 517, 520, 531; D21/405, 406, 411; 220/592.16, 592.17; D24/197
CPC B65D 1/36; B65D 25/10; B65D 47/066; A61J 9/00; A47J 43/27; A47G 19/22; A47G 19/222

See application file for complete search history.

(56) **References Cited**

U.S. PATENT DOCUMENTS

D293,535 S *	1/1988	Wiinblad	D7/536
D356,925 S *	4/1995	Wonder	D7/532
D368,831 S *	4/1996	Feltman	D7/533
D416,444 S *	11/1999	Jørgensen	D7/533
D443,477 S *	6/2001	Miura	D7/507
D459,634 S *	7/2002	Lin	D7/509
D482,237 S *	11/2003	Wellner	D7/509

D551,503 S *	9/2007	Bouie	D7/509
D567,589 S *	4/2008	Freeman	D7/533
D568,103 S *	5/2008	Bodum	D7/509
D571,153 S *	6/2008	Lopez	D7/510
D671,366 S *	11/2012	Muspratt-Williams	D7/509
D741,109 S *	10/2015	Sanbar	D7/516

* cited by examiner

Primary Examiner — Marianne Pandozzi

Assistant Examiner — Jae Liang

(74) *Attorney, Agent, or Firm* — Vicky Kaur Batwa

(57) **CLAIM**

The ornamental design for a shot glass, as shown and described.

DESCRIPTION

FIG. 1 is a front elevational view of a first embodiment of a shot glass showing our new design; the rear elevational view being a mirror image thereof;

FIG. 2 is a left side elevational view thereof; the right side elevational view being a mirror image thereof;

FIG. 3 is a top view thereof;

FIG. 4 is a bottom view thereof;

FIG. 5 is a top perspective view thereof;

FIG. 6 is a bottom perspective view thereof;

FIG. 7 is a front elevational view of a second embodiment of a shot glass; the rear elevational view being a mirror image thereof;

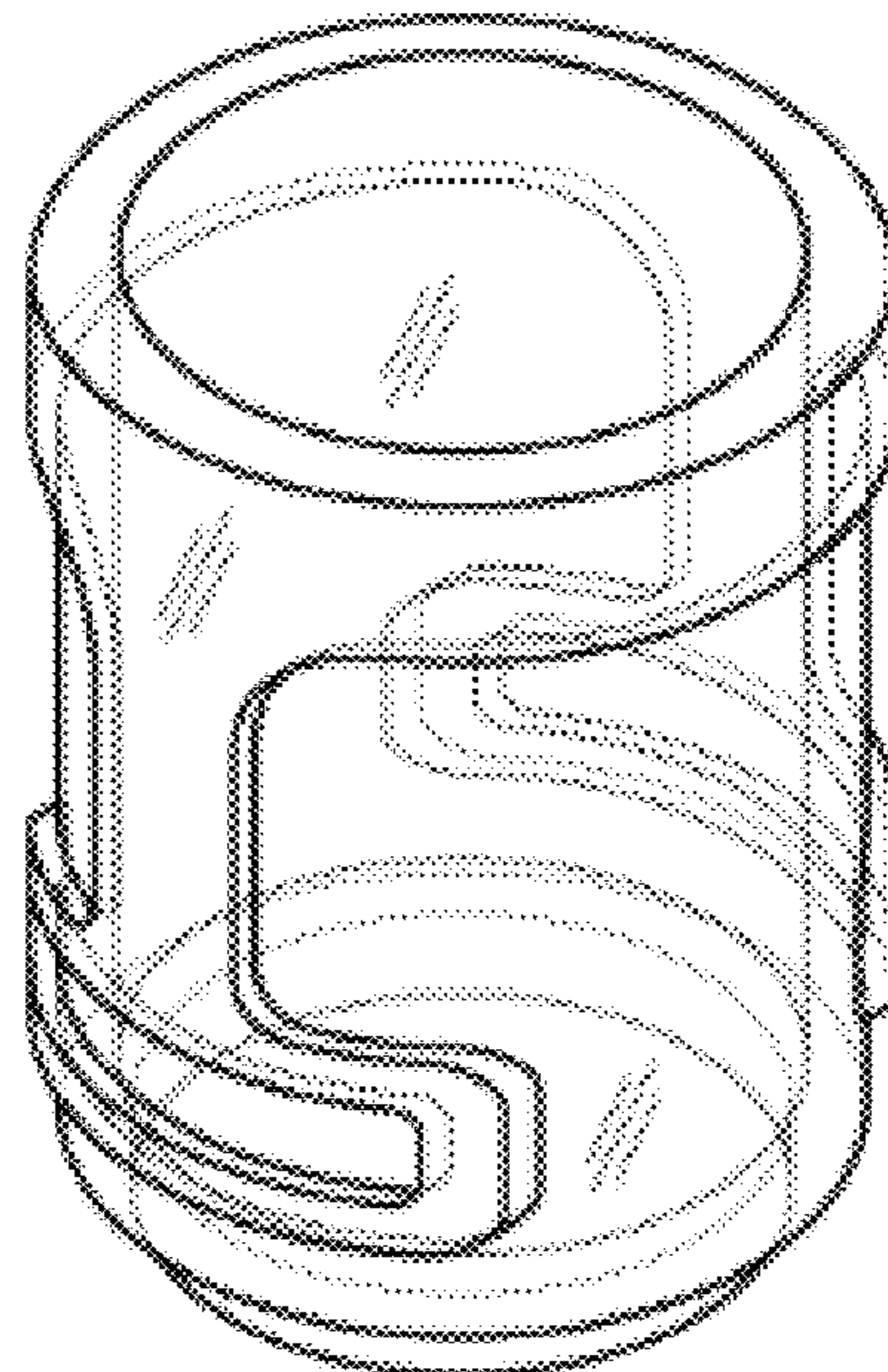
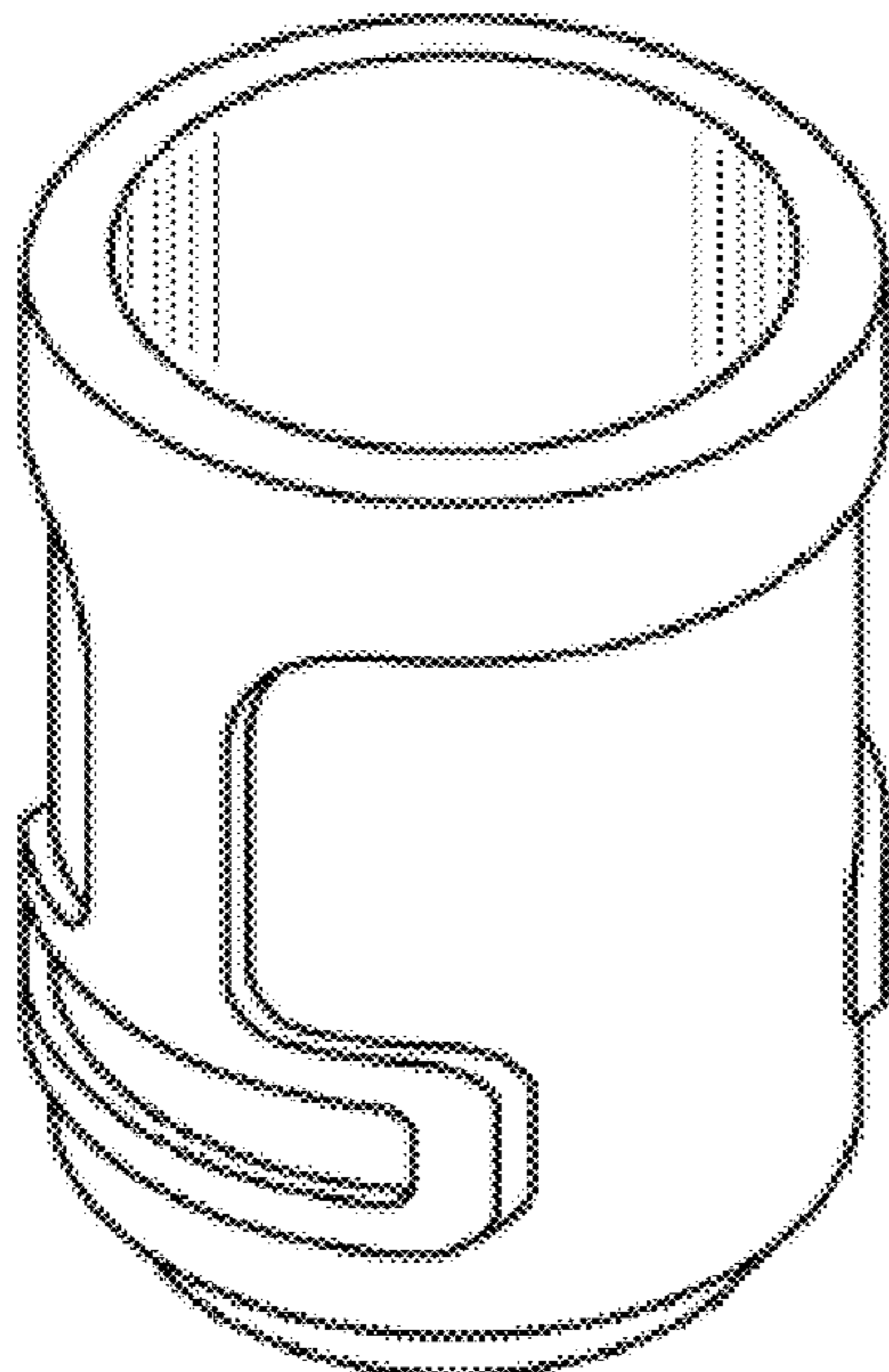
FIG. 8 is a left side elevational view thereof; the right side elevational view being a mirror image thereof;

FIG. 9 is a top view thereof;

FIG. 10 is a bottom view thereof; and,

FIG. 11 is a top perspective view thereof.

1 Claim, 2 Drawing Sheets



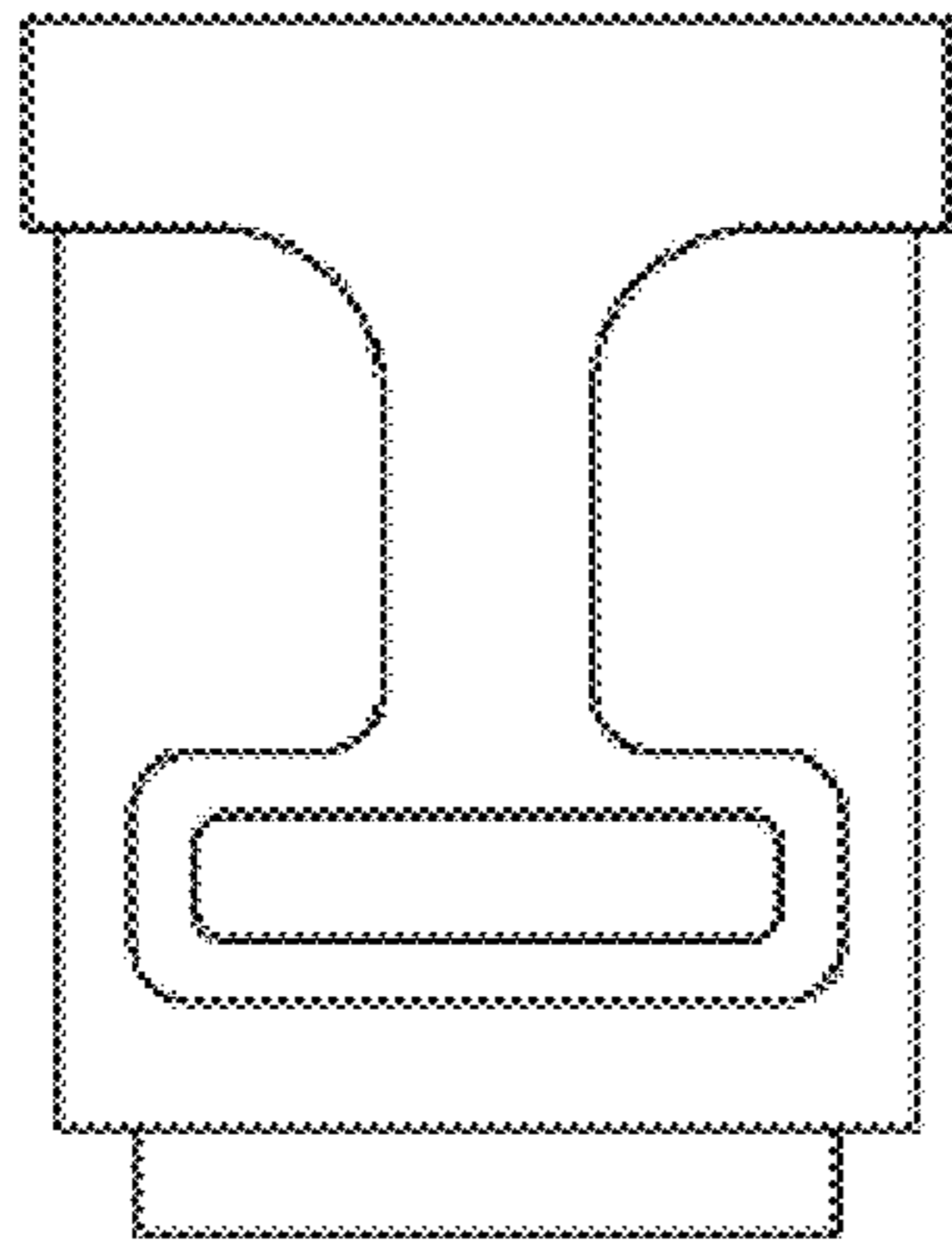


FIG. 1

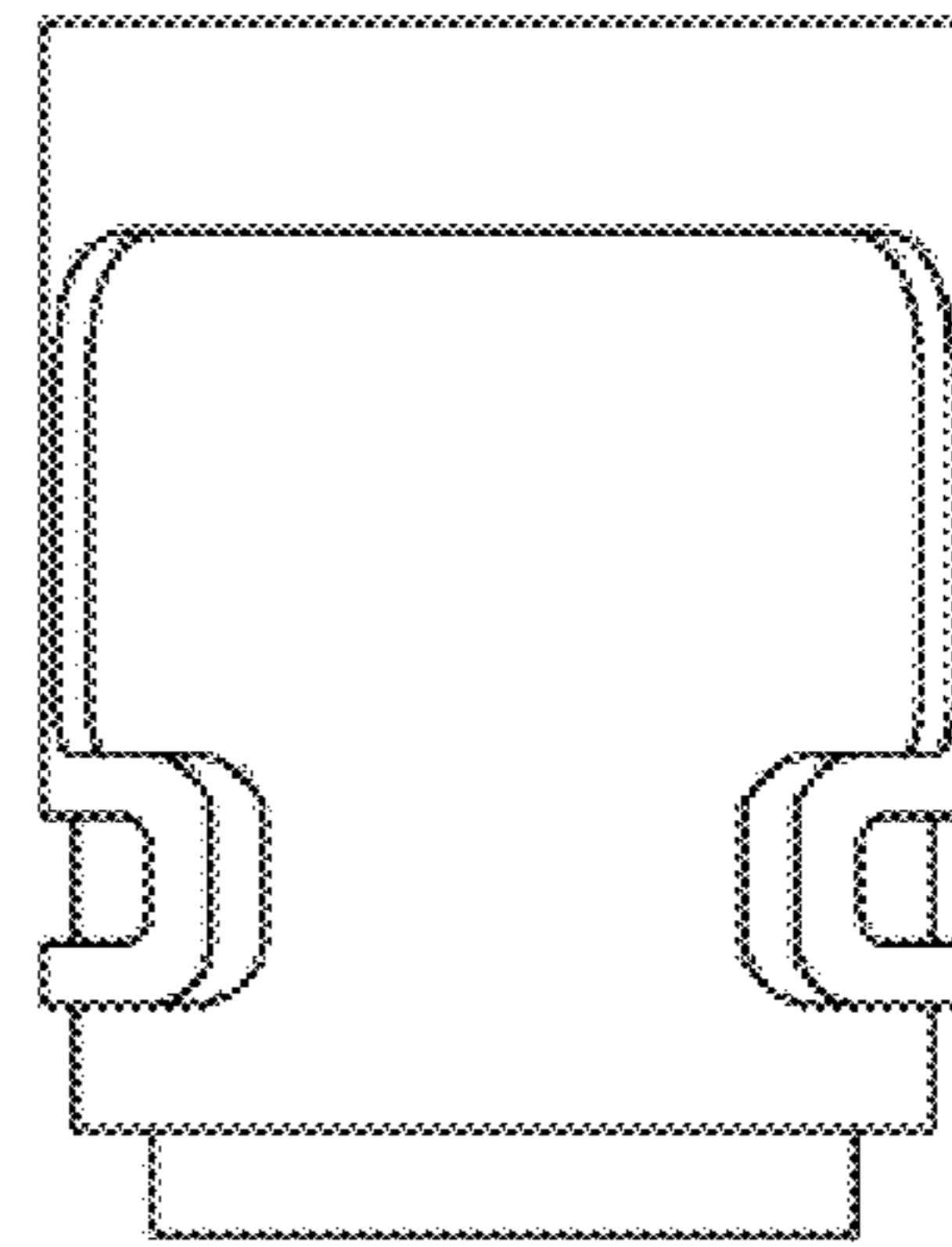


FIG. 2

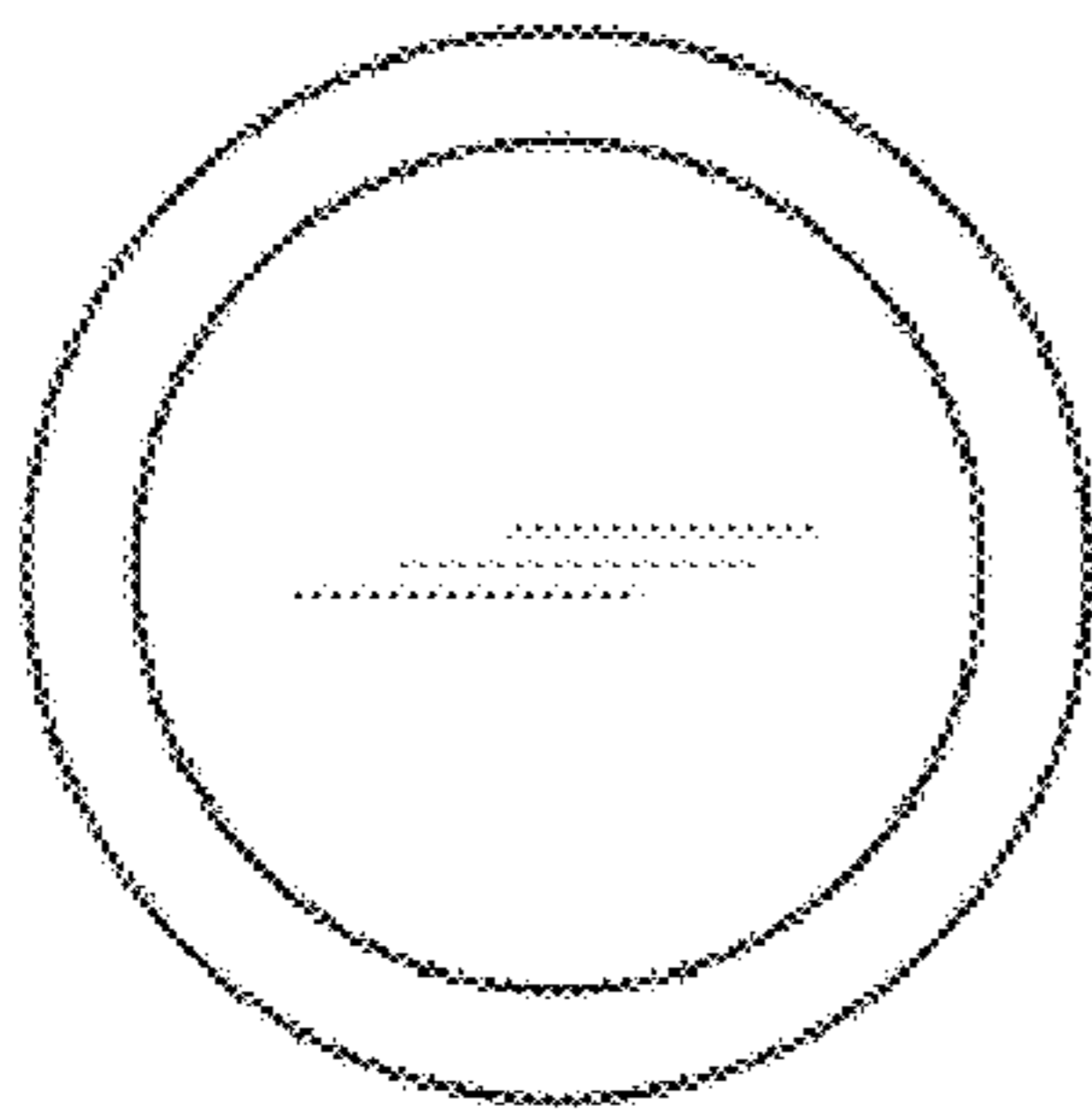


FIG. 3

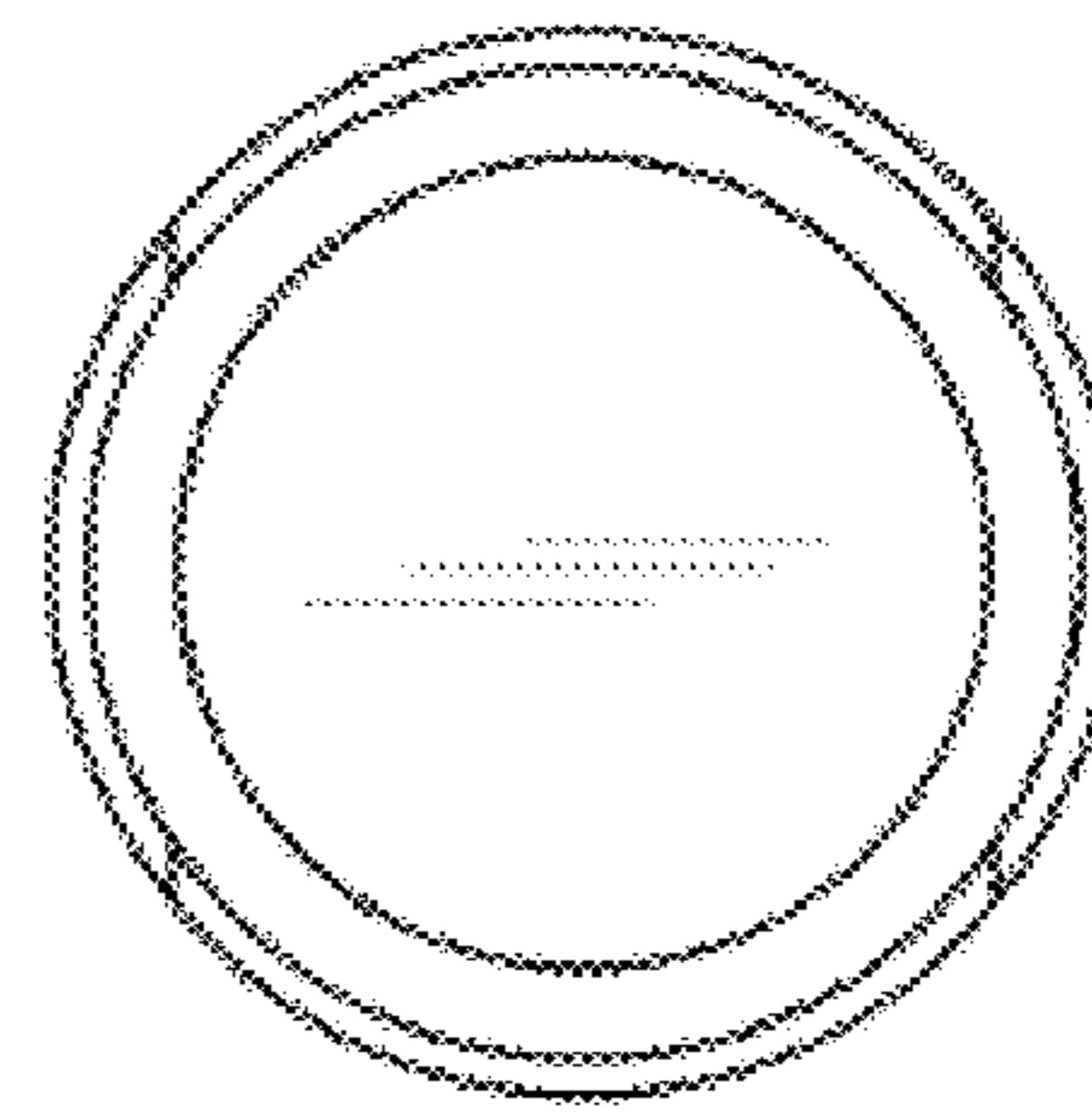


FIG. 4

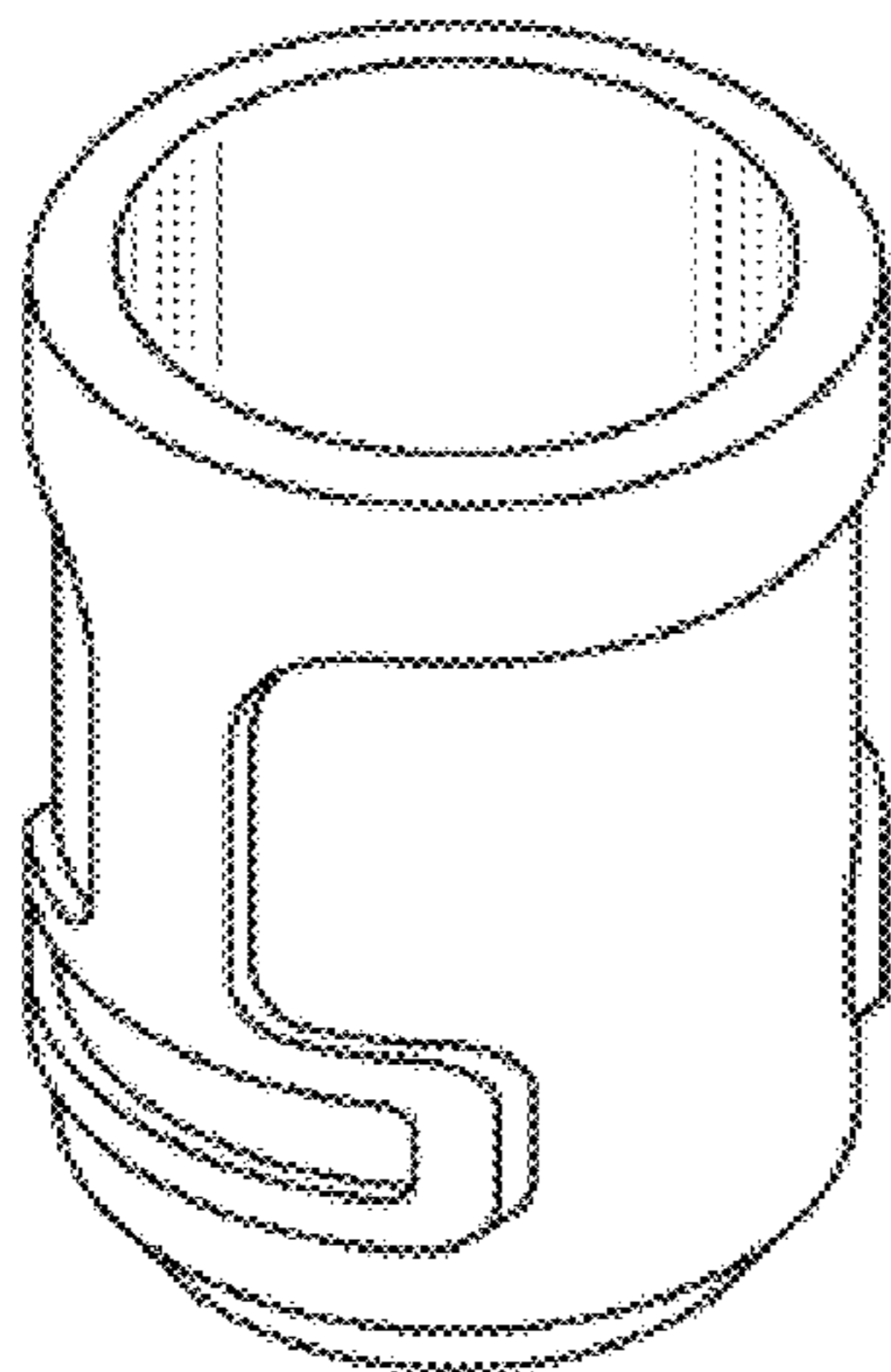


FIG. 5

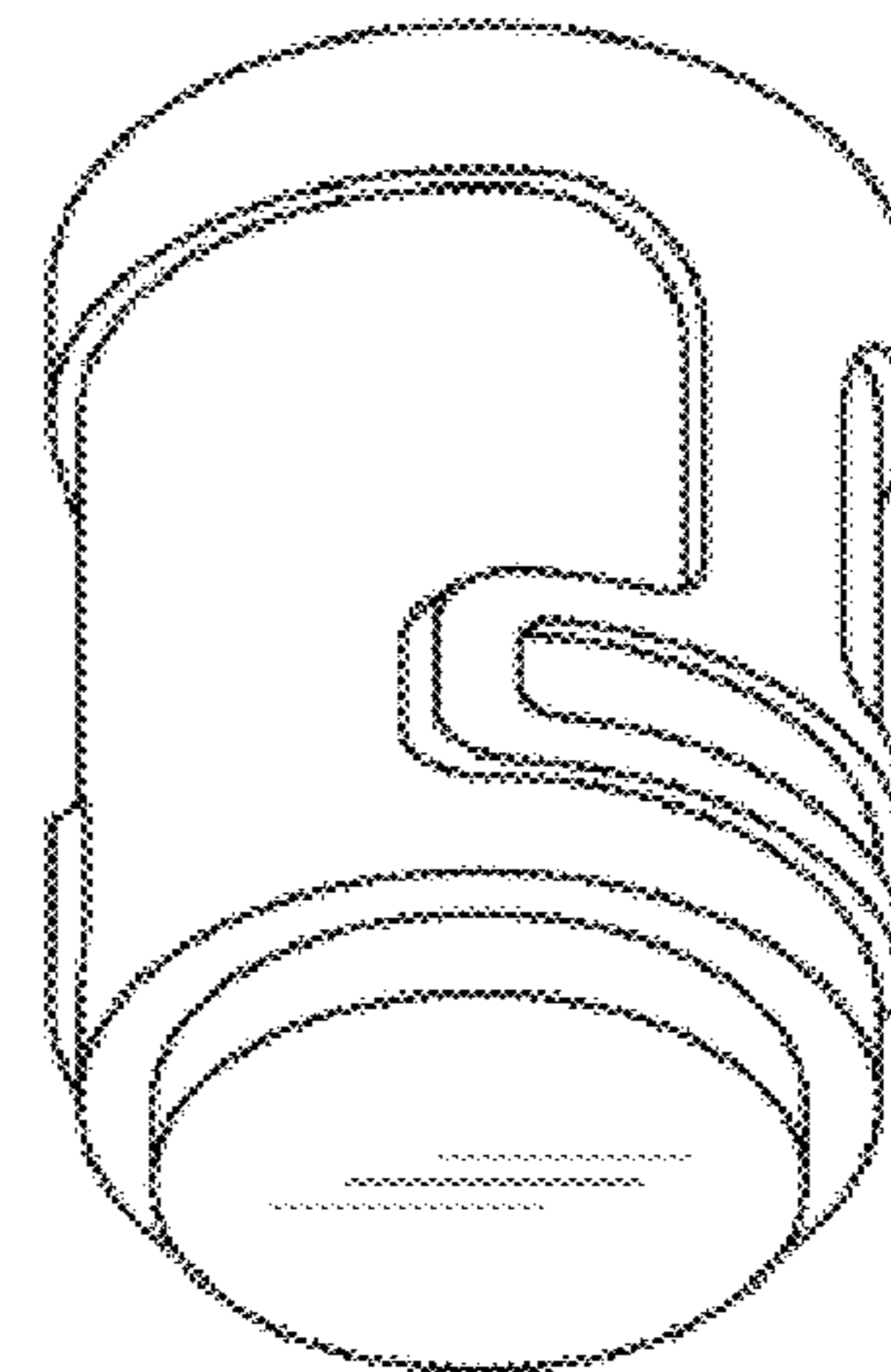


FIG. 6

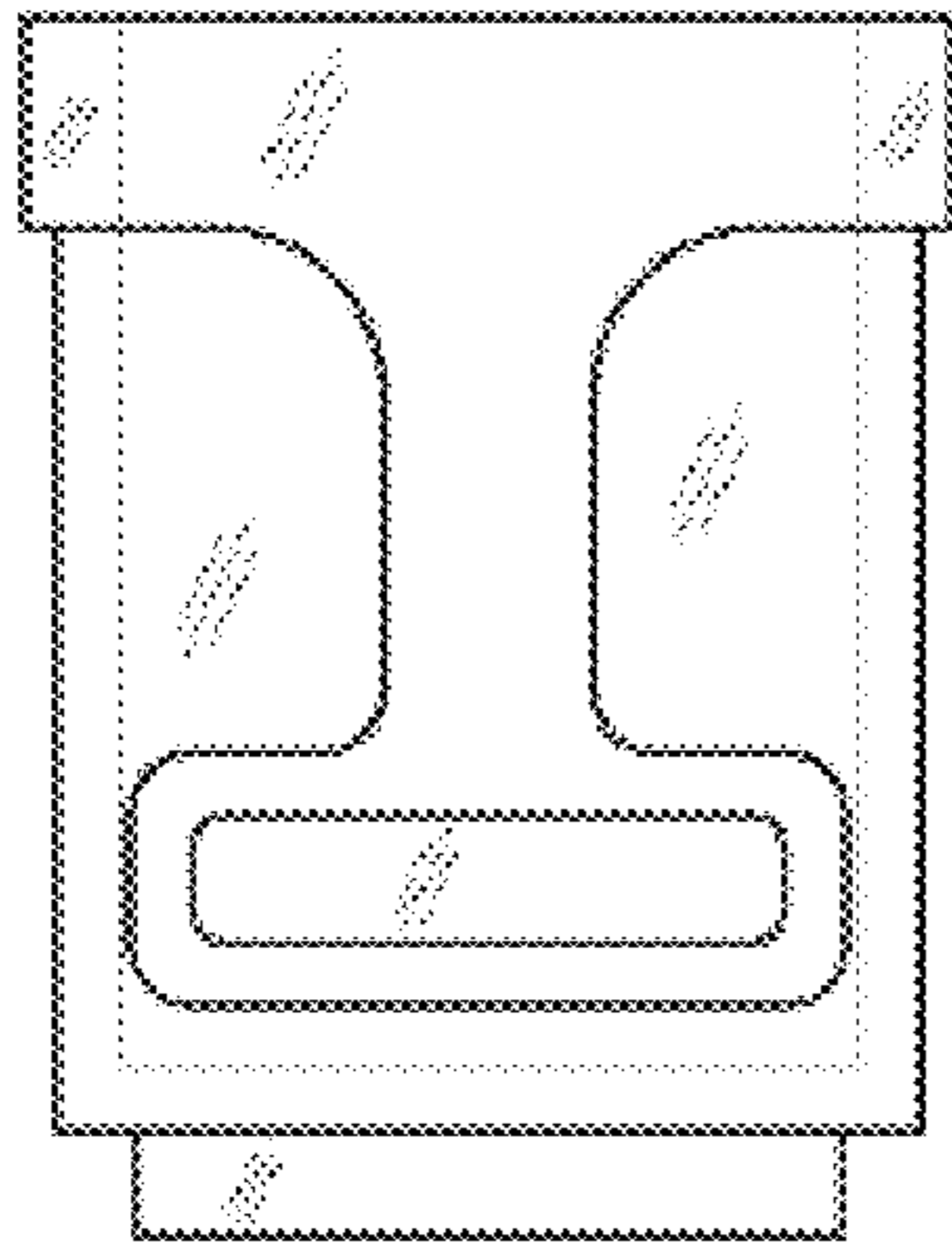


FIG. 7

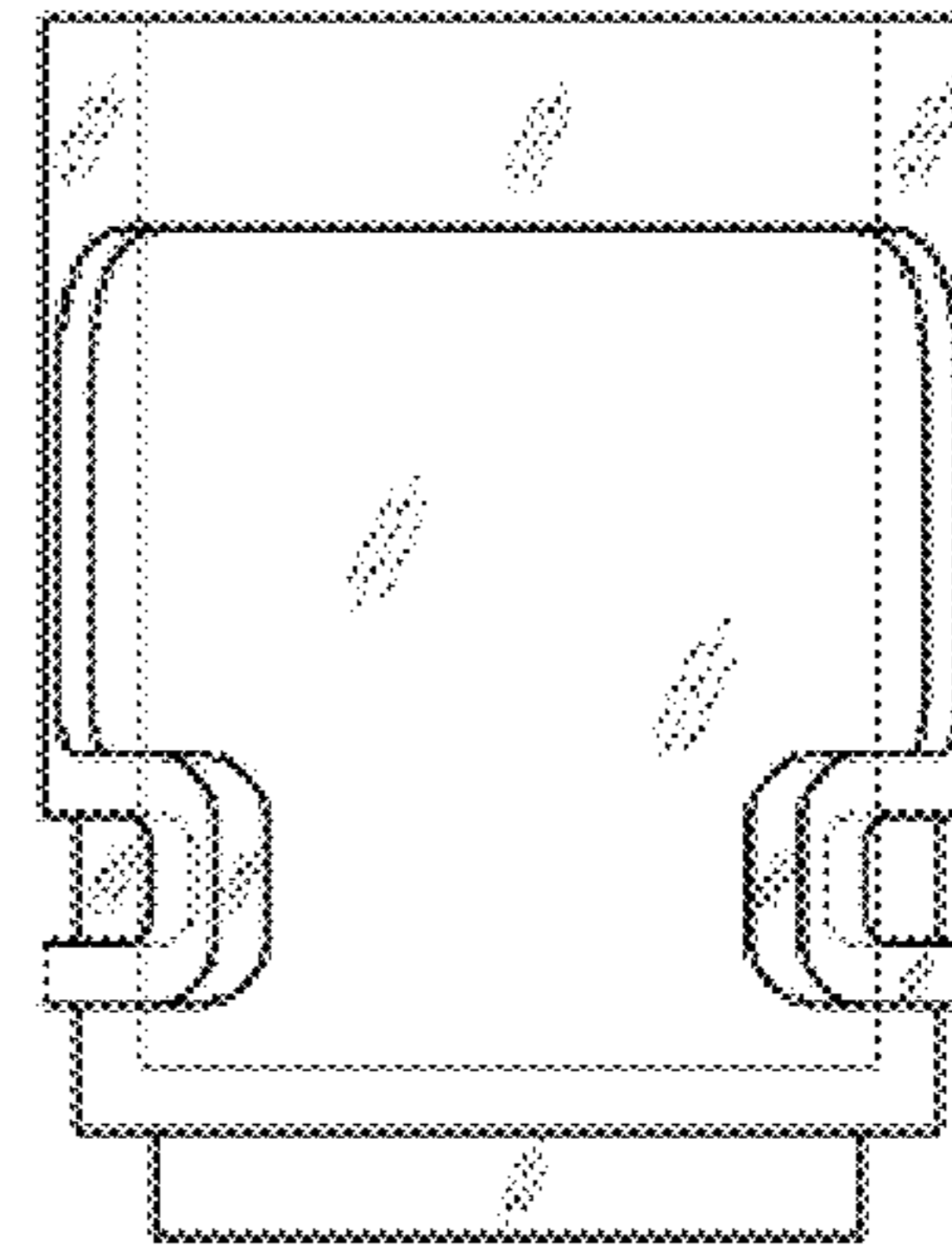


FIG. 8

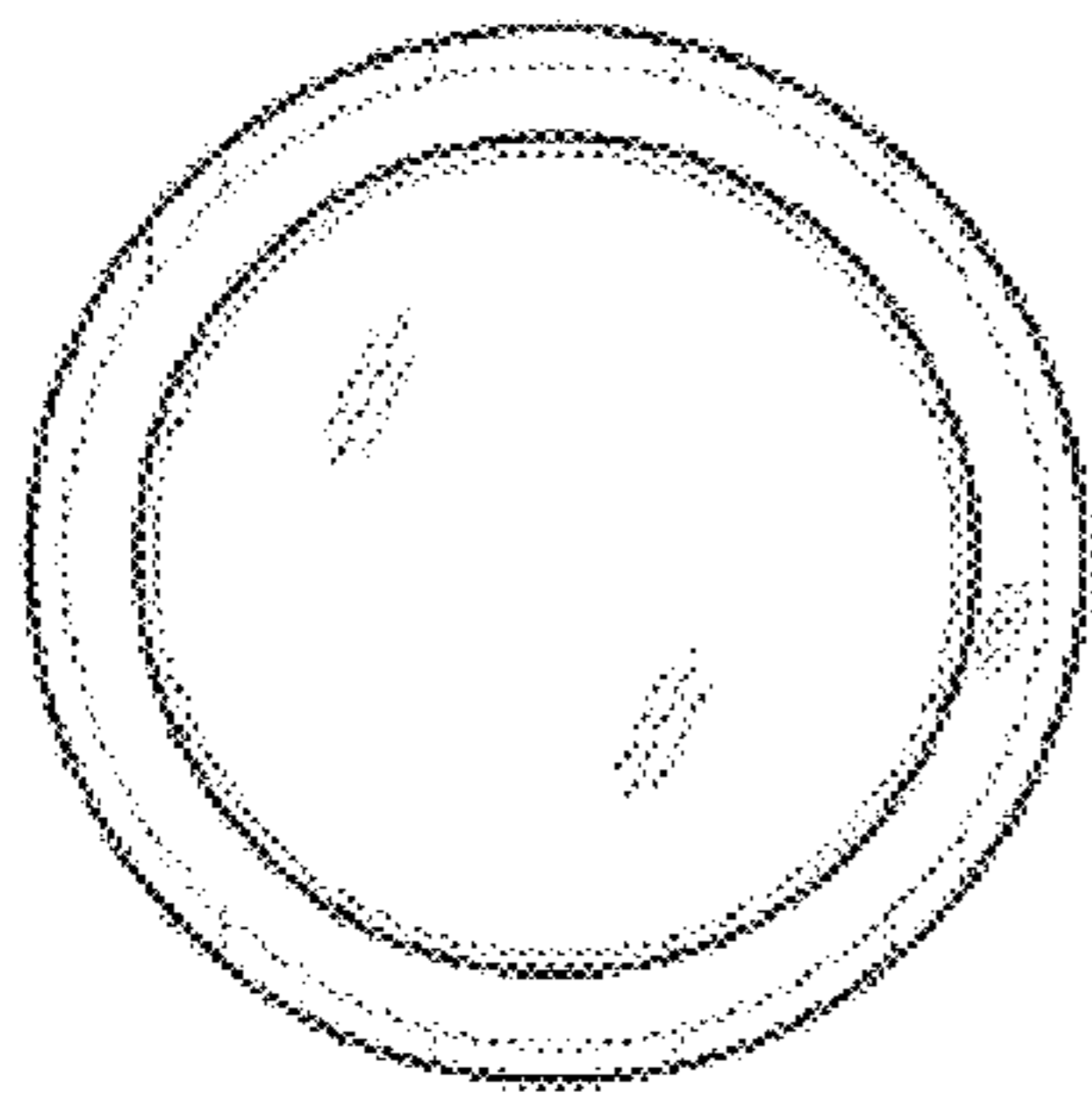


FIG. 9

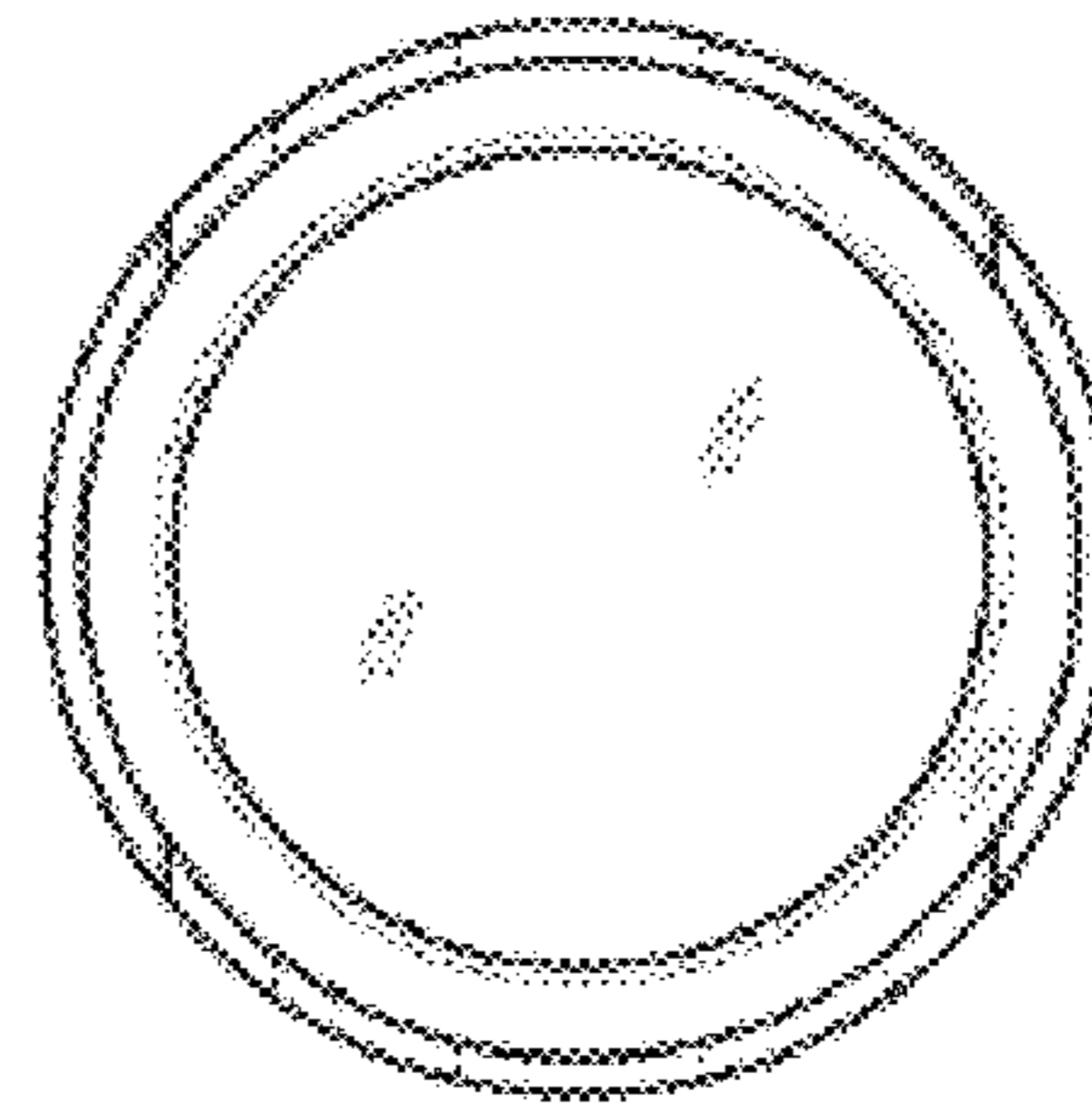


FIG. 10

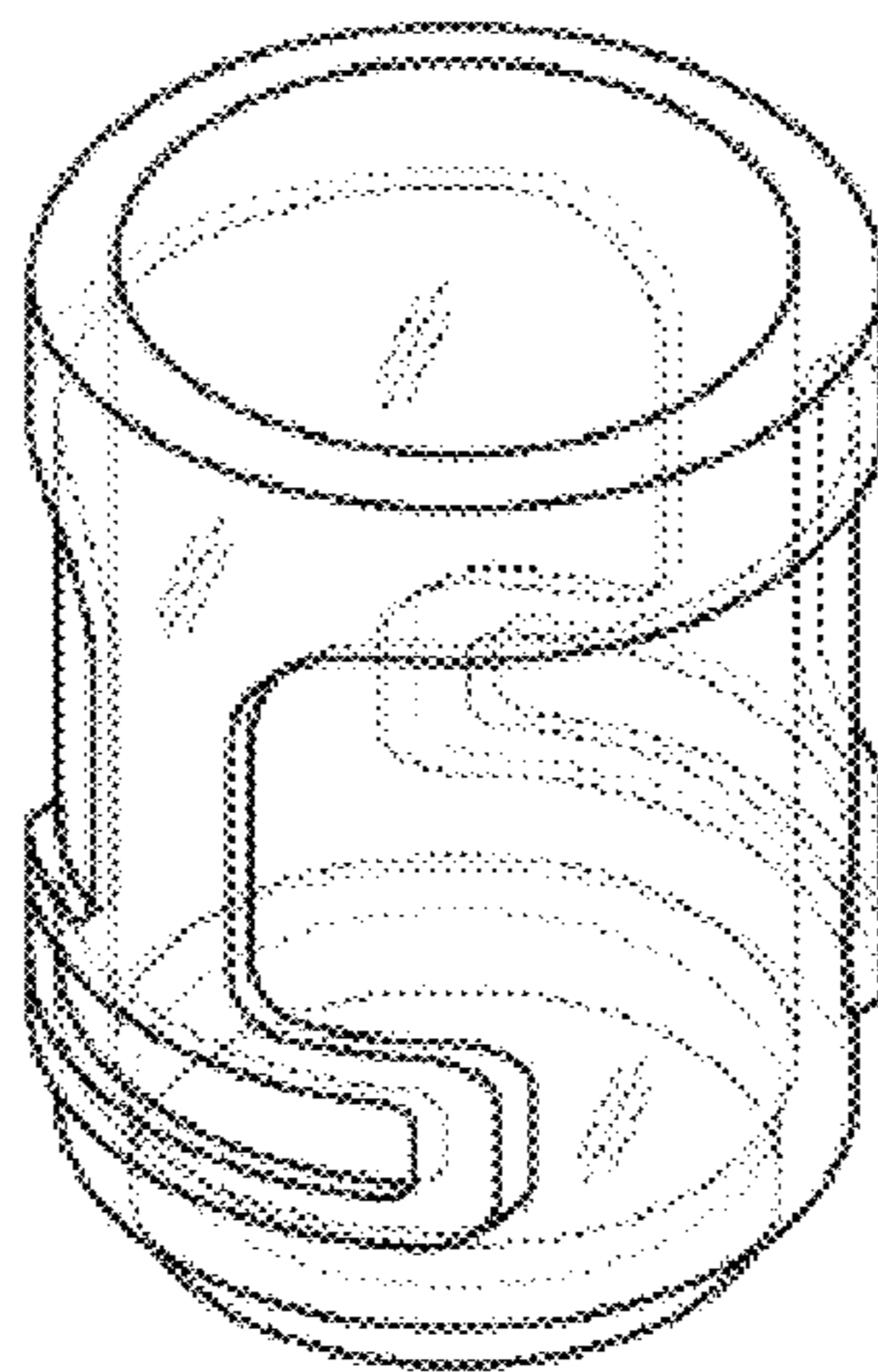


FIG. 11