



US00D806476S

(12) **United States Design Patent** (10) **Patent No.:** **US D806,476 S**
Karl, IV et al. (45) **Date of Patent:** **** Jan. 2, 2018**

(54) **HYDRATION BLADDER**
(71) Applicant: **Shock Doctor, Inc.**, Minnetonka, MN (US)
(72) Inventors: **Adam Peter Karl, IV**, Burlington, VT (US); **Benjamin Casey Lanza**, Sheldon, VT (US); **James Creath Frazier**, Hinesburg, VT (US); **Bradley Philip Fishkin**, Burlington, VT (US); **Faith LeAnn Piotrowski**, Warminster, PA (US)

3,426,940 A 2/1969 Broerman
3,822,720 A 7/1974 Souza
D249,111 S 8/1978 Geyer
4,486,043 A 12/1984 Rais
4,552,396 A 11/1985 Rais
(Continued)

FOREIGN PATENT DOCUMENTS

CA 2681941 A1 4/2011
CN 301787340 S 1/2012
(Continued)

(73) Assignee: **Shock Doctor, Inc.**, Minnetonka, MN (US)

OTHER PUBLICATIONS

International Search Report and Written Opinion issued in PCT/US2016/035778, dated Apr. 10, 2017, 18 pages.
(Continued)

(**) Term: **15 Years**

Primary Examiner — Marianne Pandozzi
Assistant Examiner — Jae Liang
(74) *Attorney, Agent, or Firm* — Faegre Baker Daniels LLP

(21) Appl. No.: **29/566,908**

(22) Filed: **Jun. 3, 2016**

(51) **LOC (11) Cl.** **07-01**

(52) **U.S. Cl.**
USPC **D7/509**; D9/708; D3/202; D7/529

(58) **Field of Classification Search**
USPC D7/507, 509, 510, 511, 523, 529, 530, D7/531, 532, 533, 536, 608, 598, 300.1, D7/320, 629, 392.1, 396.2, 396.6, 387, D7/667, 537, 524, 525, 601, 213, 619.1; D9/435, 436, 443, 452, 453, 447, 440, D9/503, 707, 708; 220/592.16, 592.17, 220/705, 495.03; 215/381; D3/202; D14/252, 411, 415, 253; D15/135
CPC A47G 19/22; A47G 19/2205; A47G 19/2211; A47G 19/2266; A47G 19/2272; A45F 3/16; B65D 47/066; B60R 2011/0008; B60R 11/02; B60R 11/0241; B60R 11/0258

See application file for complete search history.

(56) **References Cited**

U.S. PATENT DOCUMENTS

2,463,651 A 3/1949 Stevens
D185,649 S 7/1959 Schlumbohm

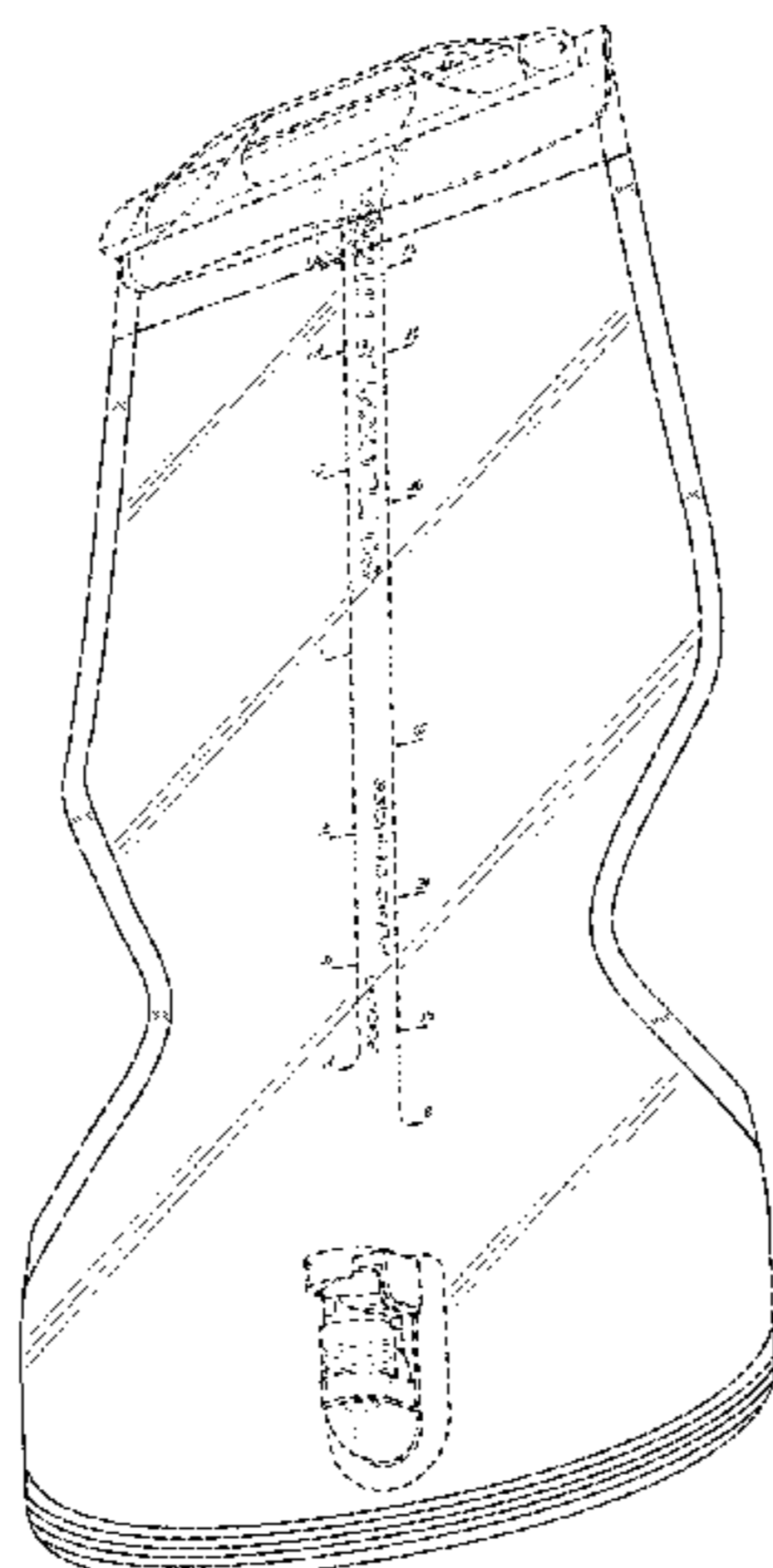
(57) **CLAIM**

The ornamental design for a hydration bladder, as shown and described.

DESCRIPTION

FIG. 1 is a front perspective view of a hydration bladder showing our new design;
FIG. 2 is a front view thereof;
FIG. 3 is a rear view thereof;
FIG. 4 is a left side view thereof;
FIG. 5 is a right side view thereof;
FIG. 6 is a top view thereof; and,
FIG. 7 is a bottom view thereof.
The broken lines in the drawing depict portions of the hydration bladder that form no part of the claimed design.

1 Claim, 5 Drawing Sheets



(56)

References Cited

U.S. PATENT DOCUMENTS

4,660,876 A 4/1987 Weldin et al.
 4,703,863 A 11/1987 Kohus
 D295,259 S 4/1988 Goettner
 D312,878 S 12/1990 Mariol
 D313,075 S 12/1990 Mariol
 D350,672 S 9/1994 Egger et al.
 5,409,151 A 4/1995 Freimark
 5,413,231 A 5/1995 Carroll et al.
 5,609,039 A 3/1997 Green et al.
 D383,037 S 9/1997 Asberg
 5,667,101 A 9/1997 Barrash et al.
 5,671,503 A 9/1997 Uebelacker et al.
 5,676,285 A 10/1997 Vinarsky
 5,765,888 A 6/1998 Stack
 5,803,290 A 9/1998 Bongiorno
 D404,254 S 1/1999 Asberg
 D417,850 S * 12/1999 Miller D9/542
 D425,410 S * 5/2000 Berman D9/710
 D427,909 S 7/2000 Doritty et al.
 6,086,124 A 7/2000 Wang
 6,131,780 A 10/2000 Becker
 D433,625 S * 11/2000 Berman D9/710
 6,170,712 B1 1/2001 Kasboske
 D437,549 S * 2/2001 Berman D9/710
 6,247,619 B1 * 6/2001 Gill A45F 3/20
 222/105
 6,385,992 B1 5/2002 Flore et al.
 6,431,406 B1 8/2002 Pruett
 D474,341 S 5/2003 Cantone et al.
 D478,509 S 8/2003 DeCotis
 D481,307 S * 10/2003 Harren D9/708
 D482,284 S 11/2003 Cantone et al.
 6,729,665 B1 5/2004 Posey et al.
 D504,610 S * 5/2005 Berman D9/708
 D508,413 S * 8/2005 Ueda D9/708
 6,981,614 B2 1/2006 Niggemyer
 D528,011 S * 9/2006 Ueda D9/702
 D532,703 S * 11/2006 Wild D9/442
 7,178,687 B1 2/2007 Manderfield et al.
 D538,030 S * 3/2007 Karl D3/202
 D538,657 S 3/2007 Webb et al.
 D551,568 S * 9/2007 Berman D9/708
 D553,008 S * 10/2007 Berman D9/708
 7,311,231 B2 12/2007 Noell et al.
 D560,122 S * 1/2008 Fuchs D9/708
 D581,808 S * 12/2008 Schwartz D9/708
 7,533,783 B2 5/2009 Choi et al.
 7,686,178 B2 3/2010 Grant et al.
 D615,366 S 5/2010 Berezansky
 D622,149 S 8/2010 Bernstein et al.
 7,819,293 B1 10/2010 O'Connell
 7,845,506 B2 12/2010 Willows et al.
 D638,299 S 5/2011 Bernstein et al.
 D644,937 S * 9/2011 Ueda D9/708
 D645,762 S * 9/2011 Hong D9/710
 8,043,005 B2 10/2011 Lyon et al.
 D656,038 S 3/2012 Molayem
 8,152,011 B2 4/2012 Willows et al.
 8,182,683 B1 5/2012 Allen
 8,186,881 B2 5/2012 Lyon et al.
 D662,419 S 6/2012 Potts
 D678,777 S * 3/2013 Neset D9/601
 8,397,962 B1 3/2013 O'Connell
 D679,142 S 4/2013 Allen
 D681,326 S 5/2013 Willows et al.
 D682,545 S 5/2013 Willow
 D687,222 S 8/2013 Willows
 D690,605 S * 10/2013 Hong D9/710
 8,622,237 B2 1/2014 Choi et al.
 8,727,153 B2 5/2014 Willows et al.

8,727,244 B2 5/2014 Bernstein et al.
 8,777,048 B2 7/2014 Choi et al.
 D724,954 S 3/2015 Niggemyer
 D729,580 S * 5/2015 Waldis D7/509
 D734,940 S * 7/2015 Fay D3/202
 D738,221 S 9/2015 White
 D738,223 S * 9/2015 Chan D9/708
 D740,133 S * 10/2015 Murray D9/708
 D769,129 S 10/2016 Patterson et al.
 D769,130 S * 10/2016 Lederer D9/708
 2005/0072804 A1 * 4/2005 Brown A45F 3/20
 222/175
 2005/0189385 A1 9/2005 Dreyer et al.
 2006/0027611 A1 2/2006 Hobbs
 2006/0043127 A1 3/2006 Butler
 2006/0163284 A1 * 7/2006 Karl A45F 3/18
 222/175
 2007/0108239 A1 5/2007 San Nicholas
 2008/0210659 A1 * 9/2008 McKinney A45F 3/16
 215/382
 2010/0084411 A1 * 4/2010 Lien A45F 3/20
 220/592.16
 2010/0176081 A1 7/2010 Kamineni et al.
 2010/0206919 A1 8/2010 Boyom
 2010/0308086 A1 * 12/2010 Chapuis A45F 3/04
 224/148.2
 2011/0113524 A1 5/2011 Sinder
 2011/0132932 A1 6/2011 Duran
 2013/0075393 A1 3/2013 Haynie
 2014/0183156 A1 7/2014 Hanan
 2014/0202982 A1 7/2014 Willows et al.
 2014/0374413 A1 12/2014 Lyon et al.
 2014/0376833 A1 12/2014 Lyon et al.
 2015/0053718 A1 2/2015 Lyon et al.
 2015/0102058 A1 4/2015 Lyon et al.
 2016/0262525 A1 * 9/2016 Lorbecki A45F 3/16

FOREIGN PATENT DOCUMENTS

CN 302082943 S 9/2012
 EP 0652158 A1 5/1995
 EP 2617656 A1 7/2013
 GB 2451667 A 2/2009
 TW 580360 3/2004
 WO 2009105674 A2 8/2009

OTHER PUBLICATIONS

Barnhart, Adam, Hydrapak SoftFlask Review <http://www.irunfar.com/2014/02/hydrapak-softflask-review.html>, available Feb. 6, 2014, accessed May 6, 2016, 8 pages.
 Dusterhoff, Kurt, Inov-8 Race Ultra 0.25 Soft Flask Handheld gear review, <http://cotswoldrunning.blogspot.co.uk> (<http://cotswoldrunning.blogspot.co.uk>), available Dec. 8, 2015, accessed May 6, 2016, 6 pages.
 International Application No. PCT/US2016/035778 Entitled Hand-Carried Hydration Bladder, filed Jun. 3, 2016.
 International Application No. PCT/US2016/035784 Entitled Hydration Bladder Including Liquid Movement—Reducing Features, filed Jun. 3, 2016.
 Design U.S. Appl. No. 29/566,912 entitled Hydration Bladder, filed Jun. 3, 2016.
 International Search Report and Written Opinion issued in PCT/US2016/035784, dated Feb. 8, 2017, 12 pages.
 Invitation to Pay Additional Fees With Partial Search Report issued in PCT/US2016/035778, dated Feb. 21, 2017, 6 pages.
 Notice of Allowance and Search Report, issued in Taiwan Design Application No. 105307317, dated Jun. 6, 2017, 4 pages.

* cited by examiner

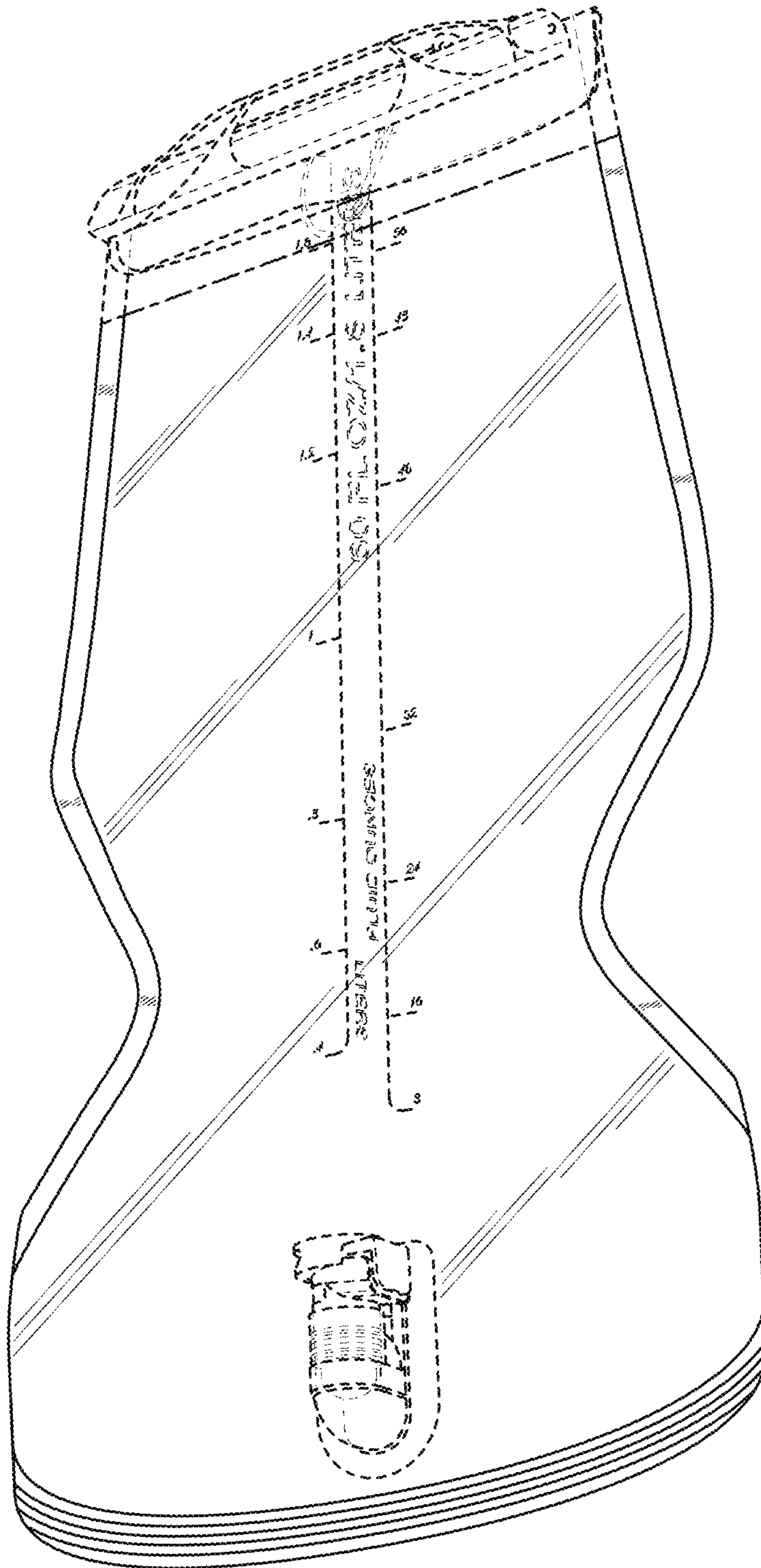


FIG. 1

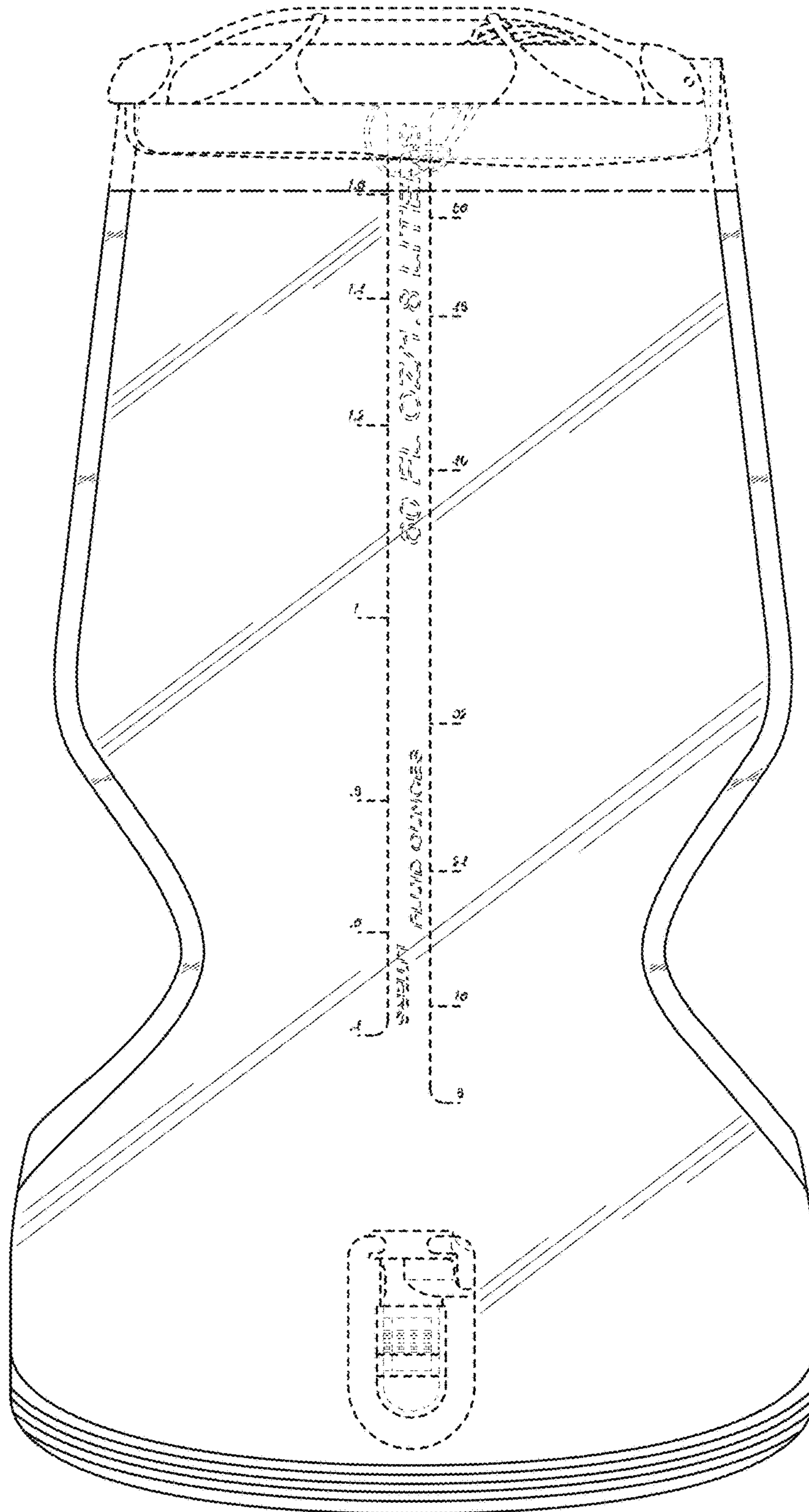


FIG. 2

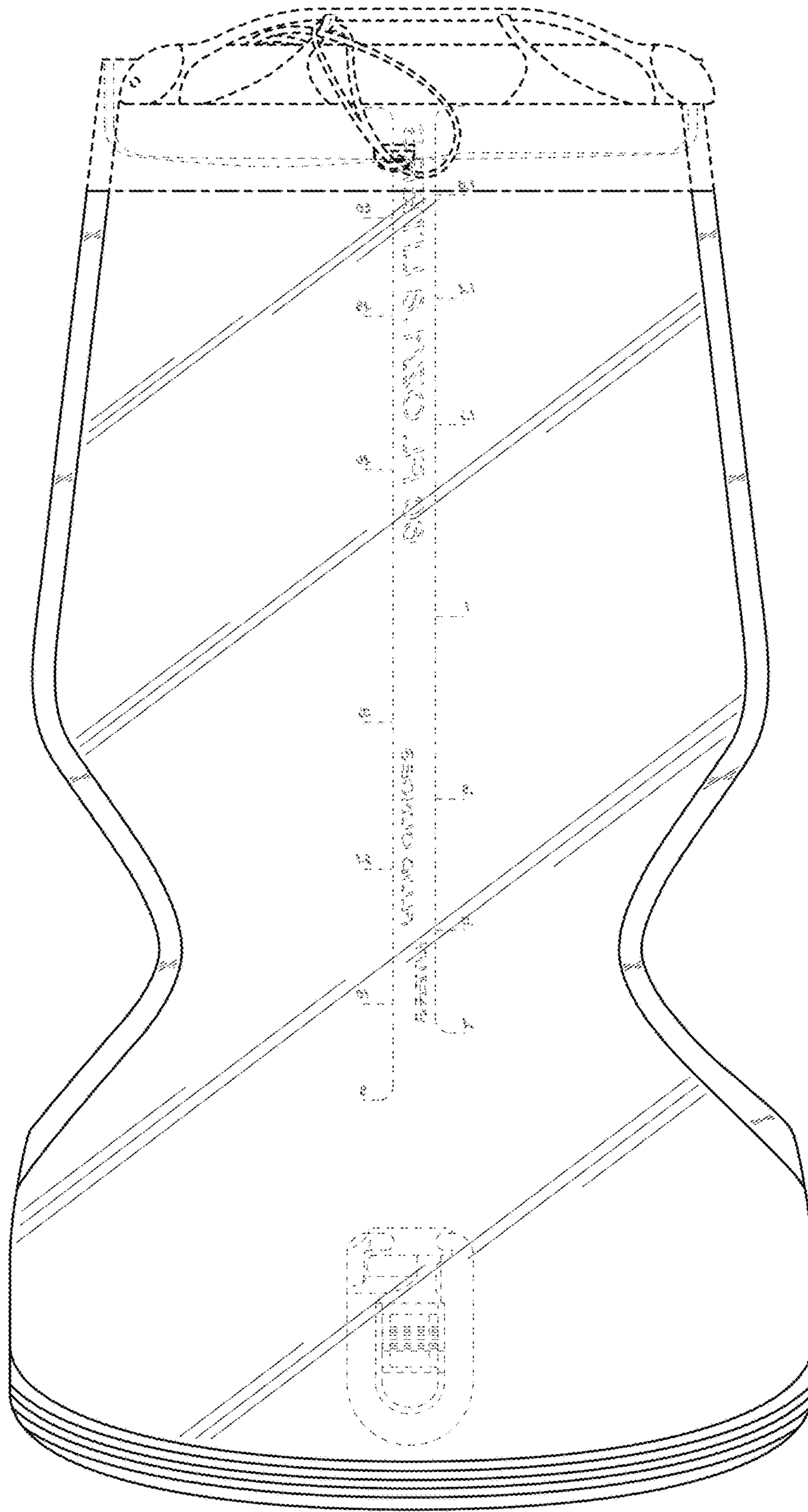


FIG. 3

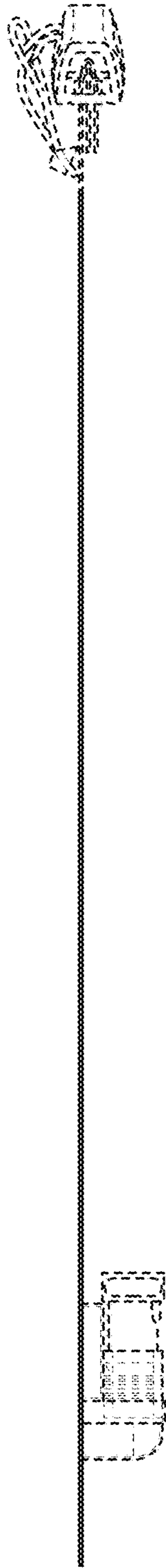


FIG. 4

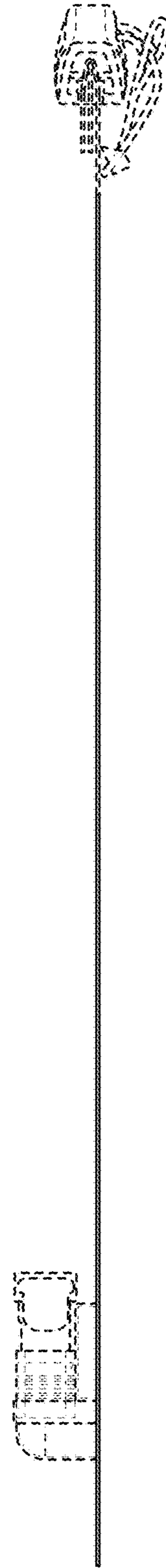


FIG. 5

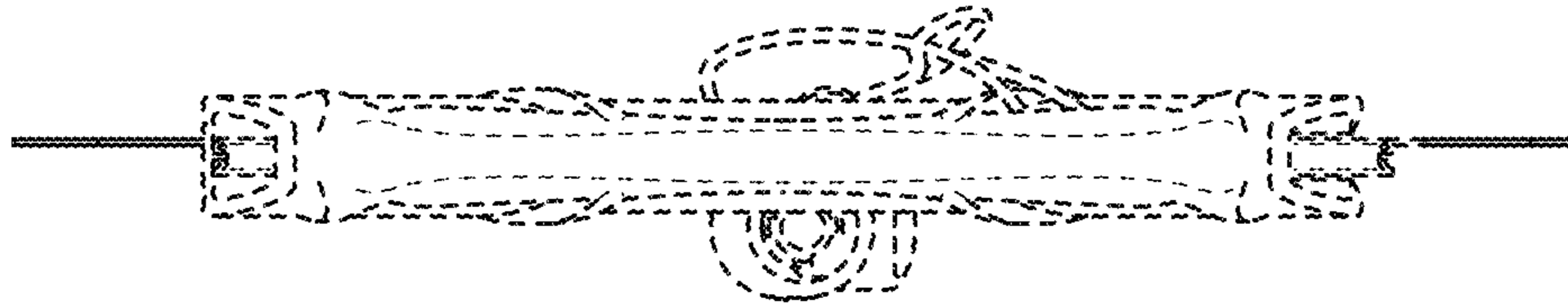


FIG. 6

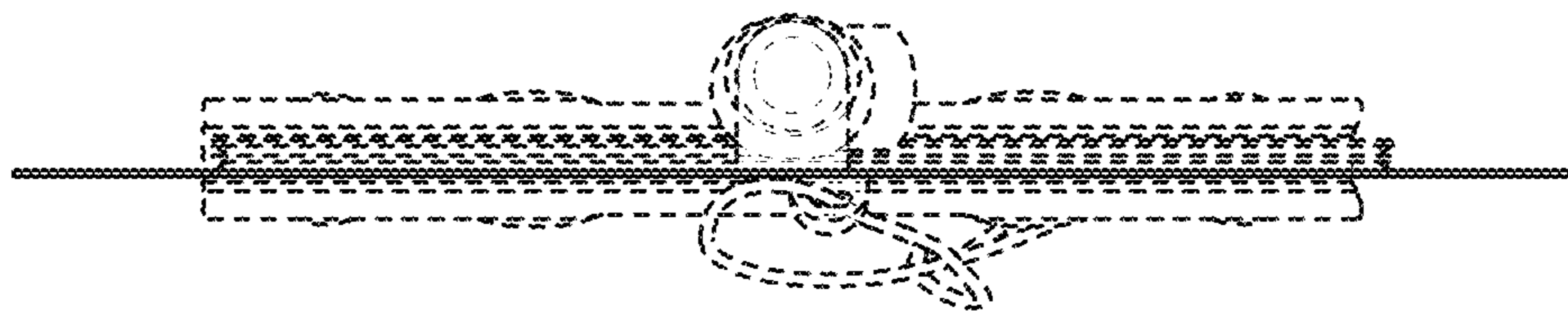


FIG. 7