



US00D806474S

(12) **United States Design Patent**
Greenwood

(10) **Patent No.:** **US D806,474 S**

(45) **Date of Patent:** **** Jan. 2, 2018**

- (54) **PORTABLE FOOD TURNTABLE**
- (71) Applicant: **YouCopia Products Inc.**, Chicago, IL (US)
- (72) Inventor: **Mark Greenwood**, Arlington Heights, IL (US)
- (**) Term: **15 Years**
- (21) Appl. No.: **29/556,725**
- (22) Filed: **Mar. 2, 2016**
- (51) **LOC (11) Cl.** **07-01**
- (52) **U.S. Cl.**
USPC **D7/501; D7/555**
- (58) **Field of Classification Search**
USPC D7/555, 501
CPC B28B 17/0018; B65D 1/00; B65D 1/34; B65D 1/36; B65D 43/162; B65D 43/0249; A47G 19/02; A47G 19/06; A47G 19/22
See application file for complete search history.

- D281,849 S * 12/1985 Cantor D7/555
- D282,998 S * 3/1986 Ransom 206/551
- D364,537 S * 11/1995 Anderson D7/553.6
- D376,732 S * 12/1996 Smith D7/553.6
- D551,024 S * 9/2007 Rouso D7/555
- D693,646 S * 11/2013 Katterheinrich D7/555

* cited by examiner

Primary Examiner — Cynthia Underwood
(74) *Attorney, Agent, or Firm* — Knechtel, Demeur & Samlan

(57) **CLAIM**

I claim the ornamental design for a portable food turntable, as shown and described.

DESCRIPTION

FIG. 1 is a perspective view of a portable food turntable showing the new design thereof.
 FIG. 2 is a top elevational view thereof.
 FIG. 3 is a front side elevational view thereof.
 The back side elevational view is the exact same as the front side elevational view.
 The right side elevational view is the exact same as the front side elevational view,
 The left side elevational view is the exact same as the right side elevational view; and,
 FIG. 4 is a bottom side elevational view thereof.
 The broken lines for the portable food turntable throughout FIGS. 1 through 4 are for illustrative purposes only and form no part of the claimed design.

1 Claim, 3 Drawing Sheets

(56) **References Cited**

U.S. PATENT DOCUMENTS

- 982,065 A * 1/1911 Huddleson B28B 17/0018
206/1.8
- D268,728 S * 4/1983 Poling D3/313
- D269,930 S * 8/1983 Powers D7/357

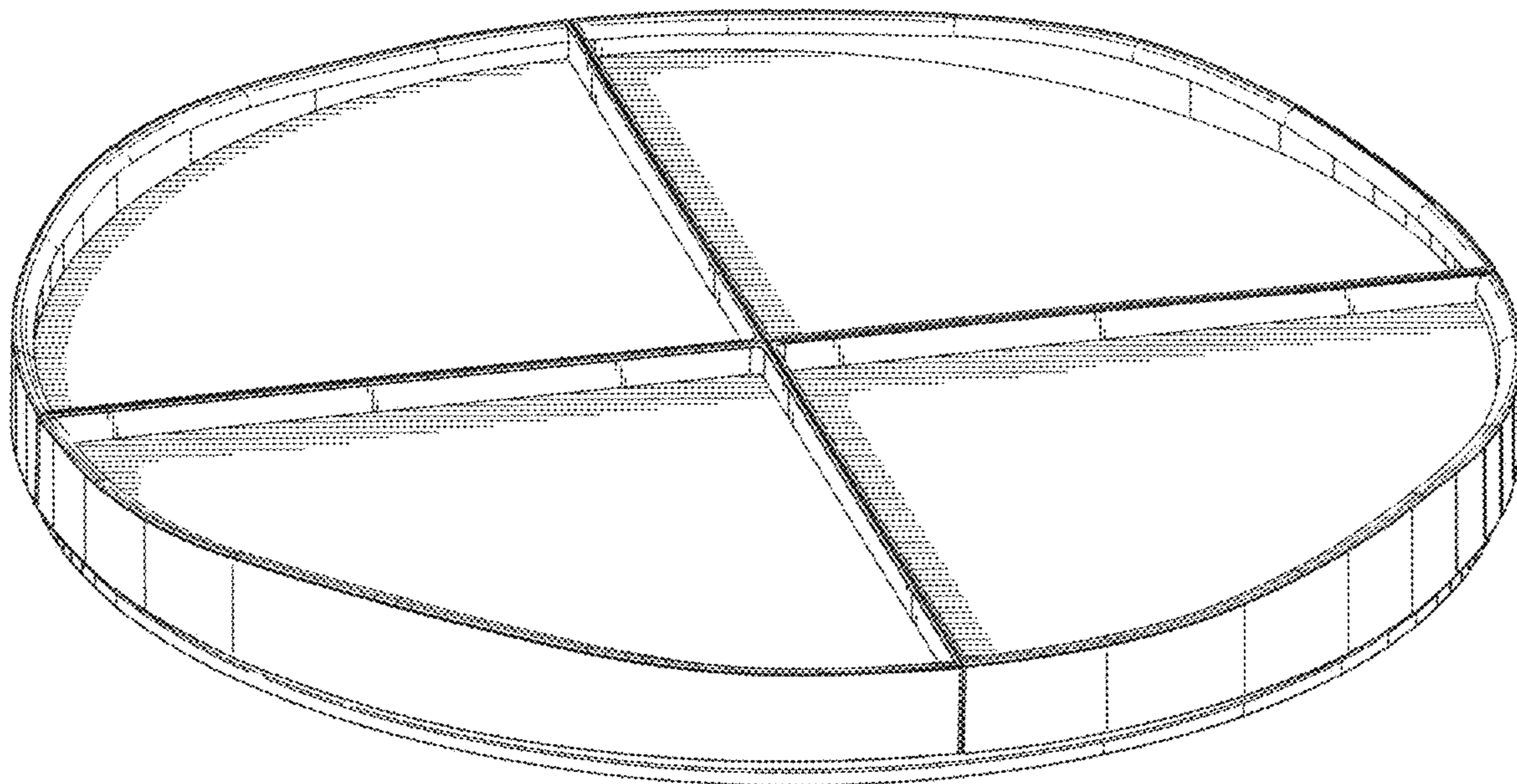


Fig. 1

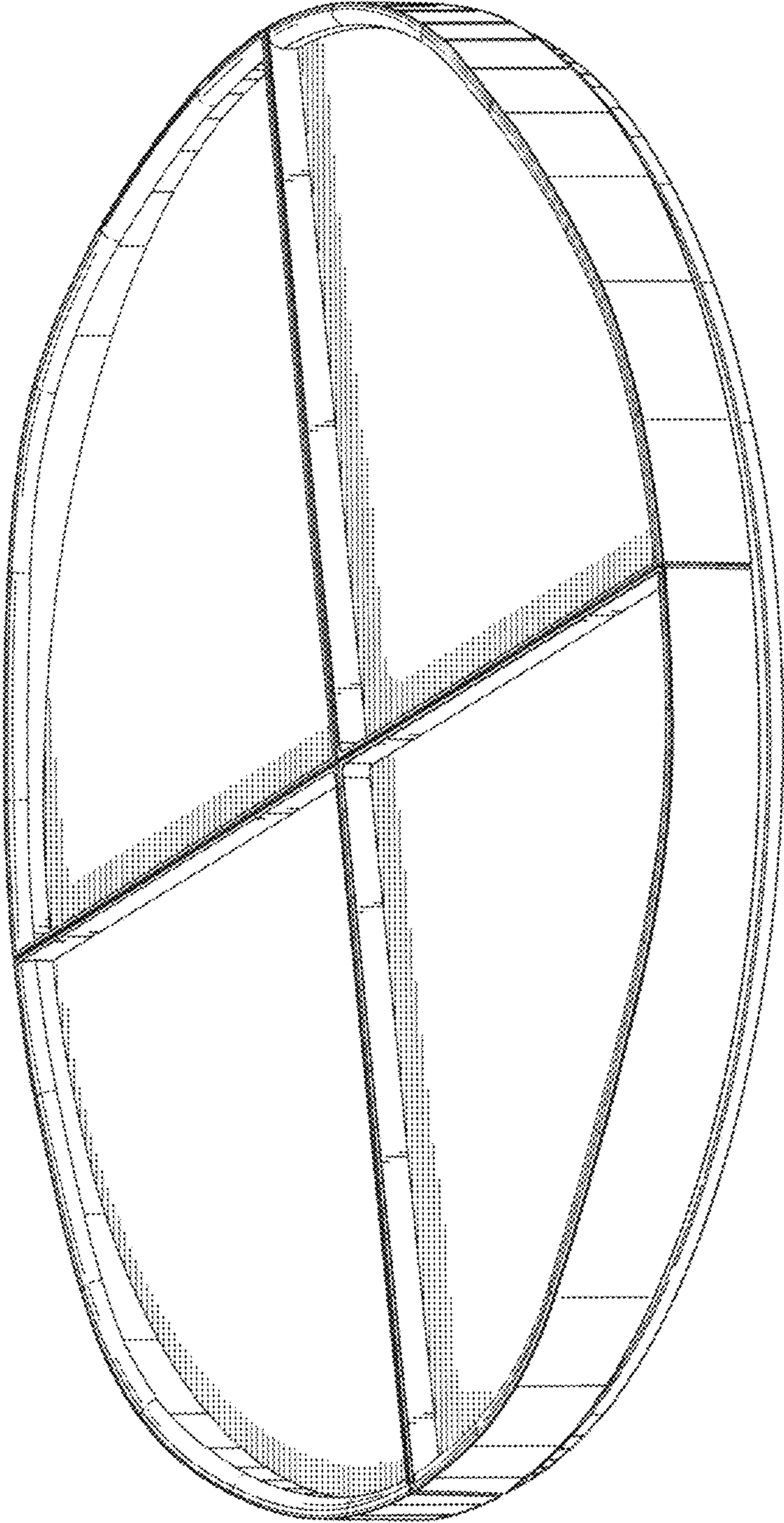


Fig. 2

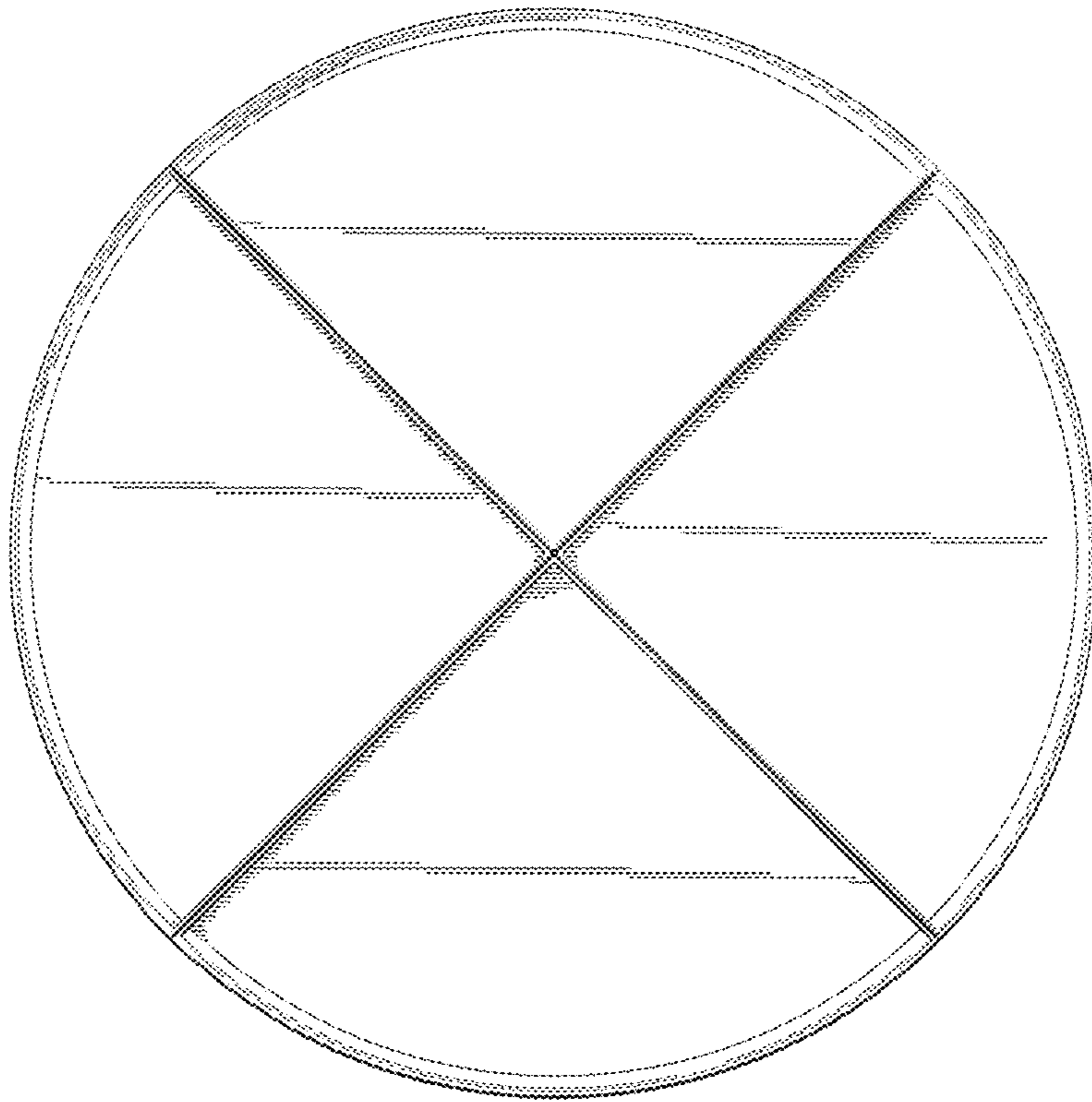


Fig. 3

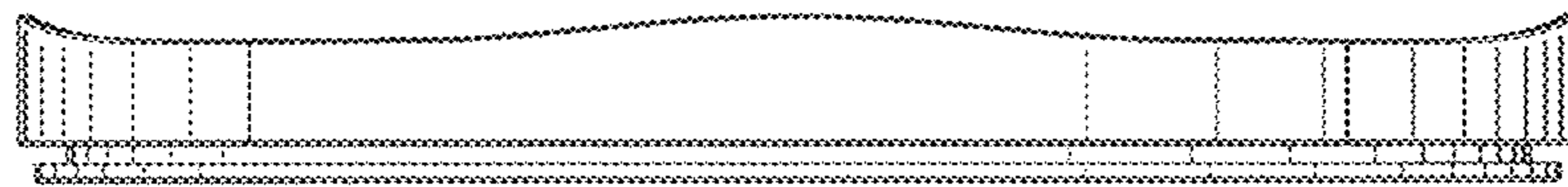


Fig. 4

