



US00D806471S

(12) **United States Design Patent** (10) **Patent No.:** **US D806,471 S**
Fullmer et al. (45) **Date of Patent:** **** *Jan. 2, 2018**

(54) **GRILLING PAN**

(56) **References Cited**

(71) Applicant: **Trinidad Benham Corporation**,
Denver, CO (US)

(72) Inventors: **Scott D. Fullmer**, Lone Tree, CO (US);
John W. Adam, Castle Pines, CO (US);
Donald W. Lawson, St. Simons Island,
GA (US); **Christopher M. Eckert**,
Huntington, IN (US)

(73) Assignee: **Trinidad Benham Corporation**,
Denver, CO (US)

U.S. PATENT DOCUMENTS

3,199,438 A * 8/1965 Myler A47J 37/041
248/175
D241,777 S * 10/1976 Aliman D15/89
D311,339 S * 10/1990 Weed D7/359
5,453,574 A * 9/1995 Zuran A47J 37/067
126/25 R
5,884,555 A * 3/1999 Chang A47J 37/067
99/400
6,131,505 A * 10/2000 Lin A47J 37/041
403/386
D444,950 S * 7/2001 Hwang D3/323

(*) Notice: This patent is subject to a terminal disclaimer.

(**) Term: **15 Years**

(21) Appl. No.: **29/554,449**

(22) Filed: **Feb. 11, 2016**

(51) **LOC (11) Cl.** **07-02**

(52) **U.S. Cl.**
USPC **D7/409; D7/354**

(58) **Field of Classification Search**
USPC D3/323; D6/601; D7/323, 332,
D7/335-337, 354-355, 359-367,
D7/387-388, 402, 407-409, 698;
D9/456; D11/155; D15/89; D23/365
CPC A21B 2/00; A21B 3/00; A21B 3/13; A21B
3/15; A21B 5/00; A21B 5/02; A23N
12/06; A23N 12/08; A23N 12/10; A47J
37/00; A47J 37/04; A47J 37/041; A47J
37/042; A47J 37/06; A47J 37/067; A47J
37/0688; A47J 37/0694; A47J 37/07;
A47J 37/0704; A47J 37/10; A47J 47/20;
A47J 2037/00; A47J 2037/06; A47J
2037/0611; A47J 2037/07; A47J
2037/0786; A47J 2037/0795; F24C 15/10;
F24C 15/12; F24C 15/14; F24C 15/16;
F24C 15/164; F24C 15/18

See application file for complete search history.

(Continued)

Primary Examiner — Ricky Pham

(74) *Attorney, Agent, or Firm* — Marsh Fischmann & Breyfogle, LLP

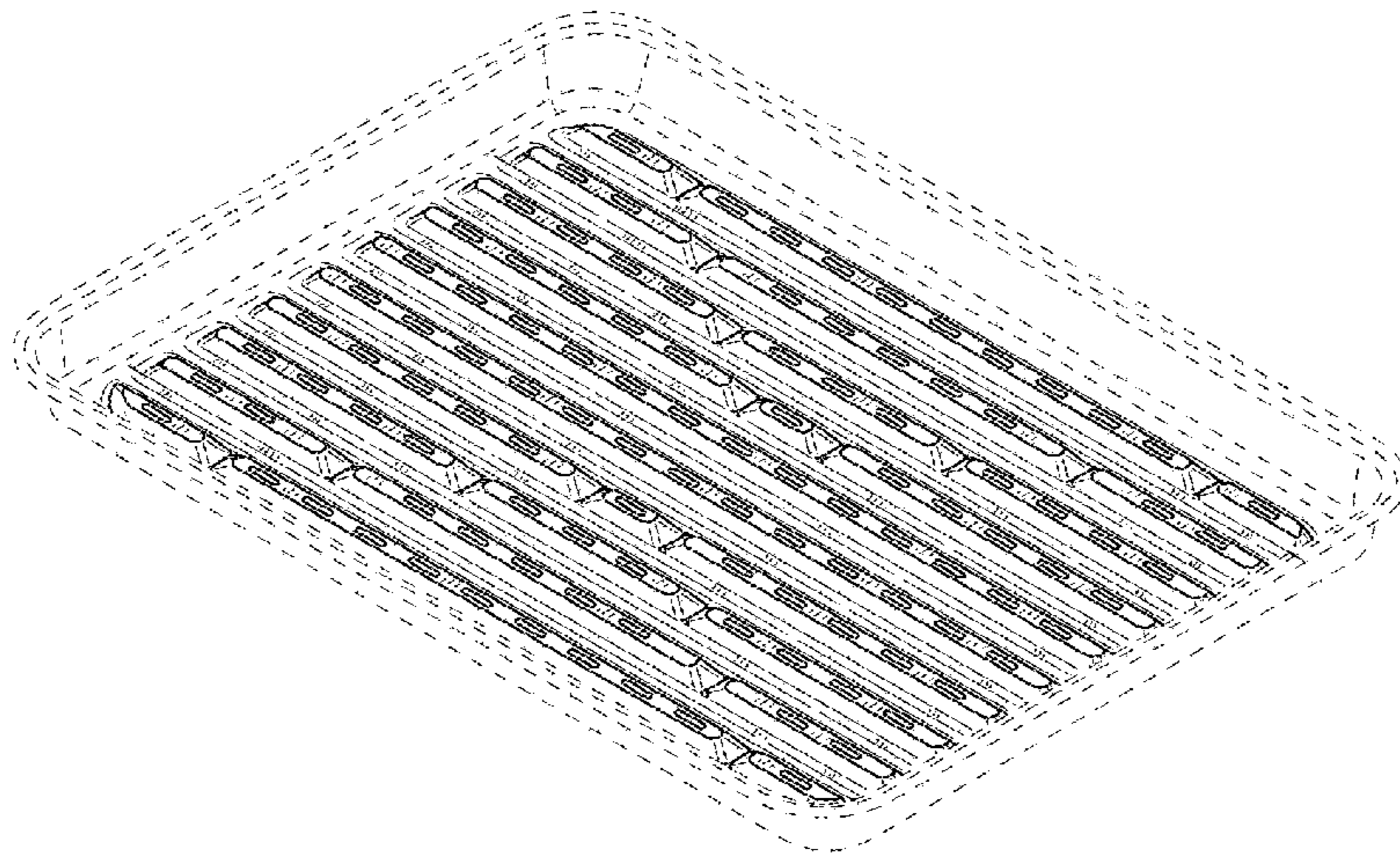
(57) **CLAIM**

The ornamental design for a grilling pan, as shown and described.

DESCRIPTION

FIG. 1 is a top perspective view of a grilling pan;
FIG. 2 is a bottom perspective view of the grilling pan of FIG. 1;
FIG. 3 is a top view of the grilling pan of FIG. 1;
FIG. 4 is a bottom view of the grilling pan of FIG. 1;
FIG. 5 is a front view of the grilling pan of FIG. 1, the rear side being a mirror image thereof;
FIG. 6 is a right side view of the grilling pan of FIG. 1, the left side being a mirror image thereof;
FIG. 7 is a cross-sectional view of the grilling pan of FIG. 1, taken along line 7-7 of FIG. 3; and,
FIG. 8 is a cross-sectional view of the grilling pan of FIG. 1, taken along line 8-8 of FIG. 3.
The broken lines in the drawing indicate environmental structure and form no part of the design to be patented.

1 Claim, 6 Drawing Sheets



(56)

References Cited

U.S. PATENT DOCUMENTS

D463,202 S * 9/2002 Smith D7/359
6,481,343 B1 * 11/2002 Rigney A47J 37/067
99/396
D566,556 S * 4/2008 Baker D9/456
D567,022 S * 4/2008 Spangrud D7/409
D569,160 S * 5/2008 Mossbeck D6/601
D570,154 S * 6/2008 Wang D7/359
D600,070 S * 9/2009 Kellermann D7/409
D604,556 S * 11/2009 Zemel D7/359
D608,146 S * 1/2010 Zemel D7/409
D618,047 S * 6/2010 Seymour D7/367
7,810,487 B2 * 10/2010 Johnston A47J 37/0694
126/152 A
8,037,879 B2 * 10/2011 Murrin A47J 37/0694
126/25 R
D651,043 S * 12/2011 Sarnoff D7/354
D655,804 S * 3/2012 Platt D23/365
D697,757 S * 1/2014 Xin D7/409
D706,577 S * 6/2014 Funnell, II D7/354
D727,791 S * 4/2015 Montagano D11/155
D757,493 S * 5/2016 Lee D7/352
D774,367 S * 12/2016 Neal D7/698

* cited by examiner

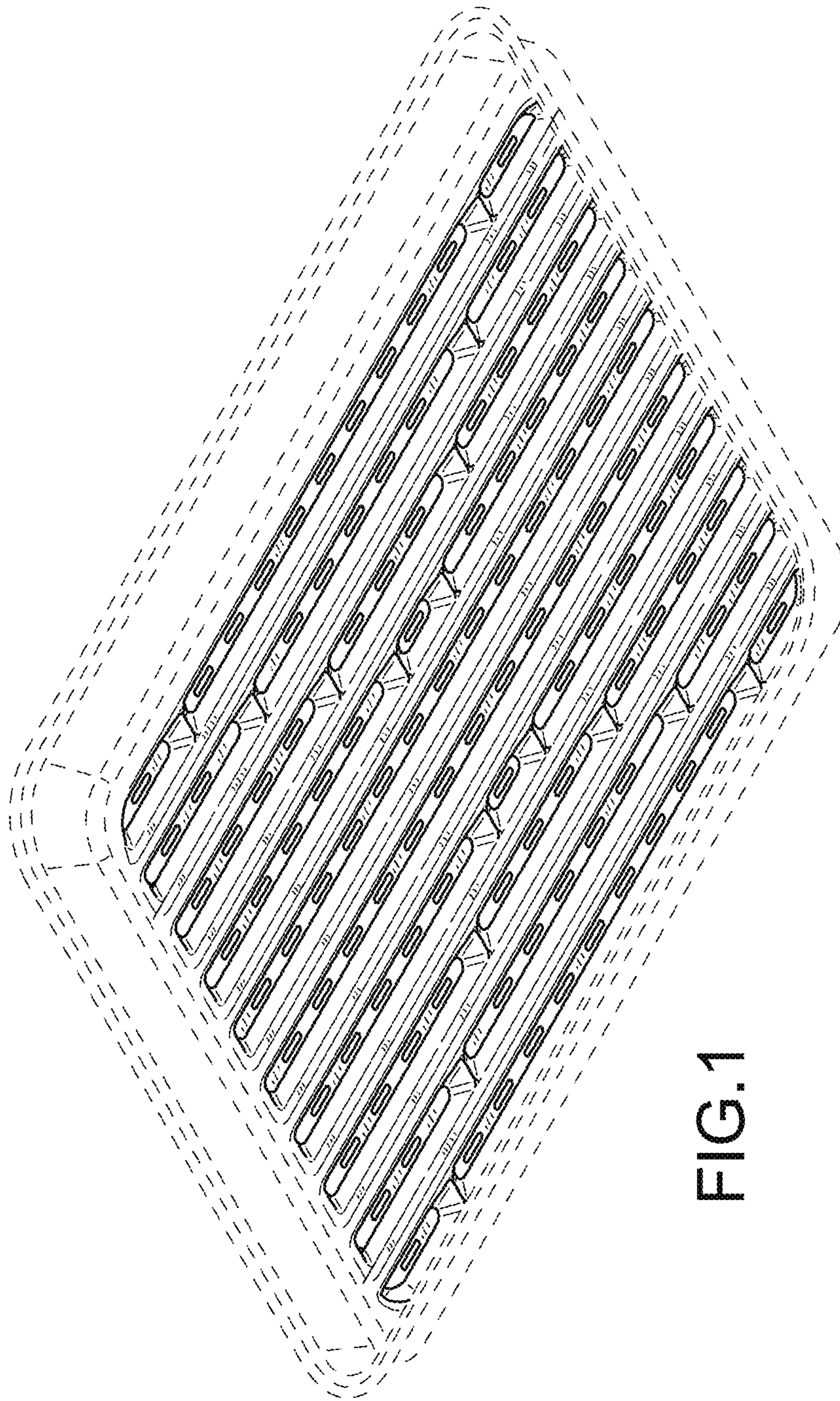


FIG. 1

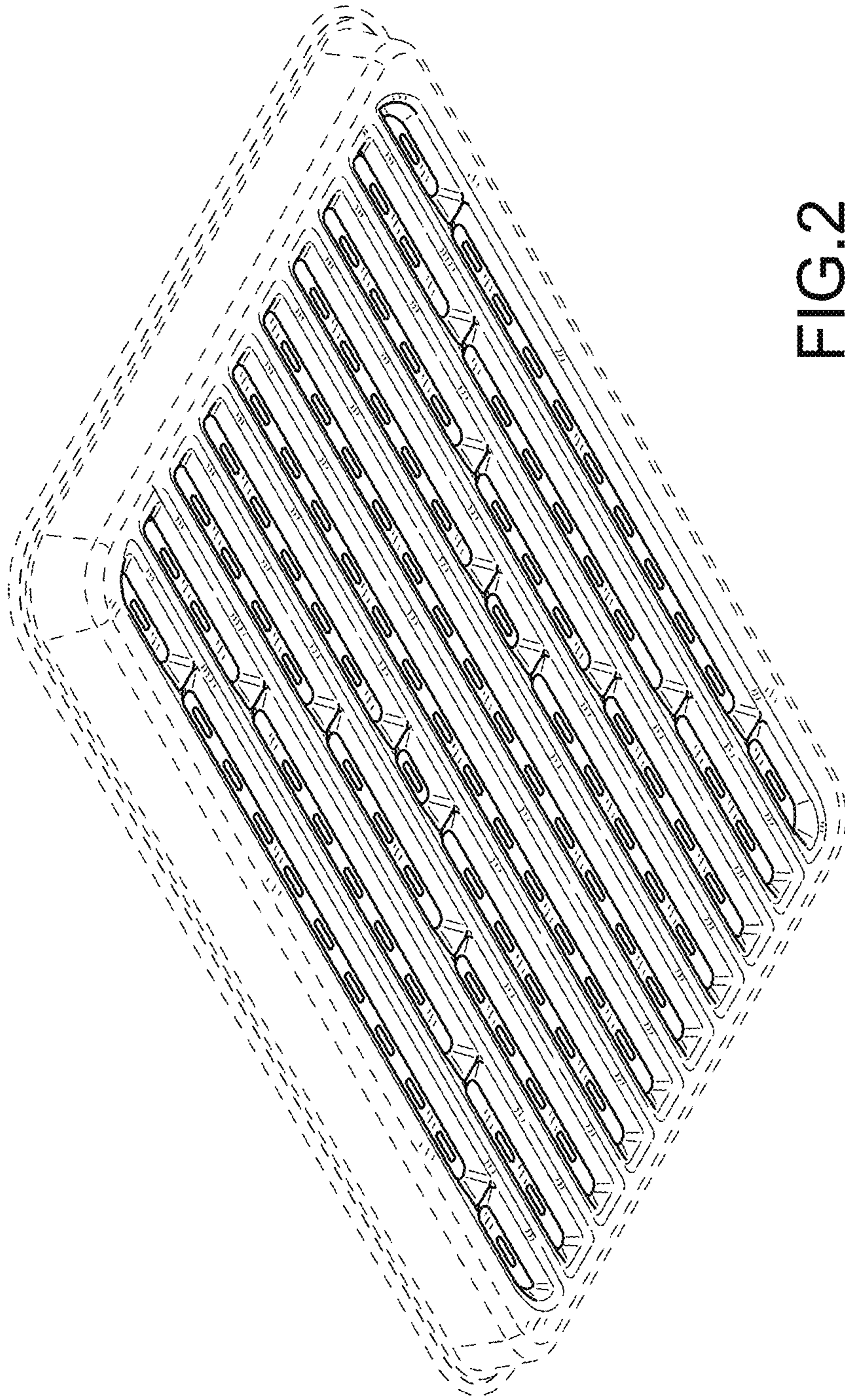


FIG. 2

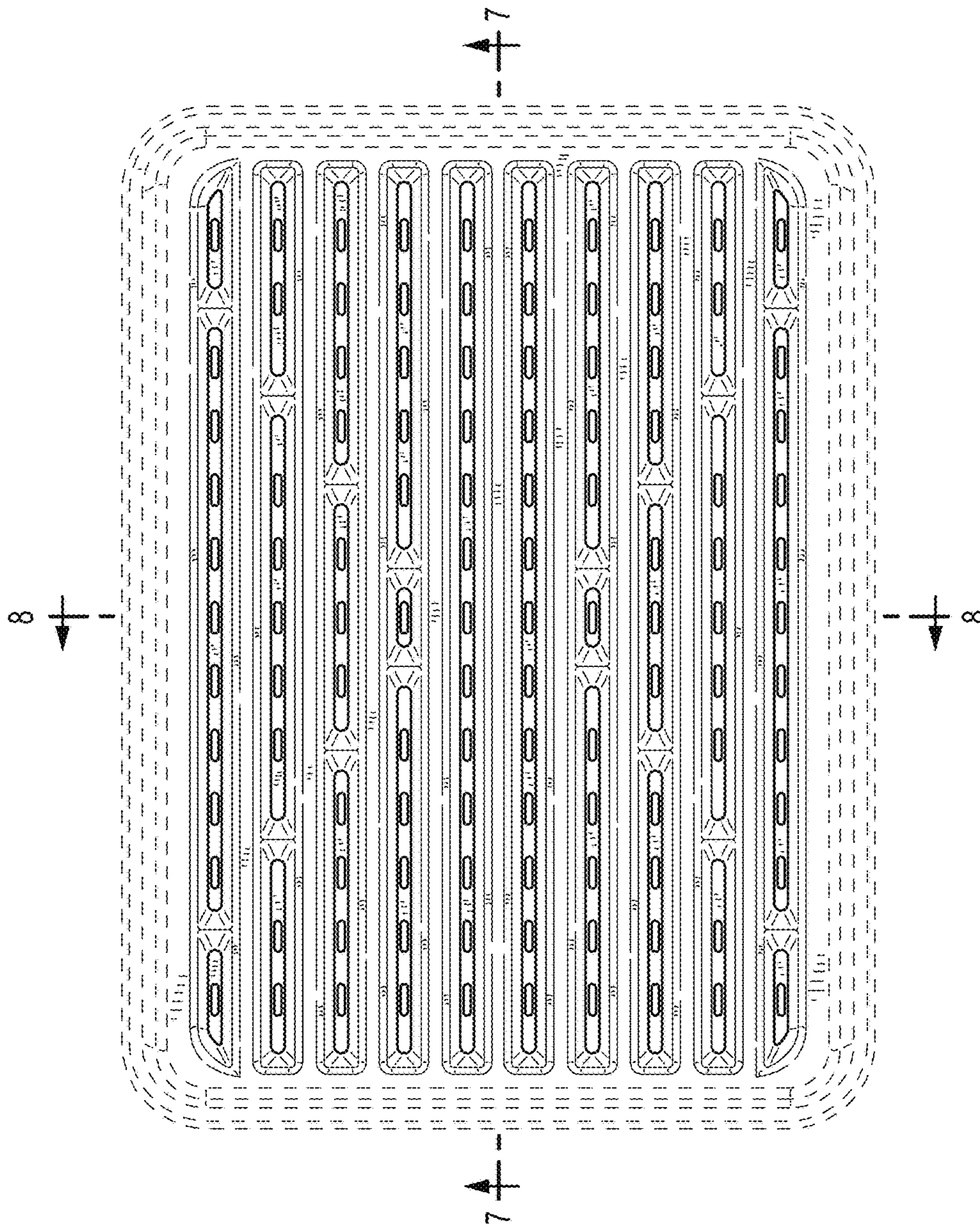


FIG.3

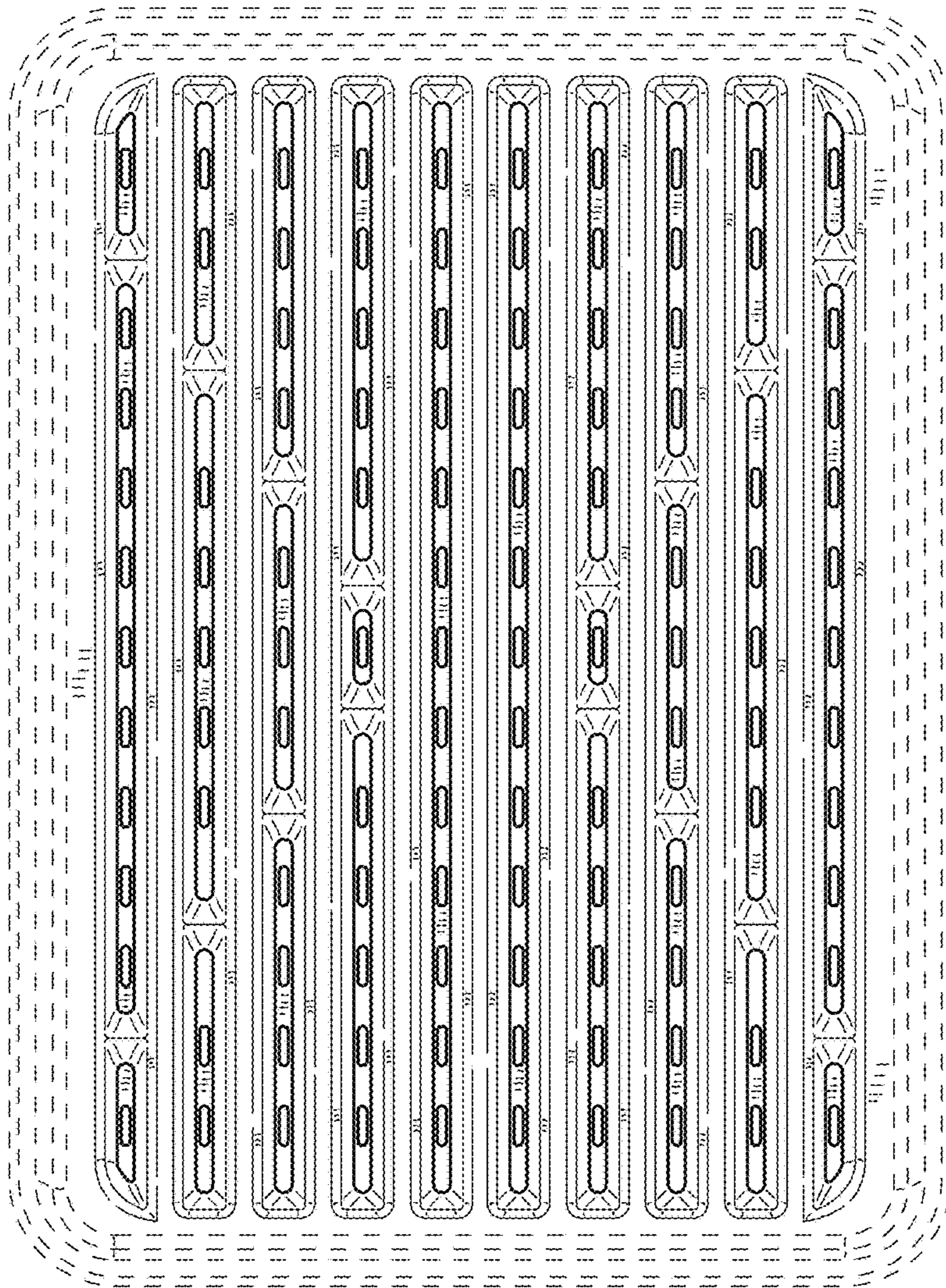


FIG. 4

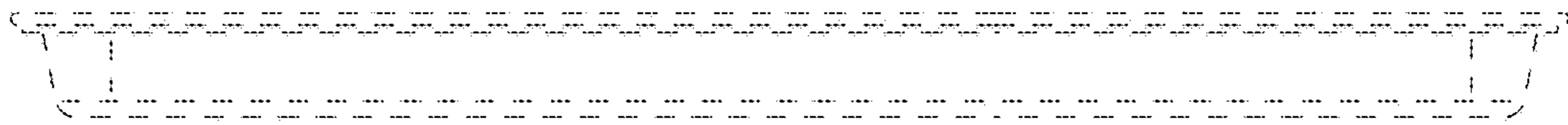


FIG.5



FIG.6



FIG. 7



FIG. 8