



US00D806469S

(12) **United States Design Patent** (10) **Patent No.:** **US D806,469 S**
Palmer (45) **Date of Patent:** **** Jan. 2, 2018**

- (54) **DRINKING CUP LID**
- (71) Applicant: **Ecotop, LLC**, Warwick, RI (US)
- (72) Inventor: **Douglas Palmer**, Warwick, RI (US)
- (73) Assignee: **ECOTOP, LLC**, Warwick, RI (US)
- (**) Term: **15 Years**
- (21) Appl. No.: **29/554,167**
- (22) Filed: **Feb. 9, 2016**

3,595,421 A 7/1971 Sanchis
 3,630,419 A 12/1971 Pierce
 3,670,915 A 6/1972 Forman
 (Continued)

FOREIGN PATENT DOCUMENTS

FR 2682085 A1 4/1993
 FR 2839950 A1 11/2003
 (Continued)

OTHER PUBLICATIONS

“Ecotop Reusable Coffee Cup Lid”. Found online Mar. 13, 2017 at singleservecoffee.com. Page dated May 15, 2012. Retrieved from <http://www.singleservecoffee.com/archives/040040.php>.*

(Continued)

Primary Examiner — Robert M. Spear
Assistant Examiner — Kendra L Hamilton
 (74) *Attorney, Agent, or Firm* — Barlow, Josephs & Holmes, Ltd.

Related U.S. Application Data

- (63) Continuation of application No. 14/703,135, filed on May 4, 2015, now Pat. No. 9,314,121, which is a continuation of application No. 13/412,651, filed on Mar. 6, 2012, now Pat. No. 9,027,774.
- (51) **LOC (11) Cl.** **07-01**
- (52) **U.S. Cl.**
USPC **D7/392.1**
- (58) **Field of Classification Search**
USPC D7/391, 392, 392.1, 396.1, 396.2, 509, D7/510, 511, 514, 518; D9/435, 436, D9/440, 447, 451, 516, 530, 738
CPC B65D 47/122
See application file for complete search history.

(57) **CLAIM**

The ornamental design for a drinking cup lid, as shown and described.

DESCRIPTION

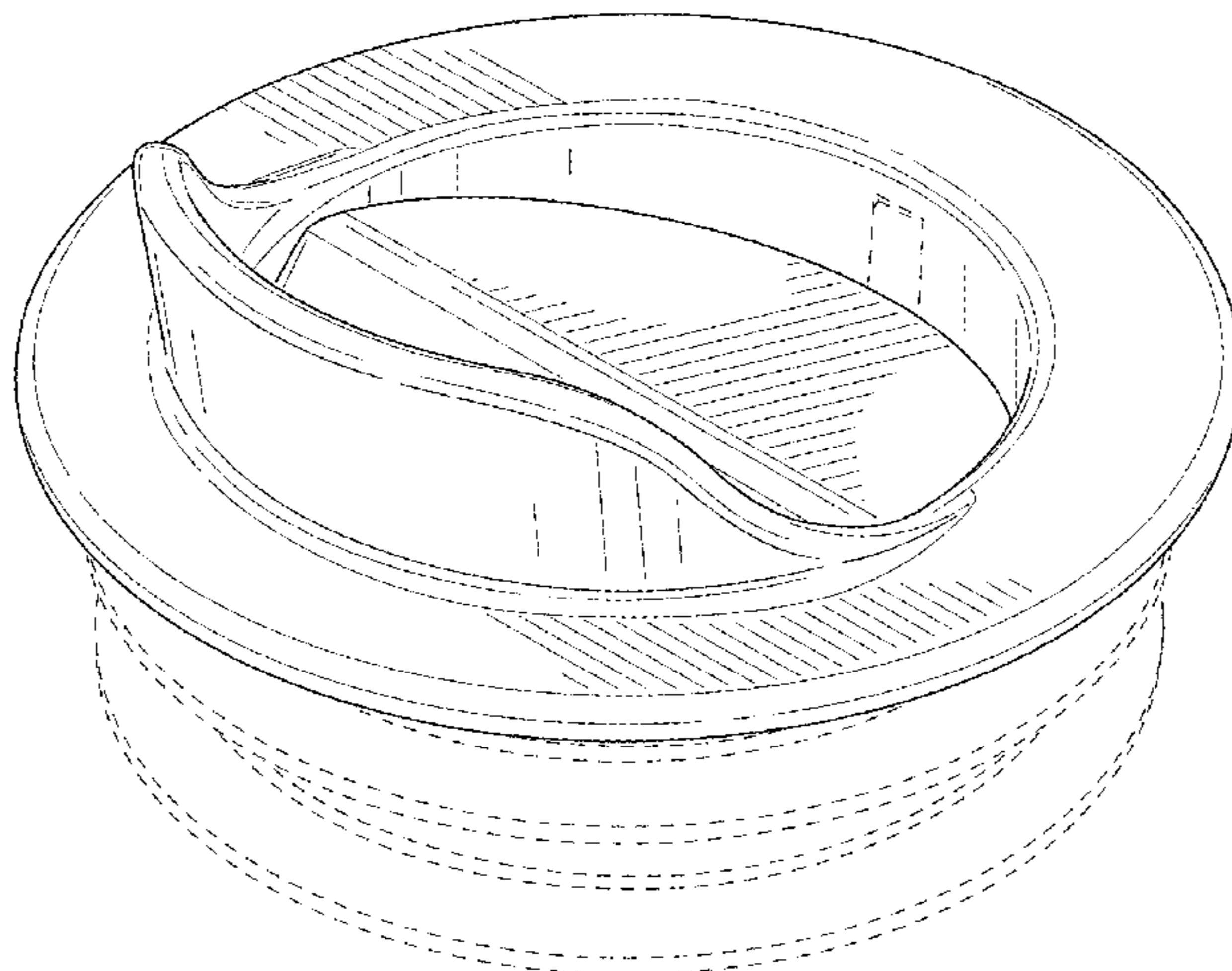
FIG. 1 is a front top-right perspective view of a drinking cup lid, showing my new design;
 FIG. 2 is a rear top-left perspective view thereof;
 FIG. 3 is a front elevation view thereof;
 FIG. 4 is a right side elevation view thereof;
 FIG. 5 is a rear elevation view thereof;
 FIG. 6 is a top view thereof; and,
 FIG. 7 is a left side elevation view thereof.
 The portions of the drawings depicted in broken lines are included for environmental purposes only, and form no part of the claimed invention.

(56) **References Cited**

U.S. PATENT DOCUMENTS

481,363 A	8/1892	Macauley
521,779 A	6/1894	Boley
724,256 A	3/1903	Brown
1,842,226 A	1/1932	Williams
2,352,667 A	7/1944	Tofanelli
2,663,451 A	12/1953	Yamall
2,674,472 A	6/1954	Meyer
2,808,276 A	10/1957	Williams
2,921,708 A	1/1960	Marcel
3,422,998 A	1/1969	Murray
3,434,636 A	3/1969	Kachman

1 Claim, 7 Drawing Sheets



(56)

References Cited

U.S. PATENT DOCUMENTS

3,730,399 A 5/1973 Dibrell et al.
 3,926,348 A 12/1975 Lutzker
 4,085,861 A 4/1978 Ruff
 4,270,666 A 6/1981 Beckman
 4,583,652 A 4/1986 Goldberg
 4,640,434 A 2/1987 Johnsen et al.
 4,682,707 A 7/1987 Wiles
 4,901,881 A 2/1990 McElroy
 4,928,848 A 5/1990 Ballway
 4,940,135 A 7/1990 Hall
 5,143,248 A 9/1992 Sawatsky
 5,232,111 A 8/1993 Burns
 5,395,001 A 3/1995 Moore
 5,454,479 A 10/1995 Kraus
 5,573,139 A 11/1996 Yeh
 5,749,491 A 5/1998 Wylder et al.
 5,868,714 A 2/1999 Danks
 5,944,208 A 8/1999 Gale
 6,032,695 A 3/2000 Wellen et al.
 6,036,541 A 3/2000 Koumatsu
 6,082,576 A 7/2000 Counts-Bradley et al.
 6,149,866 A 11/2000 Luotola et al.
 6,230,944 B1 5/2001 Castellano et al.
 6,276,551 B1 8/2001 Miller, II
 6,360,779 B1 3/2002 Wagner et al.
 6,374,726 B1 * 4/2002 Melton A47G 19/16
 220/712
 6,644,490 B2 11/2003 Clarke
 6,752,287 B1 6/2004 Lin
 6,758,364 B1 7/2004 Rohrig
 6,763,964 B1 7/2004 Hurlbut et al.
 6,886,707 B2 5/2005 Giraud
 6,994,326 B1 2/2006 Tyson
 7,114,632 B2 10/2006 Kraus
 7,134,564 B2 11/2006 Verbovszky
 D537,675 S * 3/2007 Khalifa D7/392.1
 7,185,775 B1 3/2007 Decal
 D545,118 S * 6/2007 Lieberman D7/392.1
 D547,605 S * 7/2007 Edelstein D7/392.1
 D562,065 S * 2/2008 Smaldone D7/396.2
 7,513,380 B2 4/2009 Canedo
 D592,906 S 5/2009 Allen et al.
 7,552,831 B2 6/2009 Catton
 7,658,306 B2 2/2010 Allen et al.
 D696,942 S * 1/2014 Kim, II D9/447
 D716,656 S * 11/2014 Carregui D9/440
 9,027,774 B2 5/2015 Palmer
 9,027,775 B2 5/2015 Brandt
 9,387,961 B2 * 7/2016 Mithal B65D 43/0212
 D775,492 S * 1/2017 Elias D7/392.1
 2002/0046983 A1 4/2002 Shin et al.

2004/0262309 A1 12/2004 Edwards
 2005/0056653 A1 3/2005 Miller
 2006/0151426 A1 7/2006 Peters
 2006/0169693 A1 8/2006 Yeung
 2007/0012698 A1 1/2007 Durdon et al.
 2007/0090081 A1 4/2007 Briscoe et al.
 2007/0145058 A1 6/2007 Connors, Jr. et al.
 2007/0170184 A1 7/2007 Canedo
 2007/0228054 A1 10/2007 Woodhouse
 2008/0272085 A1 11/2008 Laporta
 2012/0312816 A1 12/2012 Barreto et al.
 2013/0020338 A1 * 1/2013 French B65D 43/0208
 220/713
 2015/0144646 A1 * 5/2015 Savenok B65D 1/265
 220/713
 2015/0201777 A1 * 7/2015 Kim A47G 19/2272
 220/713
 2015/0230639 A1 * 8/2015 Palmer A47G 19/2272
 222/545

FOREIGN PATENT DOCUMENTS

GB 2171088 A 2/1985
 JP 2003170955 A 6/2003

OTHER PUBLICATIONS

“Shiv Verma Photography: Ecotop”. Found online Mar. 13, 2017 at shivverma.com. Page dated Jun. 21, 2012. Retrieved from <http://shivverma.com/ecotop/>.*

“Tervis Travel Lid”. Found online Mar. 9, 2017 at amazon.com. Page dated May 1, 2007. Retrieved from https://www.amazon.com/...TF8&pd_rd_i=B001GA5CHY&pd_rd_r=R7WYKXRM81PYFM88FDKM&pd_rd_w=c9i35&pd_rd_wg=PuwEb&refRID=R7WYKXRM81PYFM88FDKM&th=1.*

“LiquiSeal Travel Mug by OXO”. Found online Mar. 9, 2017 at amazon.com. Page dated Oct. 2, 2001. Retrieved from https://www.amazon.com/...iSeal-Travel-Mug-Silver-OXO/dp/B000QJE43E/ref=sr_1_30?ie=UTF8&qid=1489079705&sr=8-30&keywords=travel+mug&refinements=p_72%3A2661621011.*

“I Am Not a Paper Cup,” by DCI Product, Providence, RI. <http://www.d cigift.com/product.cfm?productID=763&catID=14>.

“I Am Not a Plastic Lid” replacement lid for “I Am Not a Paper Cup,” http://www.amazon.com/NOT-PLASTIC-replacement-lids-PAPER/dp/B001NZQ0S/ref=pd_bbs_sr_2?ie=UTF8&s=home-garden&qid=1236953239&s=8-2.

“We Are Happy to Serve You” Ceramic Mug by Treehugger. <http://www.wearehappytoserveyou.com/>.

* cited by examiner

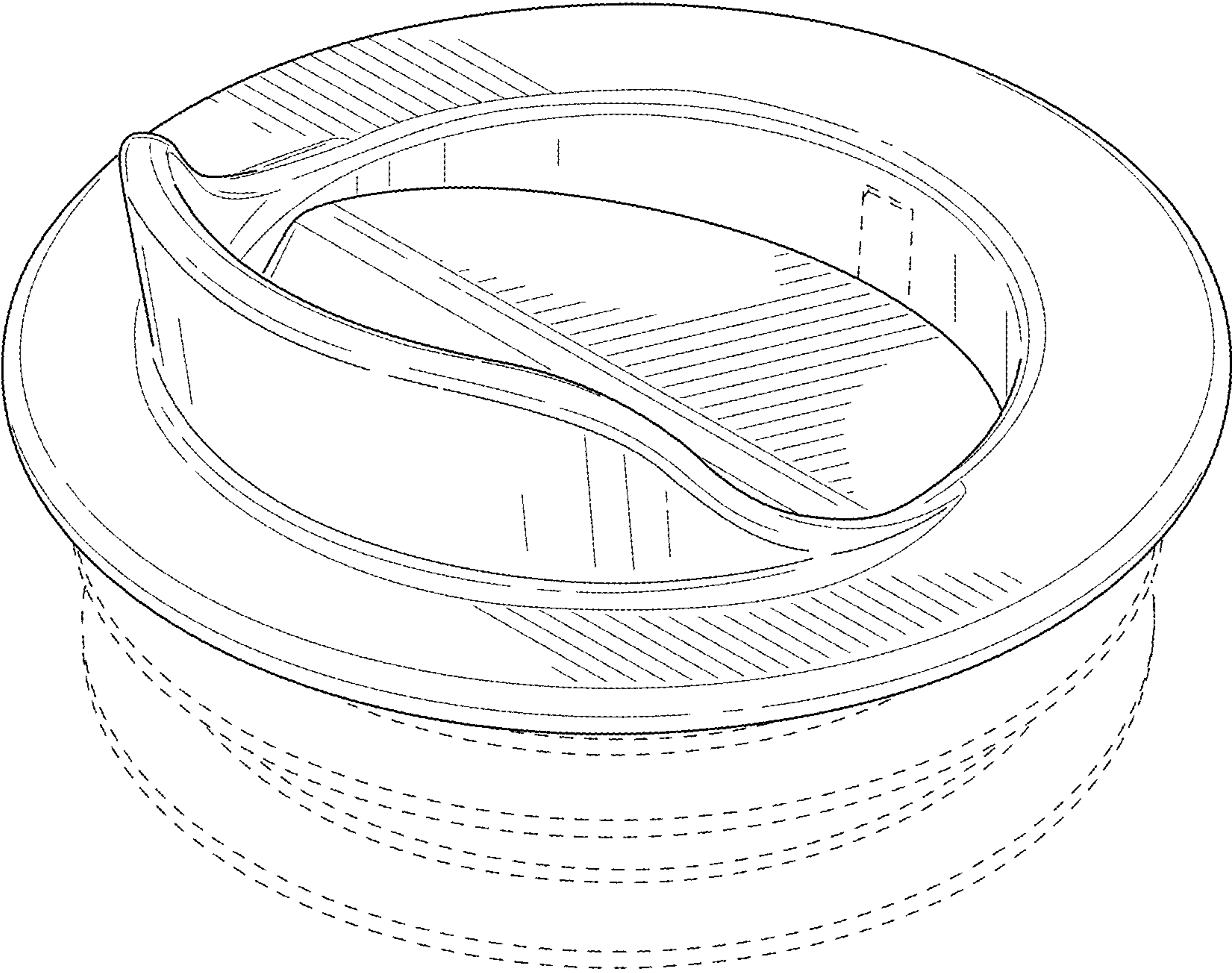


FIG. 1

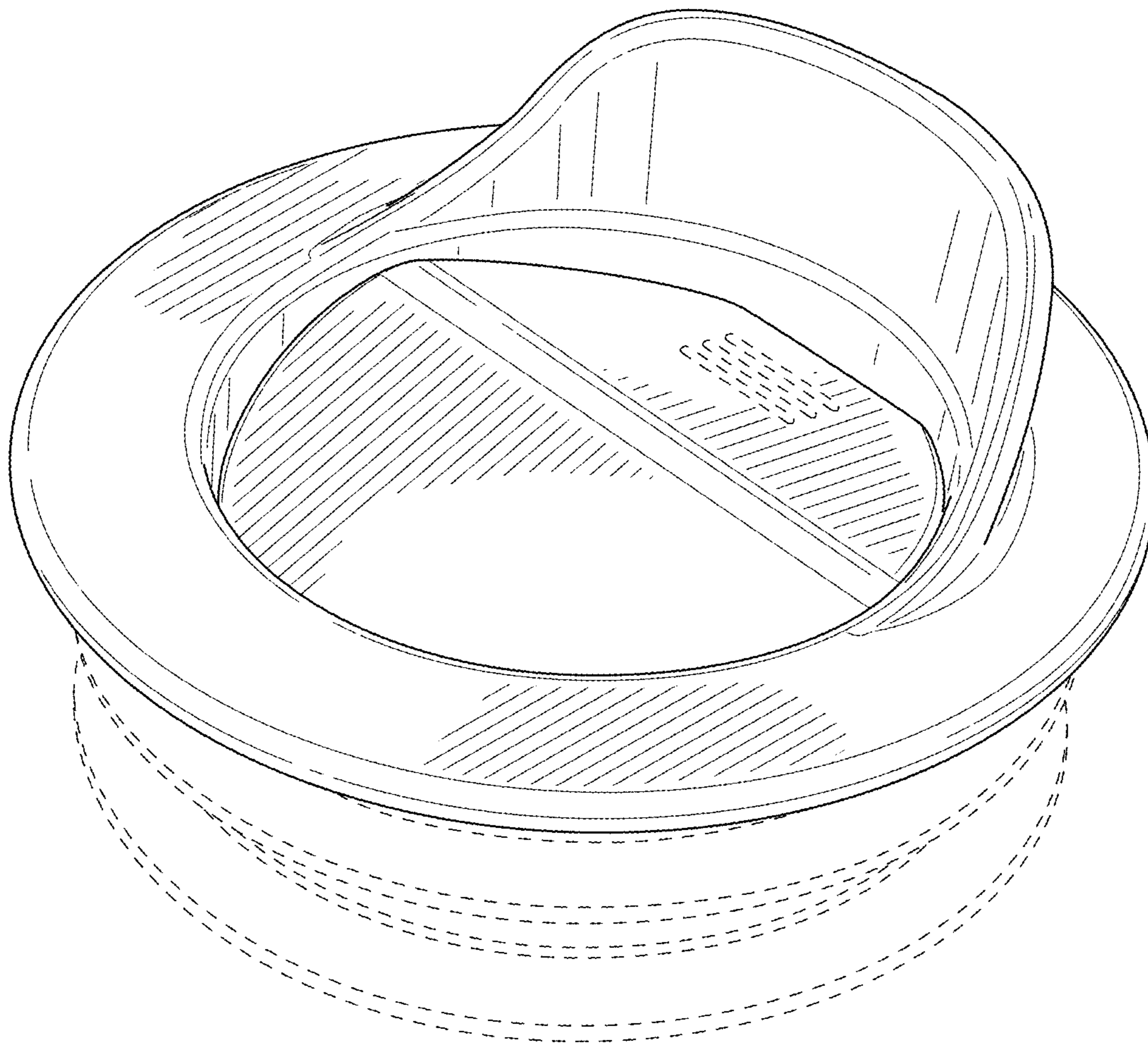


FIG. 2

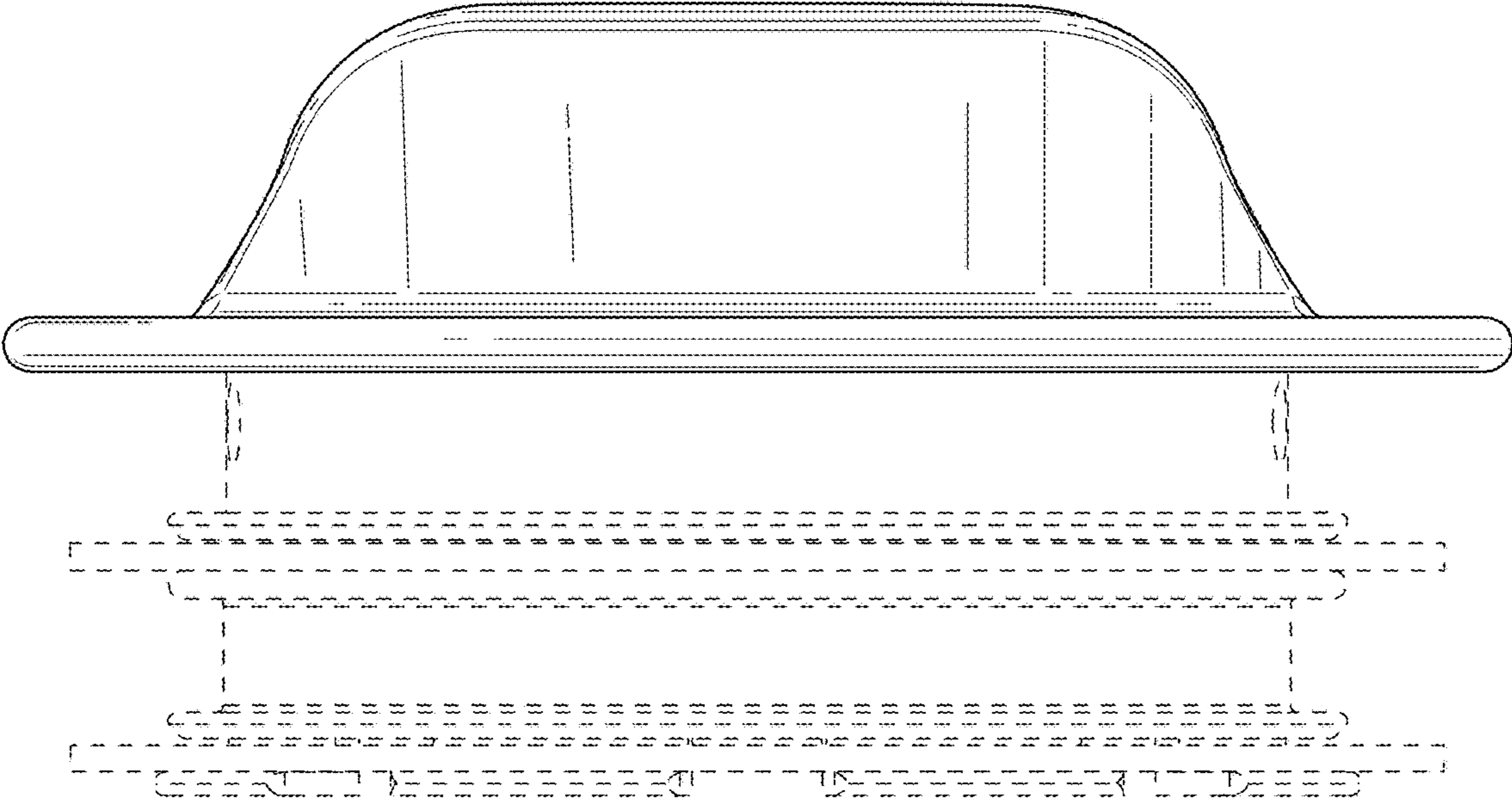


FIG. 3

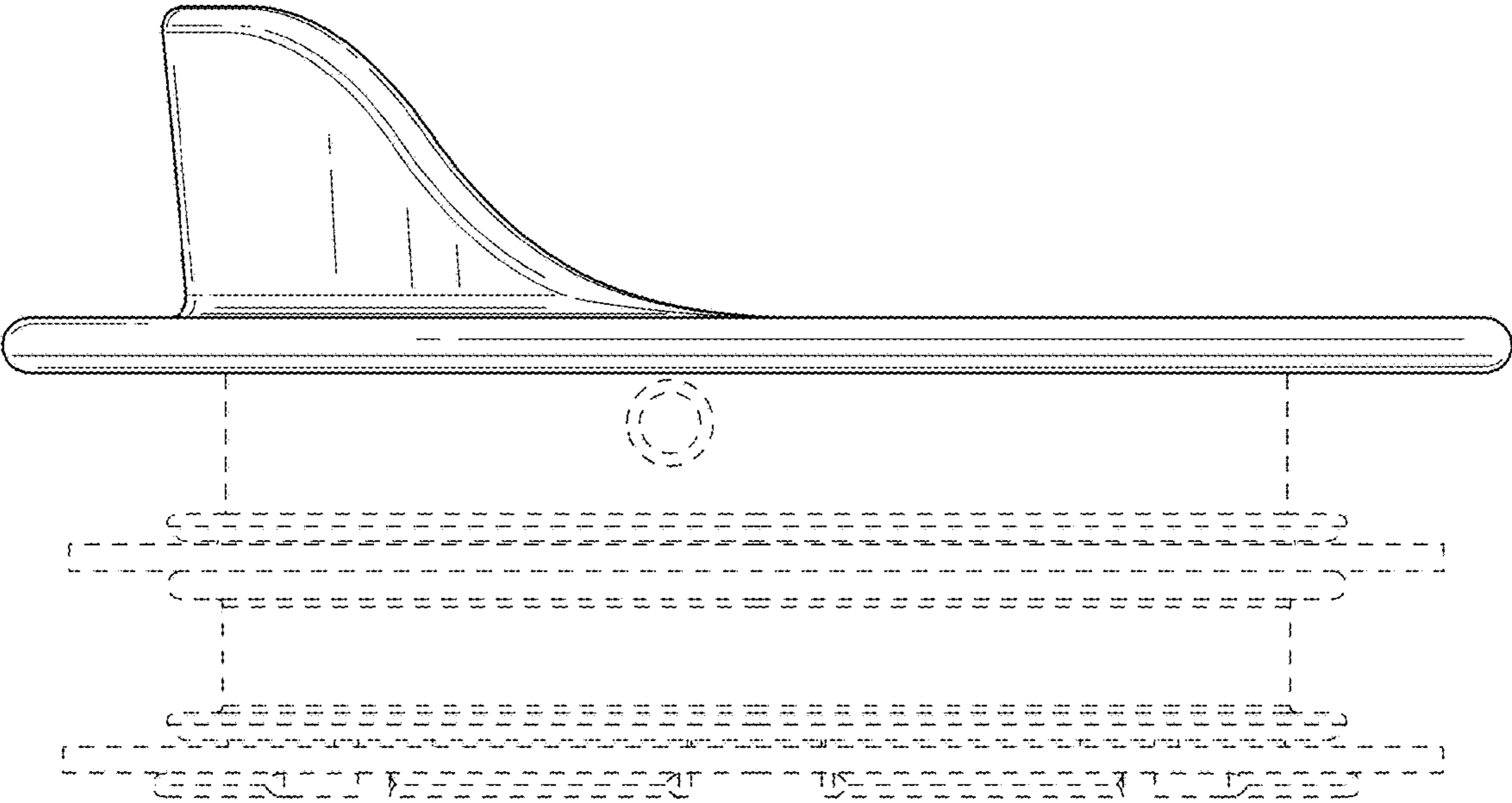


FIG. 4

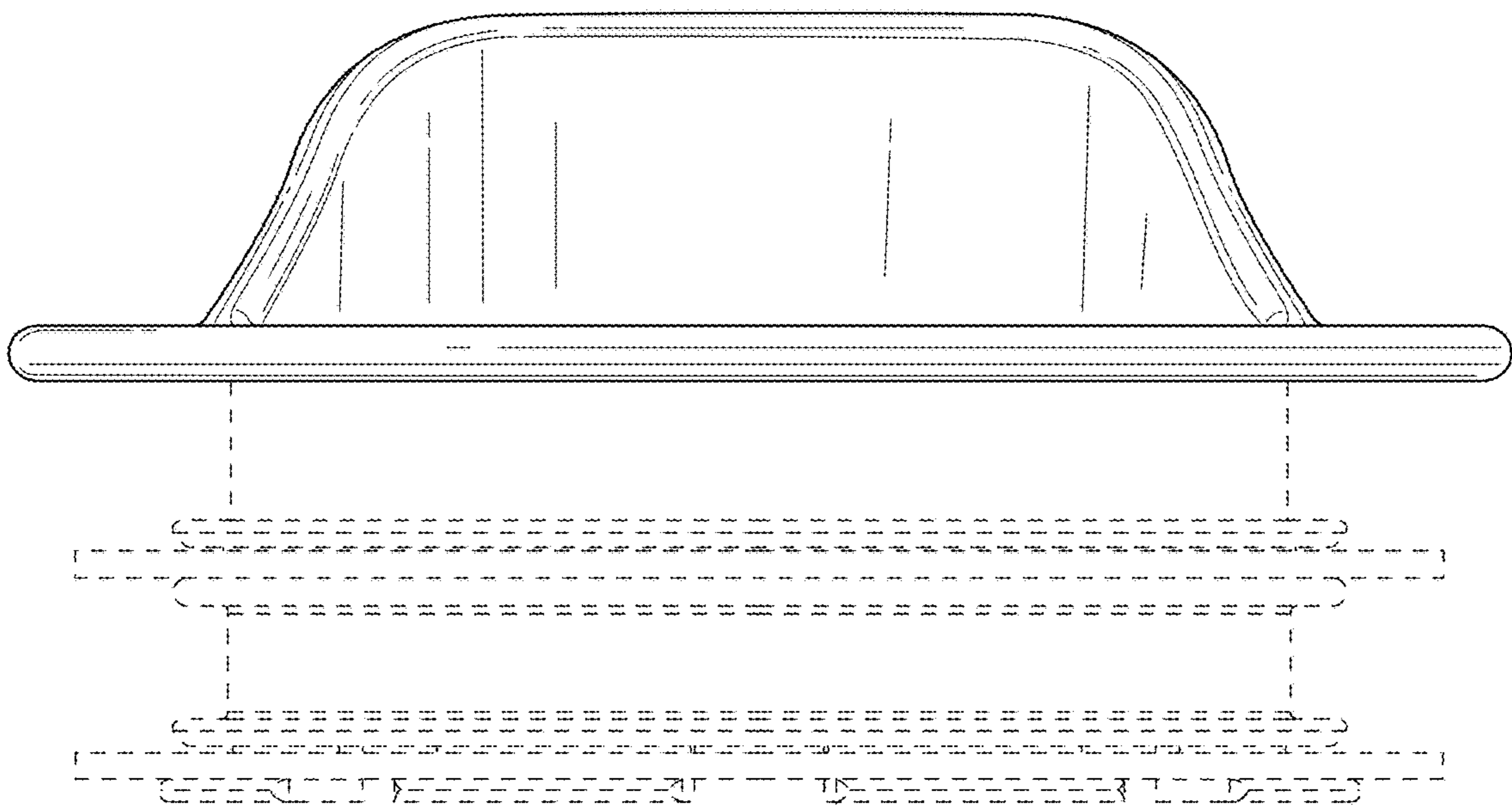


FIG. 5



FIG. 6

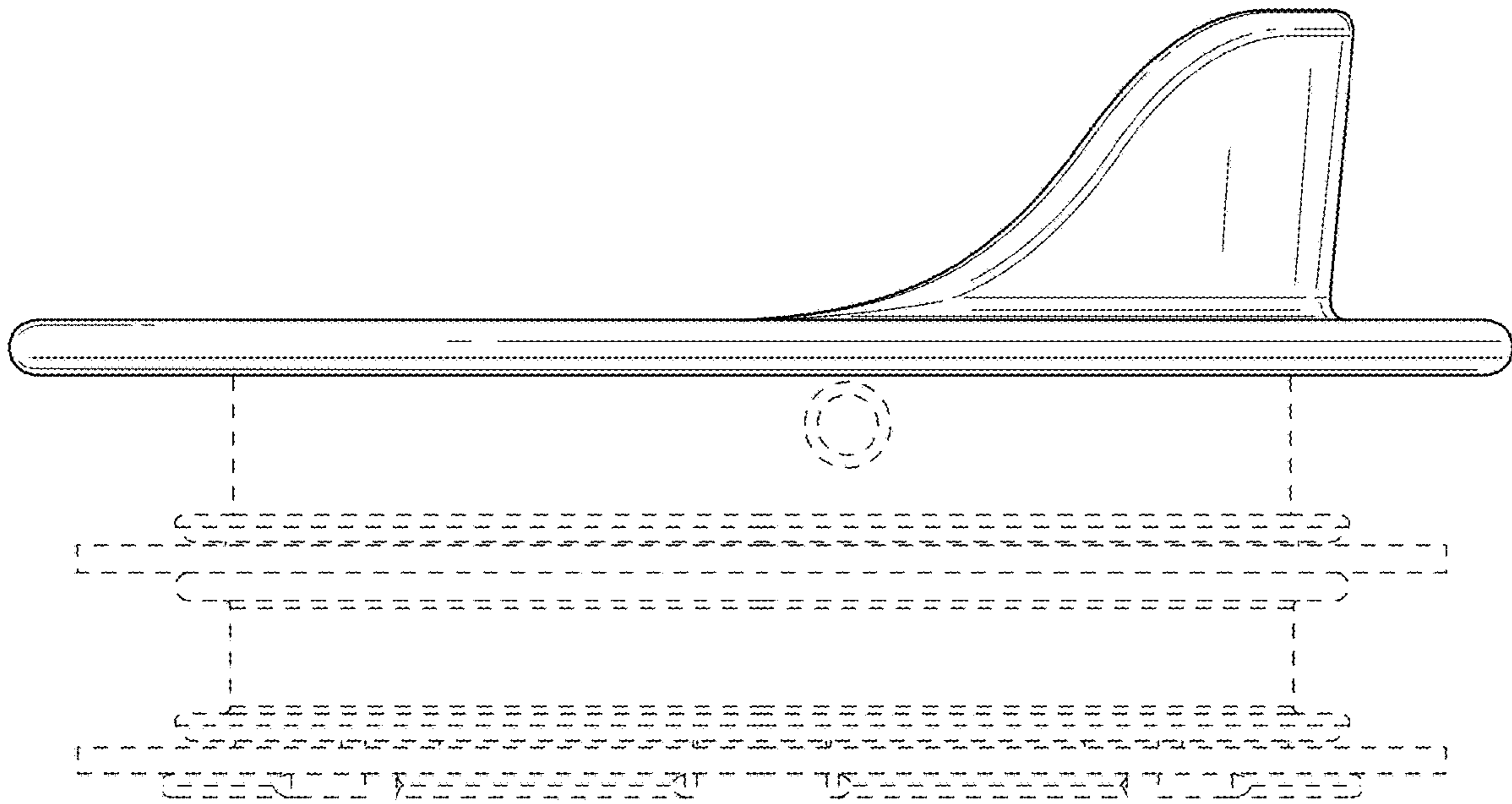


FIG. 7