



US00D806466S

(12) **United States Design Patent**  
**Deacon**

(10) **Patent No.:** **US D806,466 S**

(45) **Date of Patent:** **\*\* Jan. 2, 2018**

(54) **WATER PITCHER LID OR PORTION THEREOF WITH ATTACHED FLUME**

(71) Applicant: **Brita LP**, Oakland, CA (US)

(72) Inventor: **David Deacon**, Causeway (HK)

(73) Assignee: **Brita LP**, Oakland, CA (US)

(\*\*) Term: **15 Years**

(21) Appl. No.: **29/554,644**

(22) Filed: **Feb. 12, 2016**

(51) **LOC (11) Cl.** ..... **07-99**

(52) **U.S. Cl.**

USPC ..... **D7/392; D7/392.1; D7/400; D7/397**

(58) **Field of Classification Search**

USPC ..... **D7/300.1, 510, 511, 598, 599, 600, 608, D7/515, 523, 312, 306, 300, 316-319, D7/400, 398, 397, 399, 401, 392.1, 392; 169/71; D9/680; D22/112; 102/486; D29/125, 126; 220/713, 715, 739; D23/209; D10/46.2; 210/264, 321.6; 62/457.3**

CPC ..... **A47G 19/22; A47G 21/18; A47G 19/00; A47G 19/12; A47G 19/127; A62C 13/003; A47J 43/044; F25D 2303/0831; B01D 29/05; B01D 29/085; B01D 2201/4084; C02F 1/003**

See application file for complete search history.

(56) **References Cited**

**U.S. PATENT DOCUMENTS**

- D340,382 S \* 10/1993 Bannigan ..... D7/400
- 5,503,740 A \* 4/1996 Callaghan ..... B01D 29/05  
210/232
- 5,609,194 A \* 3/1997 Link ..... A47G 19/12  
141/331
- D386,944 S \* 12/1997 Demore ..... D23/209

- 5,800,707 A \* 9/1998 Mehnert ..... C02F 1/003  
210/232
- D415,922 S \* 11/1999 Kawasaki ..... D7/317
- D437,027 S \* 1/2001 Flagler ..... D23/209
- D459,941 S \* 7/2002 Miller ..... D23/207
- D520,597 S \* 5/2006 Witte ..... D23/209
- D558,516 S 1/2008 Bulala et al.
- D584,913 S \* 1/2009 Green ..... D7/317
- D585,231 S \* 1/2009 Bulala ..... D7/317
- D586,605 S \* 2/2009 Ma ..... D7/317
- D600,498 S \* 9/2009 Ma ..... D7/397
- D604,088 S \* 11/2009 Bursztein ..... D7/317
- D618,032 S 6/2010 Kulikov et al.
- D626,777 S \* 11/2010 Bell ..... D7/317
- D626,779 S \* 11/2010 Bell ..... D7/317
- D640,769 S 6/2011 Sheppard et al.

(Continued)

*Primary Examiner* — Marianne Pandozzi

(74) *Attorney, Agent, or Firm* — Thomas C. Feix; Stacy H. Combs

(57) **CLAIM**

The ornamental design for a water pitcher lid or portion thereof with an attached flume, as shown and described.

**DESCRIPTION**

FIG. 1 is an exploded perspective view of a water pitcher lid or portion thereof with an attached flume showing our new design;

FIG. 2 is a front perspective view of the lid or portion thereof;

FIG. 3 is a top plan view of FIG. 2;

FIG. 4 is bottom plan view of FIG. 2;

FIG. 5 is a left side elevational view of FIG. 2;

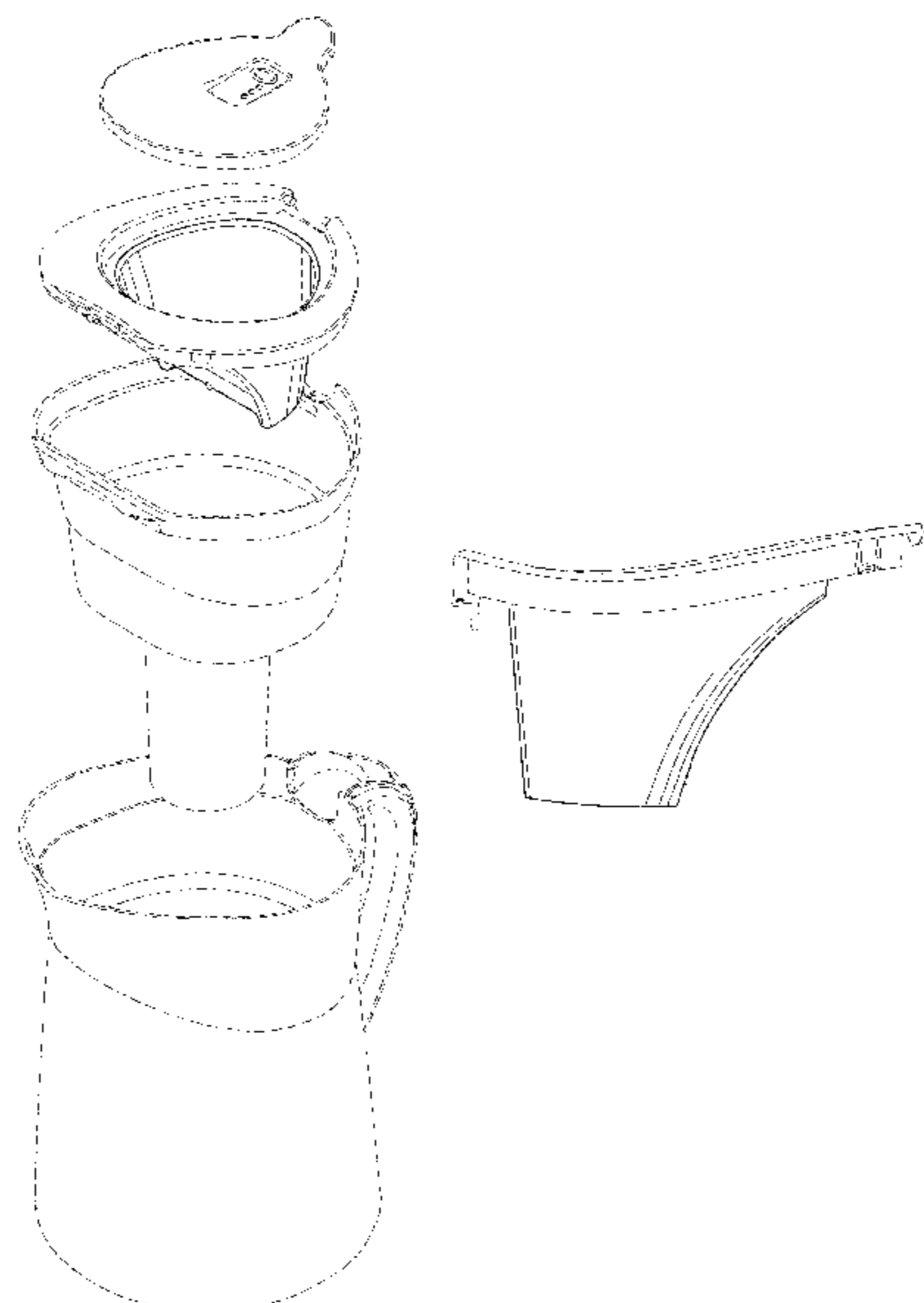
FIG. 6 is a right side elevational view of FIG. 2;

FIG. 7 is back view of FIG. 2; and,

FIG. 8 is a front view of FIG. 2.

The broken lines in the drawing depict environmental subject matter only and form no part of the claimed design.

**1 Claim, 3 Drawing Sheets**



(56)

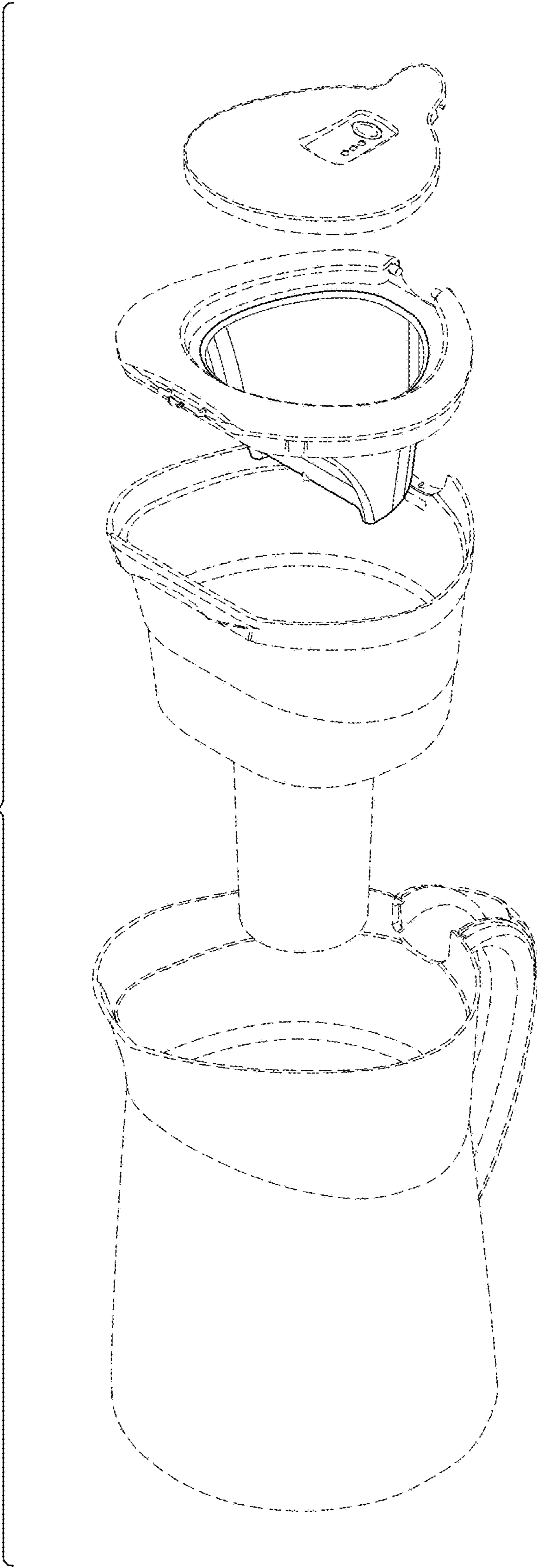
**References Cited**

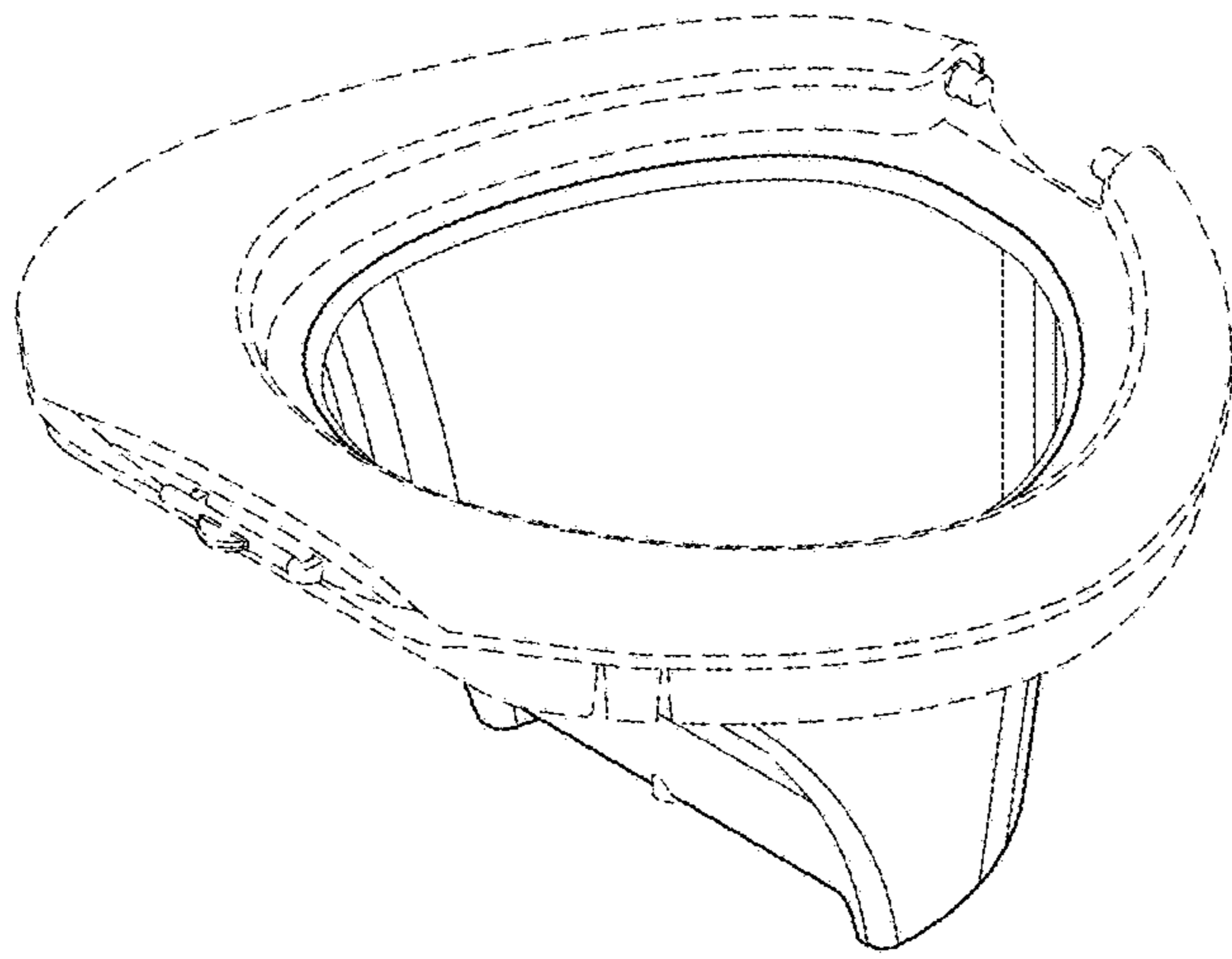
U.S. PATENT DOCUMENTS

D640,770	S	6/2011	Sheppard et al.	
D675,861	S *	2/2013	Gray .....	D7/317
D680,789	S *	4/2013	Bell .....	D7/317
D680,790	S *	4/2013	Bell .....	D7/317
D680,791	S *	4/2013	Bell .....	D7/317
D688,095	S *	8/2013	DeMiglio .....	D7/400
D707,490	S *	6/2014	Hertaus .....	D7/397
9,090,483	B2 *	7/2015	Rajan .....	C02F 1/003
D753,954	S *	4/2016	Schreiber .....	D7/400
D772,644	S *	11/2016	Kestenbaum .....	D7/399
D793,805	S *	8/2017	D'Amico .....	D7/400

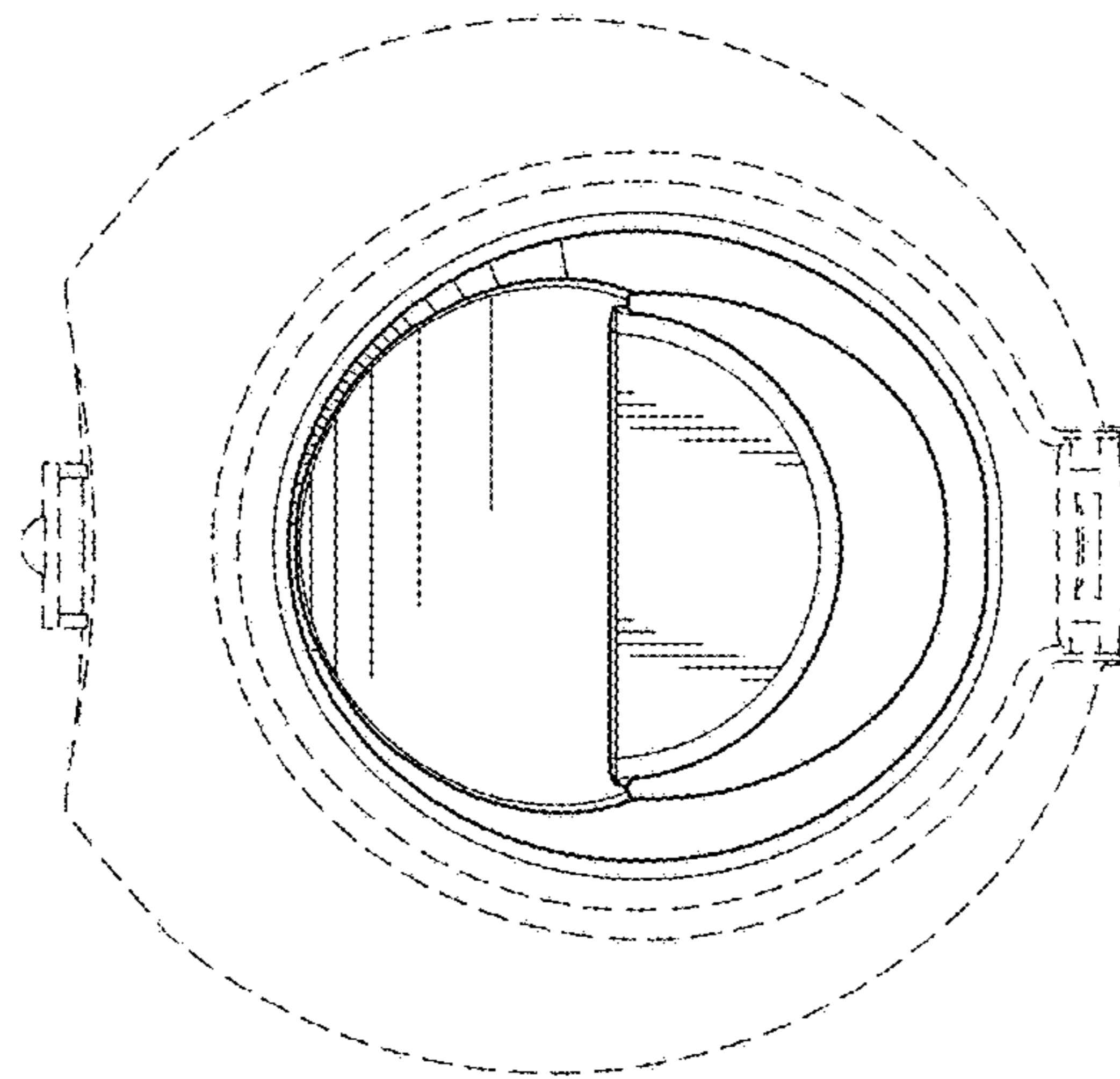
\* cited by examiner

*FIG. 1*

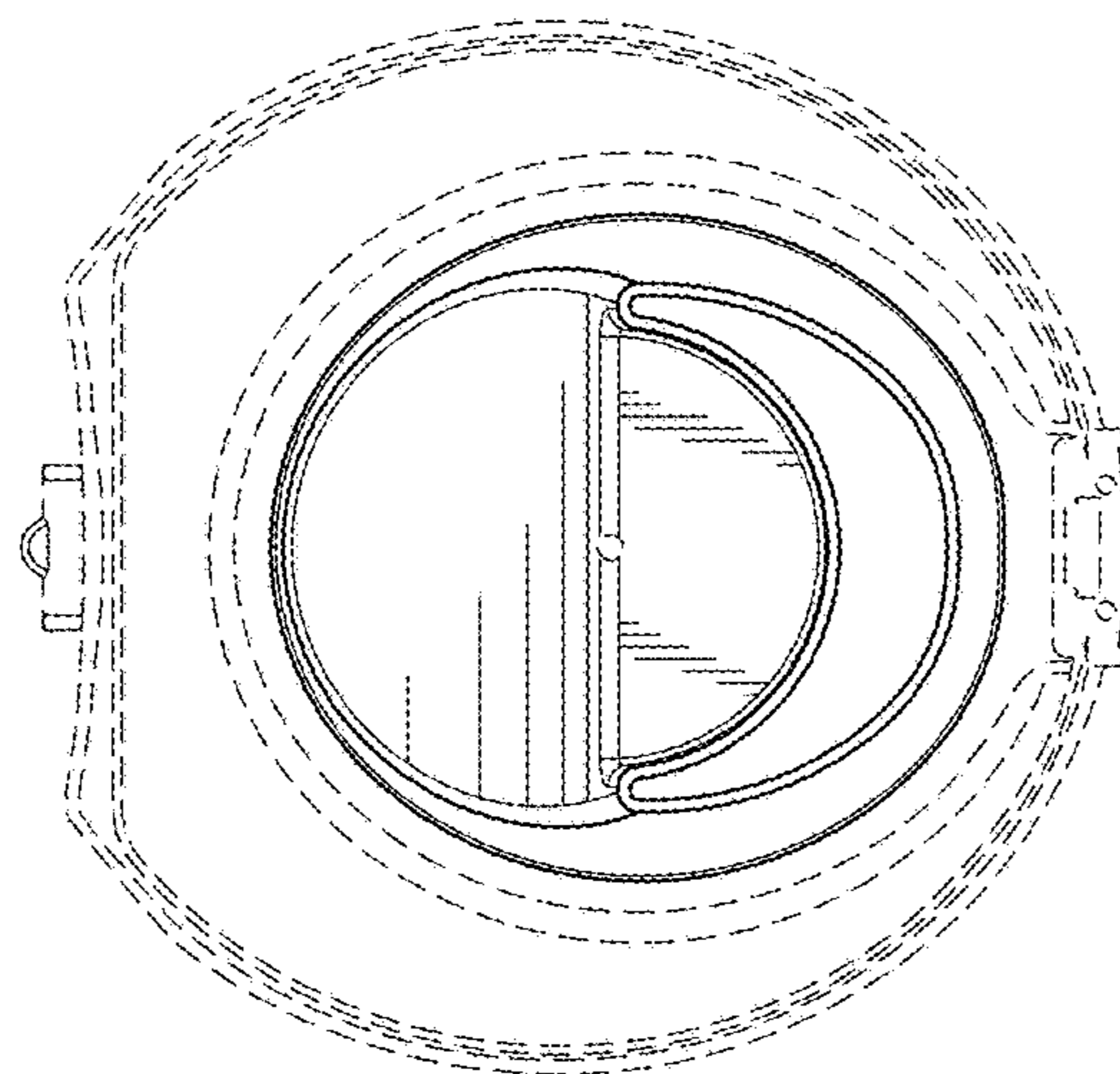




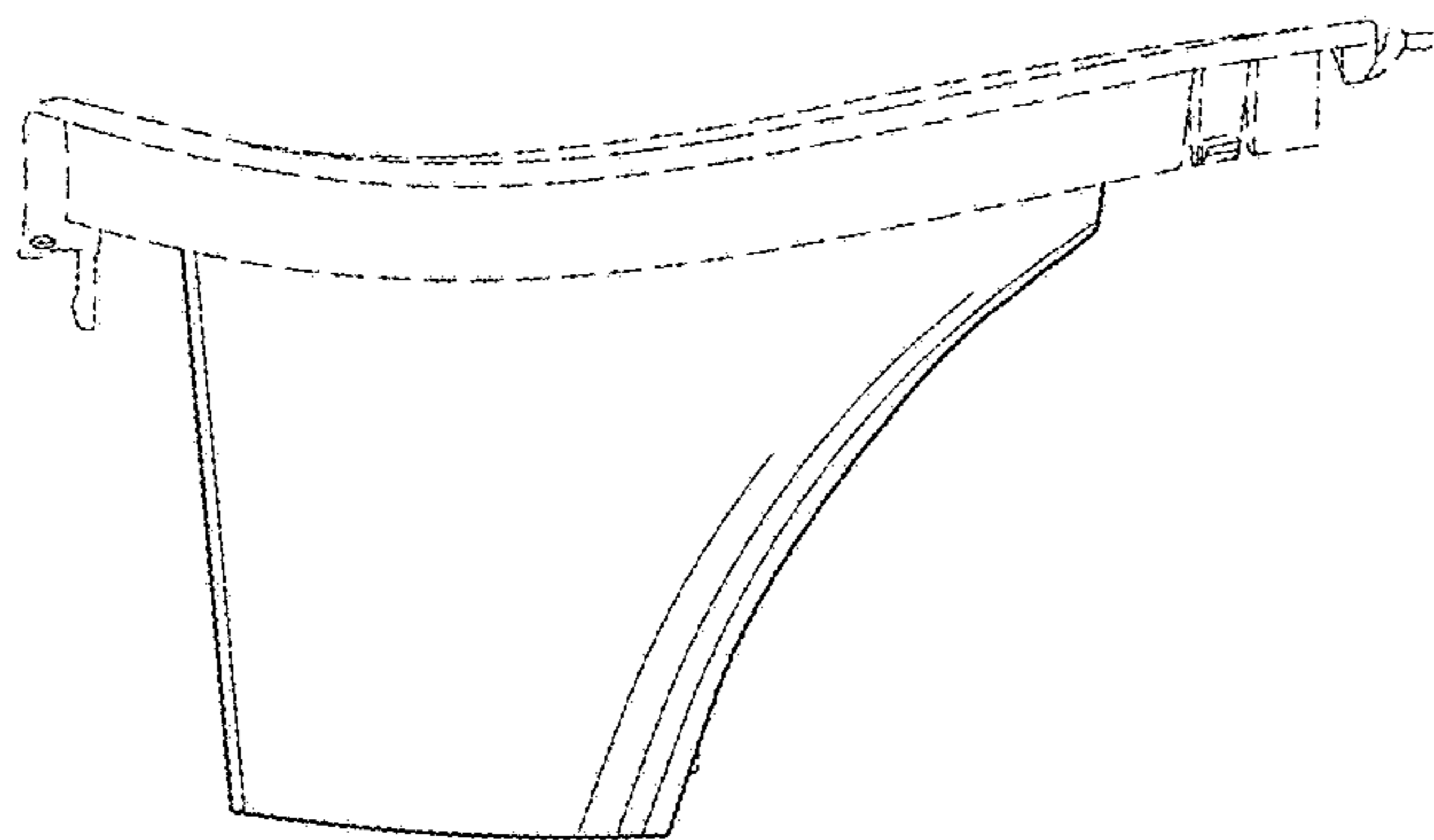
*FIG. 2*



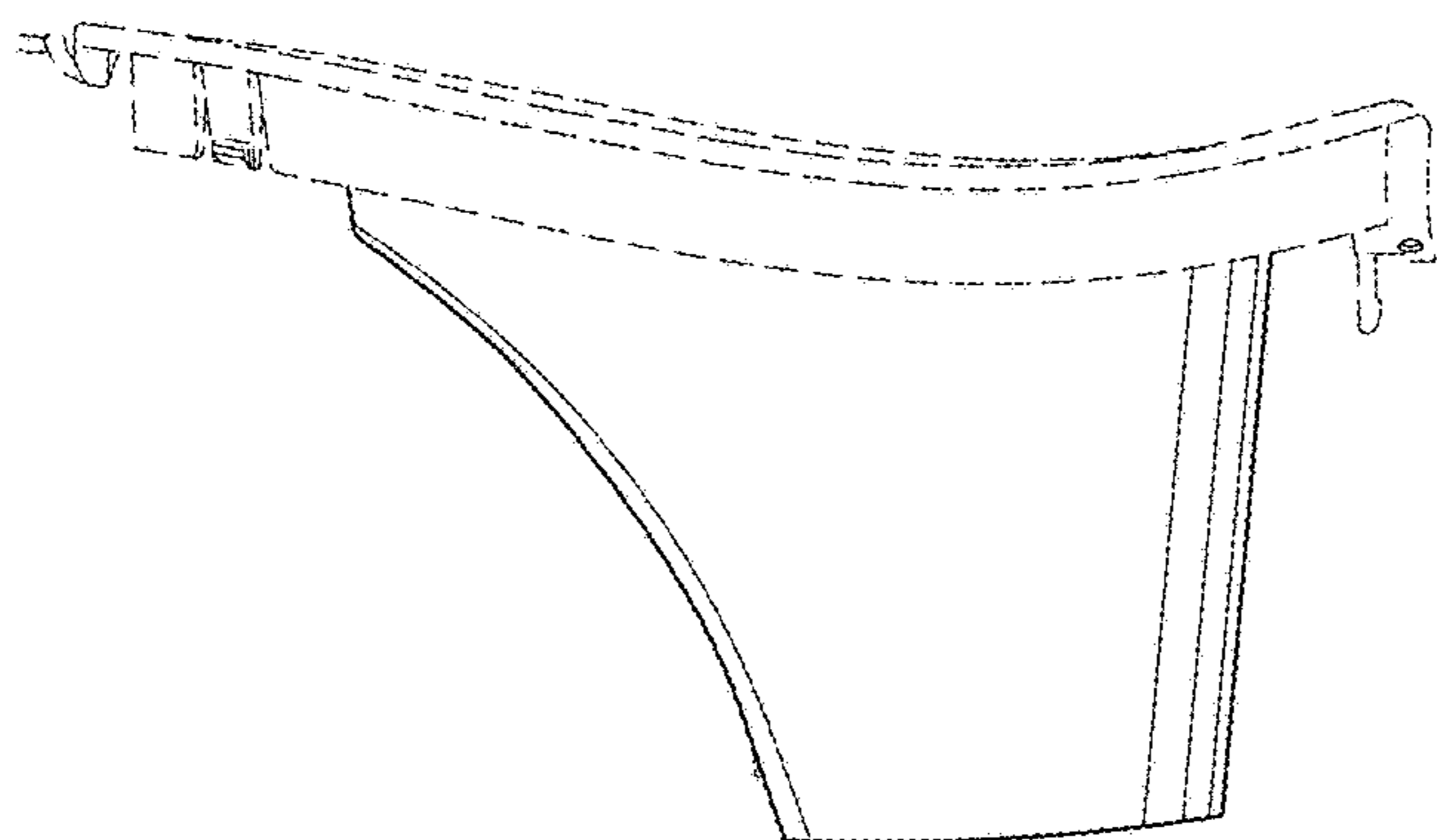
*FIG. 3*



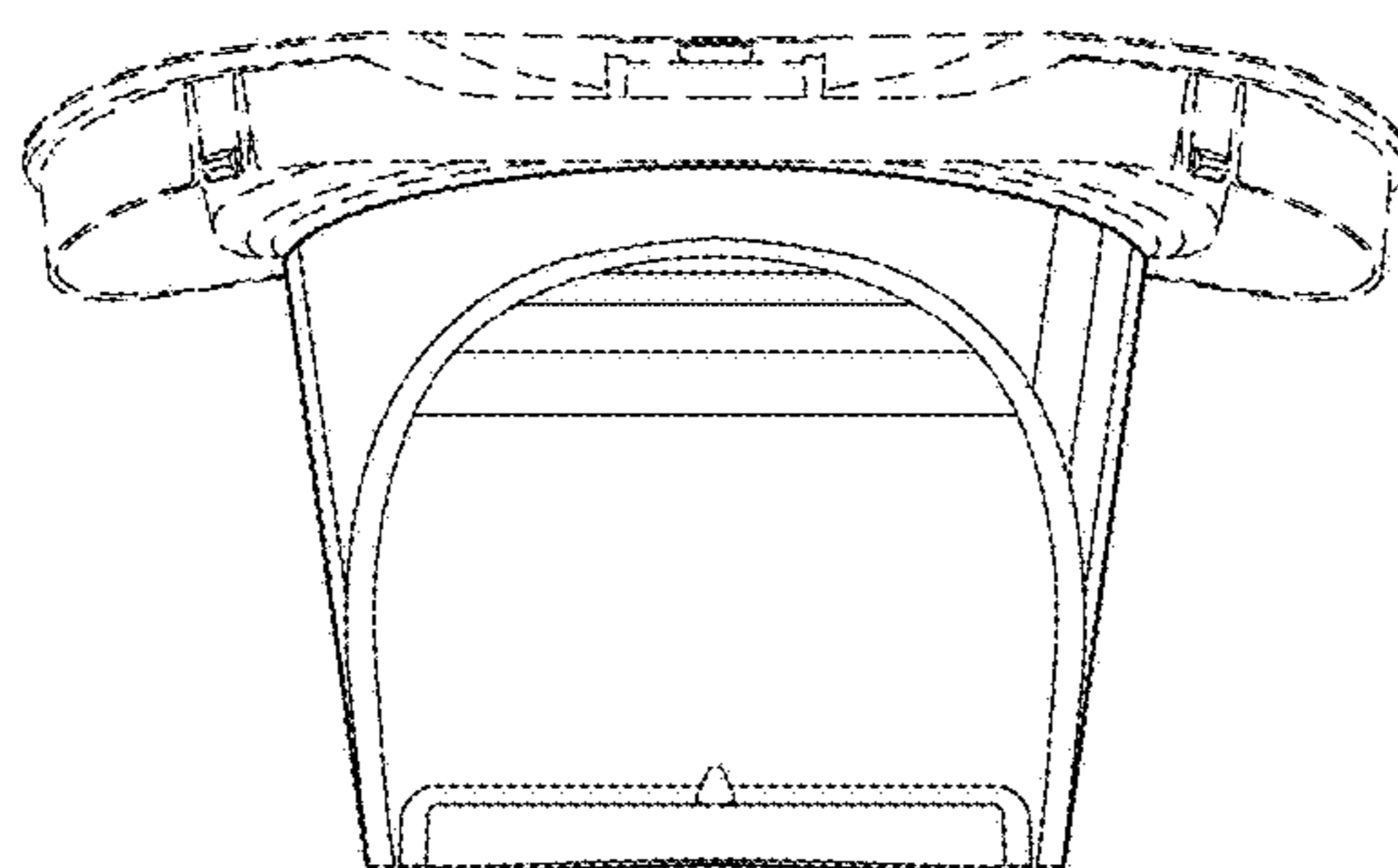
*FIG. 4*



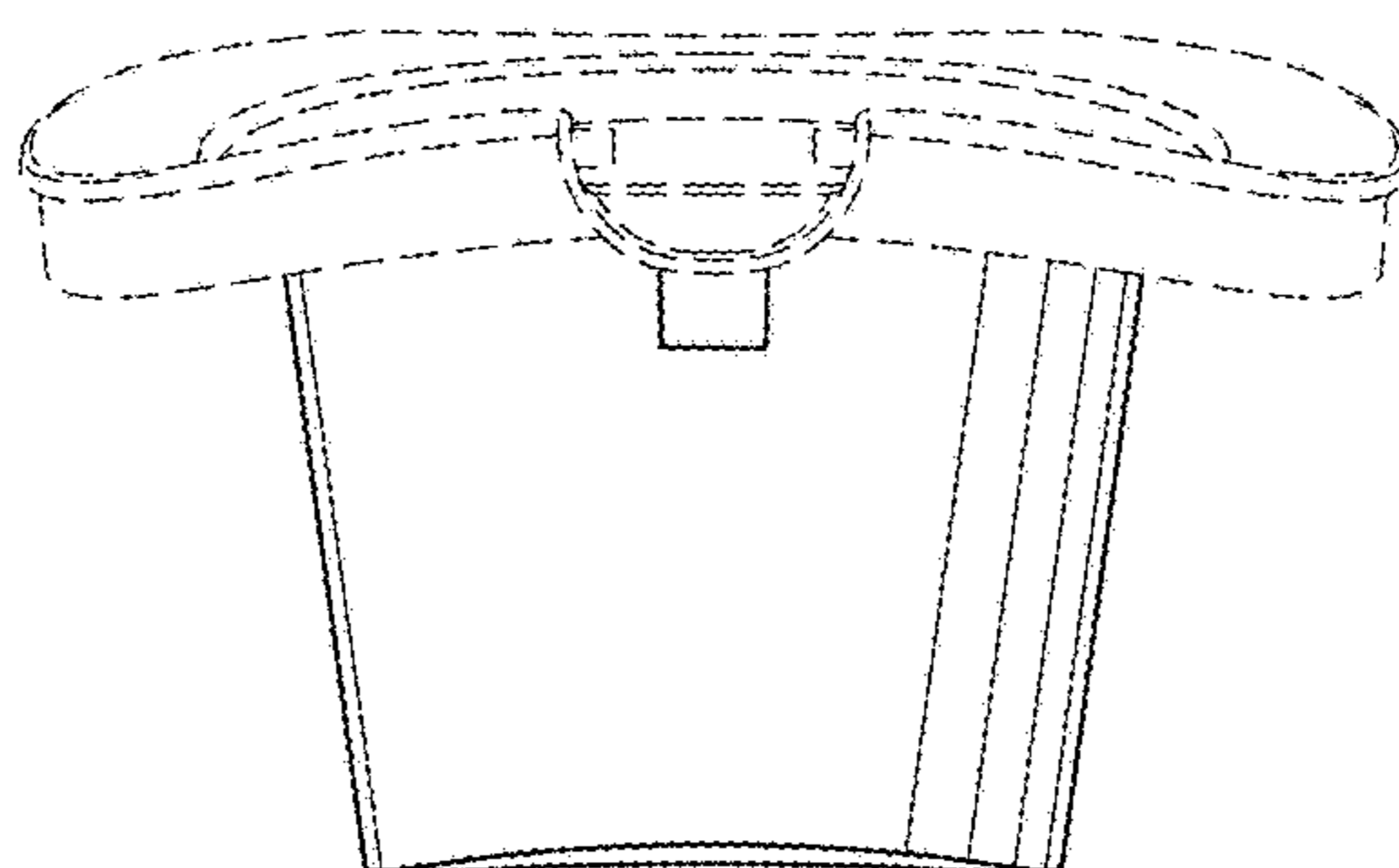
*FIG. 5*



*FIG. 6*



*FIG. 7*



*FIG. 8*