



US00D806465S

(12) **United States Design Patent**  
**Boroski**

(10) **Patent No.:** **US D806,465 S**  
(45) **Date of Patent:** **\*\* Jan. 2, 2018**

- (54) **LID**
- (71) Applicant: **THERMOS L.L.C.**, Schaumburg, IL  
(US)
- (72) Inventor: **Dwayne Boroski**, Lake in the Hills, IL  
(US)
- (73) Assignee: **THERMOS L.L.C.**, Schaumburg, IL  
(US)
- (\*\*) Term: **15 Years**
- (21) Appl. No.: **29/556,458**
- (22) Filed: **Mar. 1, 2016**
- (51) **LOC (11) Cl.** ..... **13-01**
- (52) **U.S. Cl.**  
USPC ..... **D7/391**
- (58) **Field of Classification Search**  
USPC ..... D3/272, 273, 274–276, 279, 282;  
D7/300, 306, 325, 387, 392, 392.1, 391,  
D7/393, 396.2, 396.3, 396.4, 401.1, 507,  
D7/509–511, 538, 558, 605, 608, 900;  
D9/434–447, 449, 504, 780, 414,  
D9/424–432, 451–452  
CPC ..... A47J 41/00; A47J 36/06; A47G 21/18;  
A47G 19/2266; B65D 43/04; B65D  
39/08; B65D 43/022; B65D 43/0212;  
B65D 47/0895; B01D 29/21  
See application file for complete search history.

8,926,840 B2 \* 1/2015 Hull ..... A47G 19/2266  
210/282  
D727,685 S \* 4/2015 He ..... D7/510  
D760,540 S \* 7/2016 Marina ..... D7/510  
D762,117 S \* 7/2016 Joseph ..... D7/387

(Continued)

*Primary Examiner* — Susan Bennett Hattan  
*Assistant Examiner* — Camelia H Styles  
(74) *Attorney, Agent, or Firm* — Polsinelli PC

(57) **CLAIM**

The ornamental design for a lid, as shown and described.

**DESCRIPTION**

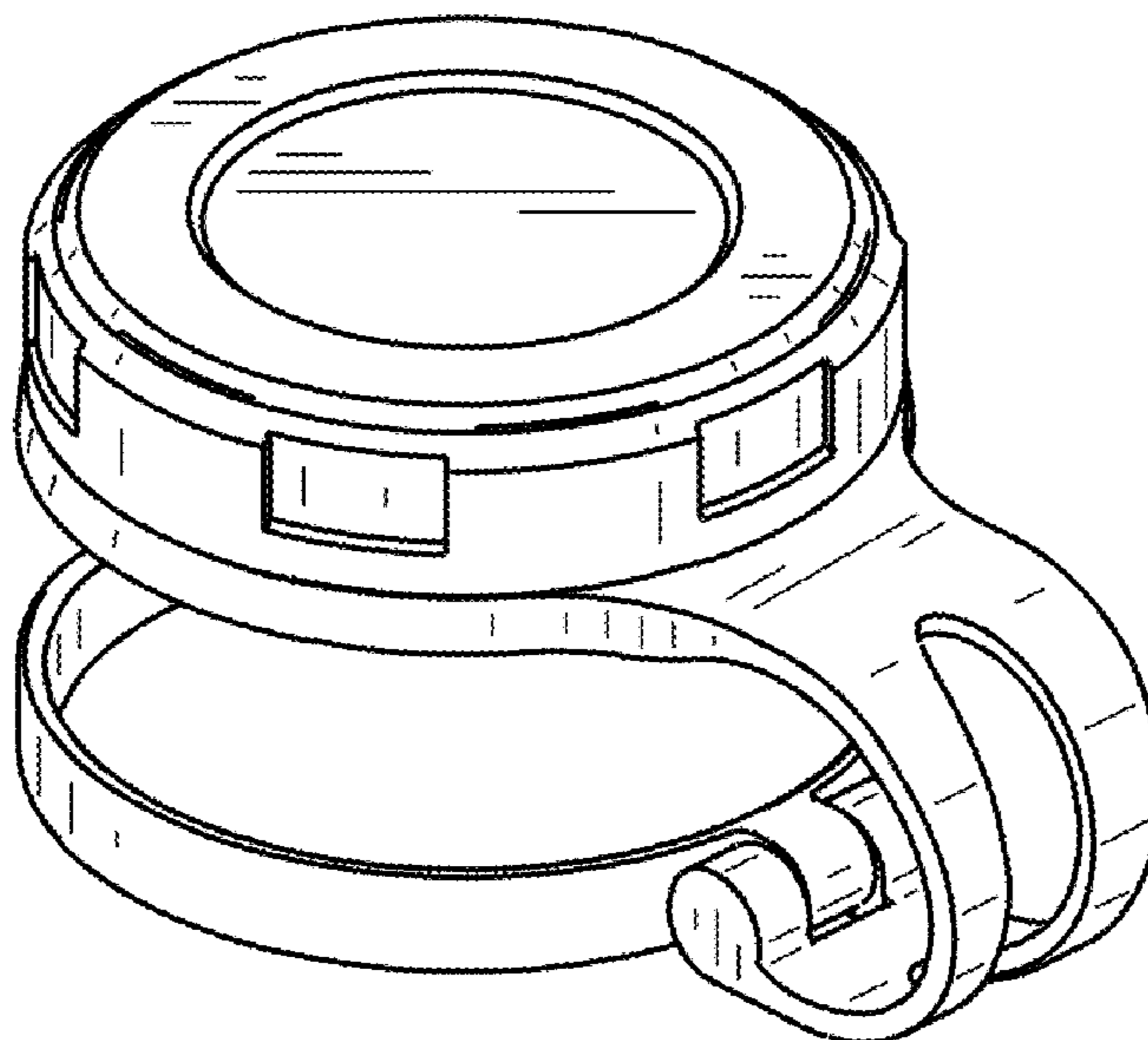
FIG. 1 is a perspective view of a first embodiment of the lid;  
FIG. 2 is a front view of the first embodiment of the lid;  
FIG. 3 is a rear view of the first embodiment of the lid;  
FIG. 4 is a right side view of the first embodiment of the lid;  
FIG. 5 is a left side view of the first embodiment of the lid;  
FIG. 6 is a top view of the first embodiment of the lid;  
FIG. 7 is a bottom view of the first embodiment of the lid;  
FIG. 8 is a perspective view of a second embodiment of the lid;  
FIG. 9 is a front view of the second embodiment of the lid;  
FIG. 10 is a rear view of the second embodiment of the lid;  
FIG. 11 is a right side view of the second embodiment of the lid;  
FIG. 12 is a left side view of the second embodiment of the lid;  
FIG. 13 is a top view of the second embodiment of the lid;  
and,  
FIG. 14 is a bottom view of the second embodiment of the lid.  
The broken lines showing in the figures are included for the purpose of illustrating portions of the lid that form no part of the claimed design.

(56) **References Cited**

U.S. PATENT DOCUMENTS

- D529,338 S \* 10/2006 Poulson ..... D7/510
- D549,048 S \* 8/2007 Duke ..... D7/510
- D660,082 S \* 5/2012 Wahl ..... D7/510
- D672,648 S \* 12/2012 Goto ..... D9/443

**1 Claim, 4 Drawing Sheets**



(56)

**References Cited**

U.S. PATENT DOCUMENTS

D767,390 S \* 9/2016 Miksovsky ..... D7/392.1  
D774,826 S \* 12/2016 Boroski ..... D7/510  
D786,619 S \* 5/2017 Joseph ..... D7/510  
9,656,191 B2 \* 5/2017 Hull ..... B01D 29/21  
D790,912 S \* 7/2017 Joseph ..... D7/391  
2007/0175931 A1 \* 8/2007 Leoncavallo ..... B65D 47/0895  
222/556  
2009/0236341 A1 \* 9/2009 McKinney ..... A47G 19/2266  
220/375

\* cited by examiner

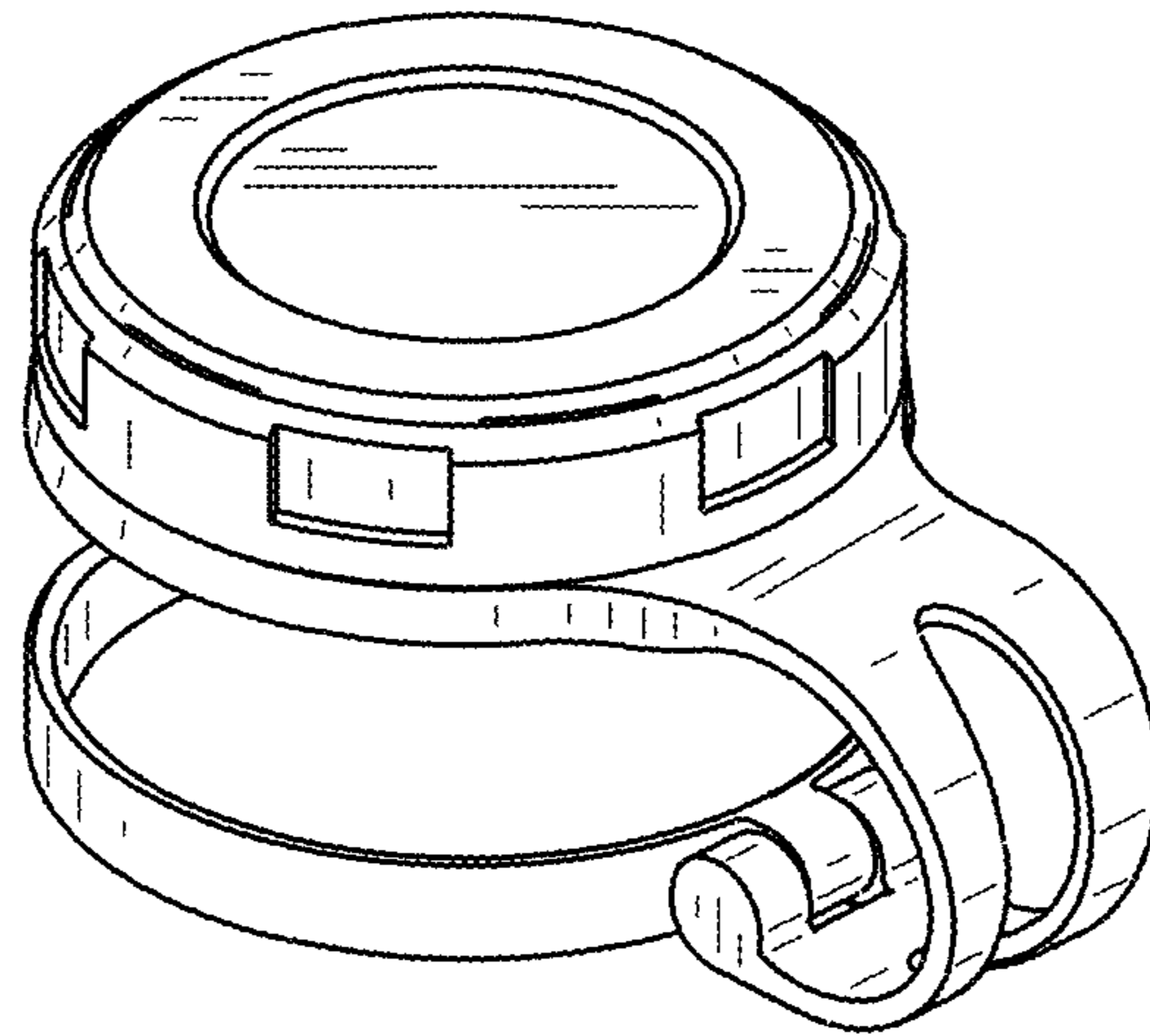


FIG. 1

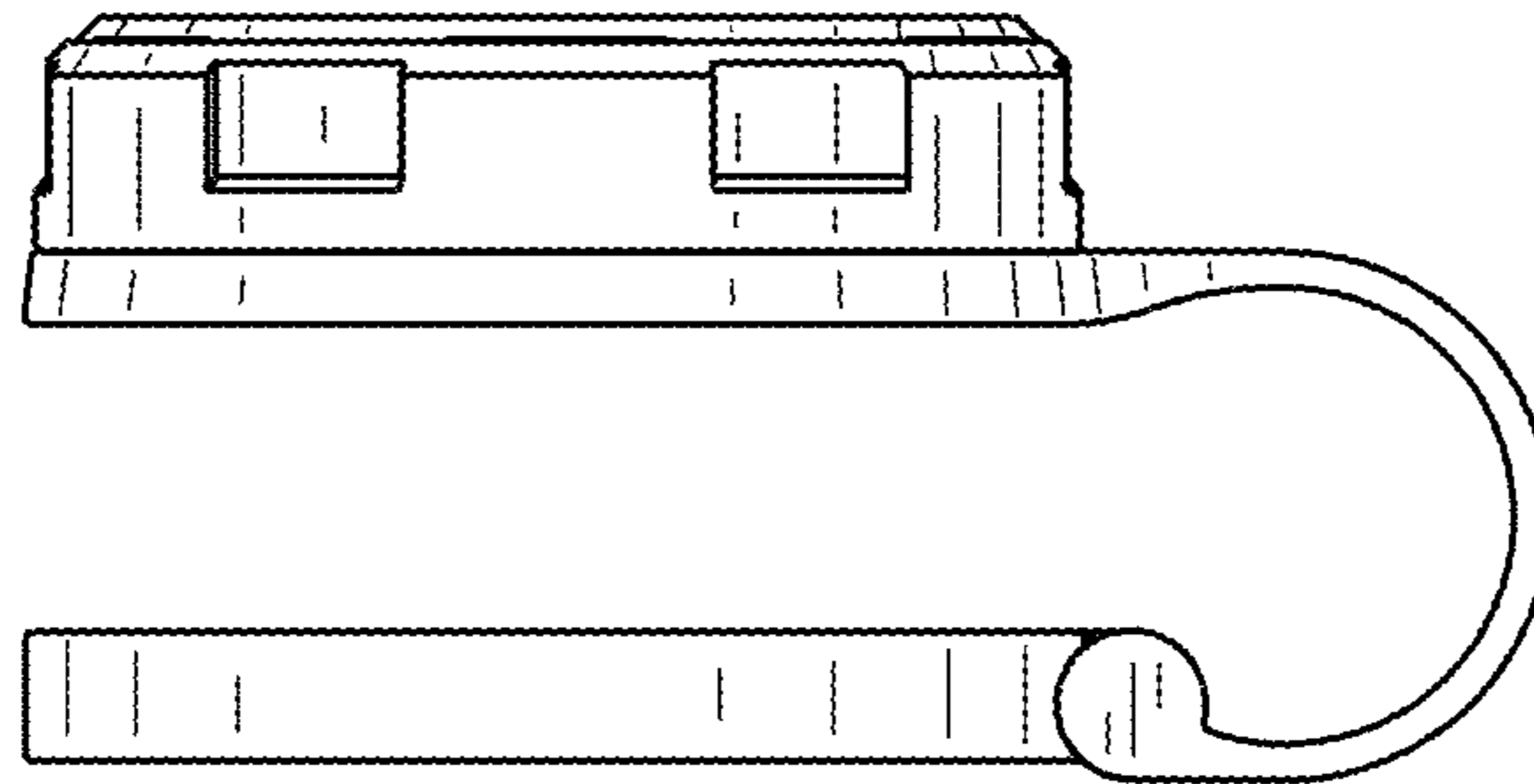


FIG. 2

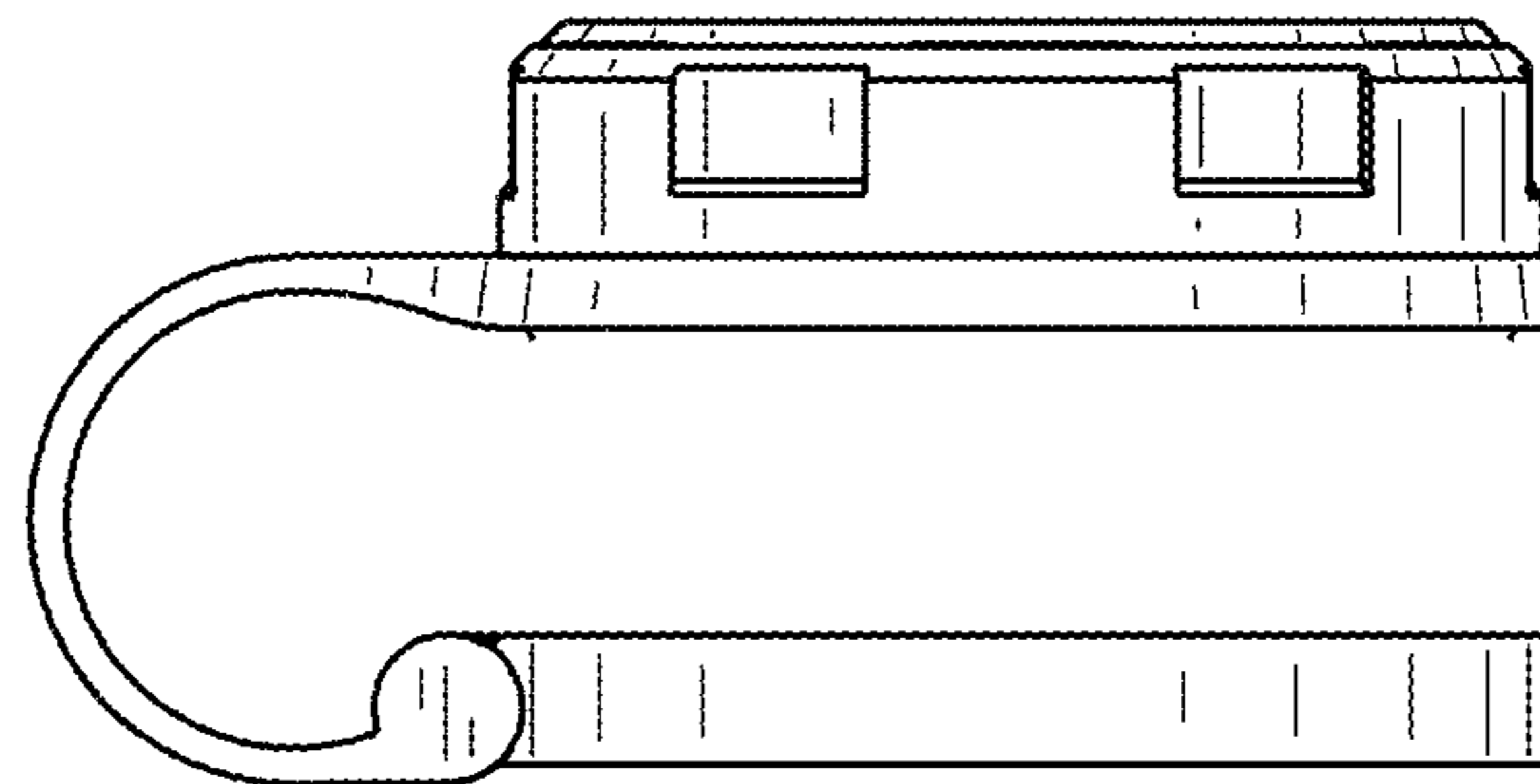


FIG. 3

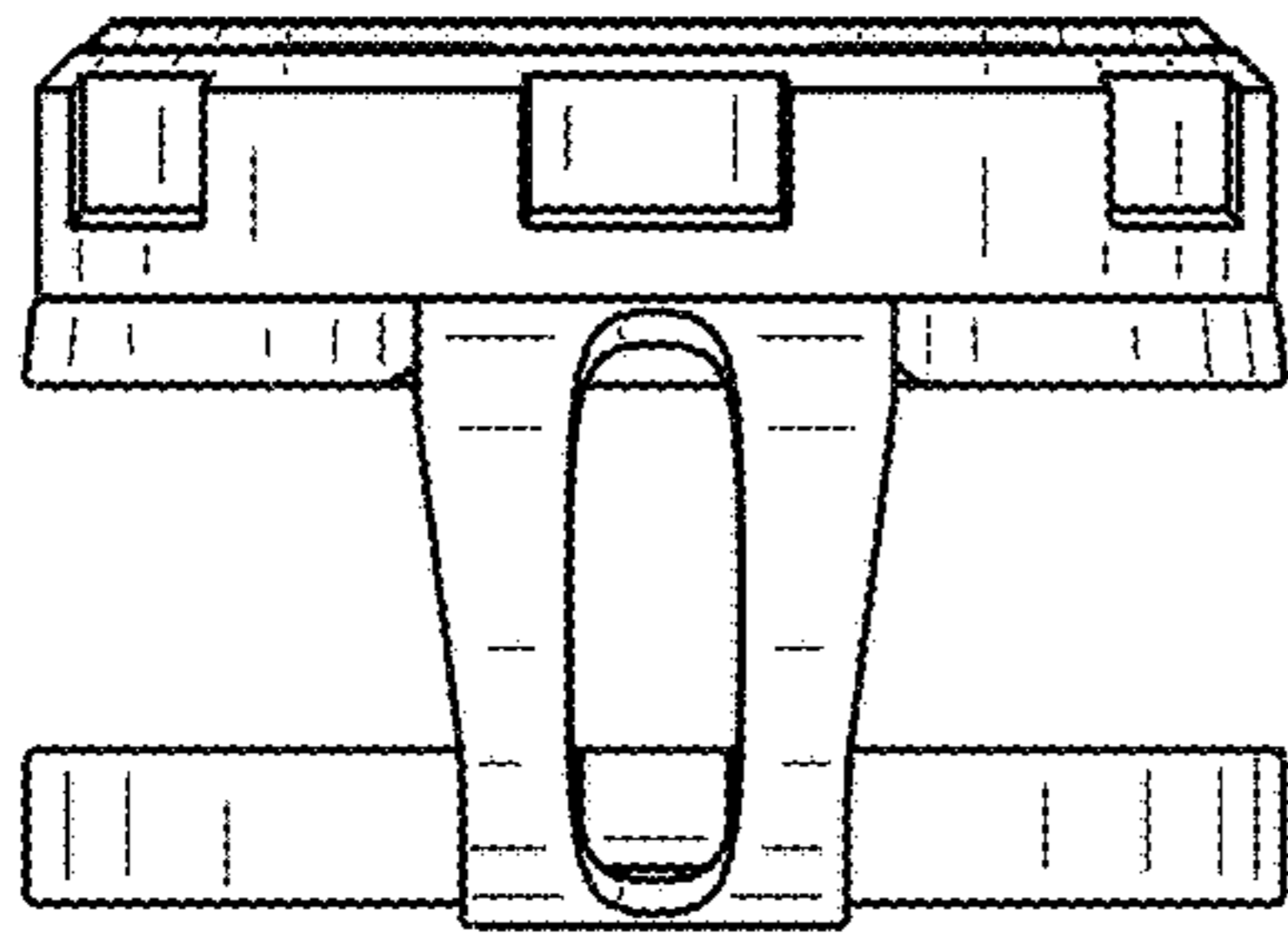


FIG. 4

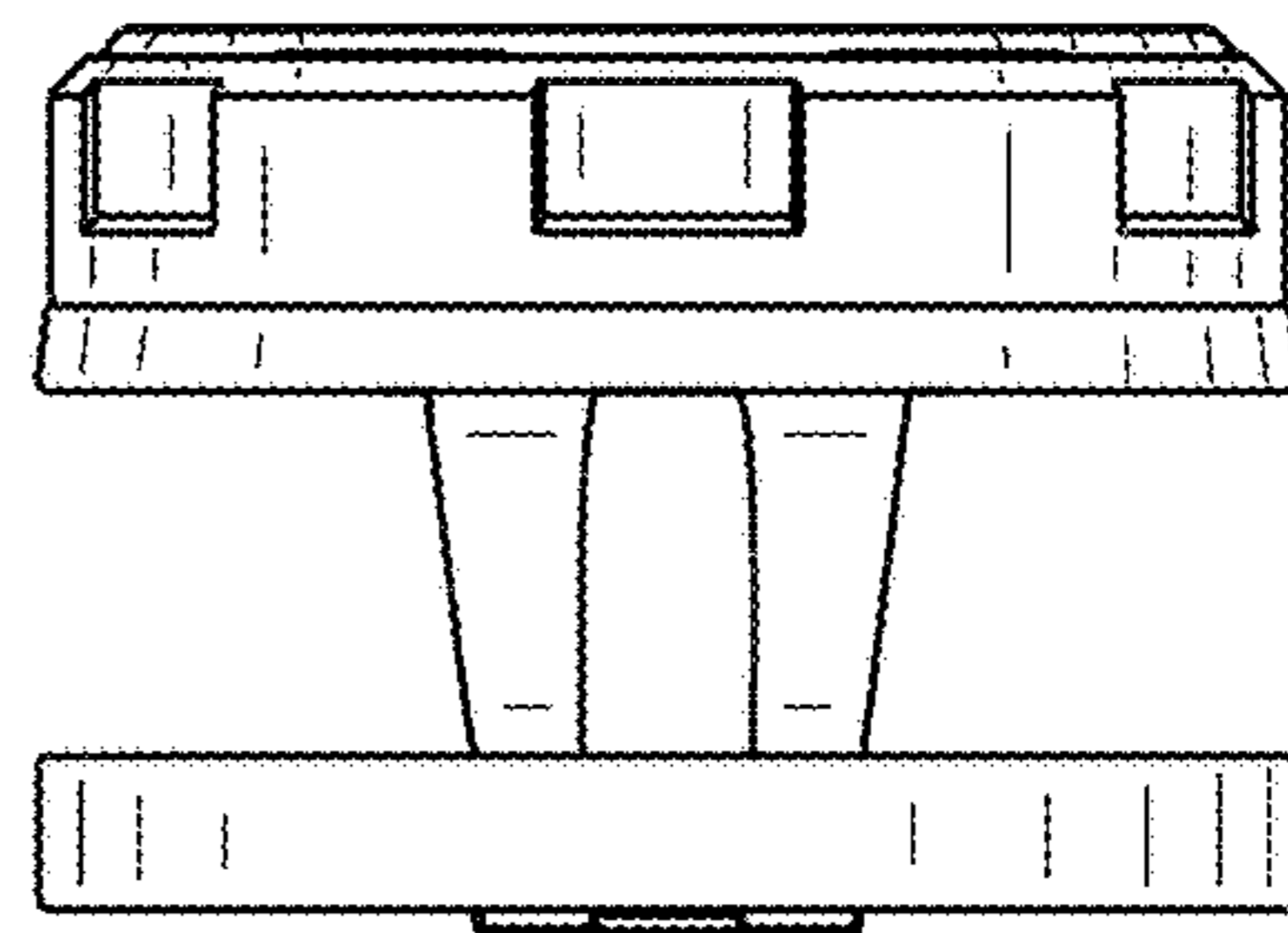


FIG. 5

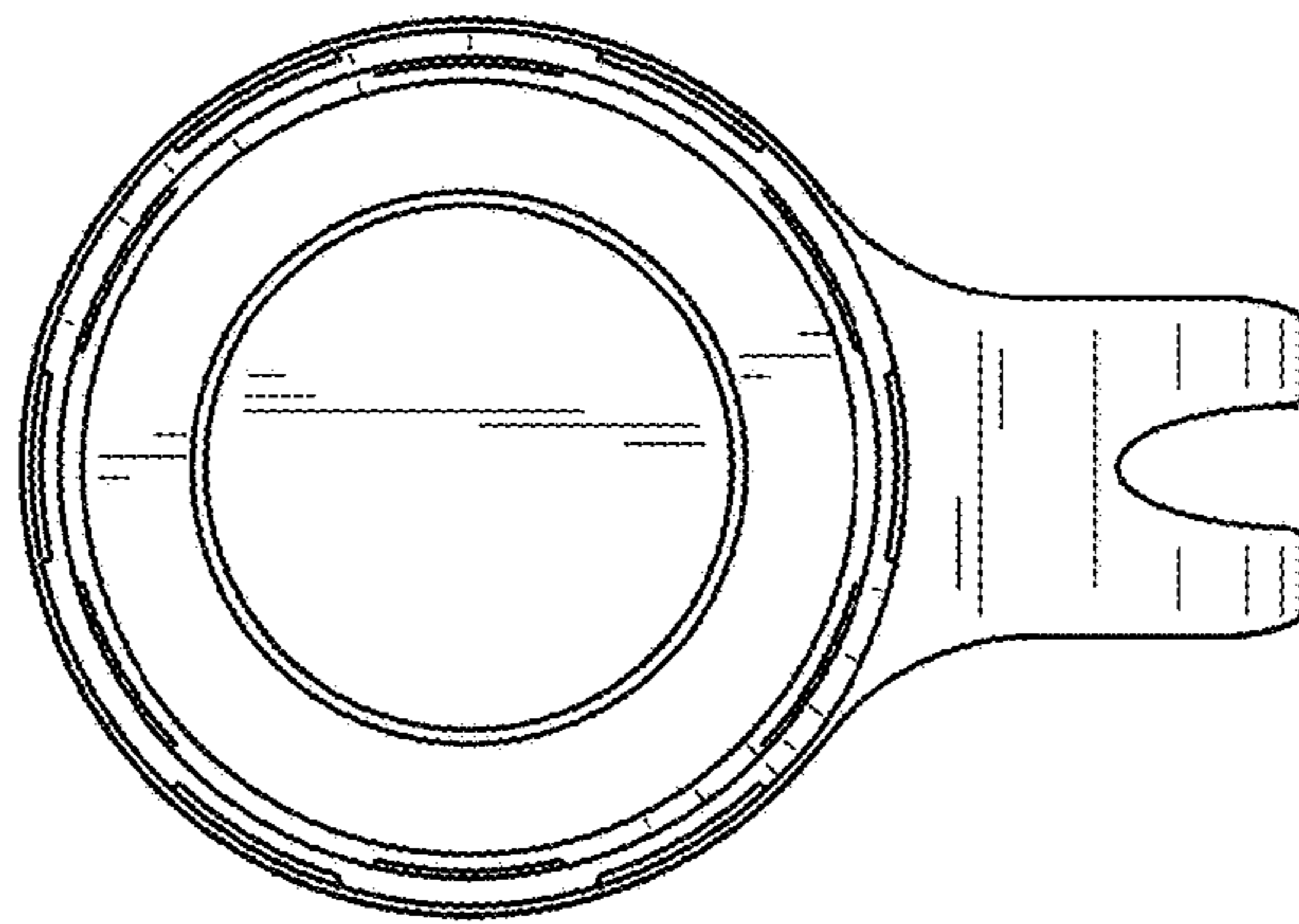


FIG. 6

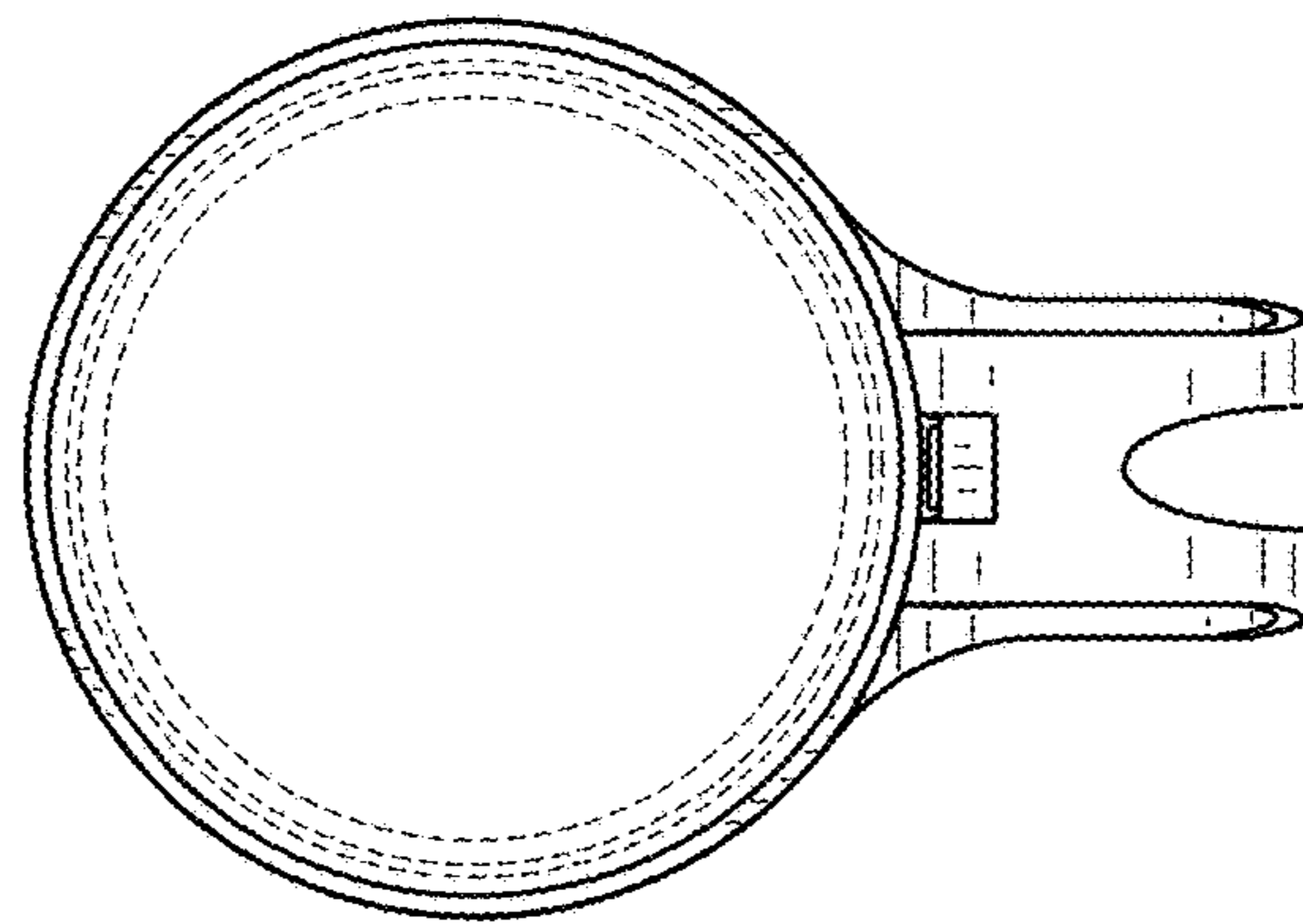


FIG. 7

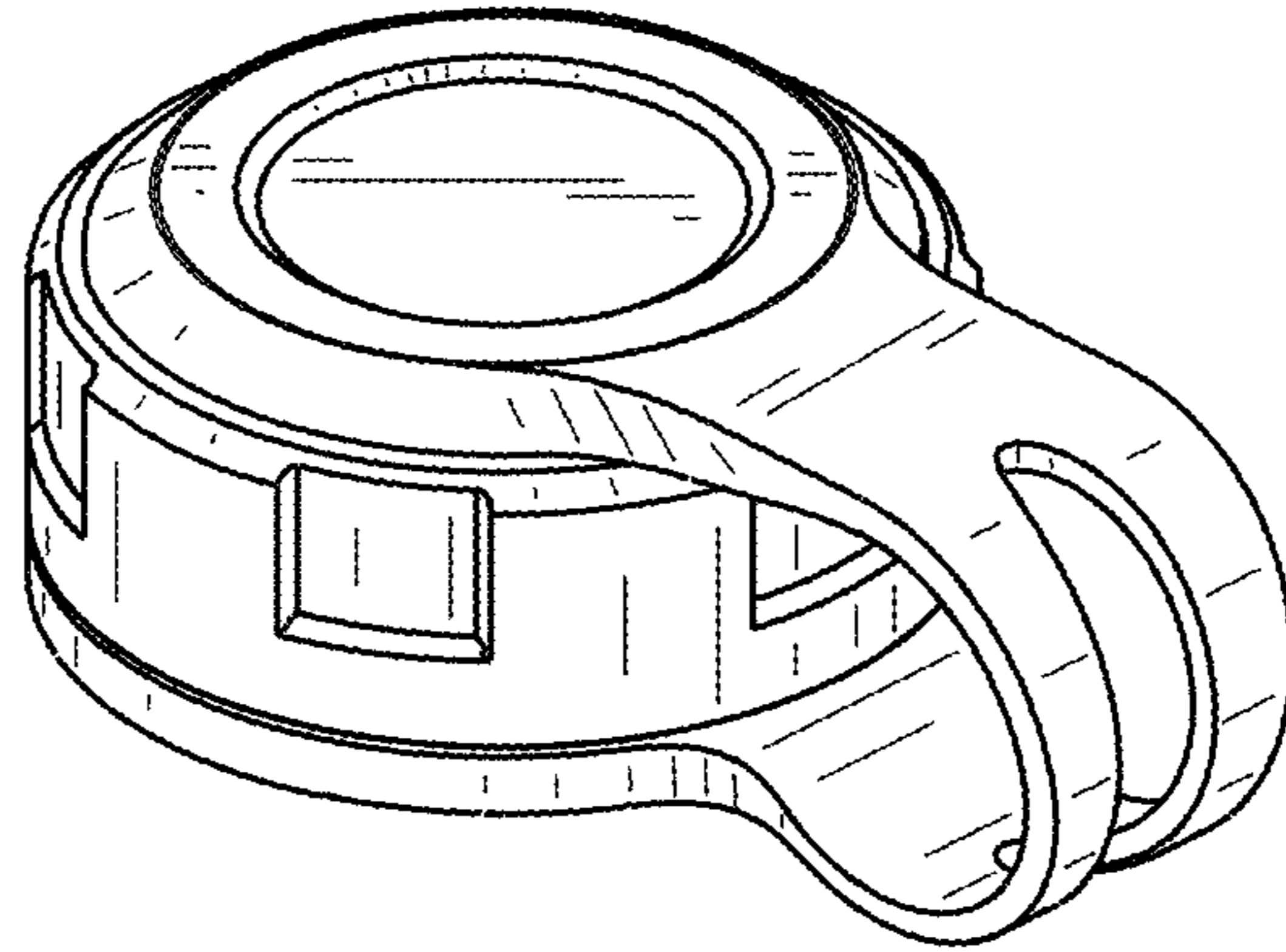


FIG. 8

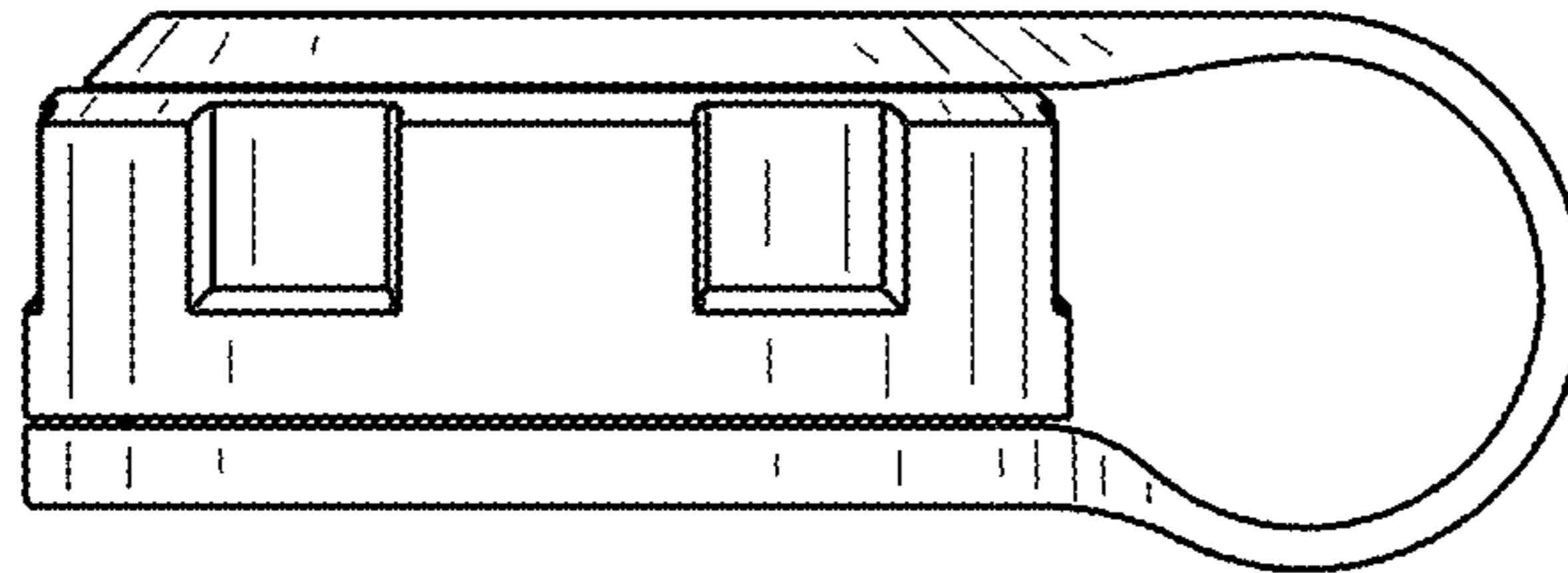


FIG. 9

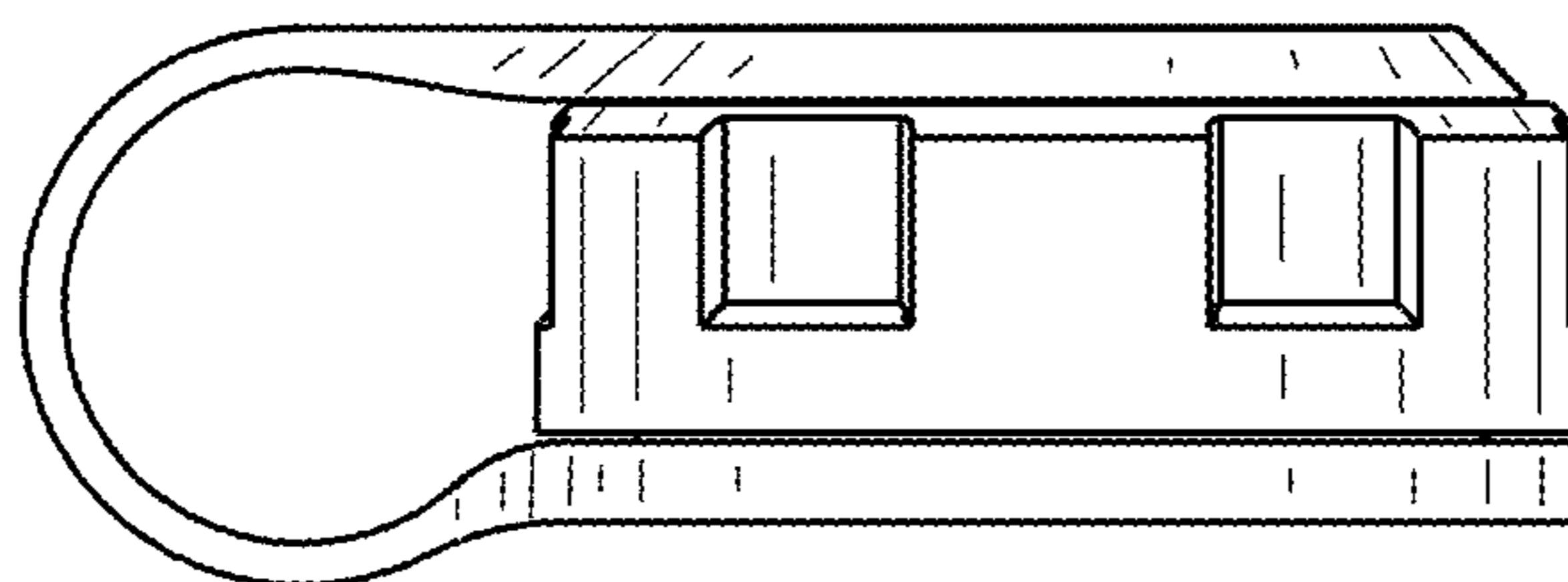


FIG. 10

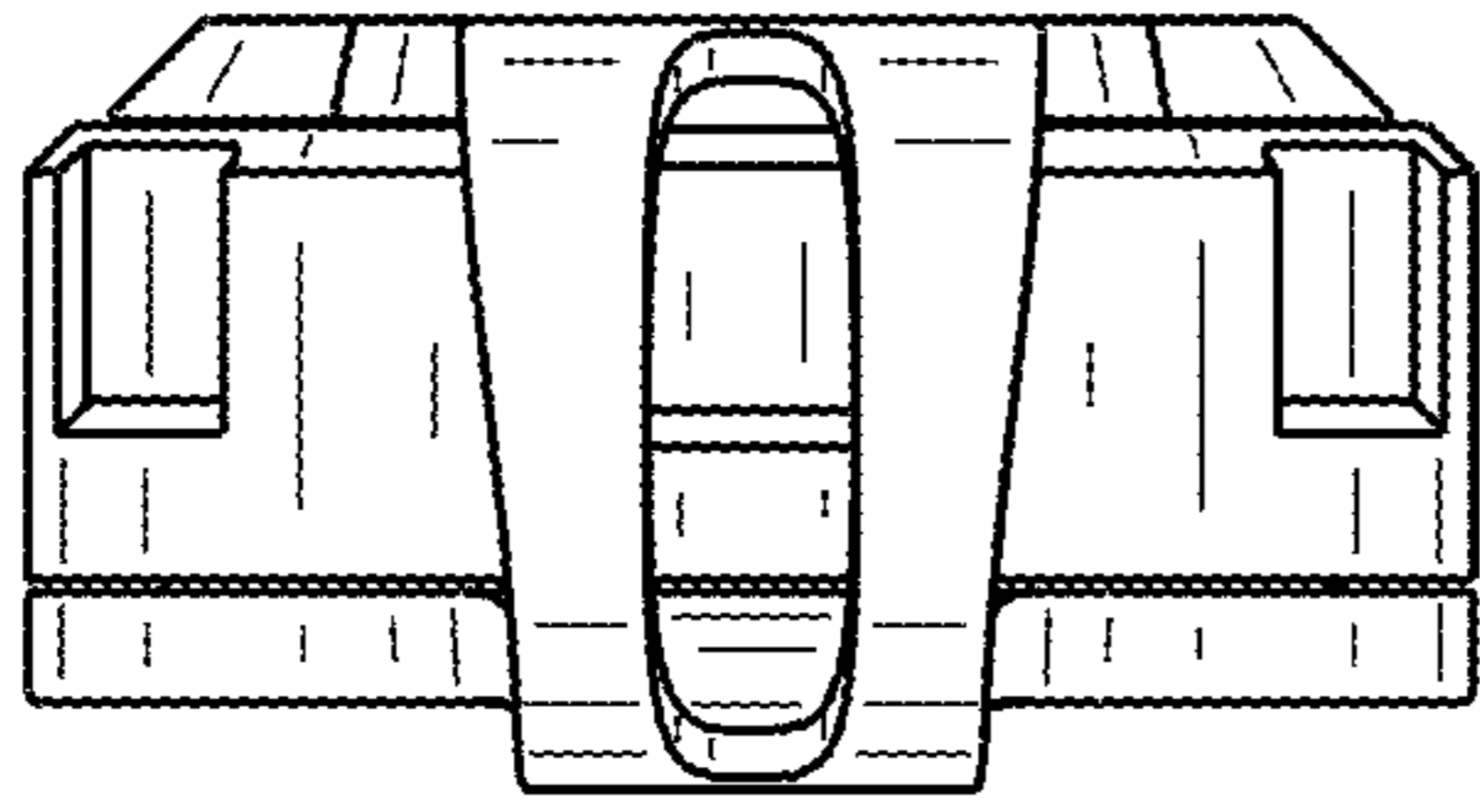


FIG. 11

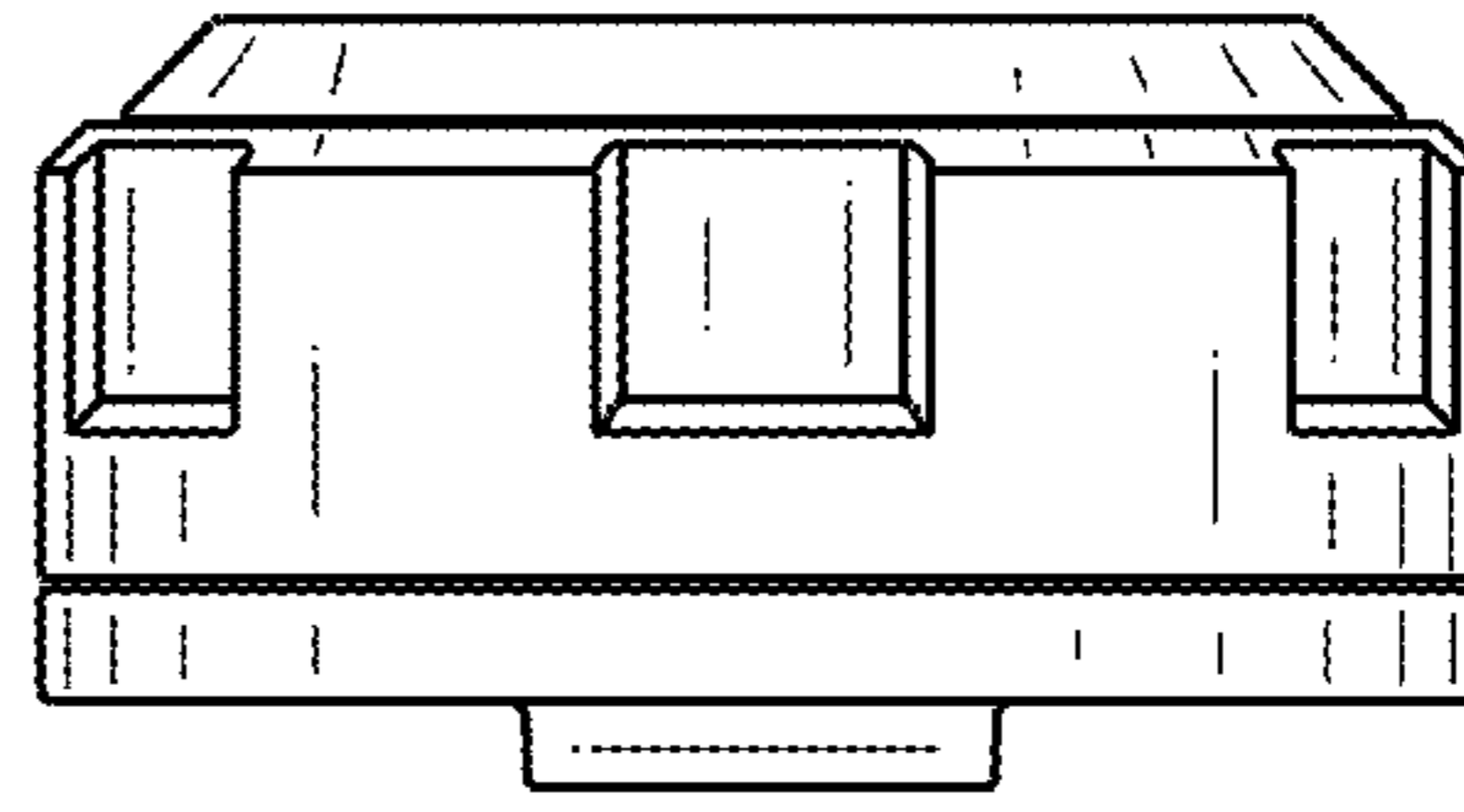


FIG. 12

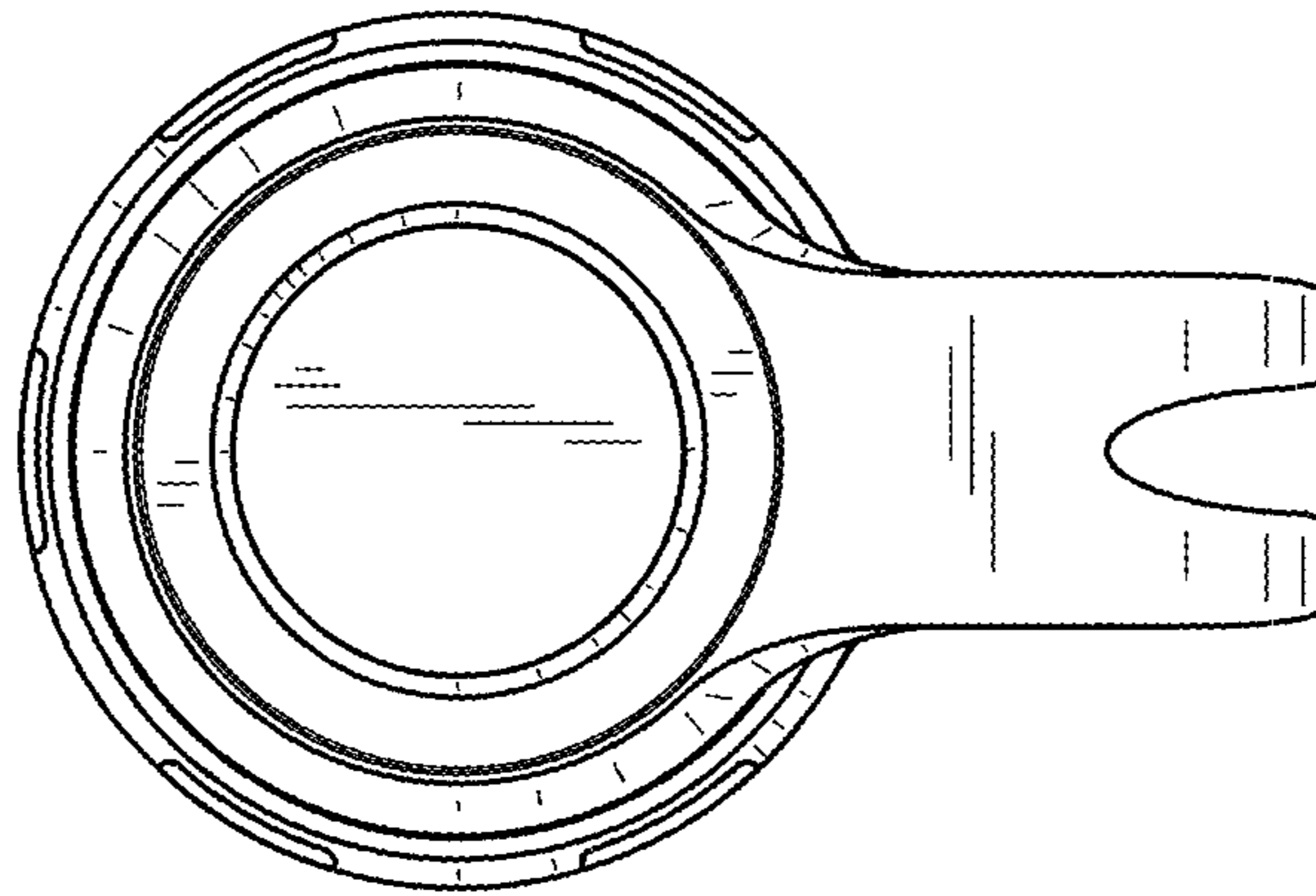


FIG. 13

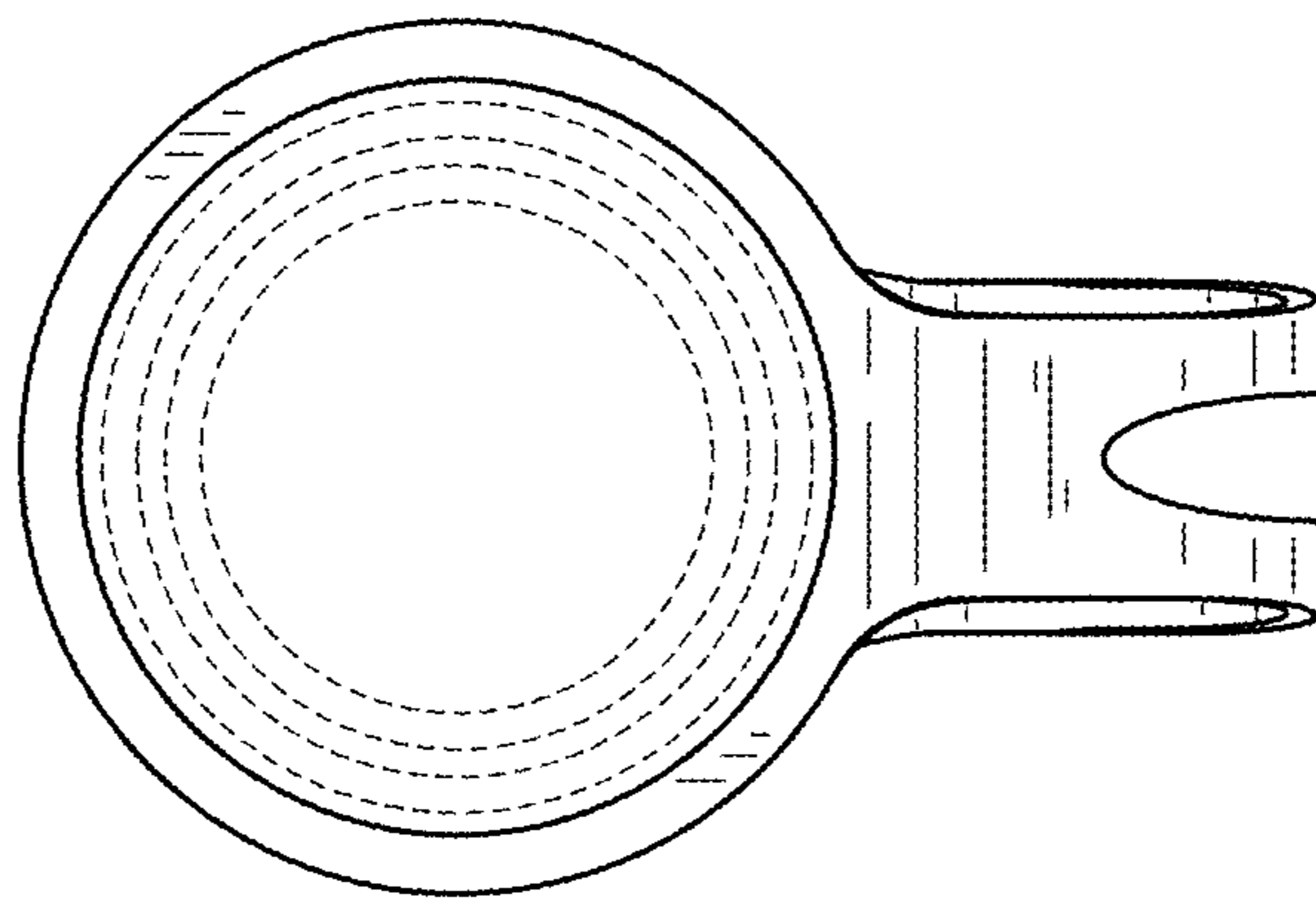


FIG. 14