



US00D806462S

(12) **United States Design Patent**
Zhang

(10) **Patent No.:** **US D806,462 S**

(45) **Date of Patent:** **** Jan. 2, 2018**

(54) **FOLDING STOVE**

(71) Applicant: **Chaoyi Craftwork Manufactory Limited**, Jiangmen, Guangdong Province (CN)

(72) Inventor: **ZhongZhi Zhang**, Jiangmen (CN)

(73) Assignee: **CHAOYI CRAFTWORK MANUFACTORY LIMITED** (CN)

(**) Term: **15 Years**

(21) Appl. No.: **29/575,980**

(22) Filed: **Aug. 30, 2016**

(30) **Foreign Application Priority Data**

Mar. 1, 2016 (CN) 2016 3 0056112

(51) **LOC (11) Cl.** **07-02**

(52) **U.S. Cl.**
USPC **D7/332**

(58) **Field of Classification Search**

USPC D7/332-337, 402-411; 126/152 R, 25 R; D23/343, 348

CPC .. A47J 37/067; A47J 37/0694; A47J 37/0786; A47J 37/0704; A47J 37/0713; A47J 37/0781; A47J 37/0777; A47J 37/0763; A47J 37/0611; A47J 37/0709; A47J 37/0676; F24C 15/16; F24C 1/16; F24C 5/20; F24C 3/14; F24C 7/10

See application file for complete search history.

(56) **References Cited**

U.S. PATENT DOCUMENTS

D91,639 S * 2/1934 Stulik 126/25 R
D546,114 S * 7/2007 Reiner F24C 1/16
D7/332

D734,974 S * 7/2015 Barford D7/332
D791,294 S * 7/2017 Grisham D23/343
2006/0260604 A1* 11/2006 Hata F24B 1/193
126/152 R
2011/0192392 A1* 8/2011 Chen A47J 37/0763
126/25 R
2013/0312737 A1* 11/2013 Chung A47J 33/00
126/9 B
2015/0075514 A1* 3/2015 Kuenzinger A47J 37/0763
126/25 A

* cited by examiner

Primary Examiner — Susan Bennett Hattan

Assistant Examiner — Brett Miller

(74) *Attorney, Agent, or Firm* — Miskin & Tsui-Yip LLP; Gloria Tsui-Yip

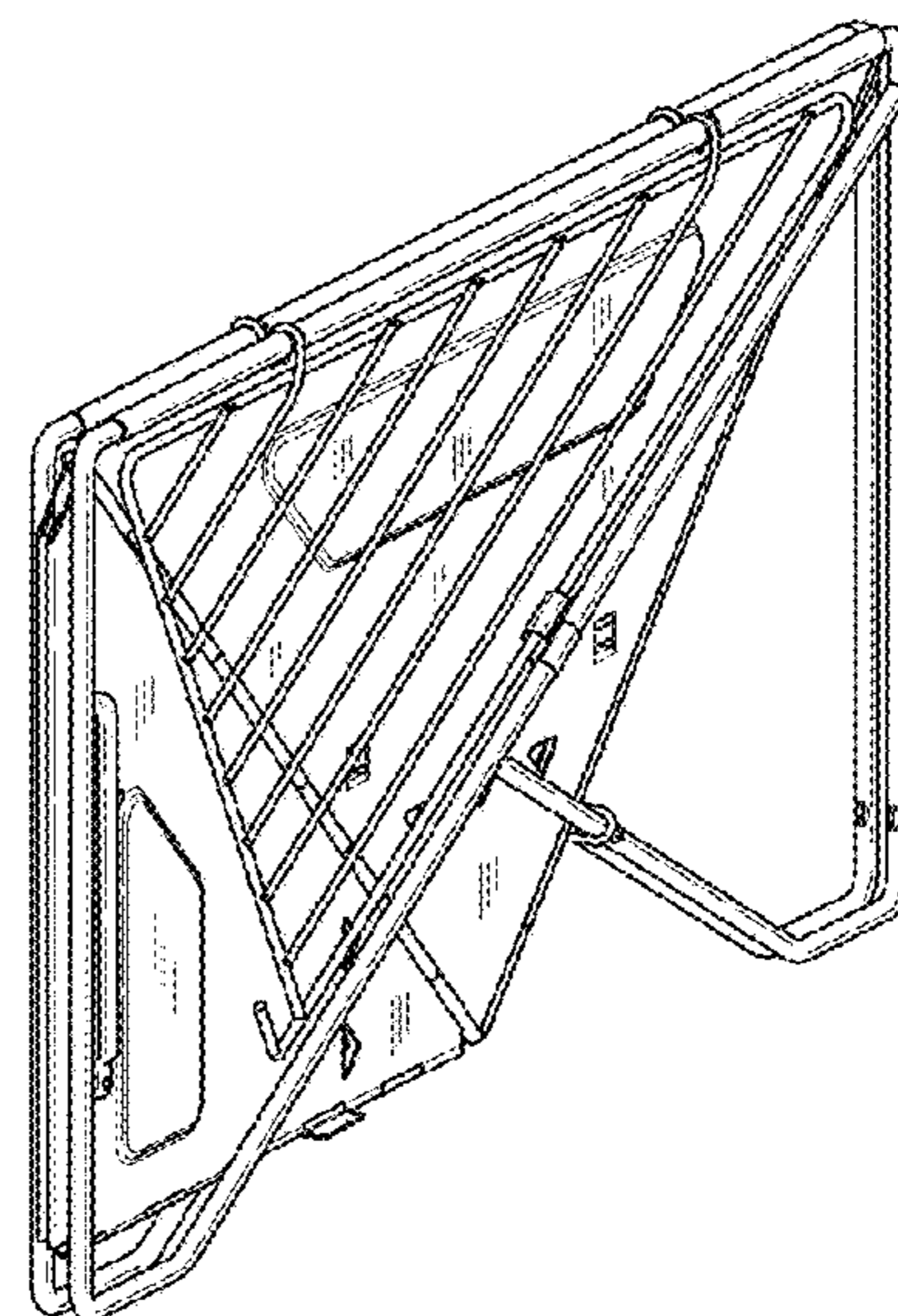
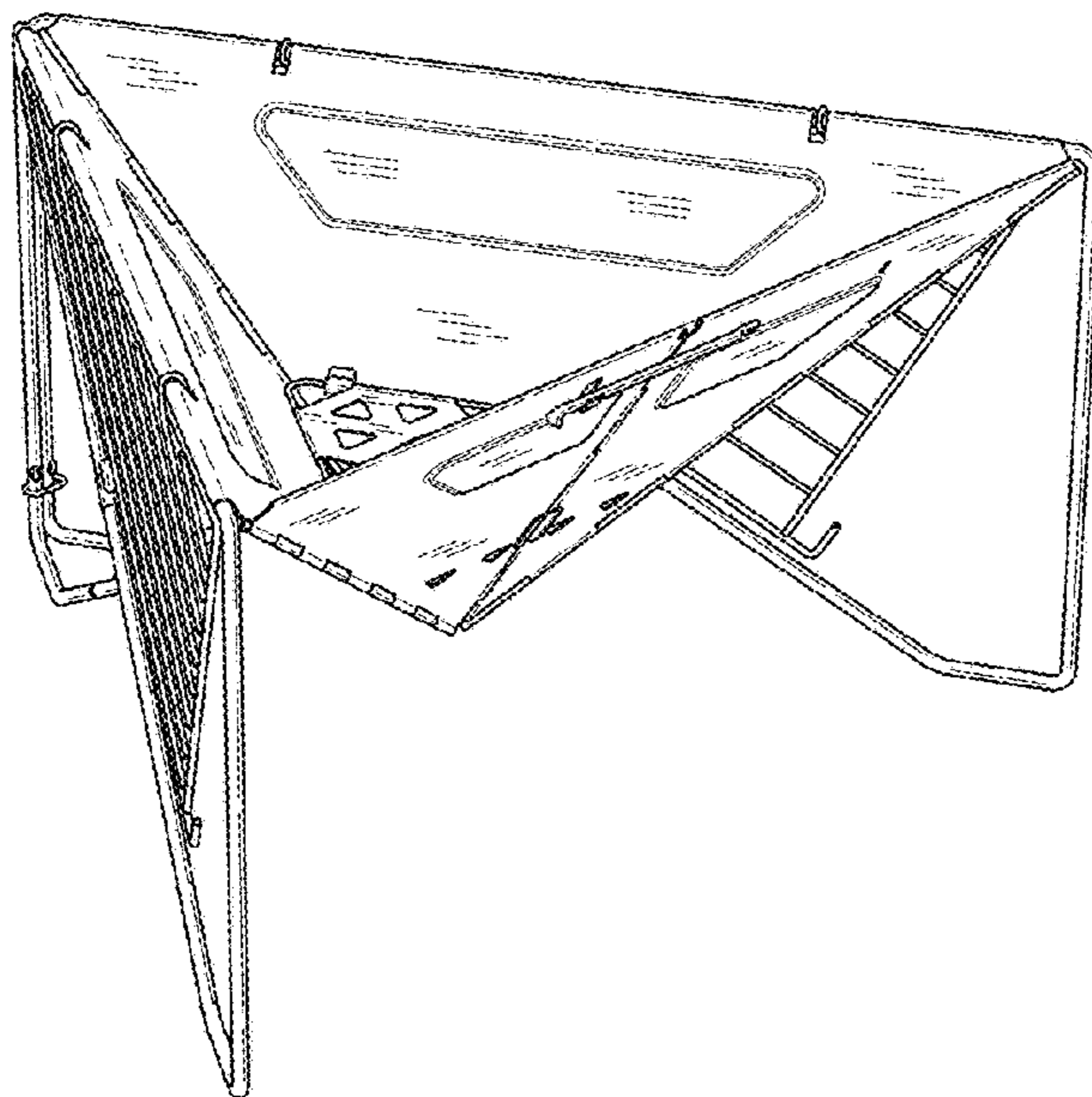
(57) **CLAIM**

The ornamental design for a folding stove, as shown and described.

DESCRIPTION

FIG. 1 is a front elevational view of my new design; FIG. 2 is a rear elevational view thereof; FIG. 3 is a left side view thereof; FIG. 4 is a right side view thereof; FIG. 5 is a top plan view thereof; FIG. 6 is a bottom plan view thereof; FIG. 7 is a perspective view thereof; FIG. 8 is another perspective view thereof; FIG. 9 is a right side view thereof in a folded position; FIG. 10 is a top plan view of FIG. 9; and, FIG. 11 is a perspective view of FIG. 9.

1 Claim, 10 Drawing Sheets



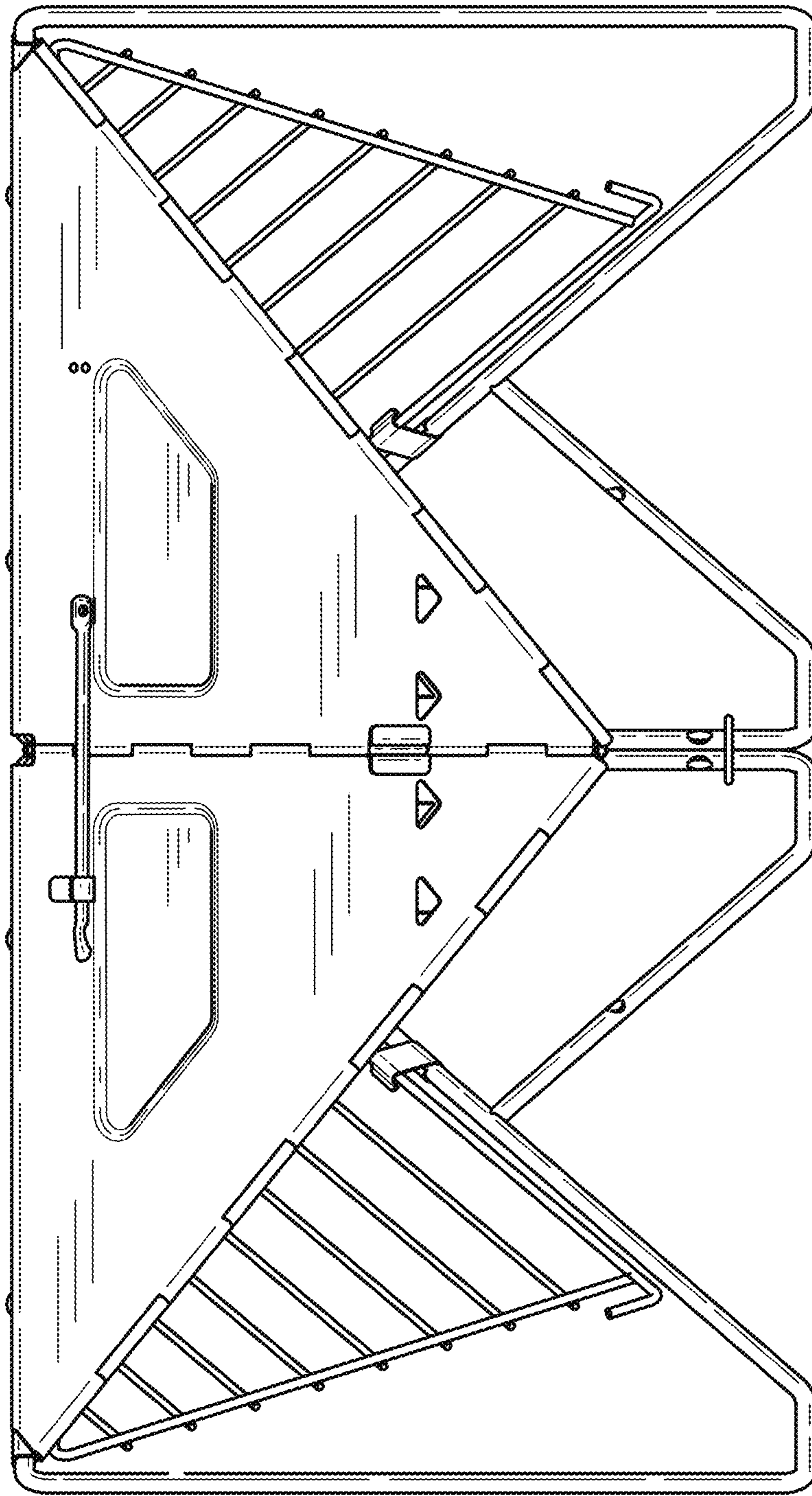


Fig.1

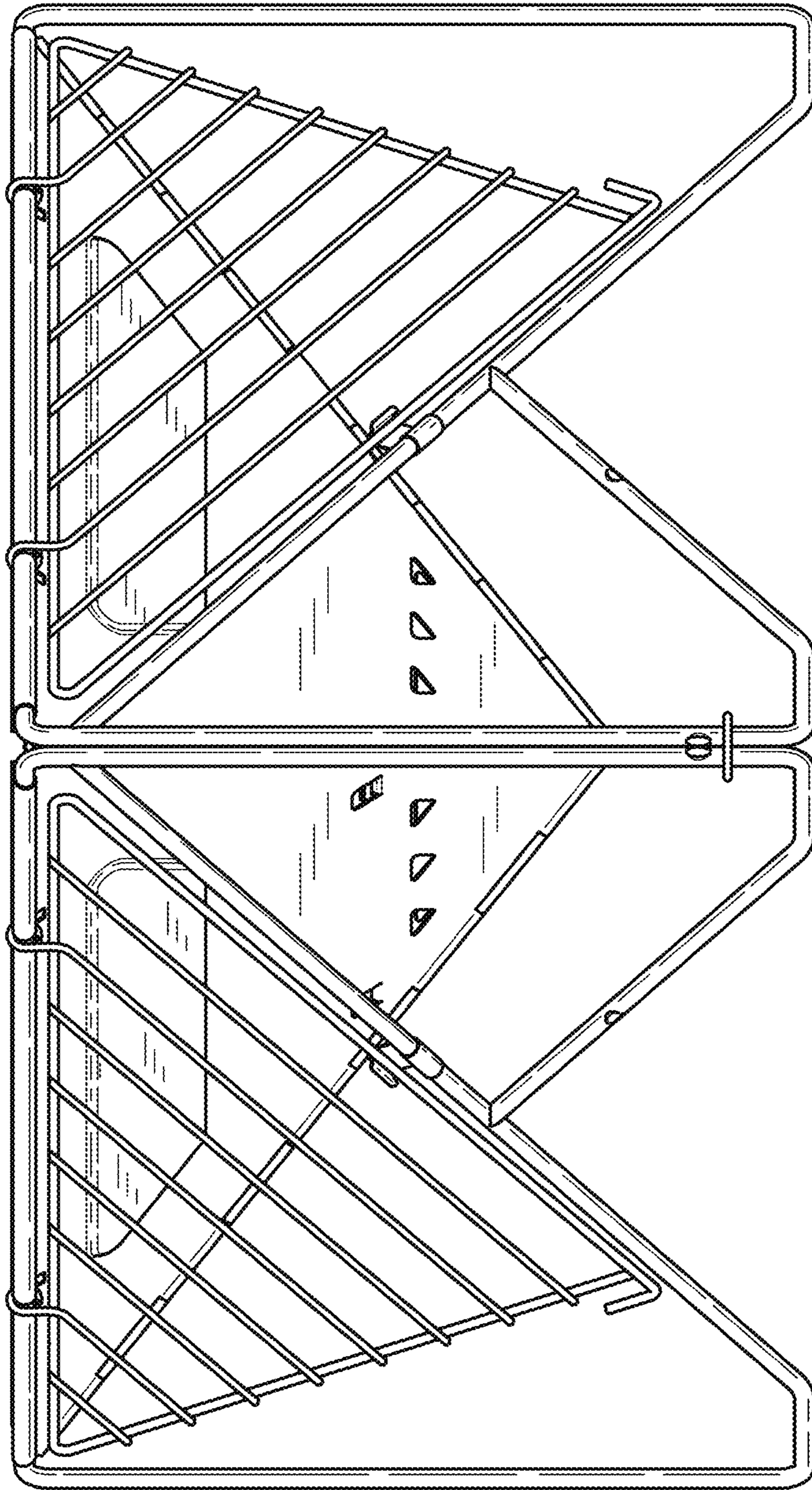


Fig.2

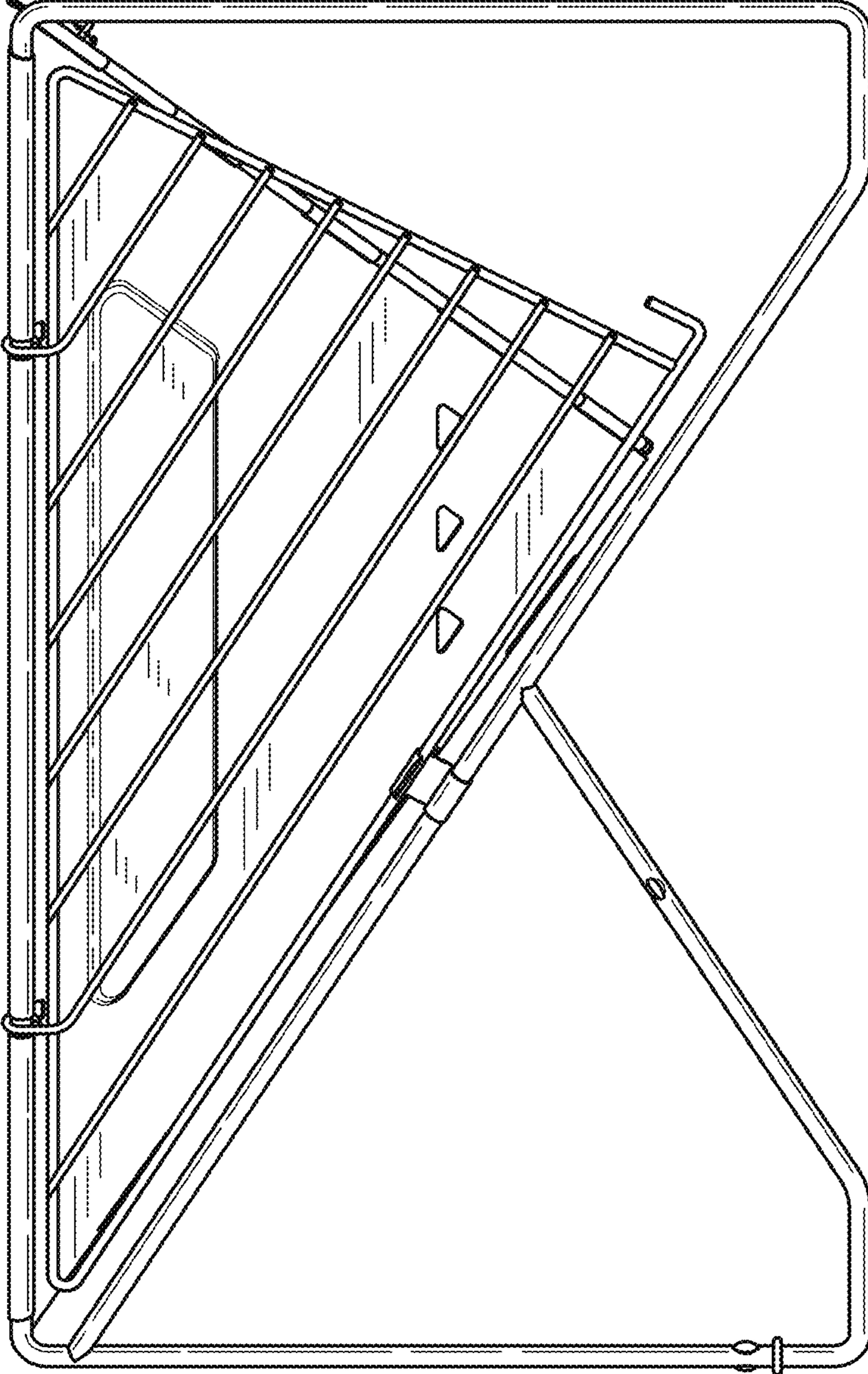


Fig.3

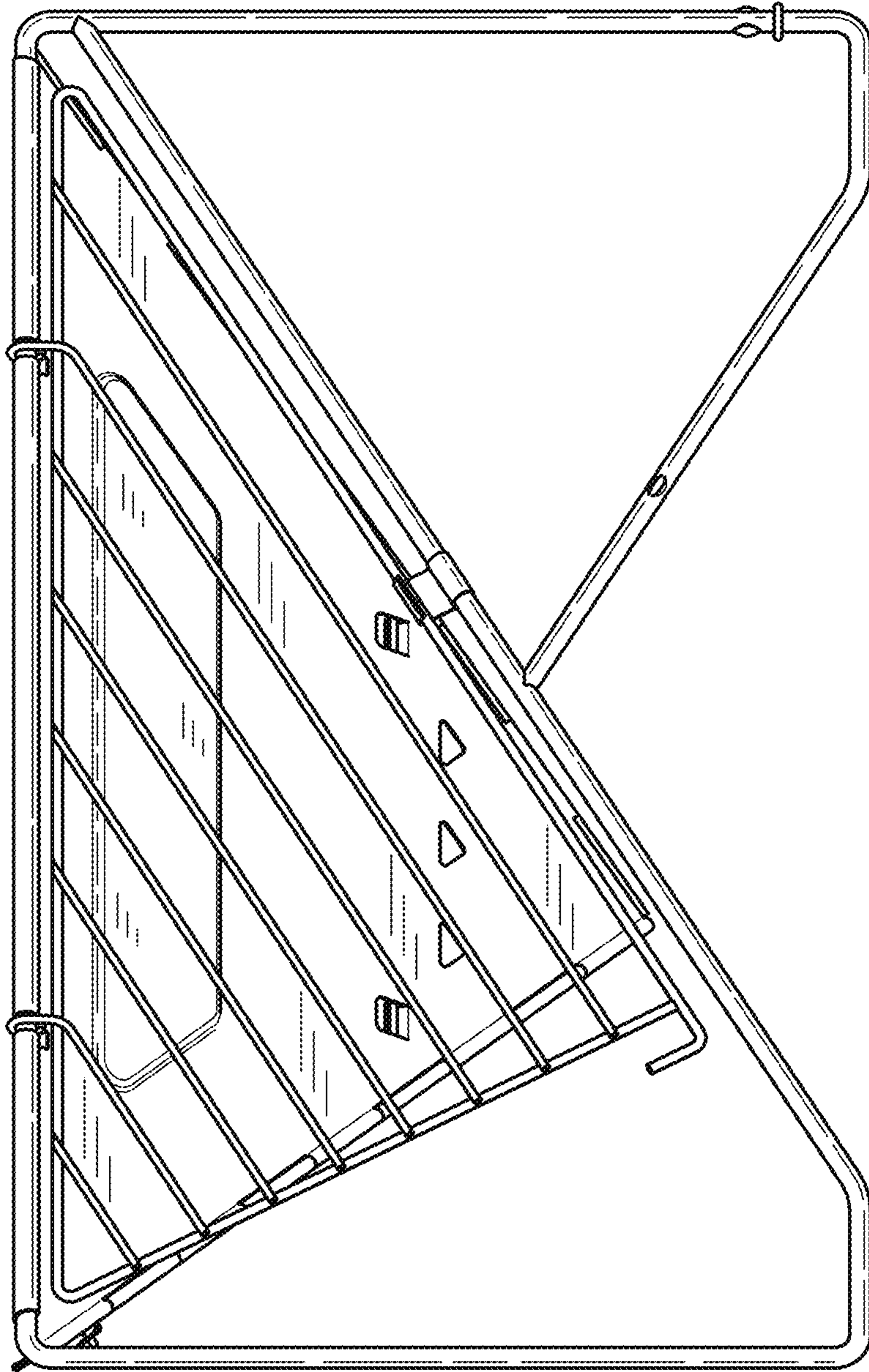


Fig.4

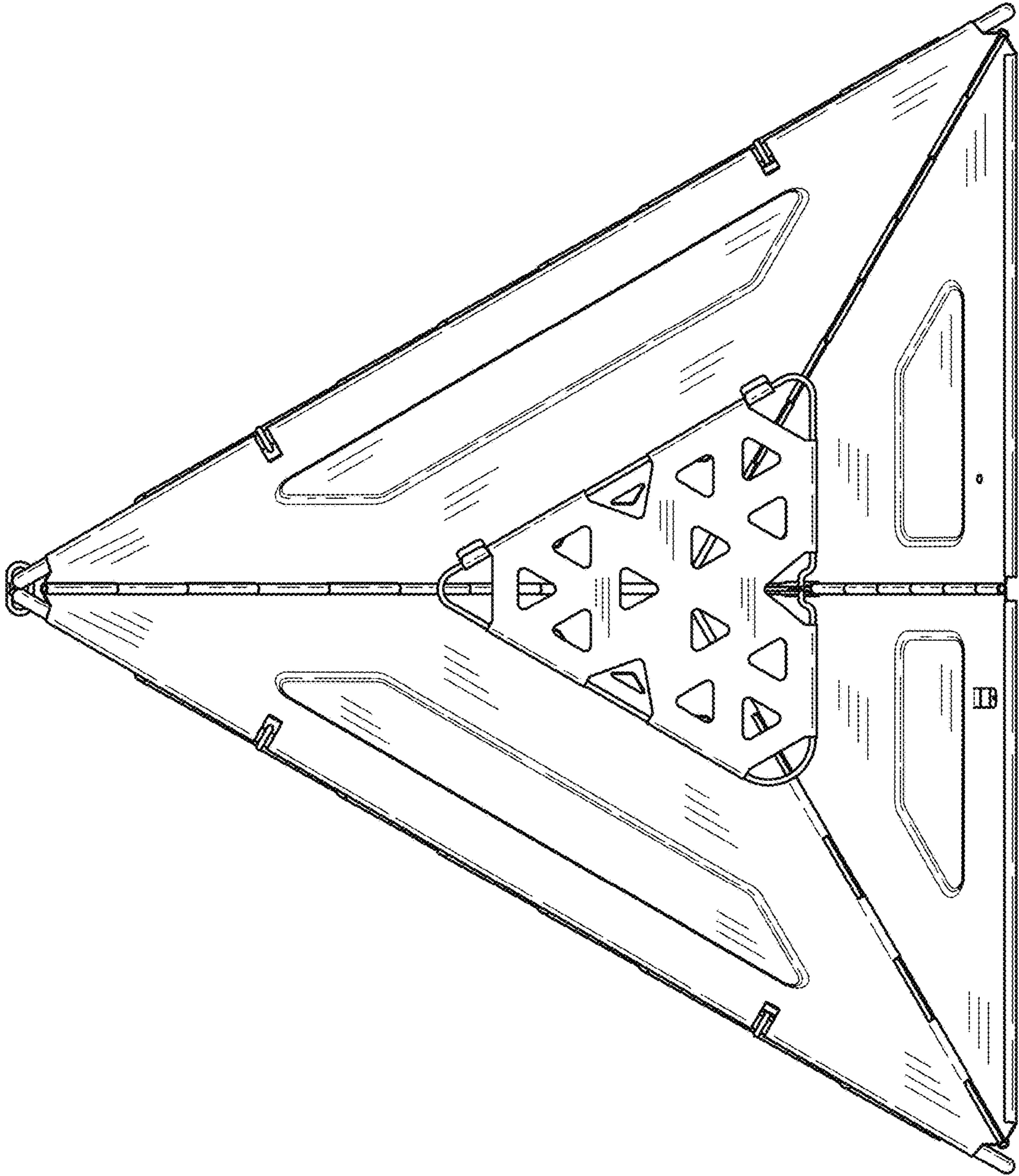


Fig.5

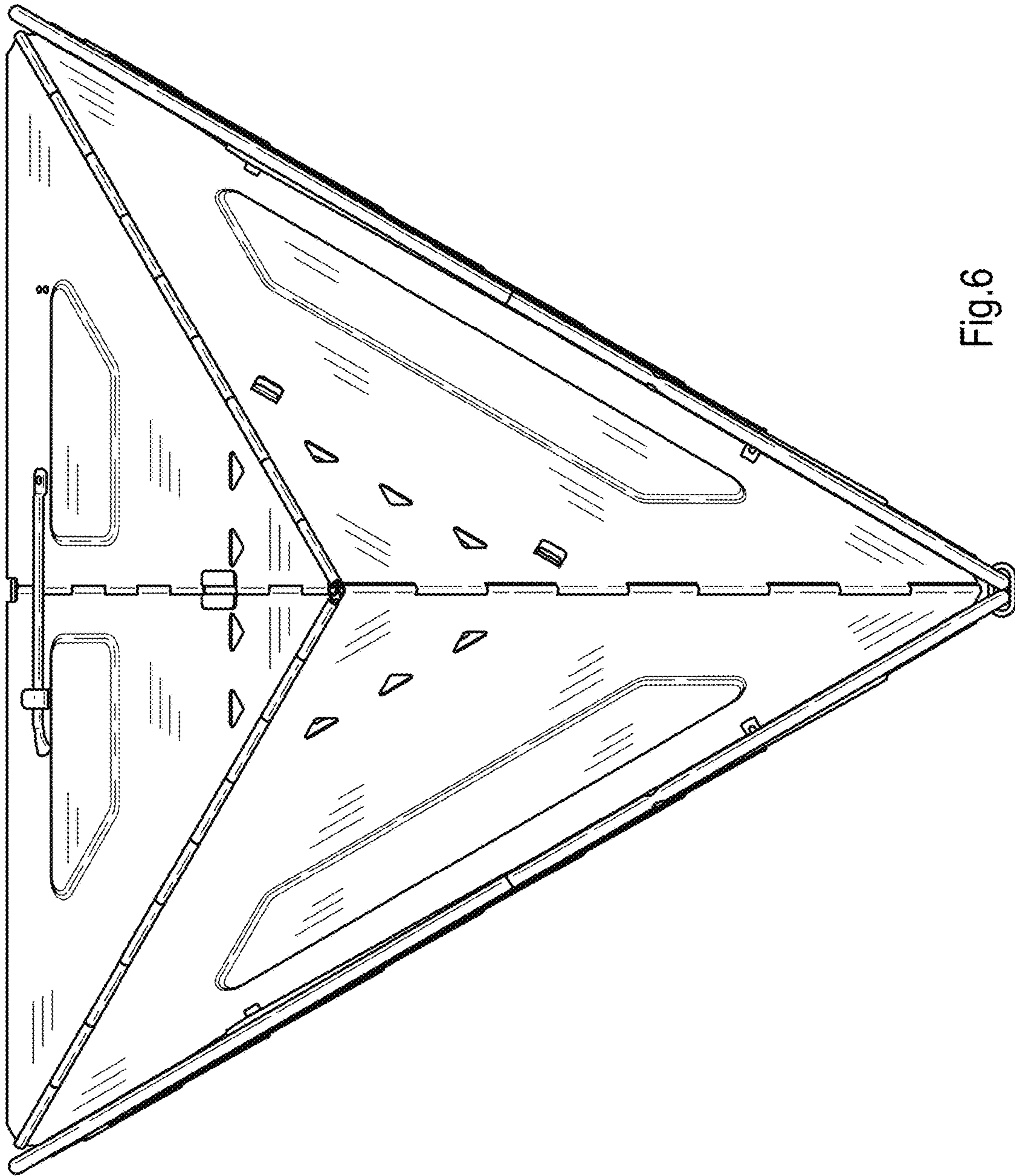


Fig.6

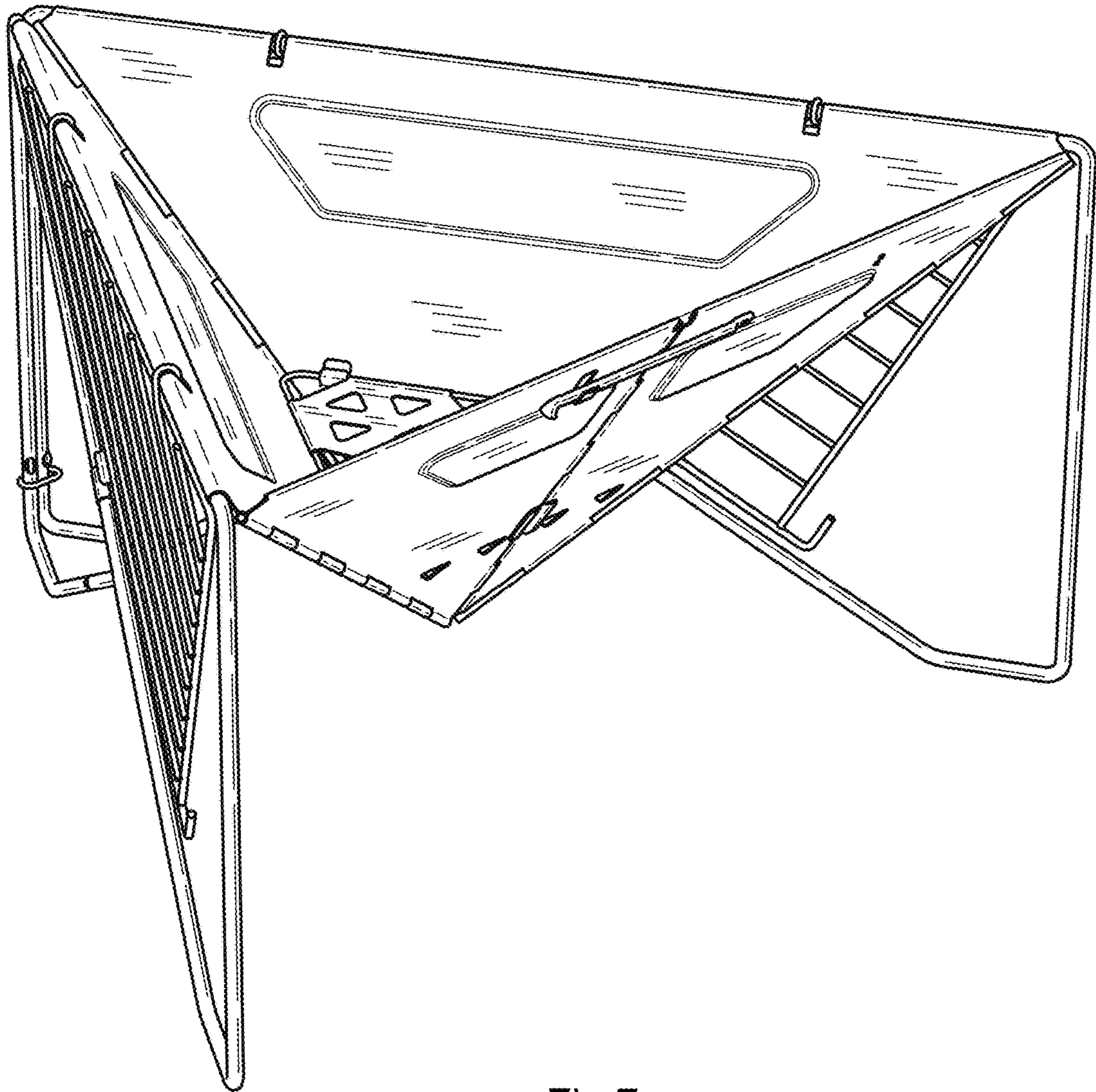


Fig.7

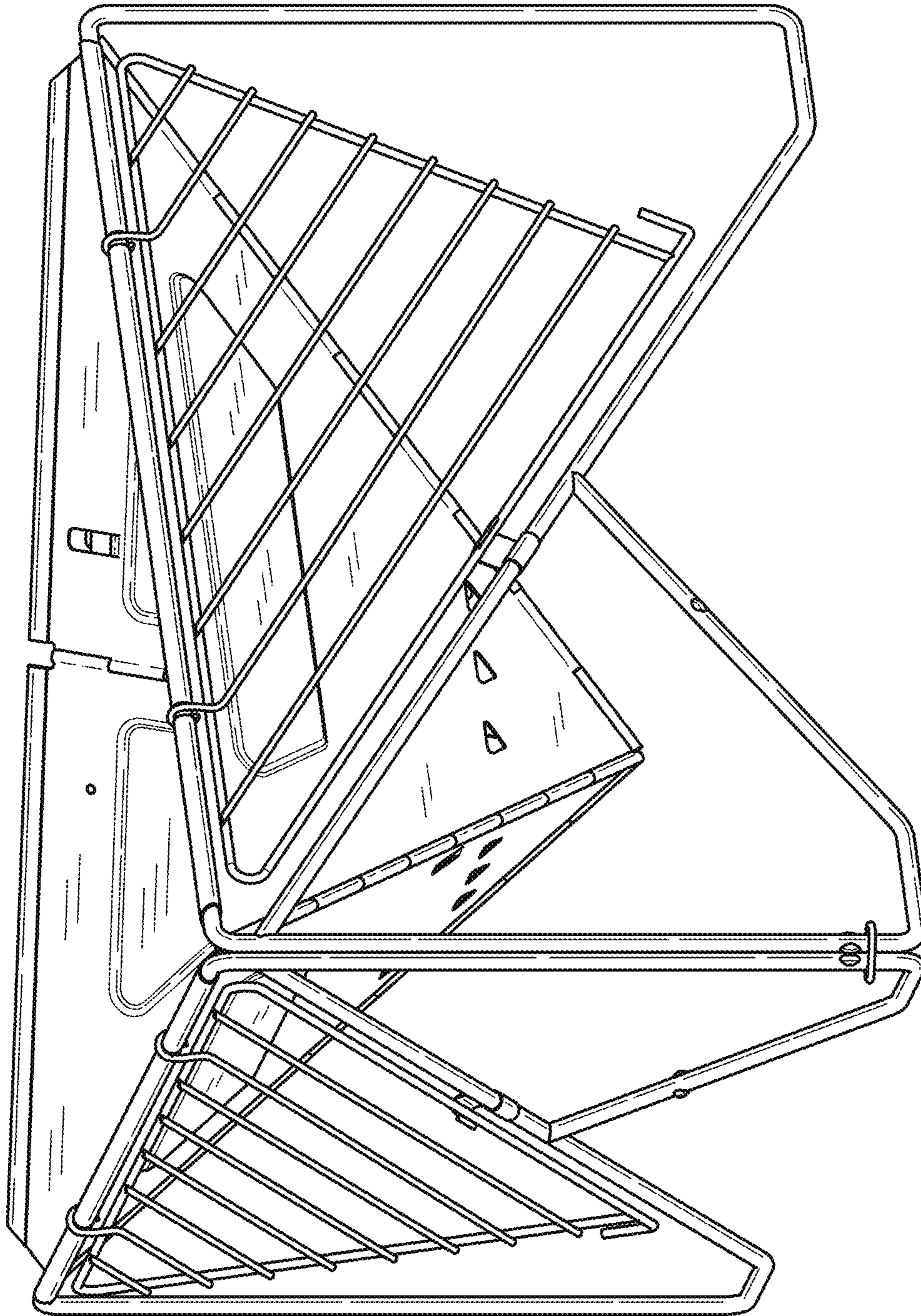


Fig.8

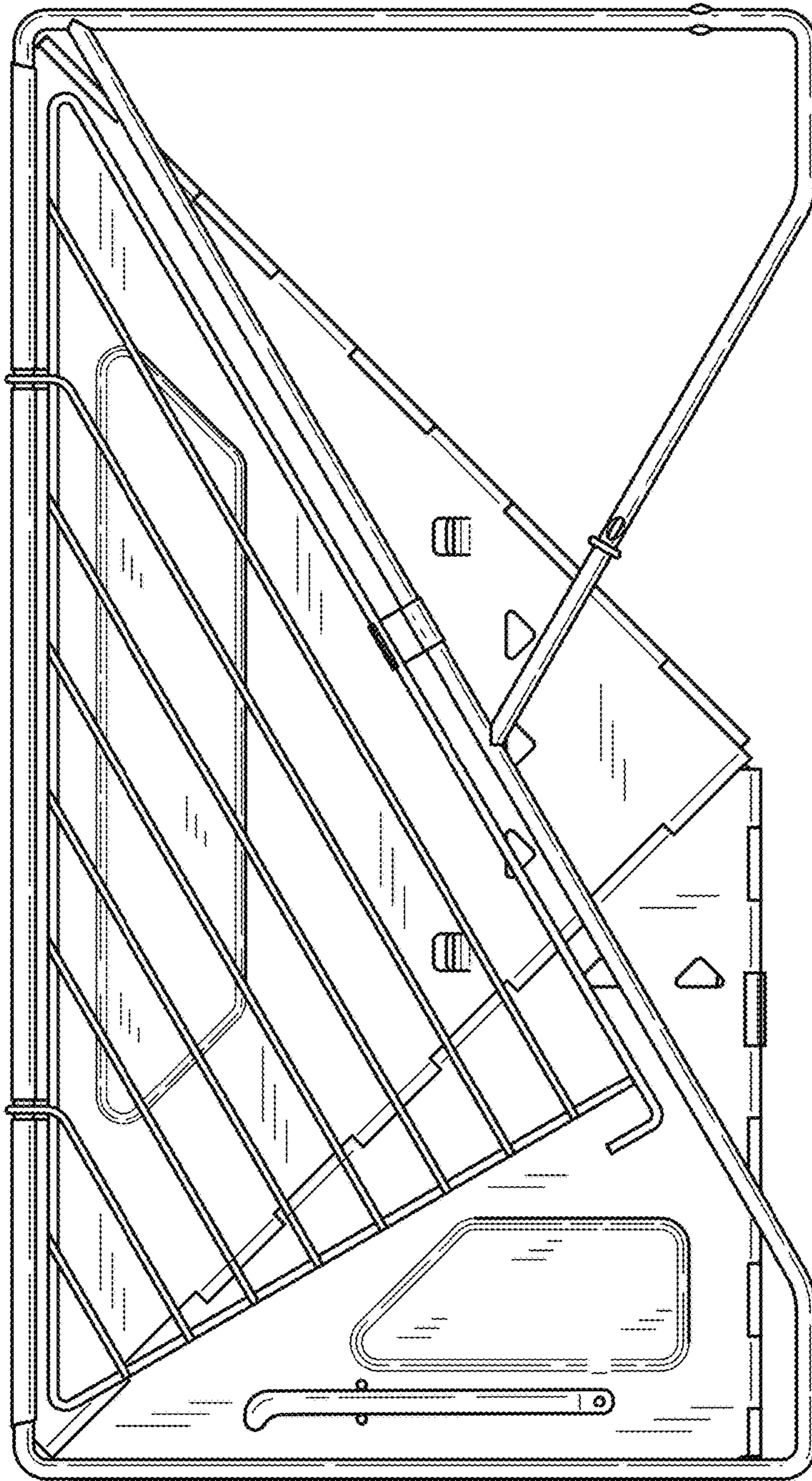


Fig.9



Fig.10

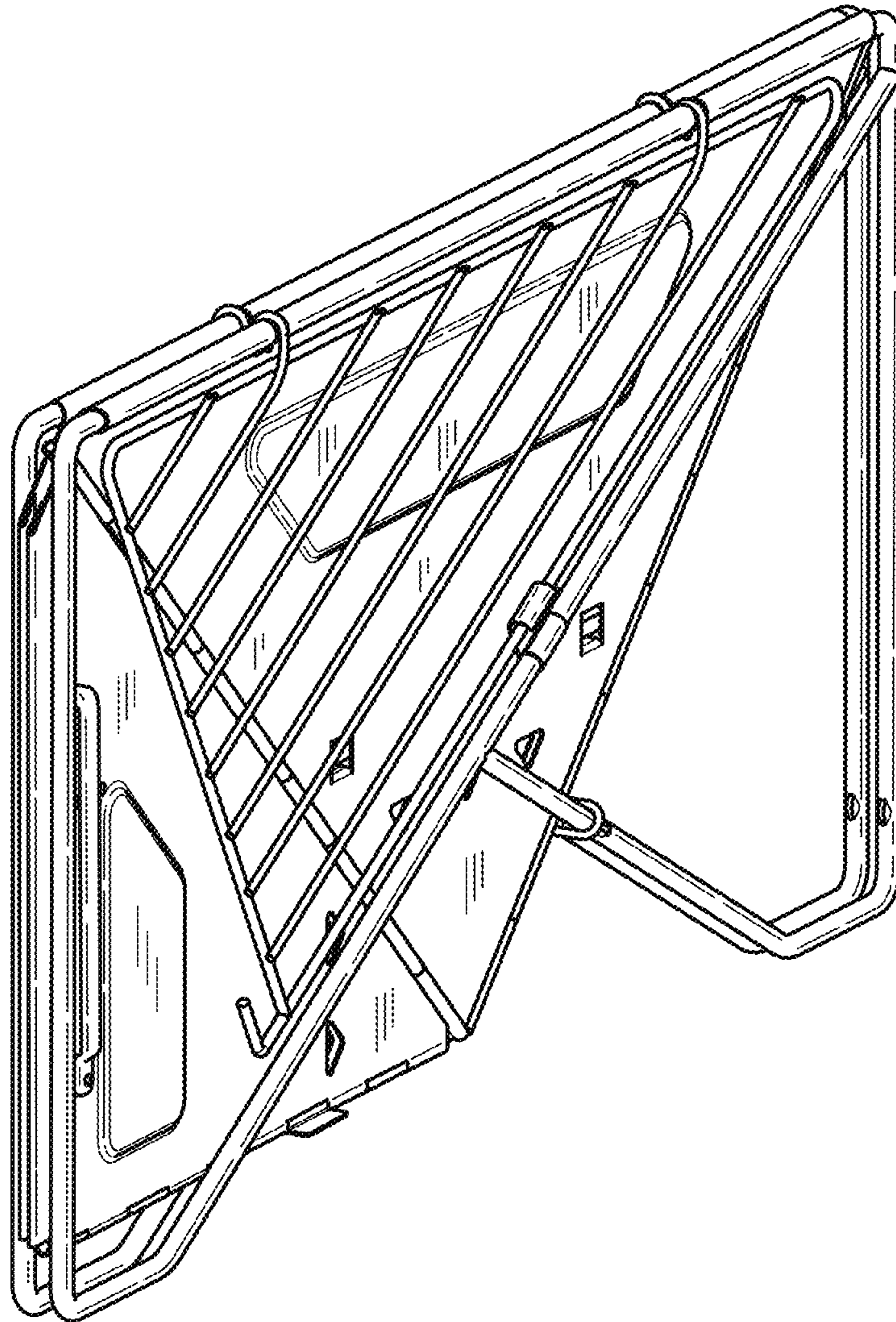


Fig.11