



US00D806460S

(12) **United States Design Patent**
Gasser

(10) **Patent No.:** **US D806,460 S**
(45) **Date of Patent:** **** Jan. 2, 2018**

- (54) **FURNITURE EDGE**
- (71) Applicant: **Mark E. Gasser**, Hubbard, OH (US)
- (72) Inventor: **Mark E. Gasser**, Hubbard, OH (US)
- (73) Assignee: **Gasser Chair Company, Inc.**,
Youngstown, OH (US)
- (**) Term: **14 Years**
- (21) Appl. No.: **29/509,612**
- (22) Filed: **Nov. 19, 2014**
- (51) **LOC (11) Cl.** **06-06**
- (52) **U.S. Cl.**
USPC **D6/719**
- (58) **Field of Classification Search**
USPC D3/318; 150/158, 154; D6/716.4, 719,
D6/610, 611, 596, 601-603, 616, 617,
D6/707.24, 707.19, 716, 702, 707,
D6/707.25, 368, 364, 366, 374, 375, 377,
D6/380, 334, 394; D25/102, 110, 119,
D25/123, 136, 38.1, 41.1, 108, 121, 122,
D25/164; 297/452.1, 452.11, 452.12,
297/452.14, 452.29, 452.31, 452.32,
297/452.36, 452.38, 452.46, 452.48,
297/463.2; D4/130; 5/663; 256/59
CPC A47C 1/024; A47C 1/035; A47C 1/032;
A47C 1/03255; A47C 1/16; A47C 1/12;
A47C 1/121; A47C 1/124; A47C 7/36;
A47C 7/004; A47C 7/056; A47C 7/563;
A47C 7/566; A47C 7/40; A47C 7/00;
A47C 7/42; A47C 7/44; A47C 3/026;
A47C 4/28; A47C 4/39; A47C 31/02;
A47C 27/00
See application file for complete search history.

- 4,256,287 A * 3/1981 Birmingham E04F 11/1836
144/348
 - D341,045 S * 11/1993 Barile D6/716.4
 - 5,527,097 A * 6/1996 Martin A47B 95/043
297/463.1
 - 5,649,688 A * 7/1997 Baker E04F 11/181
256/21
 - 5,788,224 A * 8/1998 Platt E04H 17/1421
256/19
 - D411,699 S * 6/1999 Bond D6/716
 - D413,216 S * 8/1999 Regan D6/716.4
- (Continued)

Primary Examiner — Rosemary K Tarcza
Assistant Examiner — Christy Nemeth
 (74) *Attorney, Agent, or Firm* — Lerner, David,
 Littenberg, Krumholz & Mentlik, LLP

(57) **CLAIM**

The ornamental design for a furniture edge, as shown and described.

DESCRIPTION

FIG. 1 is a top perspective view of a furniture edge showing my new design;
 FIG. 2 is a top plan view thereof;
 FIG. 3 is a bottom plan view thereof;
 FIG. 4 is a left side plan view thereof, the right side being a mirror image thereof; and,
 FIG. 5 is a front view thereof, the back being a mirror image thereof.

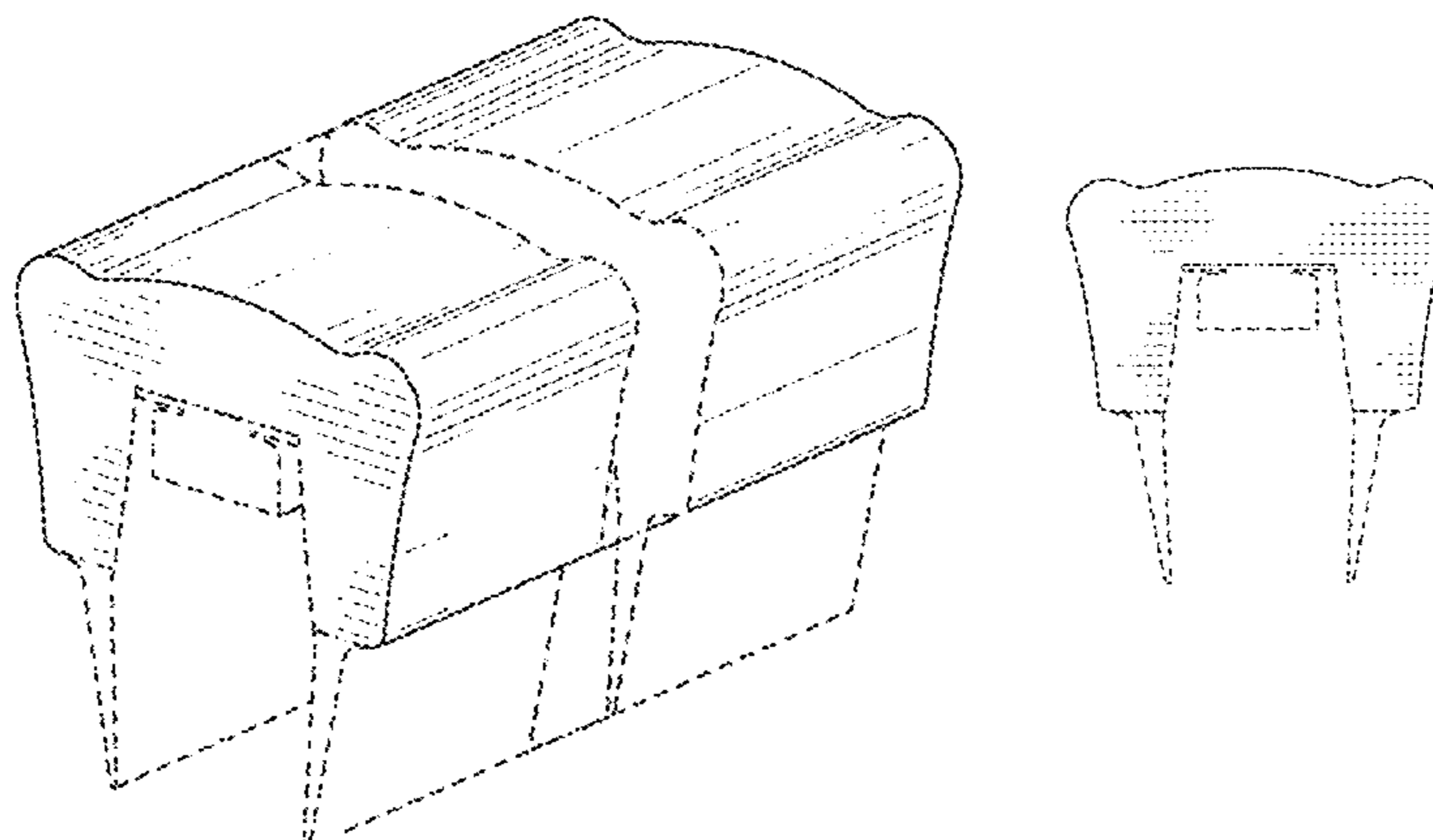
The dash-dash broken lines in the drawings are for the purpose of illustrating portions of the furniture edge that form no part of the claimed design. The dash-dot and dash-dot-dot broken lines in the drawings are for the purpose of illustrating the boundaries of the claimed design. The furniture edge is shown with a symbolic break in its length. The appearance of any portions of the furniture edge between the break lines forms no part of the claimed design.

1 Claim, 3 Drawing Sheets

(56) **References Cited**

U.S. PATENT DOCUMENTS

- 2,564,386 A * 8/1951 Webb A47B 95/04
16/DIG. 2
- D200,702 S * 3/1965 Huret D25/121



(56)

References Cited

U.S. PATENT DOCUMENTS

D413,393 S * 8/1999 Damratoski D25/38.1
 D413,743 S * 9/1999 Regan D6/716.4
 D417,567 S * 12/1999 Barile D6/716.4
 D419,022 S * 1/2000 Cadorette D25/119
 D433,587 S * 11/2000 Barile D25/119
 D444,243 S * 6/2001 Erwin D25/135
 6,378,831 B1 * 4/2002 Copeland, Jr. A47B 95/043
 108/27
 D463,261 S * 9/2002 Ursini D8/402
 D509,084 S * 9/2005 Barile, Jr. D6/716
 D536,098 S * 1/2007 Walker D25/38.1
 D548,363 S * 8/2007 Hein D25/38.1
 D551,775 S * 9/2007 McGinness D25/135
 D557,038 S * 12/2007 O'Hare D6/707.22
 D557,536 S * 12/2007 O'Hare D6/707.22
 D562,992 S * 2/2008 Szczekocki D25/121
 D604,070 S * 11/2009 McElmurry D6/716

D616,660 S * 6/2010 Kubryk D6/380
 7,998,551 B2 * 8/2011 Gasser A47B 95/043
 297/183.7
 8,152,235 B2 * 4/2012 McElmurry A47C 31/023
 248/345.1
 D661,813 S * 6/2012 Walker D25/38.1
 8,388,064 B2 * 3/2013 Bertolini A47C 7/445
 297/285
 D720,475 S * 12/2014 Gori D25/119
 D728,826 S * 5/2015 Cyphers D25/38.1
 D755,988 S * 5/2016 Walker D25/119
 D764,380 S * 8/2016 Conrad D12/317
 D765,009 S * 8/2016 Conrad D12/317
 D765,882 S * 9/2016 Deleu D25/122
 2005/0133777 A1 * 6/2005 Forbis E04F 11/1836
 256/59
 2015/0052684 A1 * 2/2015 Farrell A47D 15/008
 5/663

* cited by examiner

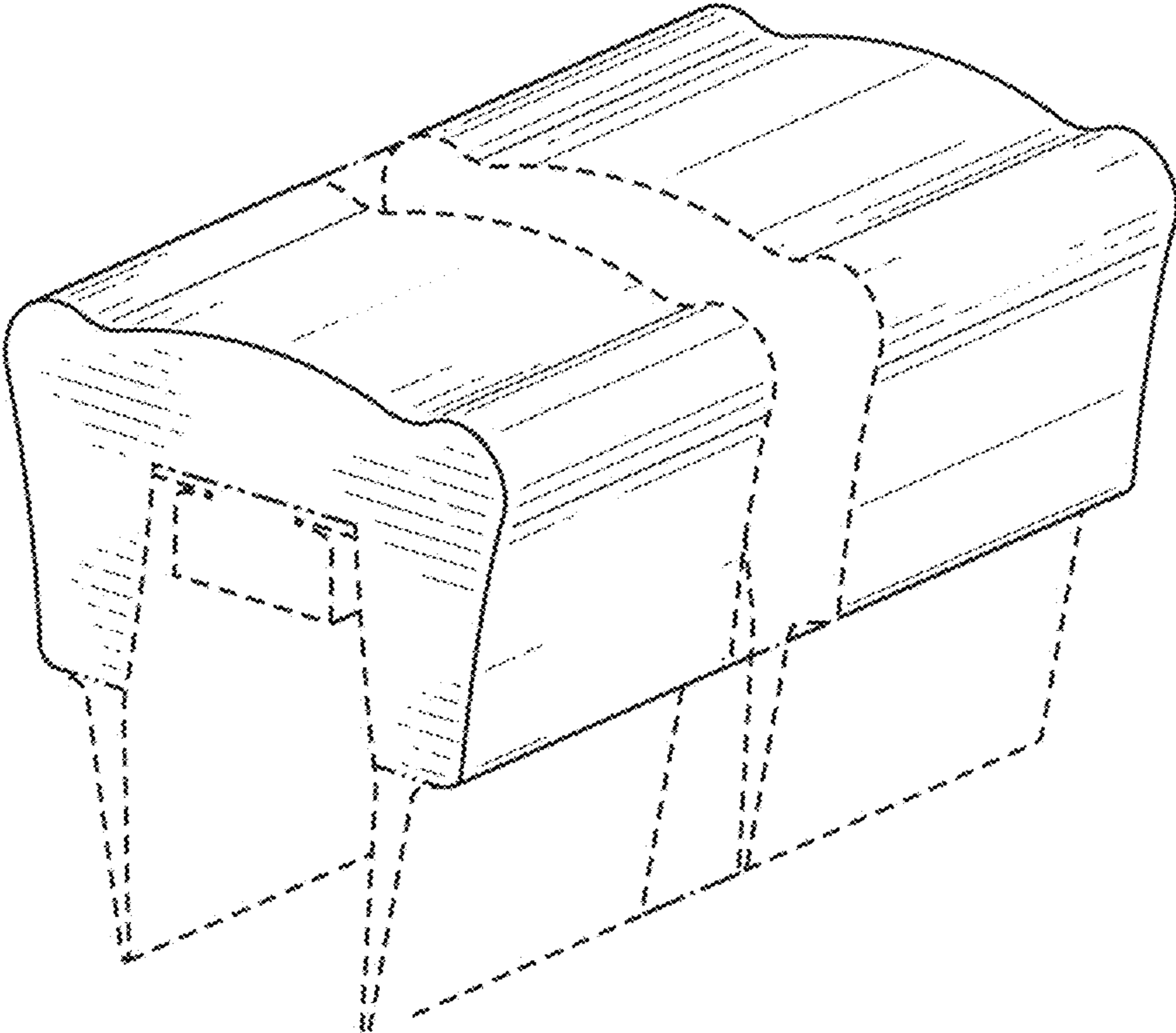


FIG. 1

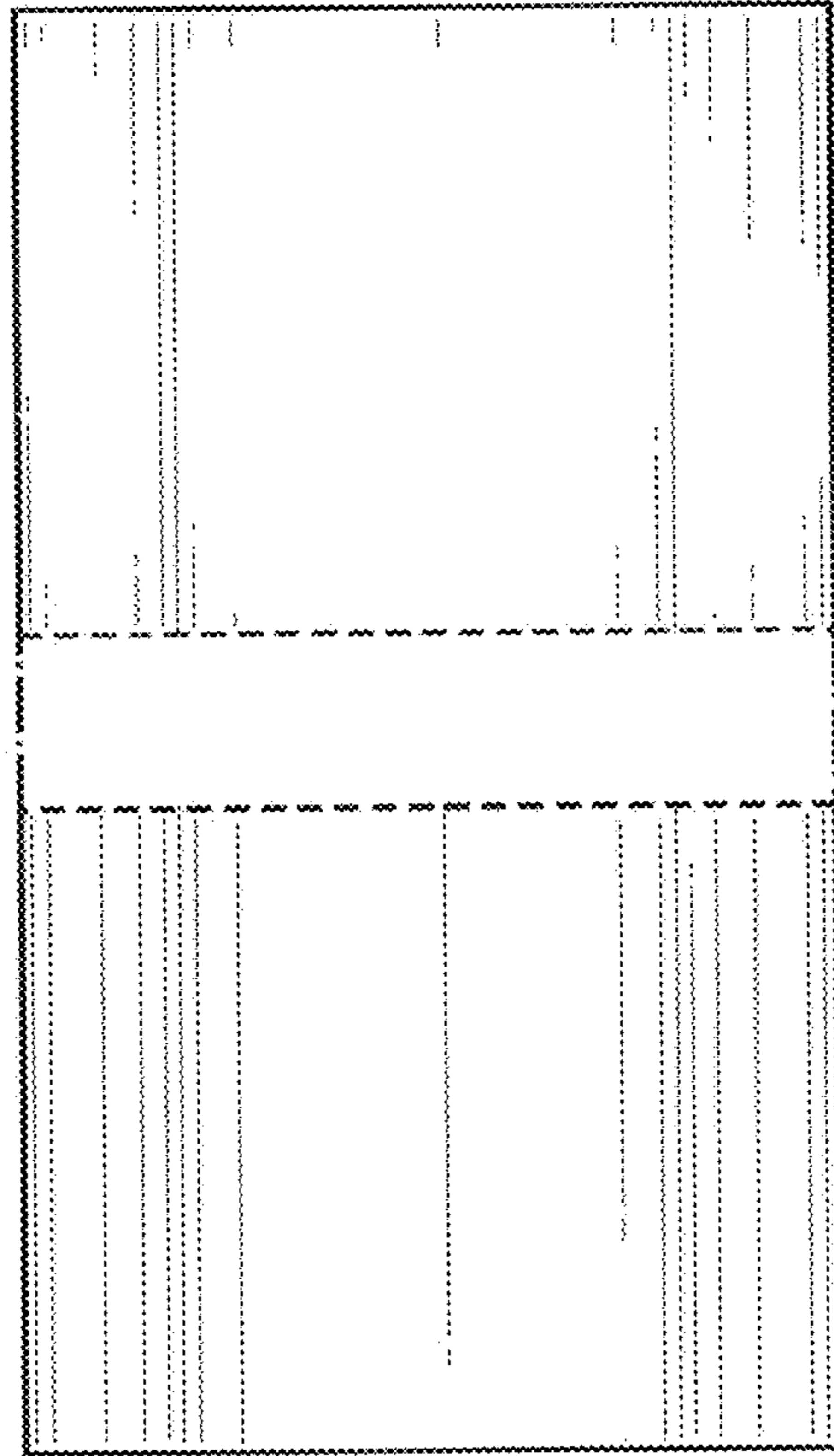


FIG. 2

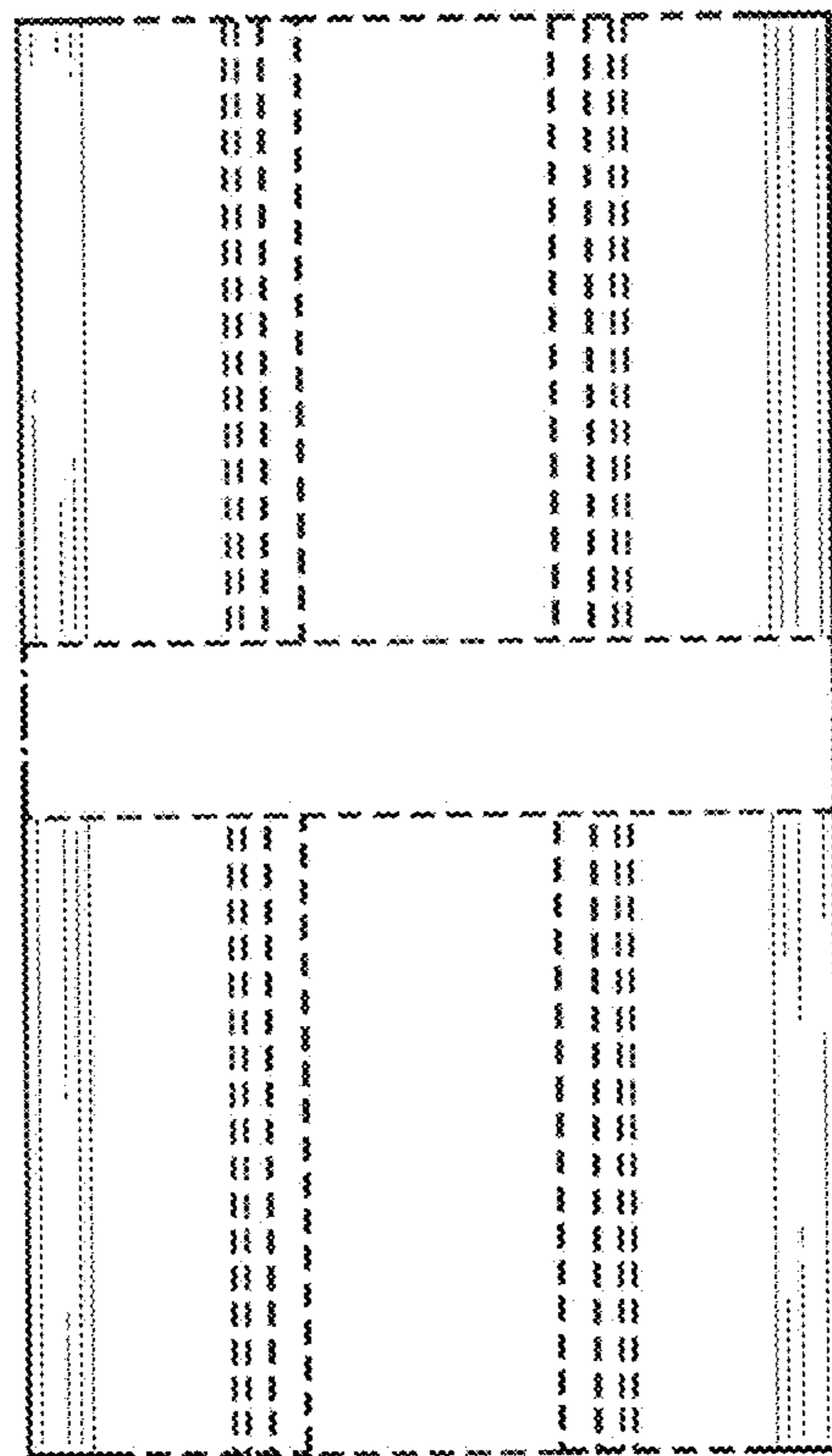


FIG. 3

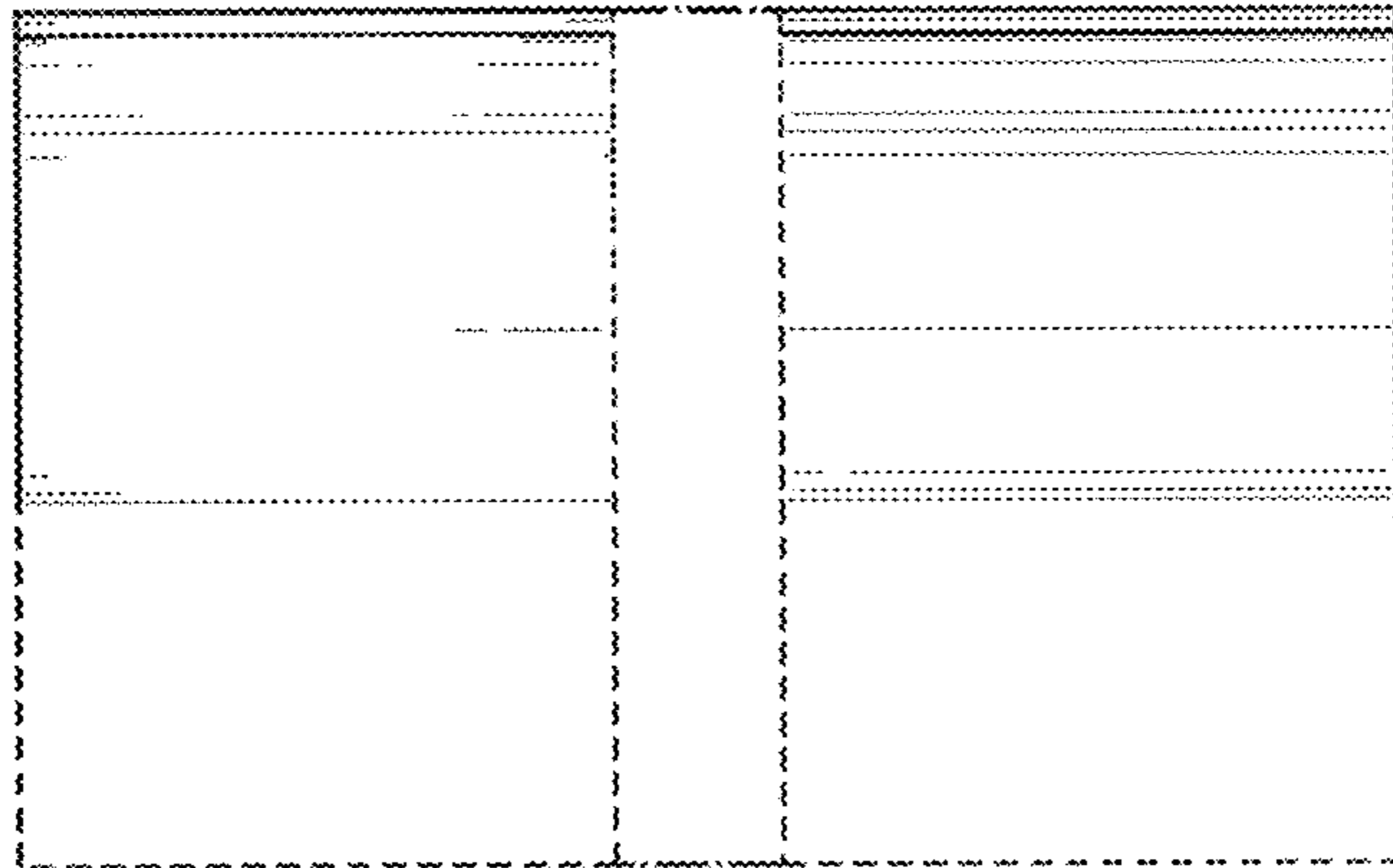


FIG. 4

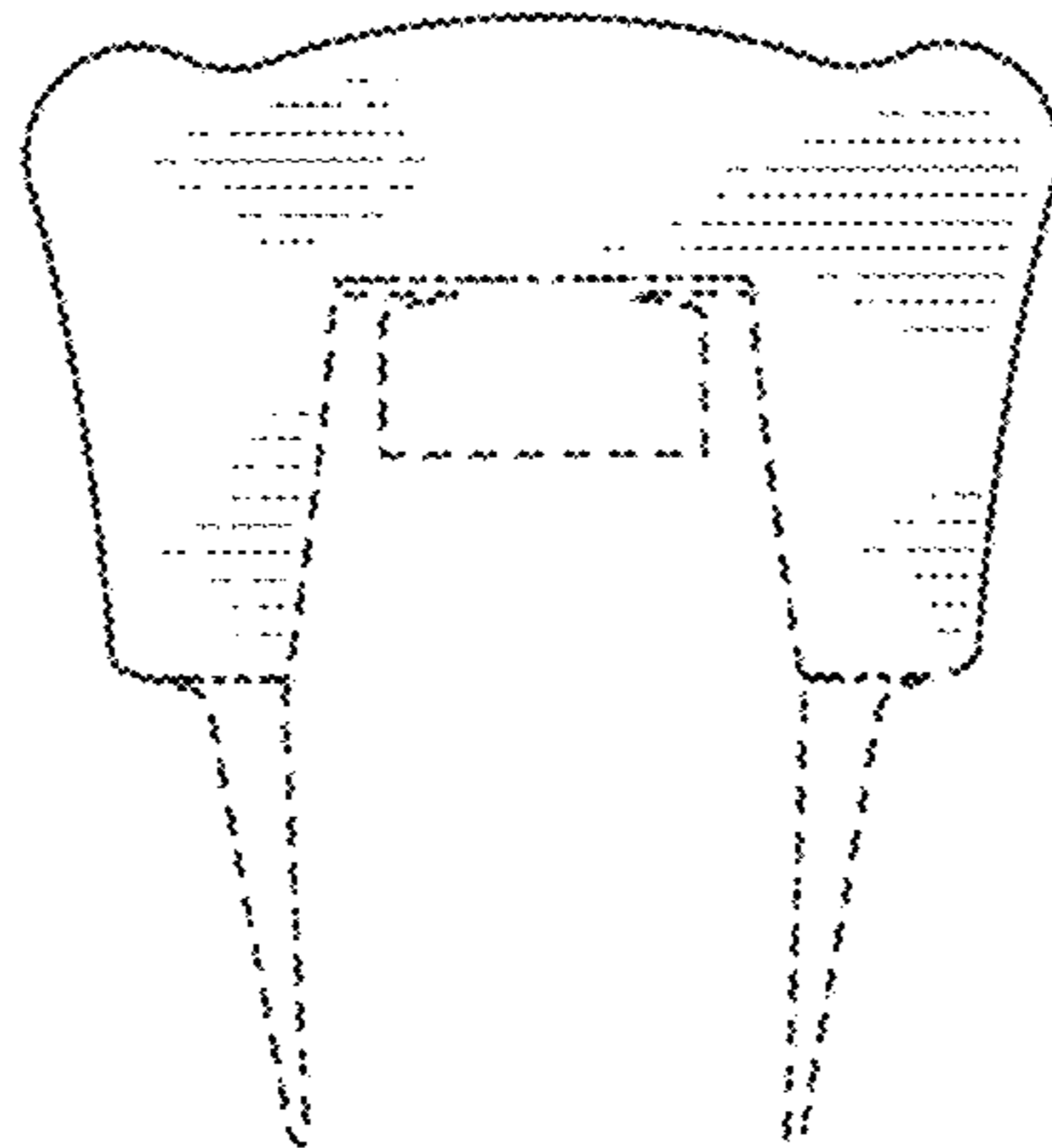


FIG. 5