

US00D806457S

(12) **United States Design Patent** (10) **Patent No.:** **US D806,457 S**  
**Shemer** (45) **Date of Patent:** **\*\* Jan. 2, 2018**

(54) **TABLE**

(71) Applicant: **KETER PLASTIC LTD.**, Herzelyia (IL)

(72) Inventor: **Eran Shemer**, Tel Aviv (IL)

(73) Assignee: **Keter Plastic Ltd.**, Herzelyia (IL)

(\*\*) Term: **15 Years**

(21) Appl. No.: **29/576,071**

(22) Filed: **Aug. 31, 2016**

(51) **LOC (11) Cl.** ..... **06-03**

(52) **U.S. Cl.**  
 USPC ..... **D6/691; D6/708**

(58) **Field of Classification Search**  
 USPC ..... D6/641, 656, 671, 675, 677, 685, 687, D6/690, 691, 691.1, 691.2, 691.3, 691.4, D6/691.5, 691.9, 693, 695, 695.2, 696, D6/696.1, 697, 697.1, 698, 699, 699.2, D6/703, 707, 708, 709, 709.2, 709.21  
 CPC ..... A47B 7/00; A47B 13/08; A47B 13/10; A47B 21/00; A47B 2009/006; A47B 11/00; A47B 2200/002  
 See application file for complete search history.

(56) **References Cited**

U.S. PATENT DOCUMENTS

D203,199 S	*	12/1965	Beckman	.....	D6/708
D203,448 S	*	1/1966	Klein	.....	D6/691
D249,859 S	*	10/1978	Schoeller	.....	D6/691
D261,840 S	*	11/1981	Kvasnicka	.....	D6/689
D263,910 S	*	4/1982	Robertson	.....	D6/691.1
D287,680 S	*	1/1987	Lonngren	.....	D6/691.1
D297,892 S	*	10/1988	Riggsby	.....	D6/656.1

D323,086 S	*	1/1992	Arcese	.....	D6/691.5
D342,631 S	*	12/1993	Geniele	.....	D6/692.1
D364,281 S	*	11/1995	Eason	.....	D6/349
D503,570 S	*	4/2005	Anderson	.....	D6/349
D668,894 S	*	10/2012	Denby	.....	D6/708
D670,105 S	*	11/2012	Jespersen	.....	D6/691
D756,693 S	*	5/2016	Shah	.....	D6/684
D774,334 S	*	12/2016	Lawrence	.....	D6/698
D774,335 S	*	12/2016	Lawrence	.....	D6/698
D783,330 S	*	4/2017	Hiyoshi	.....	D6/708
D784,740 S	*	4/2017	Chipperfield	.....	D6/337
D790,262 S	*	6/2017	Akana	.....	D6/691

\* cited by examiner

*Primary Examiner* — Mary Ann Calabrese  
*Assistant Examiner* — Sloan Rozin

(74) *Attorney, Agent, or Firm* — Vorys, Sater, Seymour and Pease LLP

(57) **CLAIM**

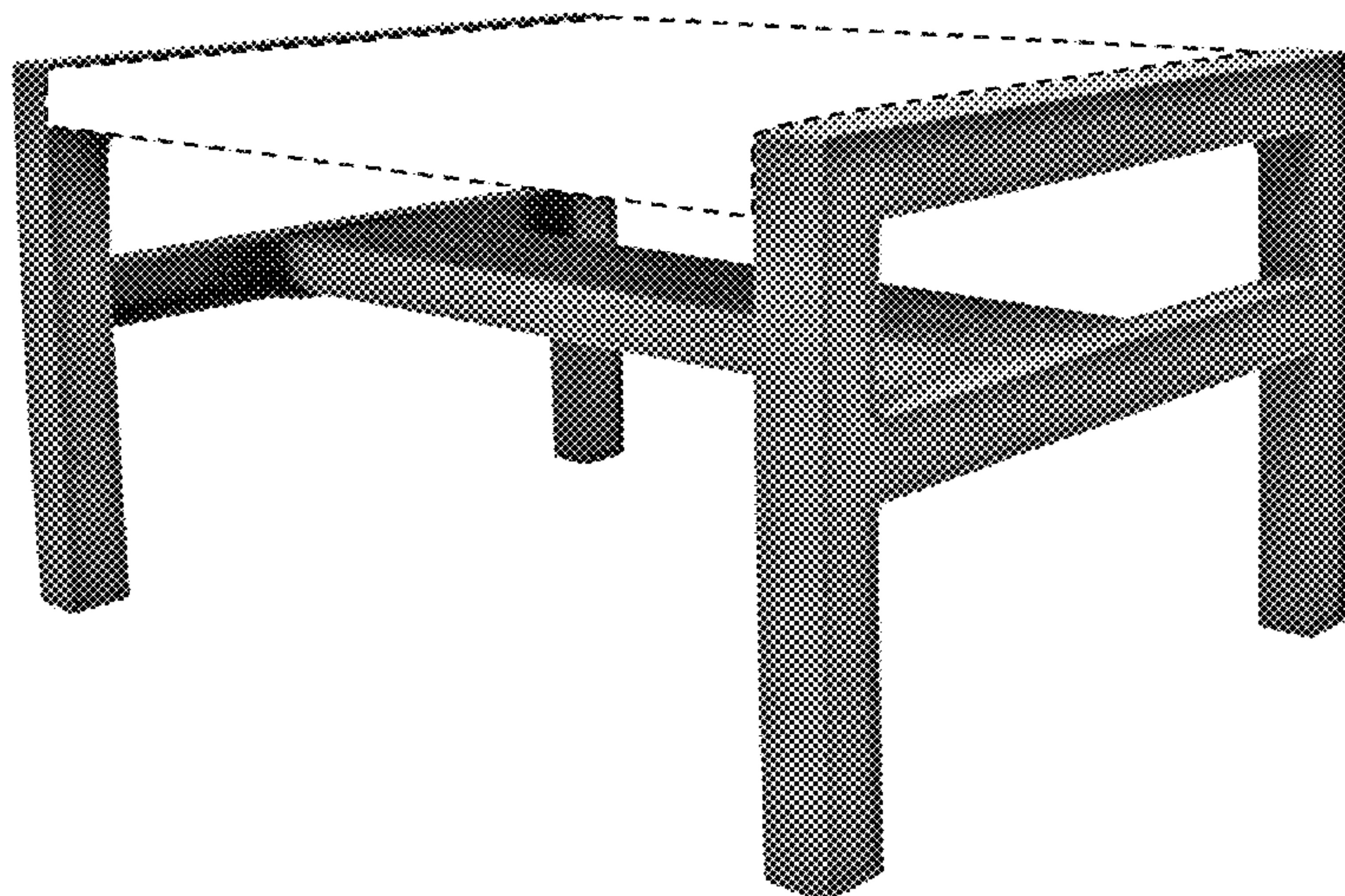
The ornamental design for a table, as shown and described.

**DESCRIPTION**

FIG. 1 is a perspective view of a design for a table; FIG. 2 is a front elevational view of a design for a table as seen in FIG. 1; rear elevational view being identical; FIG. 3 is a side elevational view of a design for a table as seen in FIG. 1; other side elevational view being identical; FIG. 4 is a top plan view of a design for a table as seen in FIG. 1; and, FIG. 5 is a bottom plan view of a design for a table as seen in FIG. 1.

The broken lines shown in the drawings depict boundaries and the areas contained within them form no part of the claimed design.

**1 Claim, 5 Drawing Sheets**



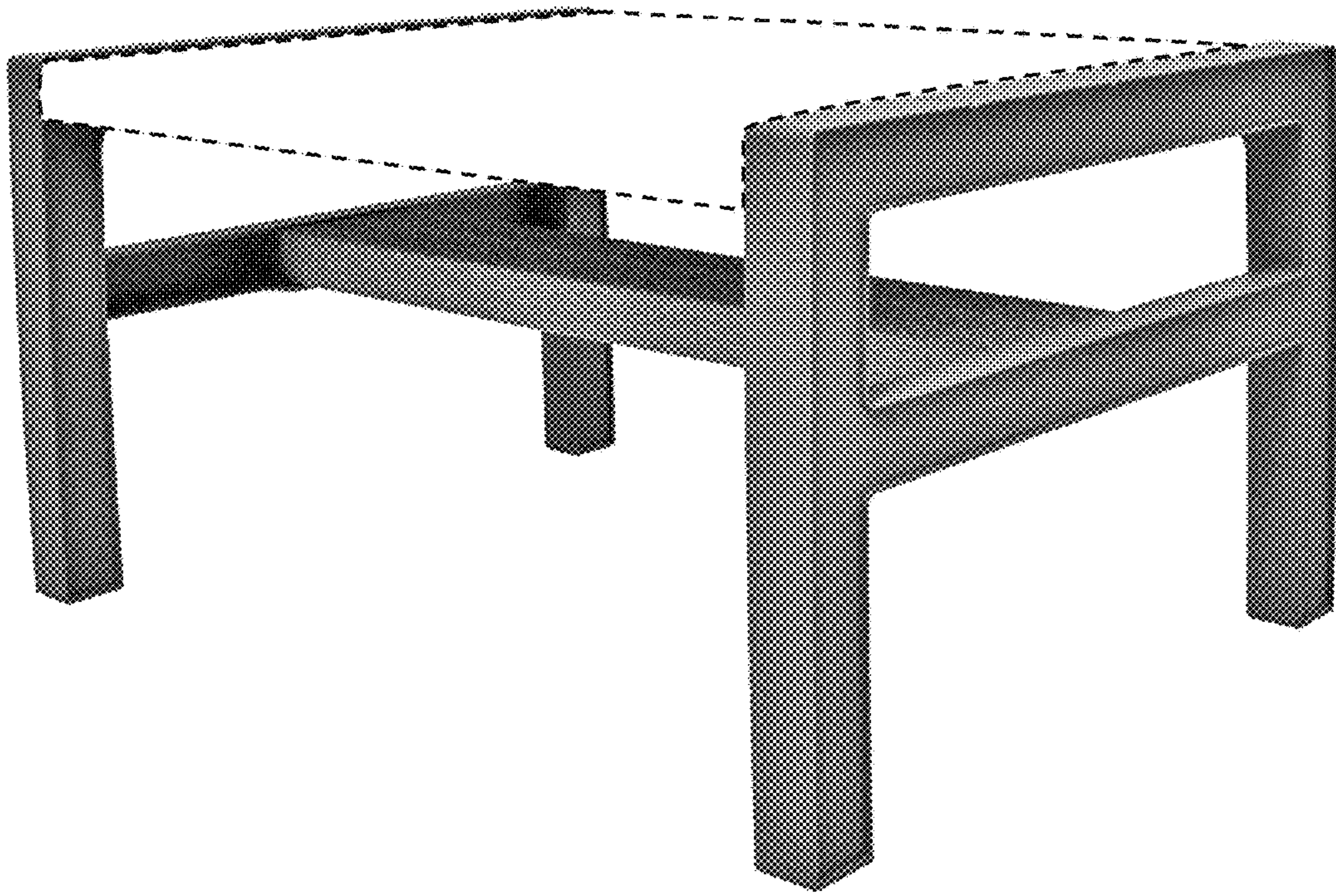


FIG. 1



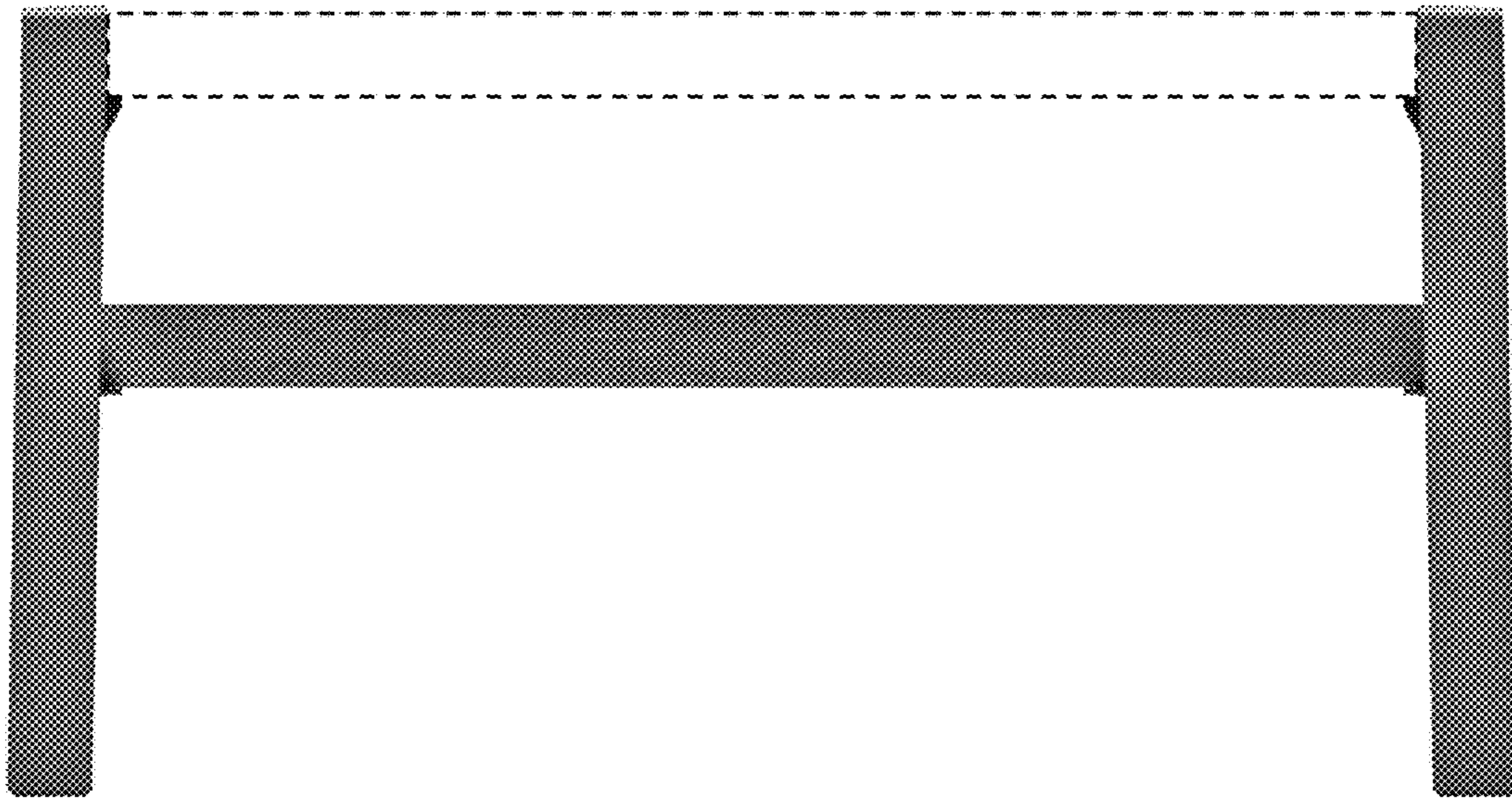


FIG. 2

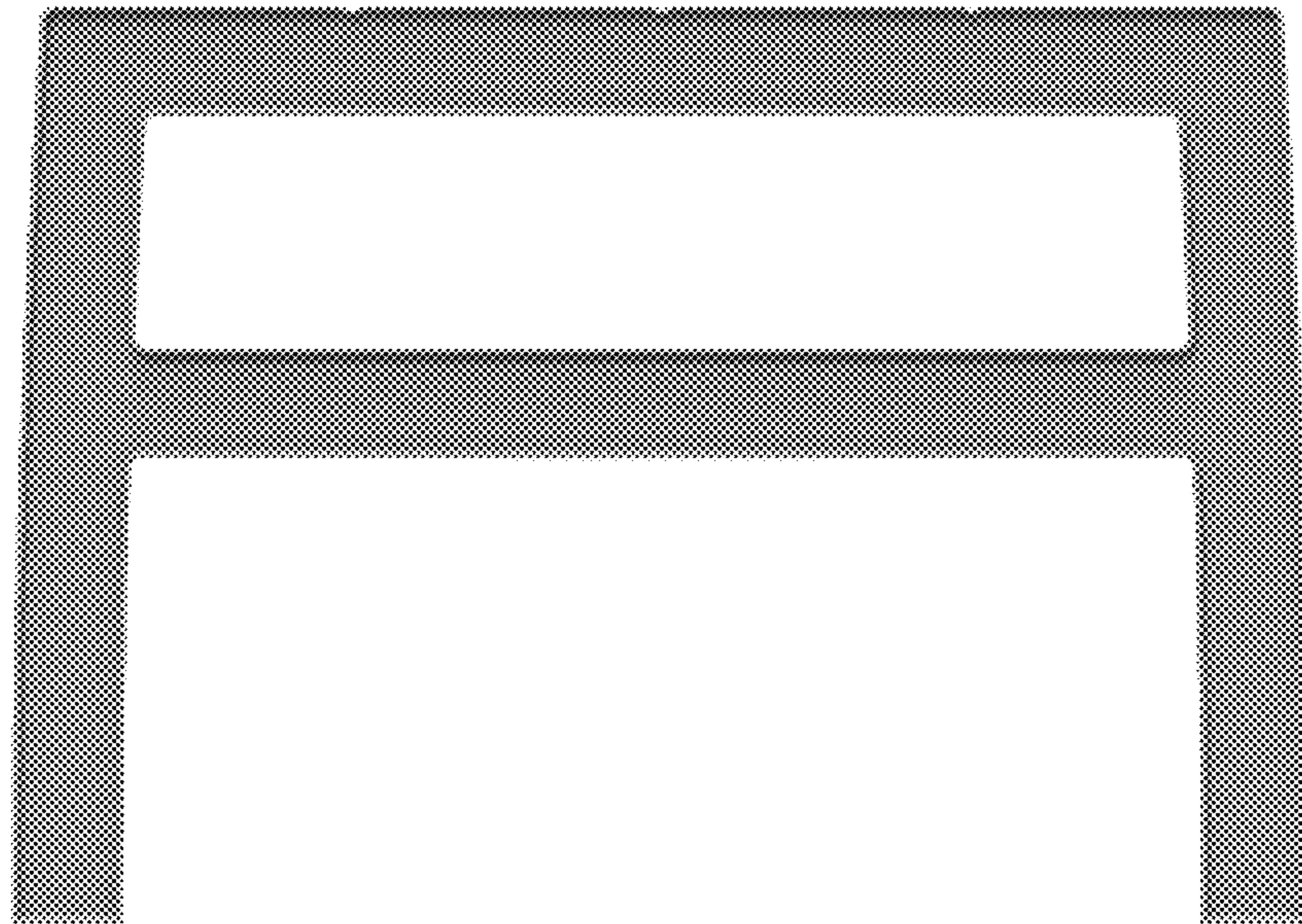


FIG. 3



FIG. 4



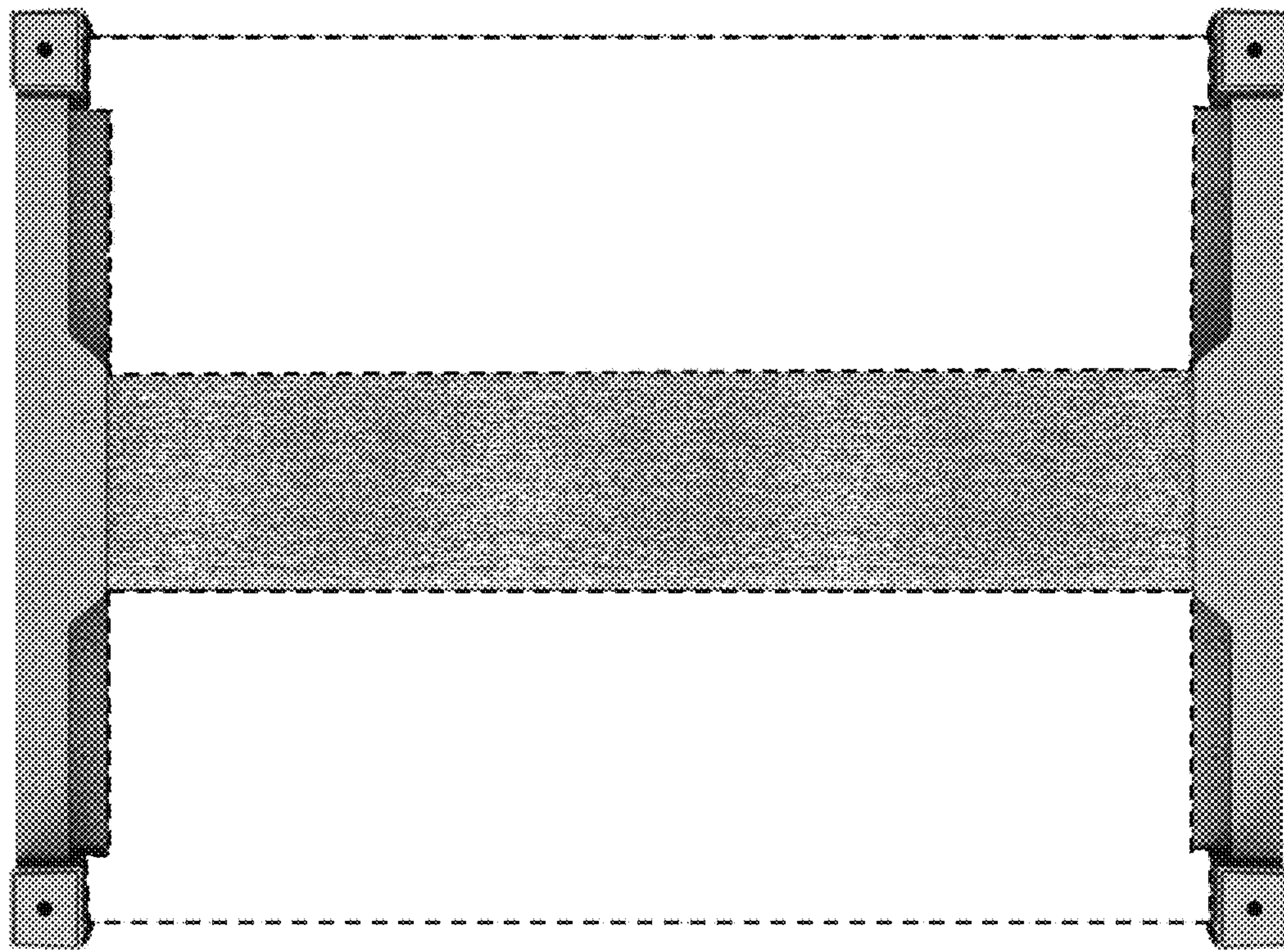


FIG. 5