



US00D806456S

(12) **United States Design Patent** (10) **Patent No.:** **US D806,456 S**  
**Liebers et al.** (45) **Date of Patent:** **\*\* Jan. 2, 2018**

(54) **EYEGLASS DISPLAY**  
(71) Applicant: **Diversified Products, Inc.**,  
Collegetown, PA (US)  
(72) Inventors: **Steven B. Liebers**, Collegetown, PA  
(US); **Emile P. Lemay, III**,  
Collegetown, PA (US)  
(73) Assignee: **Diversified Products, Inc.**,  
Collegetown, PA (US)  
(\*\*) Term: **15 Years**  
(21) Appl. No.: **29/586,147**  
(22) Filed: **Dec. 1, 2016**  
(51) **LOC (11) Cl.** ..... **06-06**  
(52) **U.S. Cl.**  
USPC ..... **D6/682.3**  
(58) **Field of Classification Search**  
USPC ..... D6/672, 673, 675-675.1, 675.3, 675.4,  
D6/680, 680.1, 680.2, 682, 682.1, 682.2,  
D6/682.3  
CPC ..... A47B 43/00; A47B 49/00; A47F 1/00  
See application file for complete search history.

7,188,739 B1 3/2007 Raile  
D566,989 S 4/2008 Mason  
D572,041 S \* 7/2008 Woolnough ..... D6/678  
D573,809 S \* 7/2008 Levy ..... D6/682.6  
D582,175 S \* 12/2008 Levy ..... D6/680.2  
D615,774 S 5/2010 Raile  
D662,332 S \* 6/2012 Levy ..... D6/671.1  
D682,582 S \* 5/2013 Levy ..... D6/680.2  
D752,370 S \* 3/2016 Mchatet ..... D6/675  
D755,545 S \* 5/2016 Trinh ..... D6/672  
D778,640 S \* 2/2017 Martell ..... D6/675  
D783,321 S \* 4/2017 Levy ..... D6/680.2  
2007/0267369 A1 11/2007 Felkowitz

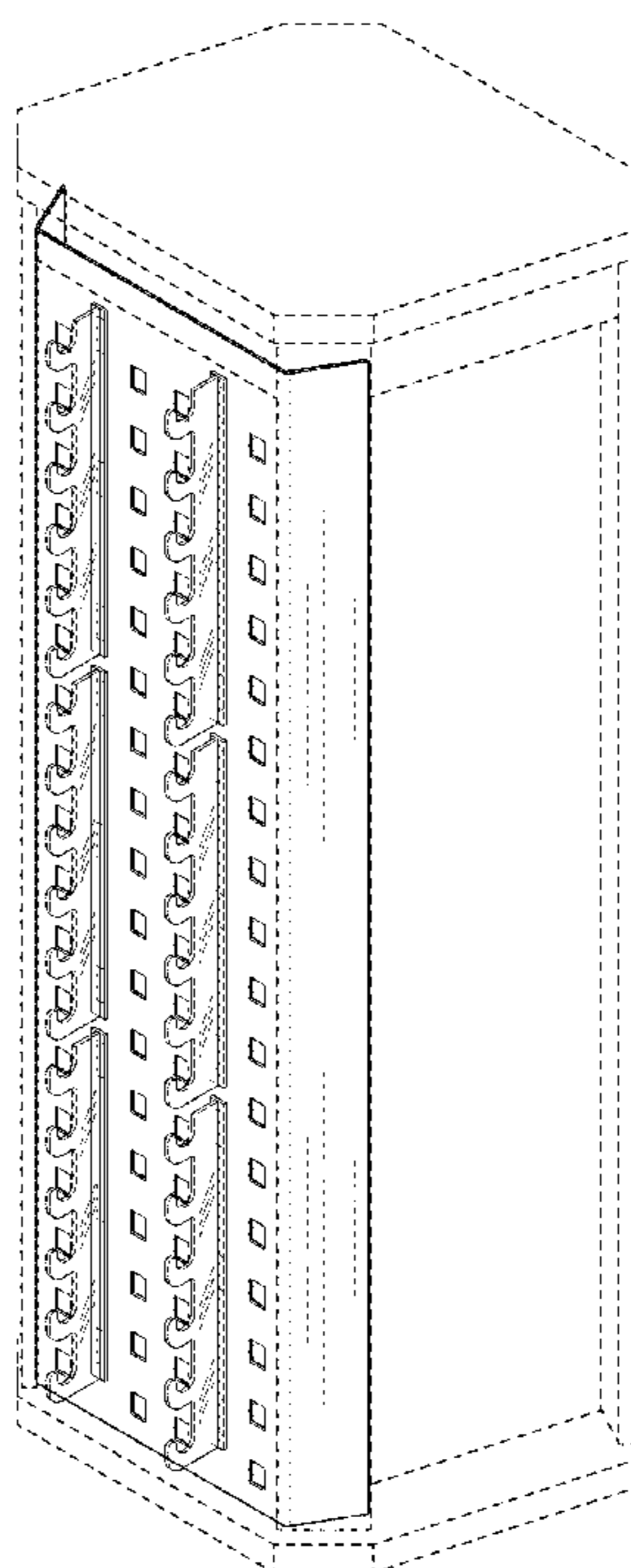
\* cited by examiner  
*Primary Examiner* — Kelley Donnelly  
(74) *Attorney, Agent, or Firm* — Caesar Rivise, PC

(57) **CLAIM**  
The ornamental design for the eyeglass display, as shown  
and described.

**DESCRIPTION**  
FIG. 1 is an isometric view of an eyeglass display showing  
my design;  
FIG. 2 is a front view of the eyeglass display of FIG. 1;  
FIG. 3 is a rear view of the eyeglass display of FIG. 1;  
FIG. 4 is a right side view of the eyeglass display of FIG. 1;  
FIG. 5 is a left side view of the eyeglass display of FIG. 1;  
FIG. 6 is a top view of eyeglass display of FIG. 1; and,  
FIG. 7 is a bottom view of the eyeglass display of FIG. 1.  
The dashed lines shown in the figures represent environ-  
mental subject matter and form no part of the claimed  
design.

(56) **References Cited**  
U.S. PATENT DOCUMENTS  
3,891,092 A \* 6/1975 Surette ..... A47F 5/04  
211/163  
D262,754 S \* 1/1982 Merl ..... D6/680.2  
D401,083 S \* 11/1998 Woodward ..... D6/680  
D538,555 S 3/2007 Raile

**1 Claim, 4 Drawing Sheets**



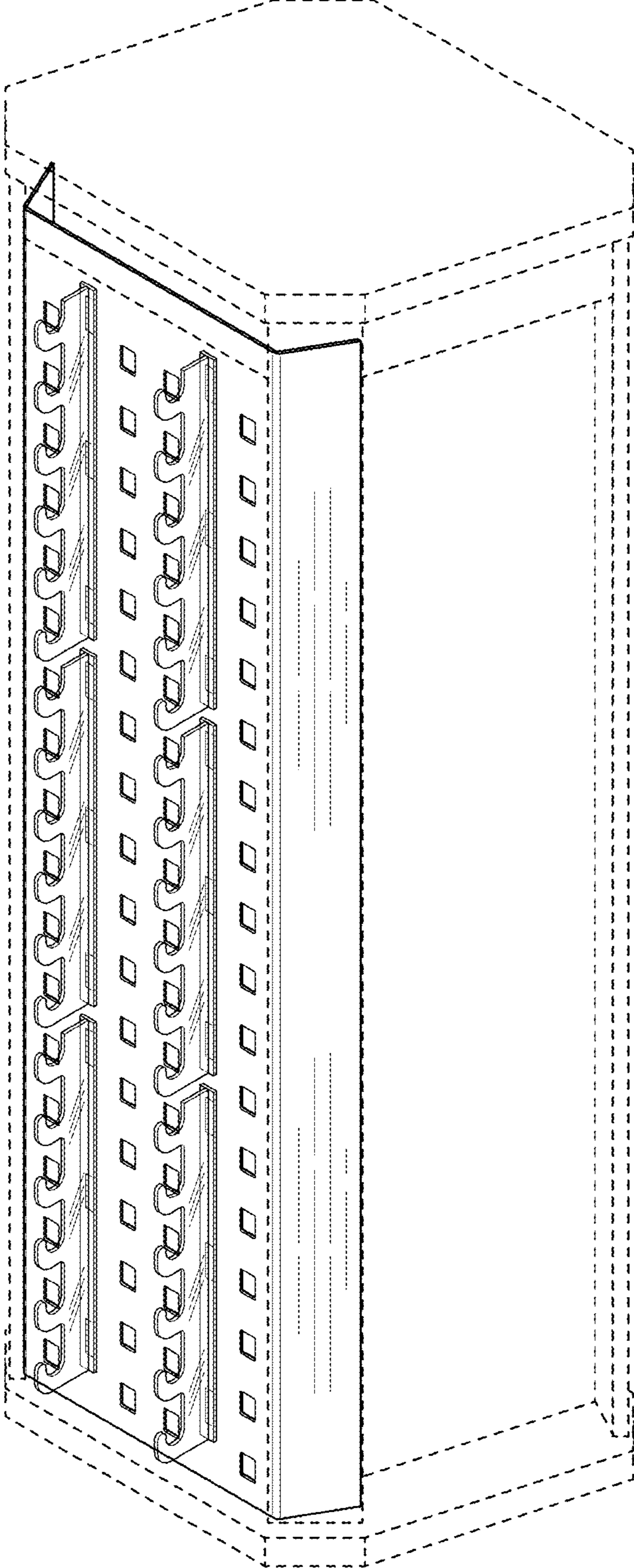


FIG. 1

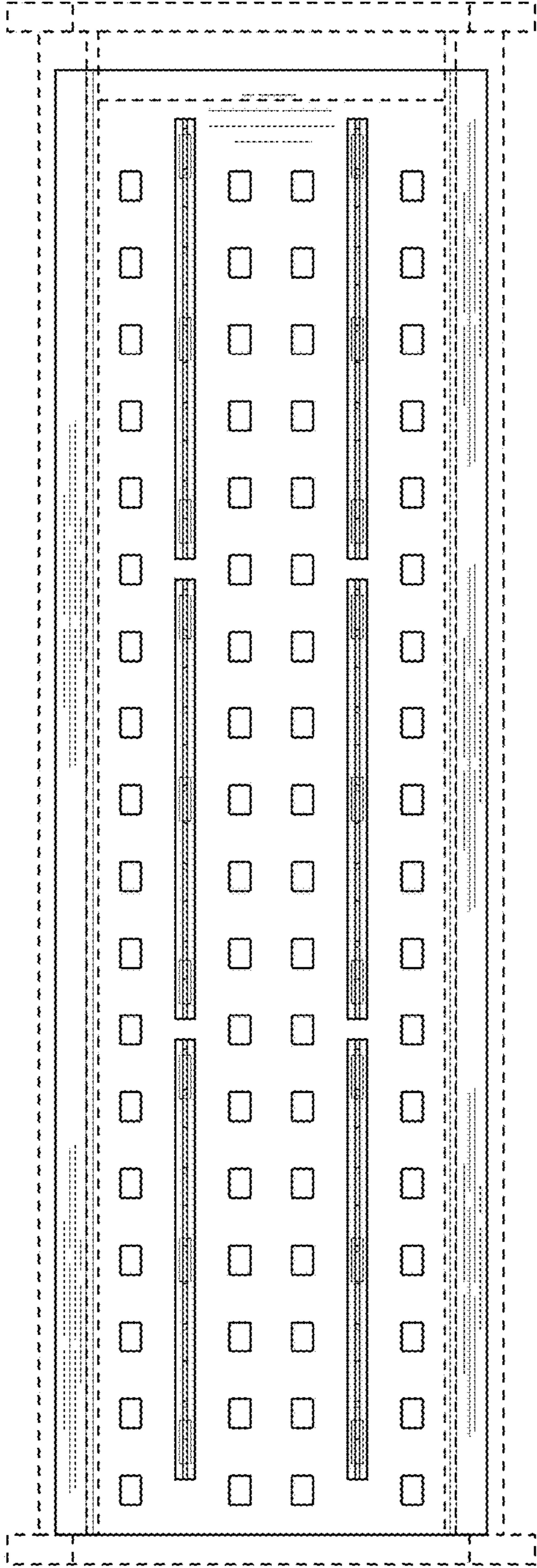


FIG. 2

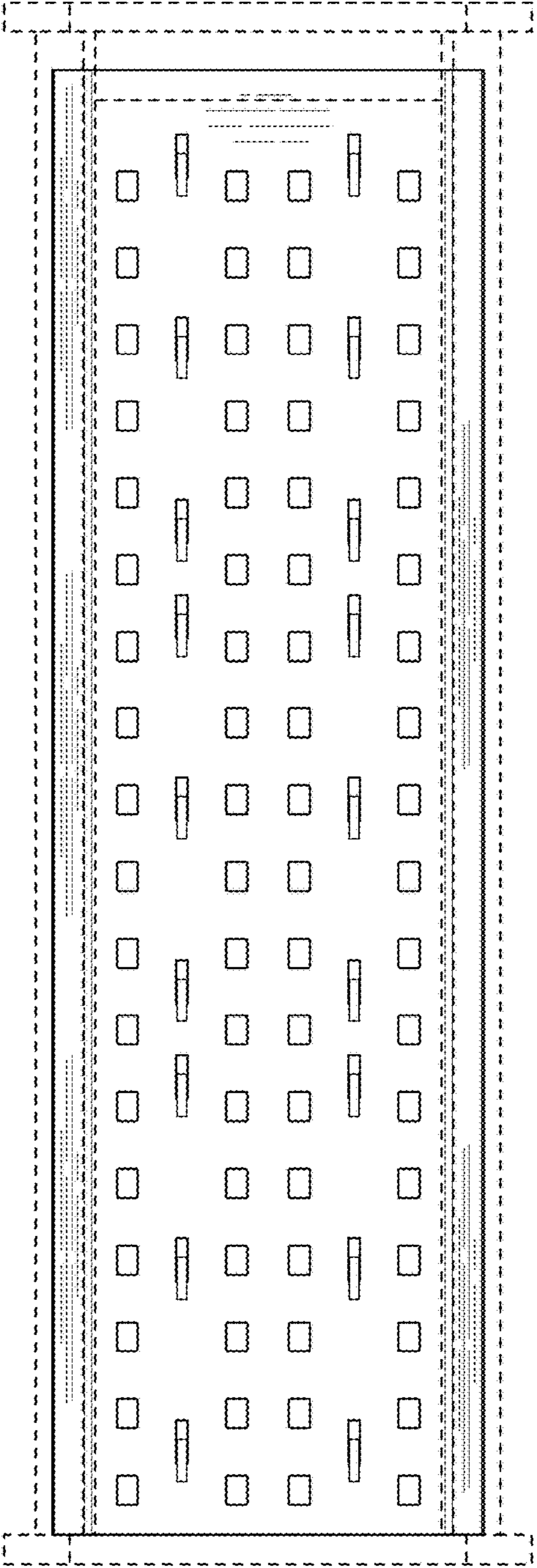


FIG. 3



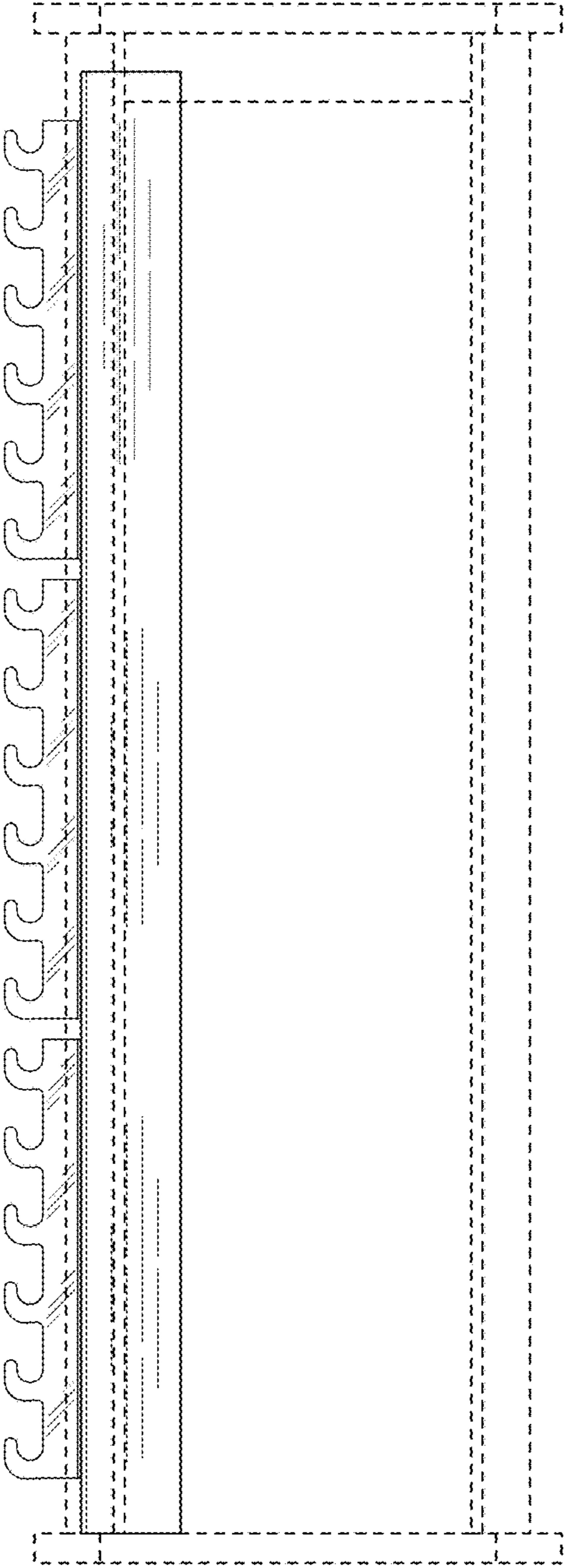


FIG. 4

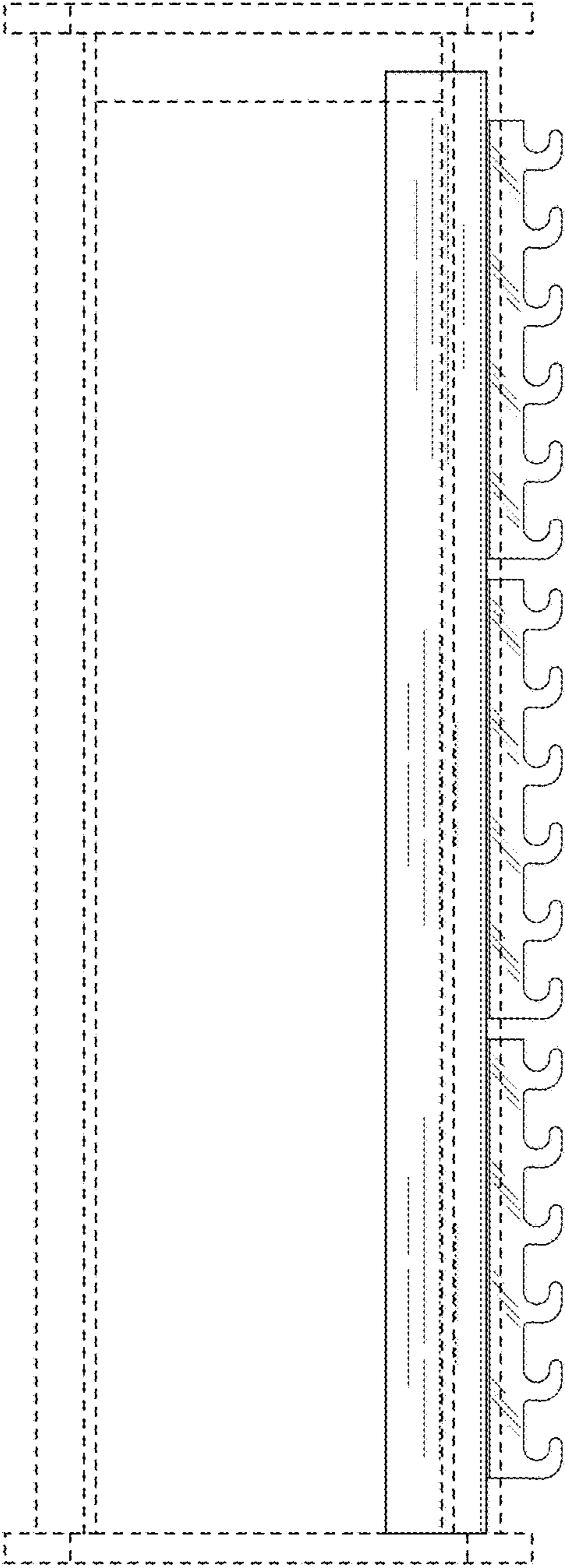


FIG. 5

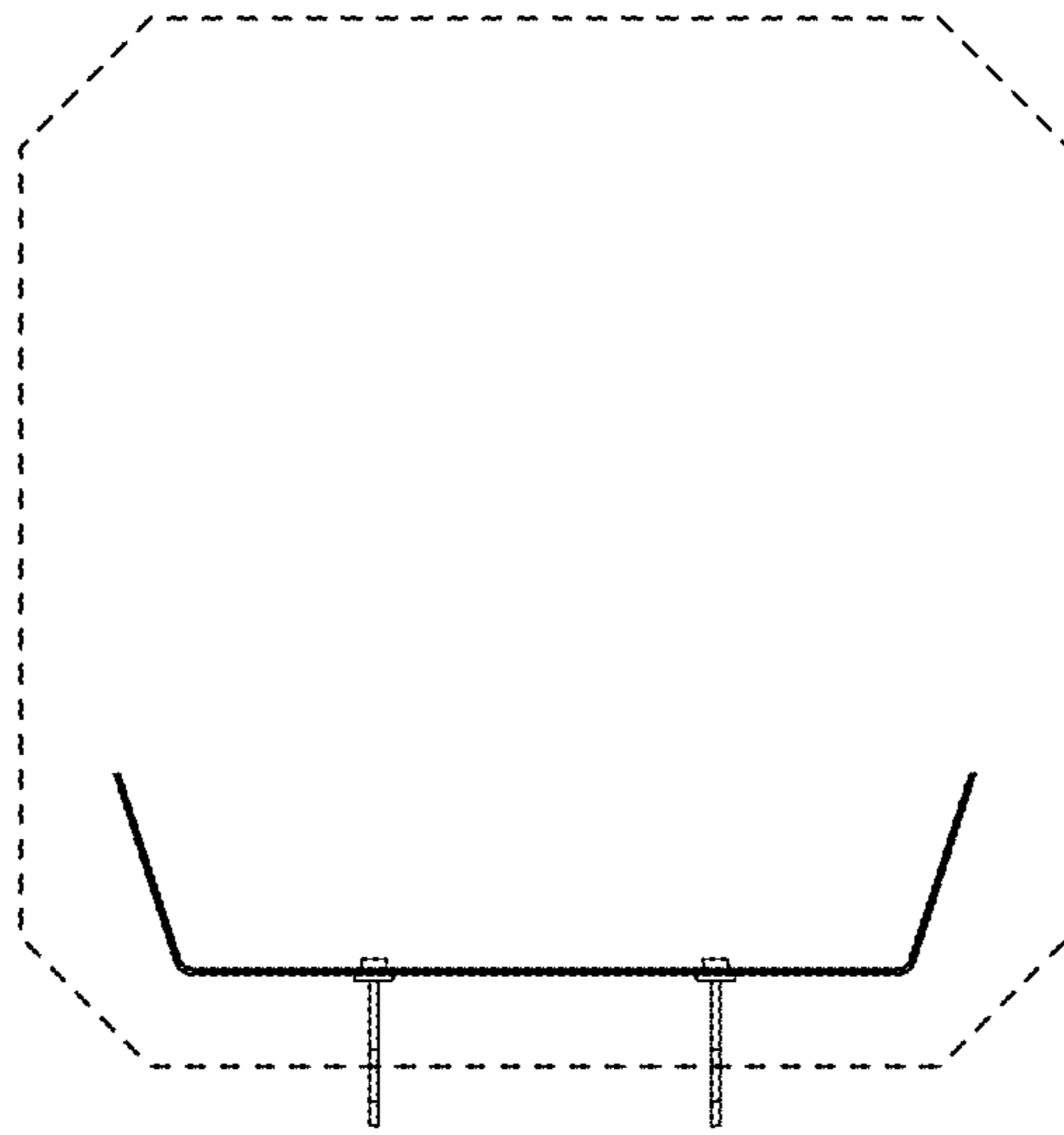


FIG. 6

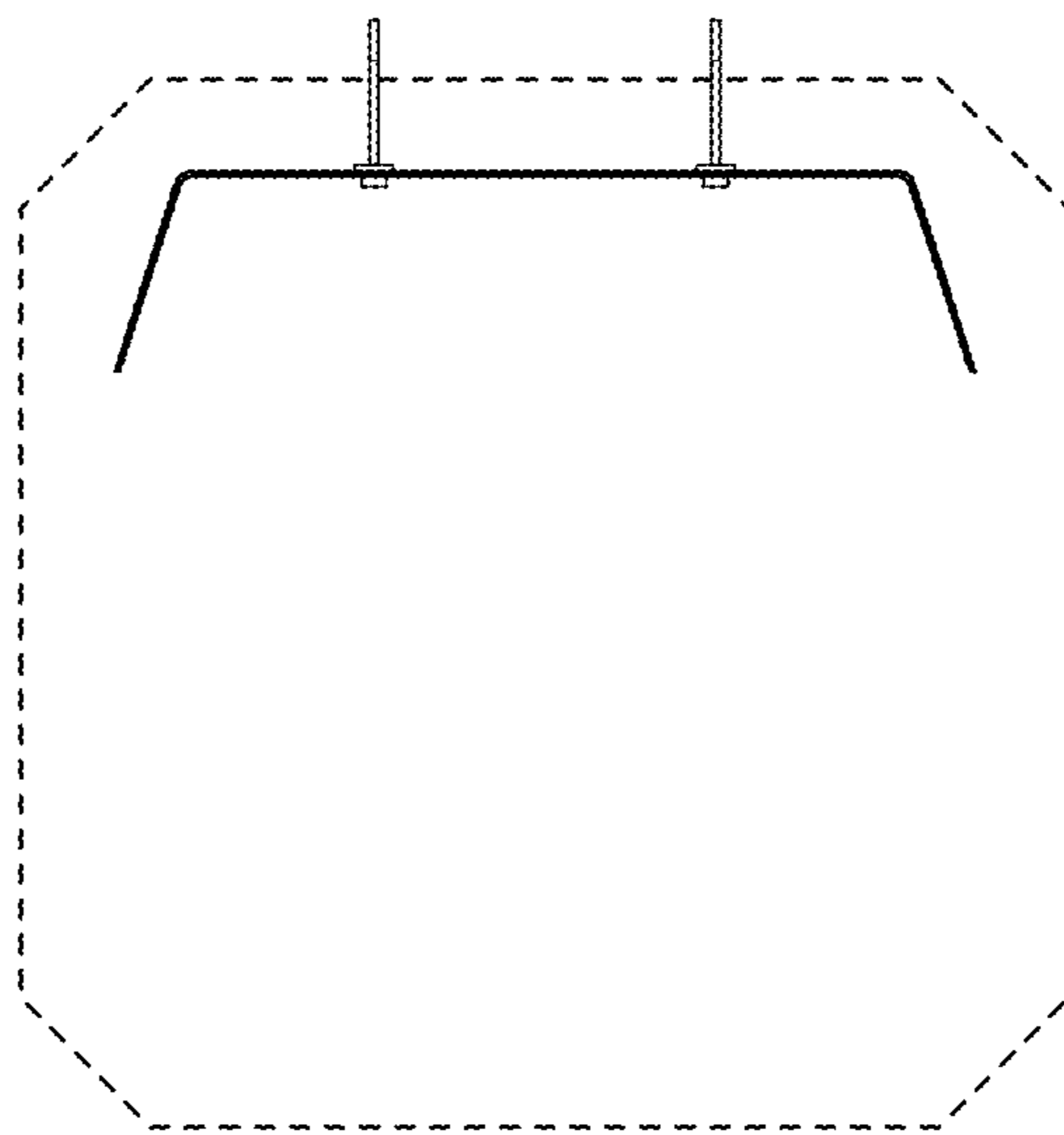


FIG. 7