



US00D806455S

(12) **United States Design Patent** (10) **Patent No.:** **US D806,455 S**
Hendren (45) **Date of Patent:** **** Jan. 2, 2018**

(54) **HIGH SECURITY MERCHANDISE DISPLAY STAND**

8,711,553 B2 4/2014 Trinh et al.
D731,059 S * 6/2015 Hoelbl D24/150
D748,724 S * 2/2016 Chung D18/53
D749,671 S * 2/2016 Chung D18/53
2014/0226298 A1 8/2014 Palmer et al.
2015/0300050 A1 10/2015 Van Balen

(71) Applicant: **InVue Security Products Inc.**,
Charlotte, NC (US)

(72) Inventor: **Jeffrey A. Hendren**, Matthews, NC
(US)

FOREIGN PATENT DOCUMENTS

(73) Assignee: **InVue Security Products Inc.**,
Charlotte, NC (US)

WO 2012137007 A1 10/2012
WO 2014078966 A1 5/2014
WO 2015026918 2/2015

(**) Term: **15 Years**

* cited by examiner

(21) Appl. No.: **29/549,413**

Primary Examiner — Kelley Donnelly

(22) Filed: **Dec. 22, 2015**

(74) *Attorney, Agent, or Firm* — InVue Security Products Inc.

(51) **LOC (11) Cl.** **06-06**

(57) **CLAIM**

(52) **U.S. Cl.**
USPC **D6/682.3**

I claim the ornamental design for a high security merchandise display stand, as shown and described.

(58) **Field of Classification Search**

DESCRIPTION

USPC D6/672, 675, 675.4, 682, 682.3; D8/349,
D8/354; D14/383

CPC Y10S 248/00; F16M 11/22; F16M 13/02;
F16M 2200/08

See application file for complete search history.

FIG. 1 is a perspective view of a high security merchandise display stand showing my design;
FIG. 2 is a right side view thereof;
FIG. 3 is a left side thereof;
FIG. 4 is front view thereof;
FIG. 5 is rear view thereof;
FIG. 6 is a top view thereof; and,
FIG. 7 is a bottom view thereof.

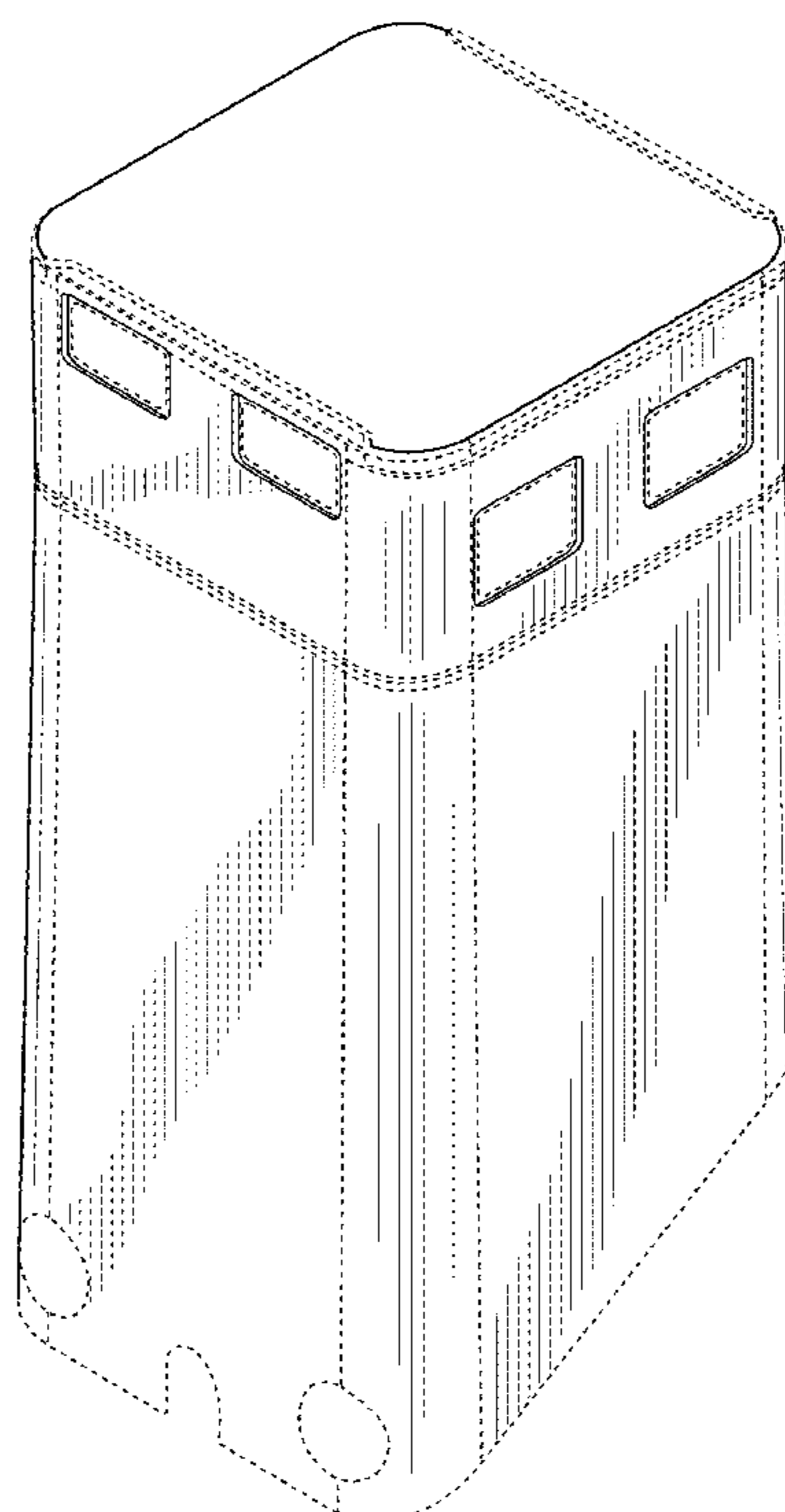
(56) **References Cited**

U.S. PATENT DOCUMENTS

D254,998 S * 5/1980 Espeseth D6/700
D268,150 S * 3/1983 Hauser D6/675.4
D293,173 S * 12/1987 Chester D13/163
D686,852 S * 7/2013 Lalo D6/675.4
D698,250 S * 1/2014 Wade D9/435

The broken lines are directed to environment and are for illustrative purposes only. The broken lines form no part of the claimed design.

1 Claim, 6 Drawing Sheets



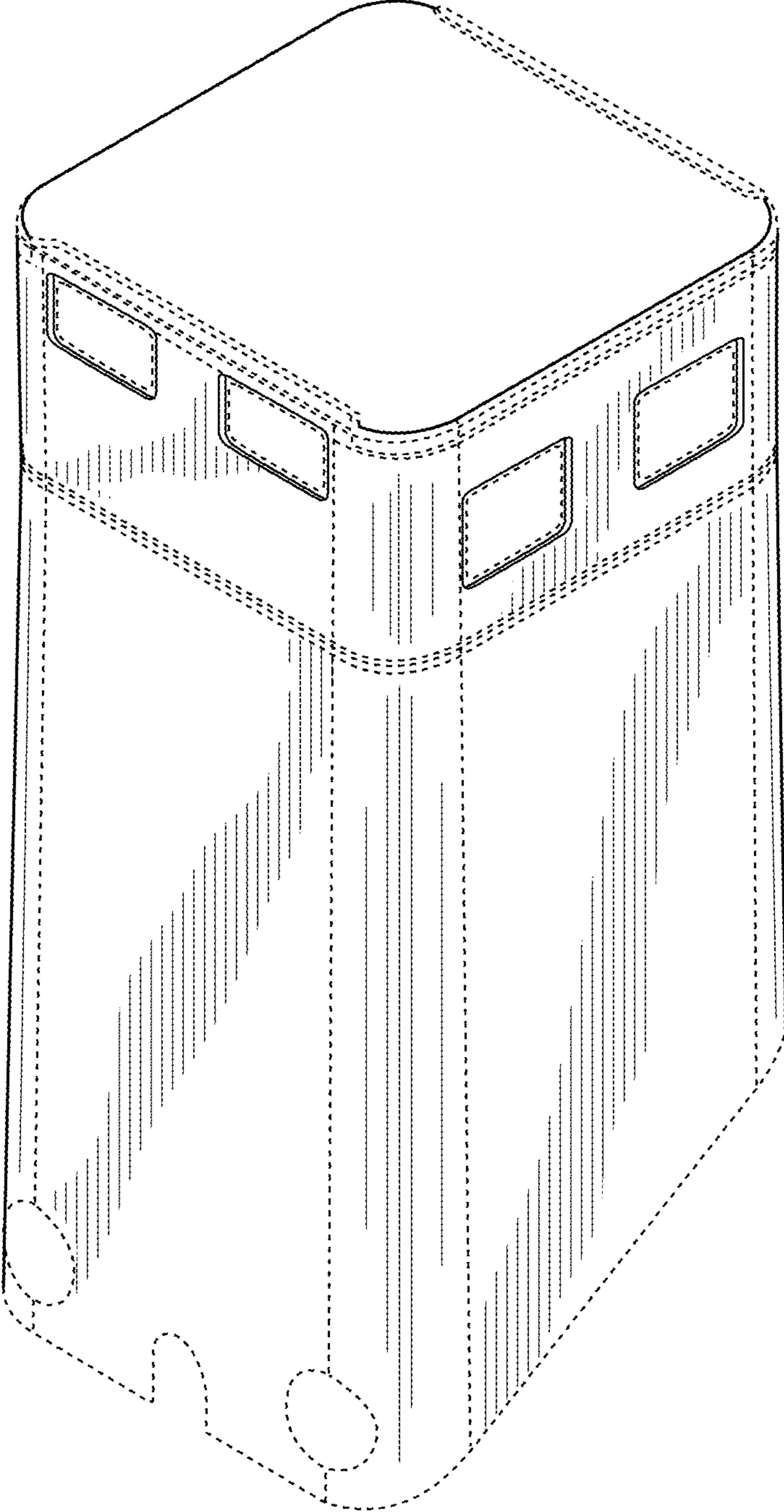


FIG. 1

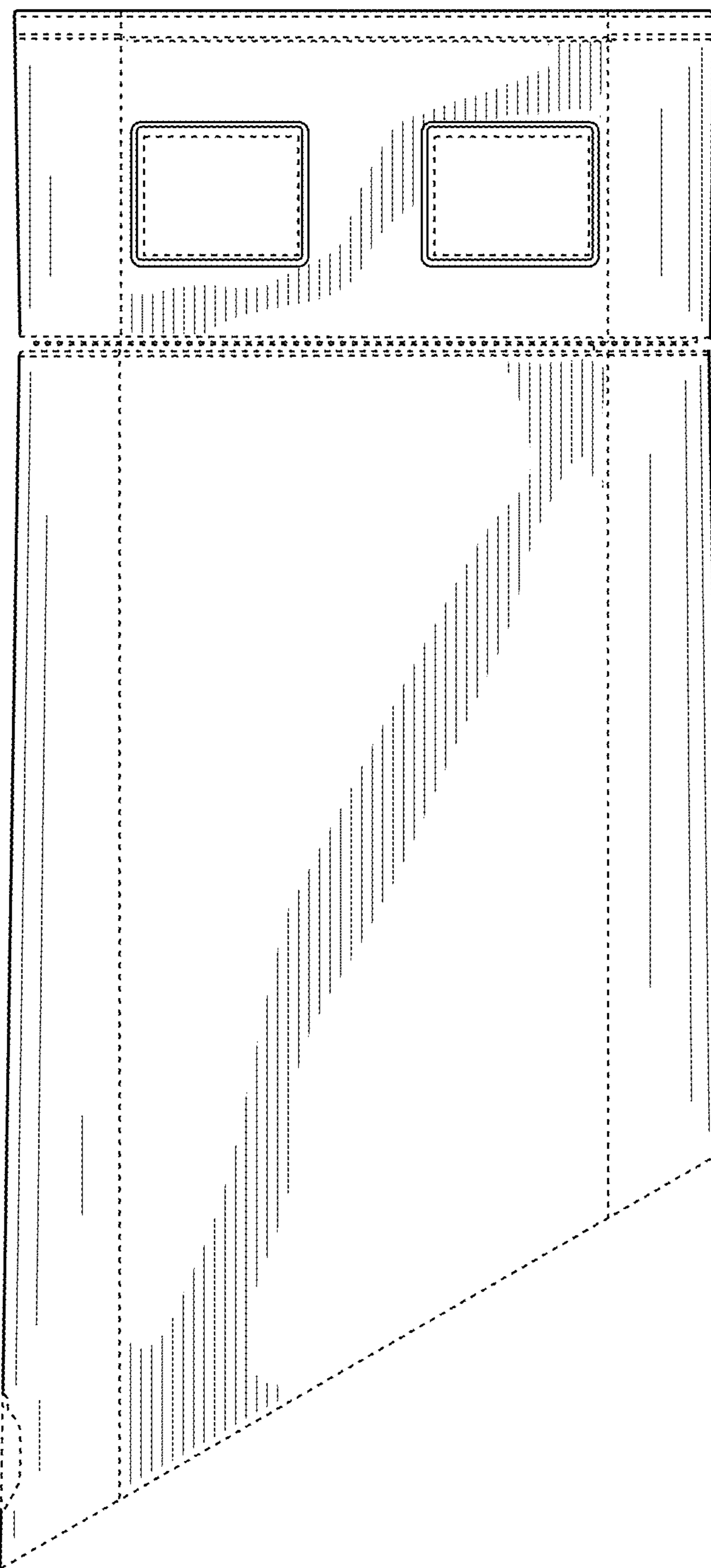


FIG. 2

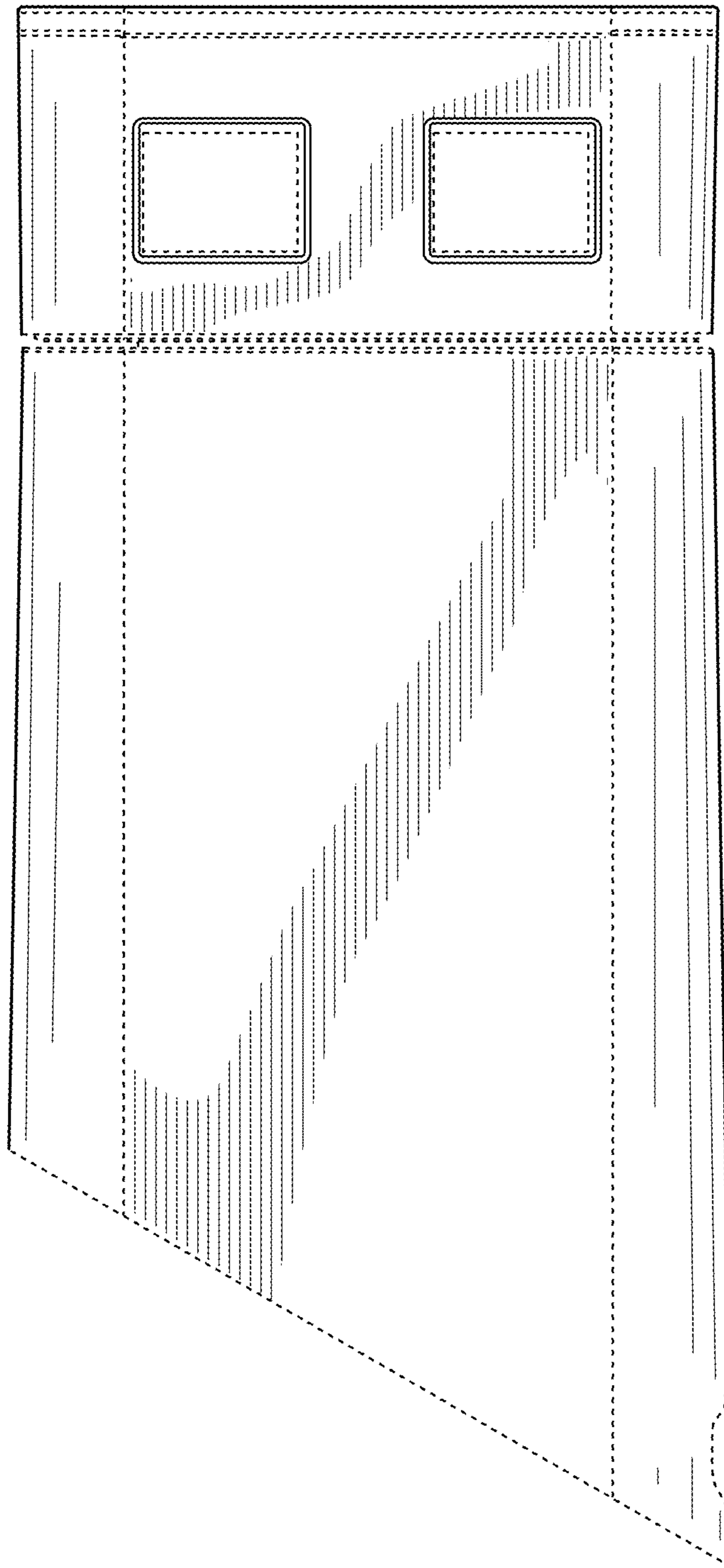


FIG. 3

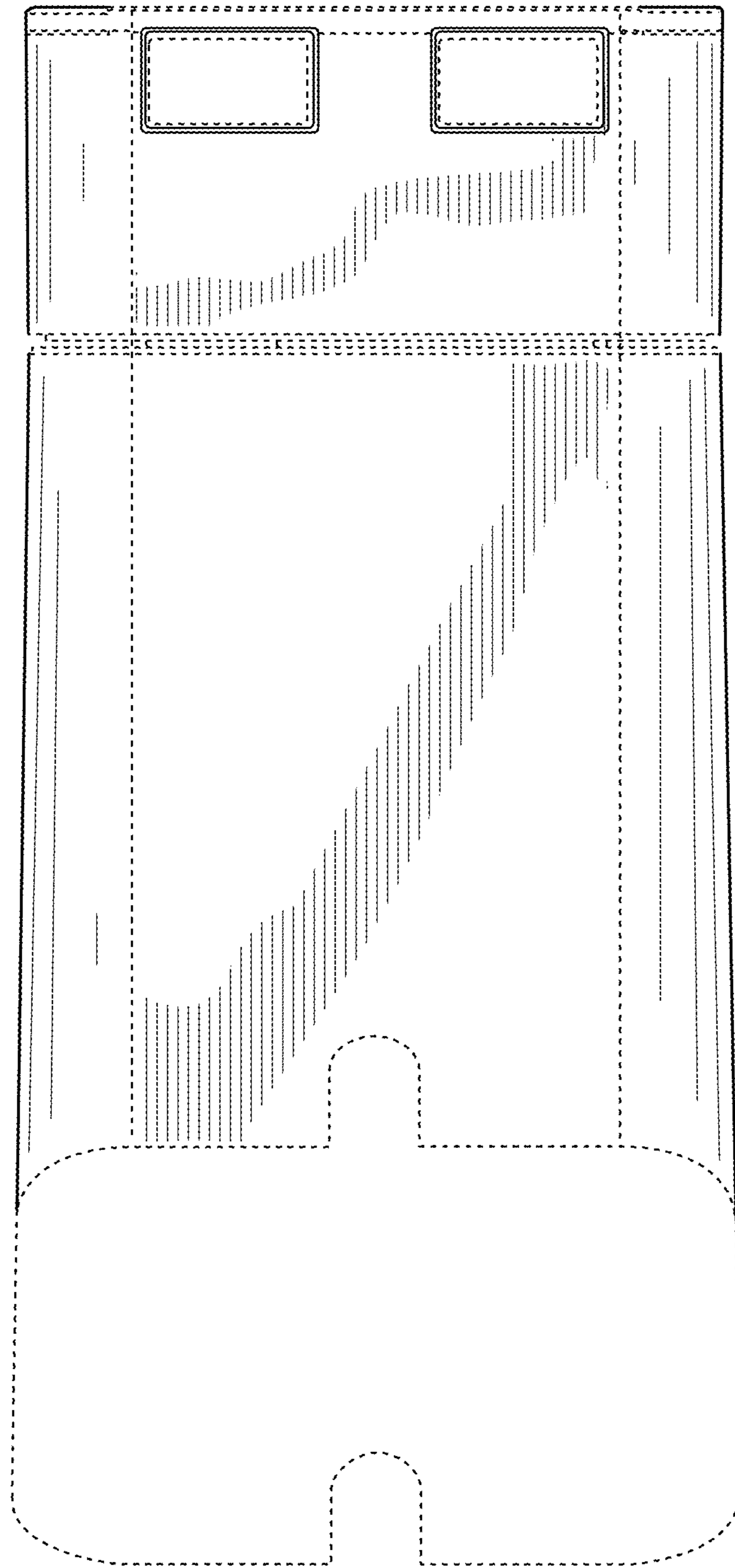


FIG. 4

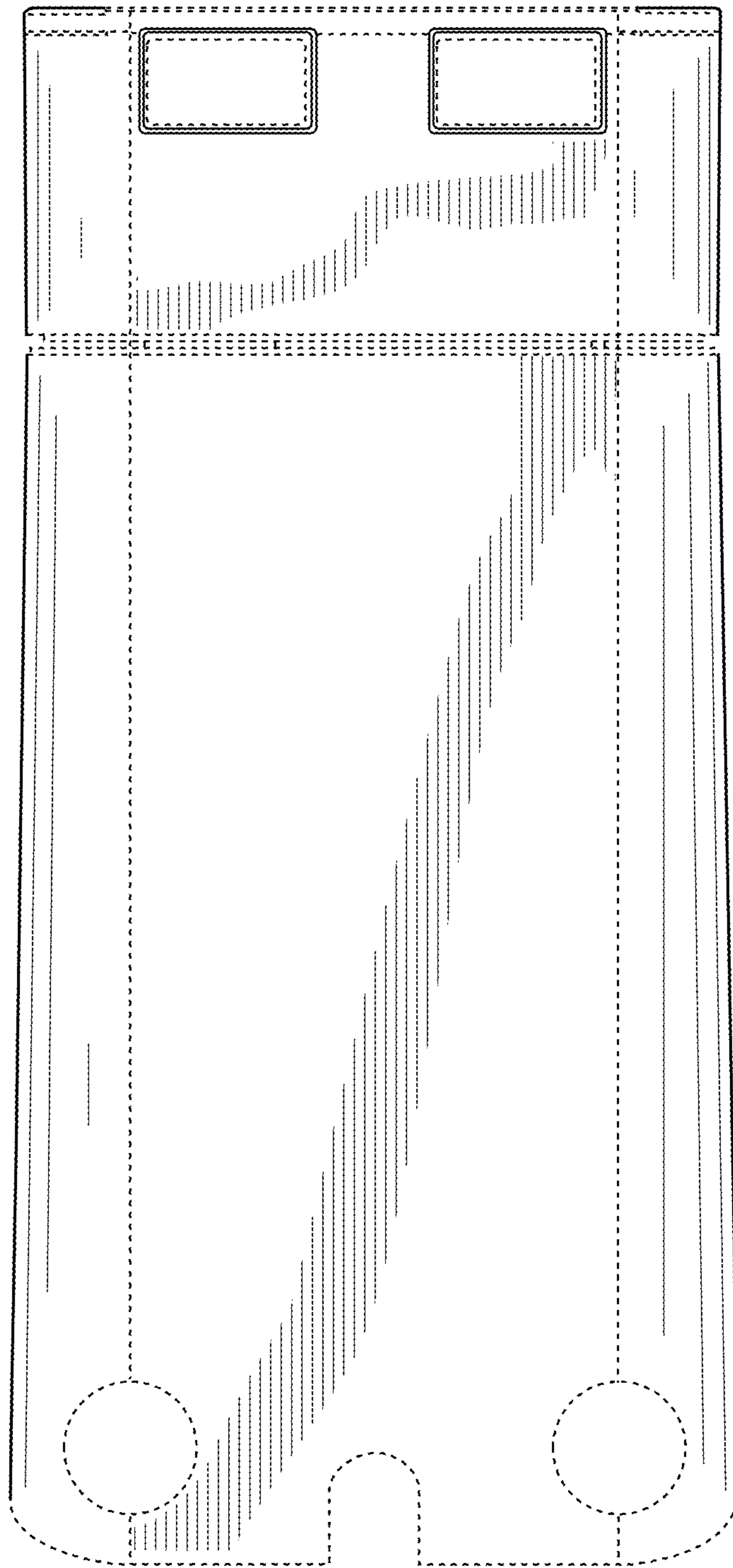


FIG. 5

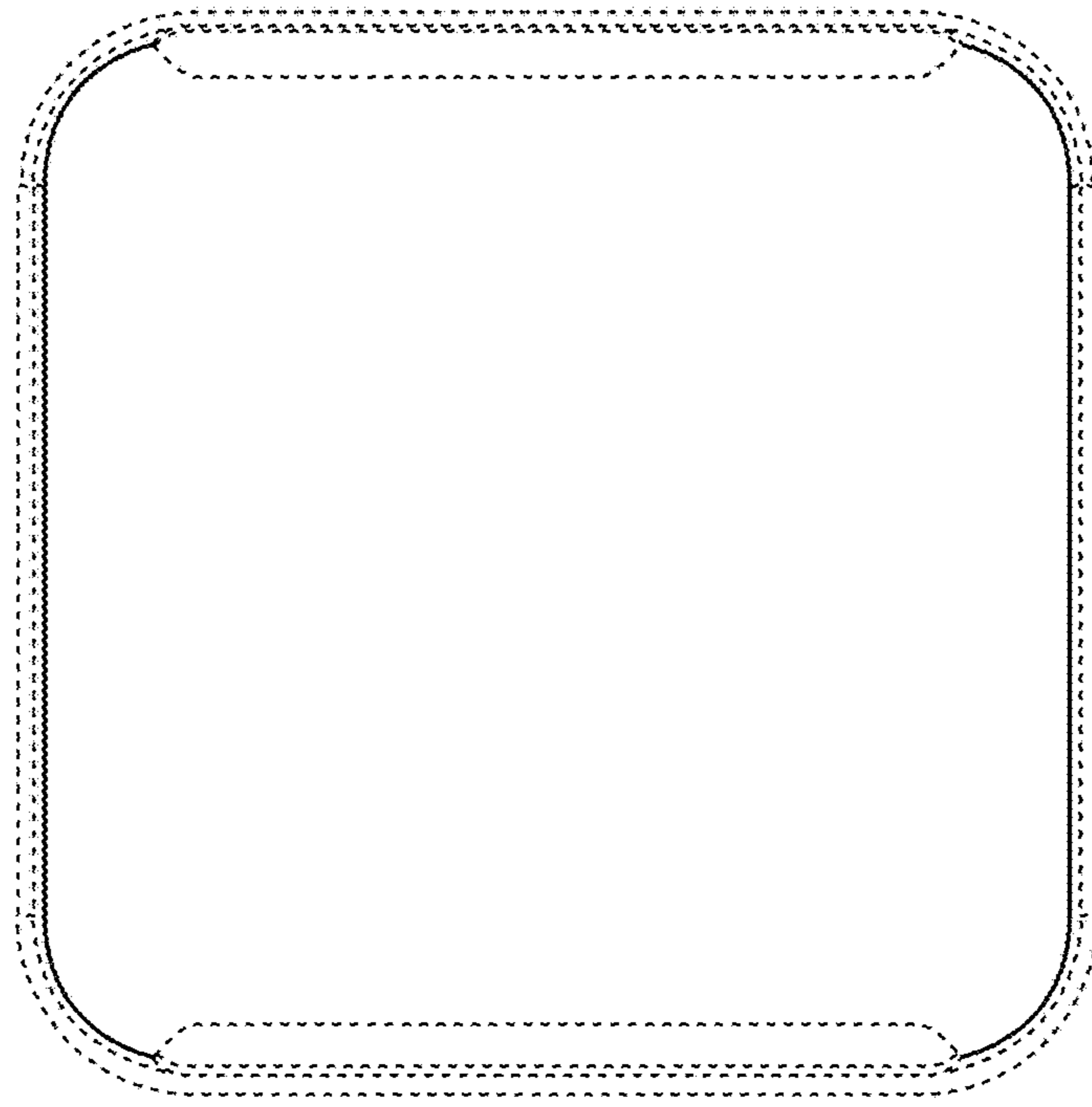


FIG. 6

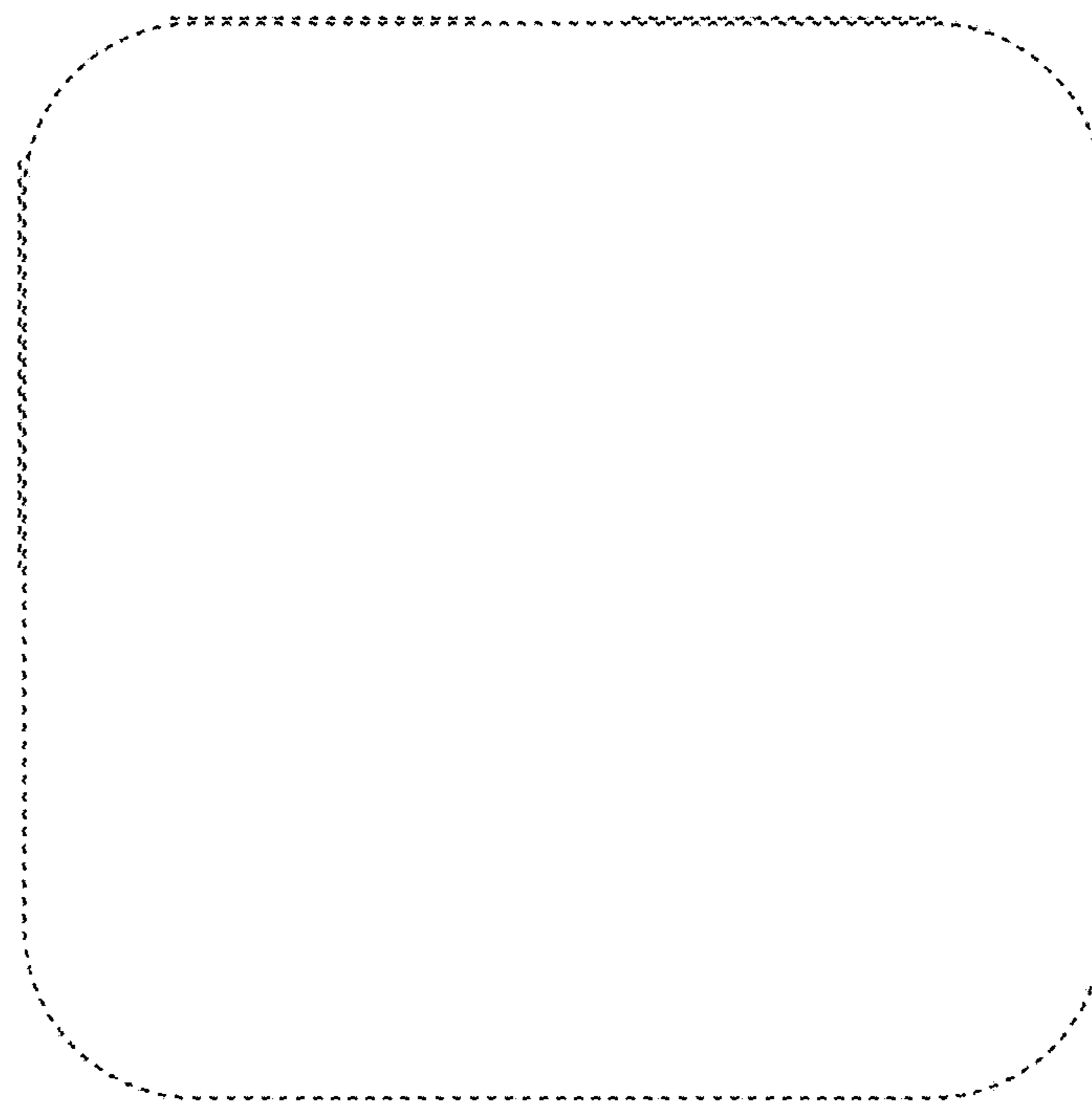


FIG. 7