



US00D806454S

(12) **United States Design Patent**
Phillippi

(10) **Patent No.:** **US D806,454 S**
(45) **Date of Patent:** **** Jan. 2, 2018**

- (54) **SPRAY RACK**
- (71) Applicant: **Patrick G Phillippi**, Rolling Meadows, IL (US)
- (72) Inventor: **Patrick G Phillippi**, Rolling Meadows, IL (US)
- (**) Term: **15 Years**
- (21) Appl. No.: **29/559,281**
- (22) Filed: **Mar. 25, 2016**

D346,081	S *	4/1994	Turner	D6/681.1
5,458,933	A	10/1995	Suskind		
5,540,962	A	7/1996	Suskind		
5,707,450	A *	1/1998	Thompson	B05B 13/0285 118/500
6,312,823	B1	11/2001	El-Fandi		
6,391,402	B1	5/2002	Yokota		
6,702,130	B1 *	3/2004	Carlilse	B05B 13/0285 118/500
6,837,934	B1 *	1/2005	Patrykus	B05B 13/0285 118/500
7,448,606	B1 *	11/2008	Johnson	B05B 13/0285 269/16
7,988,137	B2 *	8/2011	Johnson	B25H 1/0007 248/164
D650,542	S *	12/2011	Kontorovich	D32/58

Related U.S. Application Data

- (63) Continuation-in-part of application No. 15/043,809, filed on Feb. 15, 2016.
- (51) **LOC (11) Cl.** **06-04**
- (52) **U.S. Cl.**
USPC **D6/681.1**
- (58) **Field of Classification Search**
USPC D6/310, 672, 681, 681.1, 680.2, 680.3, D6/682.5
CPC B05B 13/0285; F16M 11/00; B25B 5/00; B25B 11/00; B25H 1/0042; B25H 1/005
See application file for complete search history.

Primary Examiner — John Windmuller
Assistant Examiner — Steven Czyz
 (74) *Attorney, Agent, or Firm* — Charles F. Meroni, Jr.; Meroni & Meroni, P.C.

(57) **CLAIM**

The ornamental design for a spray rack, as shown and described.

DESCRIPTION

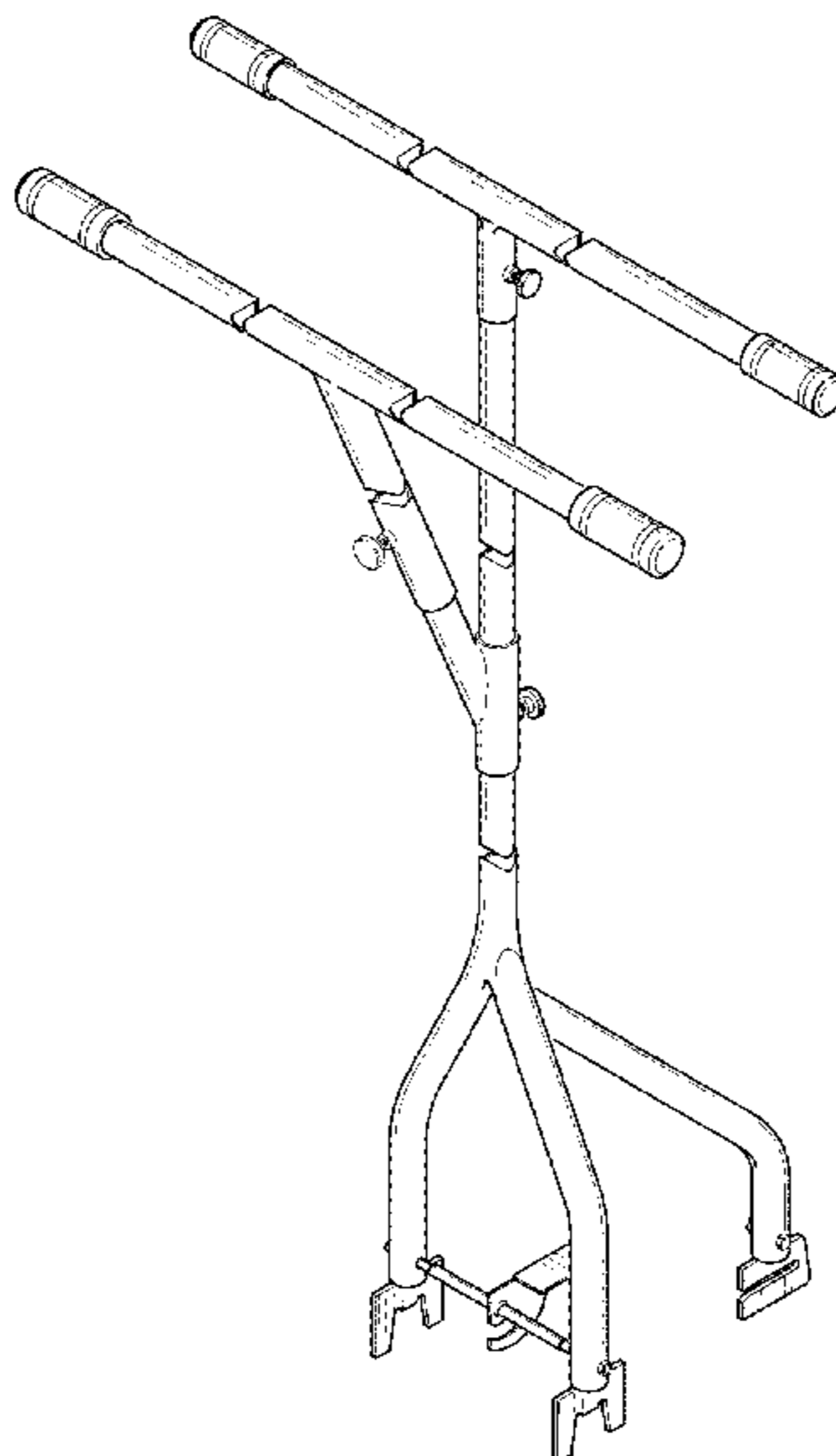
FIG. 1 is a top-front perspective view of a spray rack according to the present invention;
 FIG. 2 is a top view thereof;
 FIG. 3 is a left side view thereof; and,
 FIG. 4 is a rear view thereof.
 Portions of the spray rack are shown broken away to indicate that it has no particular length beyond what is shown. The broken lines in the drawing views represent unclaimed portions of the power distribution module, which are shown for illustration purposes only and form no part of the claimed design.

(56) **References Cited**

U.S. PATENT DOCUMENTS

3,762,951	A *	10/1973	Hetznecker	B44D 3/16 118/500
D268,458	S *	4/1983	Schoenig	D16/244
D288,509	S *	3/1987	van de Oudeweetering	.	D6/682
D293,052	S *	12/1987	Handler	D6/681.3
4,863,655	A	9/1989	Lacourse		
4,870,805	A	10/1989	Morane		
D328,397	S *	8/1992	Handler	D6/681
5,213,221	A *	5/1993	Raye, Sr.	D06F 57/08 211/181.1
5,296,030	A *	3/1994	Young	B05B 13/0285 118/500

1 Claim, 2 Drawing Sheets



(56)

References Cited

U.S. PATENT DOCUMENTS

8,328,173	B1 *	12/2012	DesForge	B25H 1/0007 248/176.1
8,770,561	B2 *	7/2014	Gagnon, Jr.	B25B 11/00 118/500
9,393,647	B2 *	7/2016	Gagnon	B23P 6/00
D765,335	S *	8/2016	Cooper	D32/58
9,427,849	B2 *	8/2016	McMillan	B25B 5/16
2001/0001199	A1 *	5/2001	Sabounjian	D06F 57/08 211/202
2004/0074858	A1 *	4/2004	Thuma	D06F 57/10 211/202
2005/0210958	A1 *	9/2005	Mikkelson	G01M 3/02 73/37
2007/0138119	A1 *	6/2007	Schwerdlin	D06F 57/10 211/202
2008/0142652	A1 *	6/2008	Johnson	B05B 13/0285 248/176.1
2008/0185358	A1 *	8/2008	Hernandez	D06F 57/12 211/195
2010/0181270	A1 *	7/2010	Miola	D06F 57/08 211/85.3
2013/0228540	A1 *	9/2013	Oh	D06F 57/10 211/85.3
2014/0360043	A1 *	12/2014	Baek	F26B 25/18 34/239

* cited by examiner

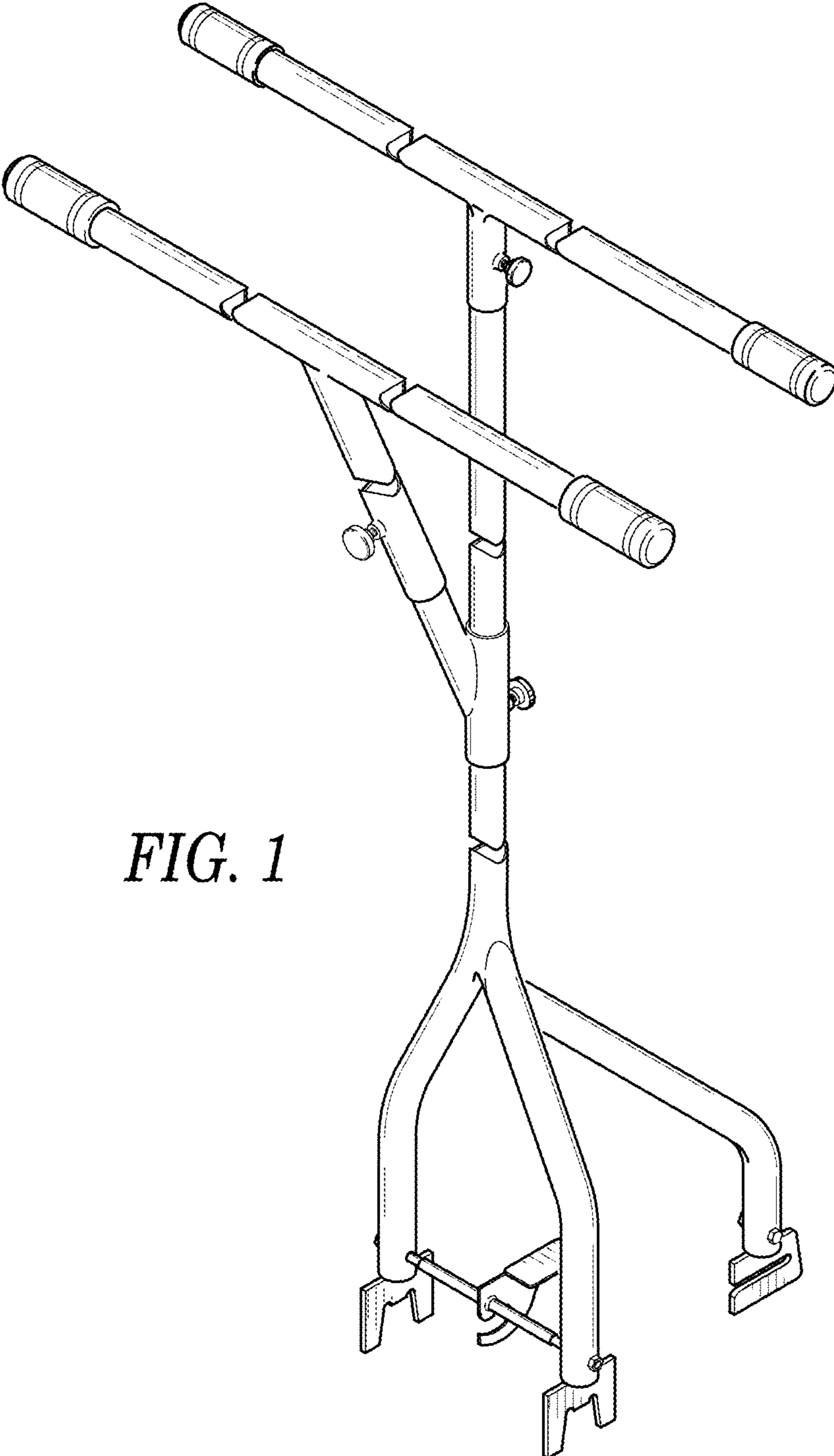


FIG. 1

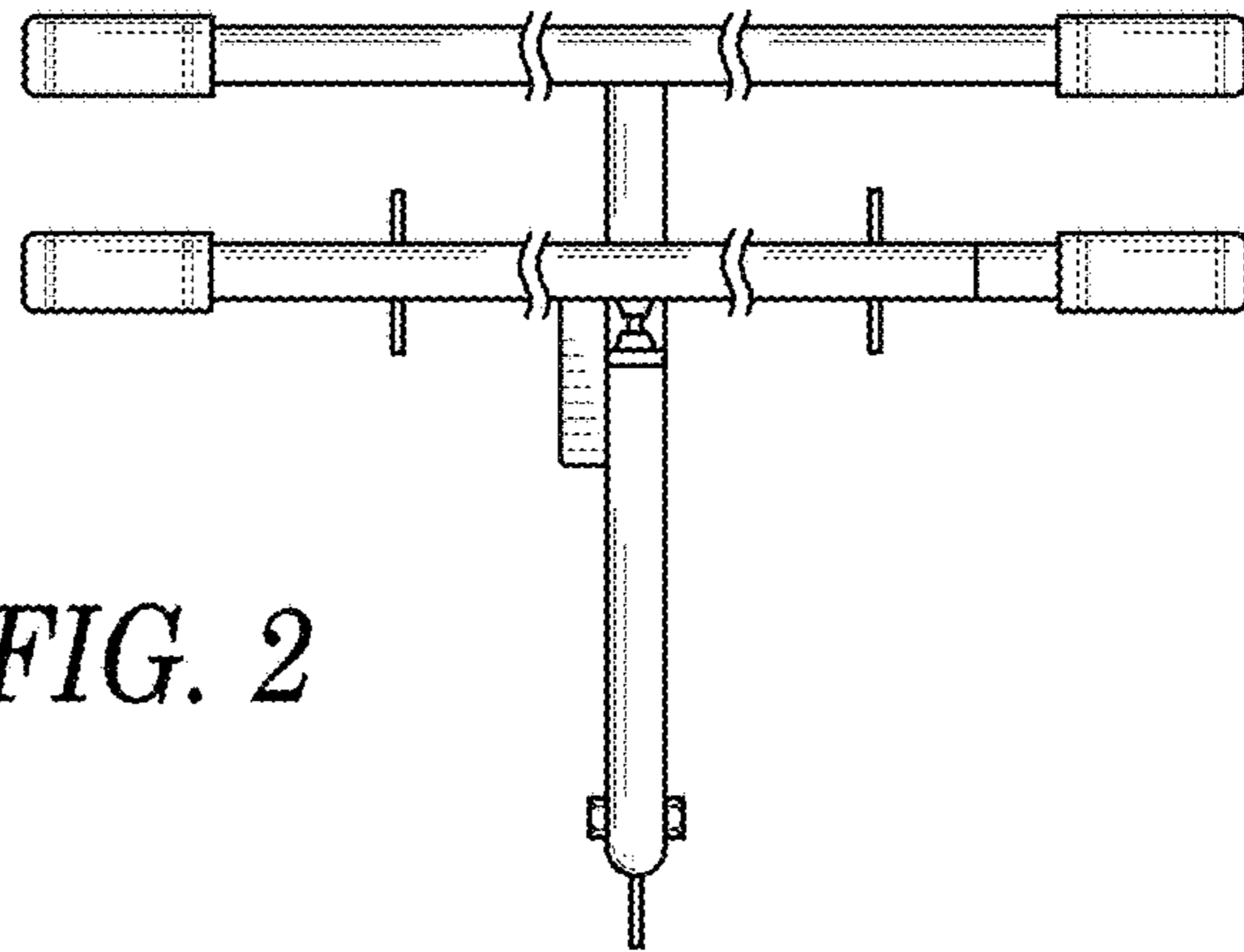


FIG. 2

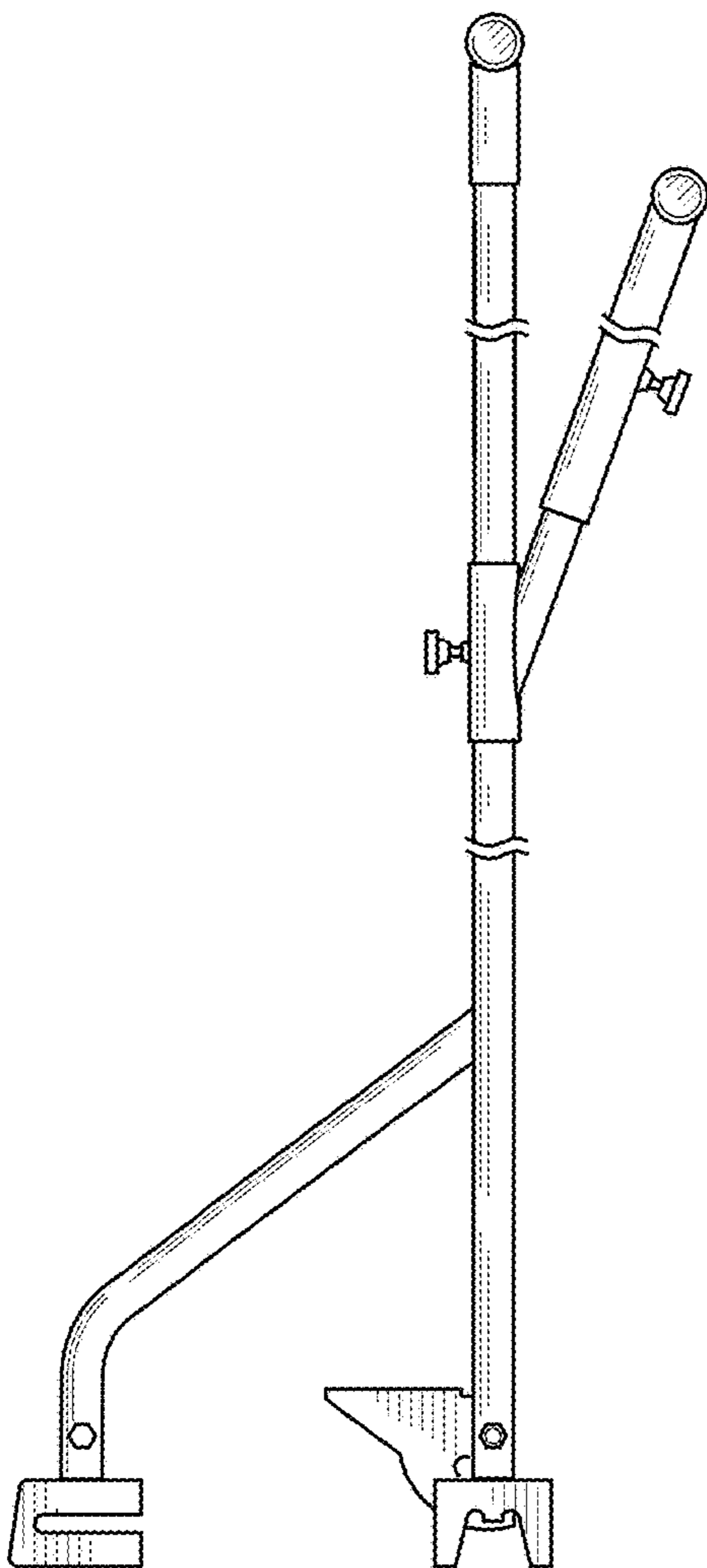


FIG. 3

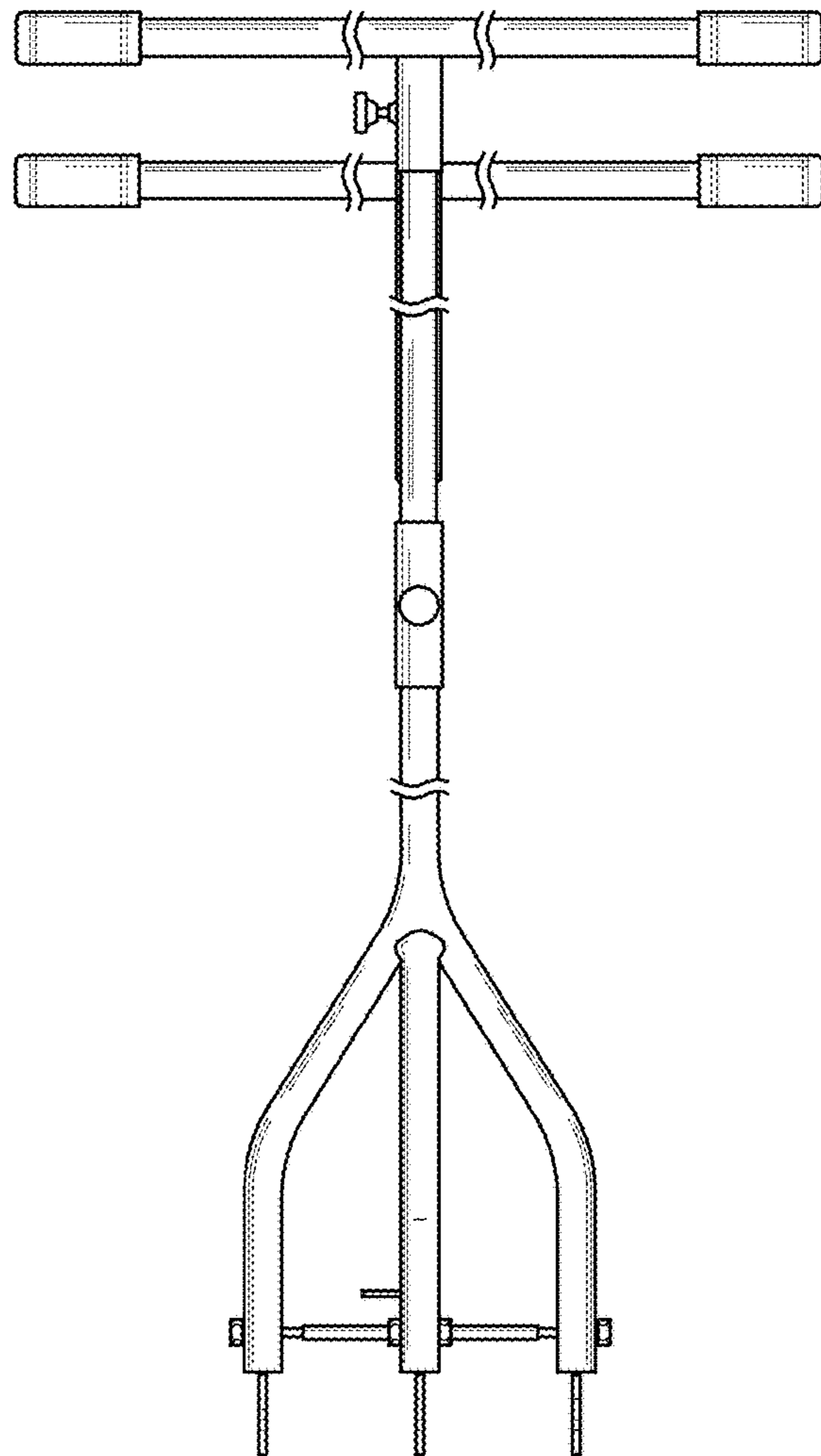


FIG. 4