



US00D806453S

(12) **United States Design Patent** (10) **Patent No.:** **US D806,453 S**
Viveiros (45) **Date of Patent:** **** Jan. 2, 2018**

(54) **COMBINATION OUTFIT SUPPORT AND MIRROR**

(71) Applicant: **ExactlyU**, Westfield, MA (US)
(72) Inventor: **Lisa Viveiros**, Westfield, MA (US)
(73) Assignee: **ExactlyU**, Westfield, MA (US)
(**) Term: **15 Years**

(21) Appl. No.: **29/539,989**
(22) Filed: **Sep. 18, 2015**
(51) **LOC (11) Cl.** **06-04**
(52) **U.S. Cl.**
USPC **D6/674.1**; D6/316
(58) **Field of Classification Search**
USPC D6/316, 674.1; D20/31-33; D19/8
CPC A47G 25/90; A47G 25/20; A47G 25/06;
A47G 25/443; A47G 25/0664; A47F
8/00; A47F 8/02; A47F 7/19; A47F 5/04;
A47F 7/24
See application file for complete search history.

(56) **References Cited**

U.S. PATENT DOCUMENTS

1,617,676	A	2/1927	Dobbin	
2,079,550	A	5/1937	Mott	
D131,540	S *	3/1942	Phillips D20/31
D174,643	S *	5/1955	Lewis D6/674.1
3,010,225	A	11/1961	Hale	
D197,427	S *	2/1964	Jones 434/191
3,126,237	A	3/1964	Kirk	
D201,778	S *	7/1965	Berman 223/68
3,205,614	A	9/1965	Brosk	
3,313,044	A	4/1967	Glass et al.	
D276,797	S *	12/1984	Narens D10/109.1

(Continued)

FOREIGN PATENT DOCUMENTS

DE	10249233	A1	5/2004
GB	505383		5/1939

(Continued)

OTHER PUBLICATIONS

U.S. Appl. No. 15/042,867, filed Feb. 12, 2016, Viveiros.

(Continued)

Primary Examiner — Lauren Calve

(74) *Attorney, Agent, or Firm* — Wolf, Greenfield & Sacks, P.C.

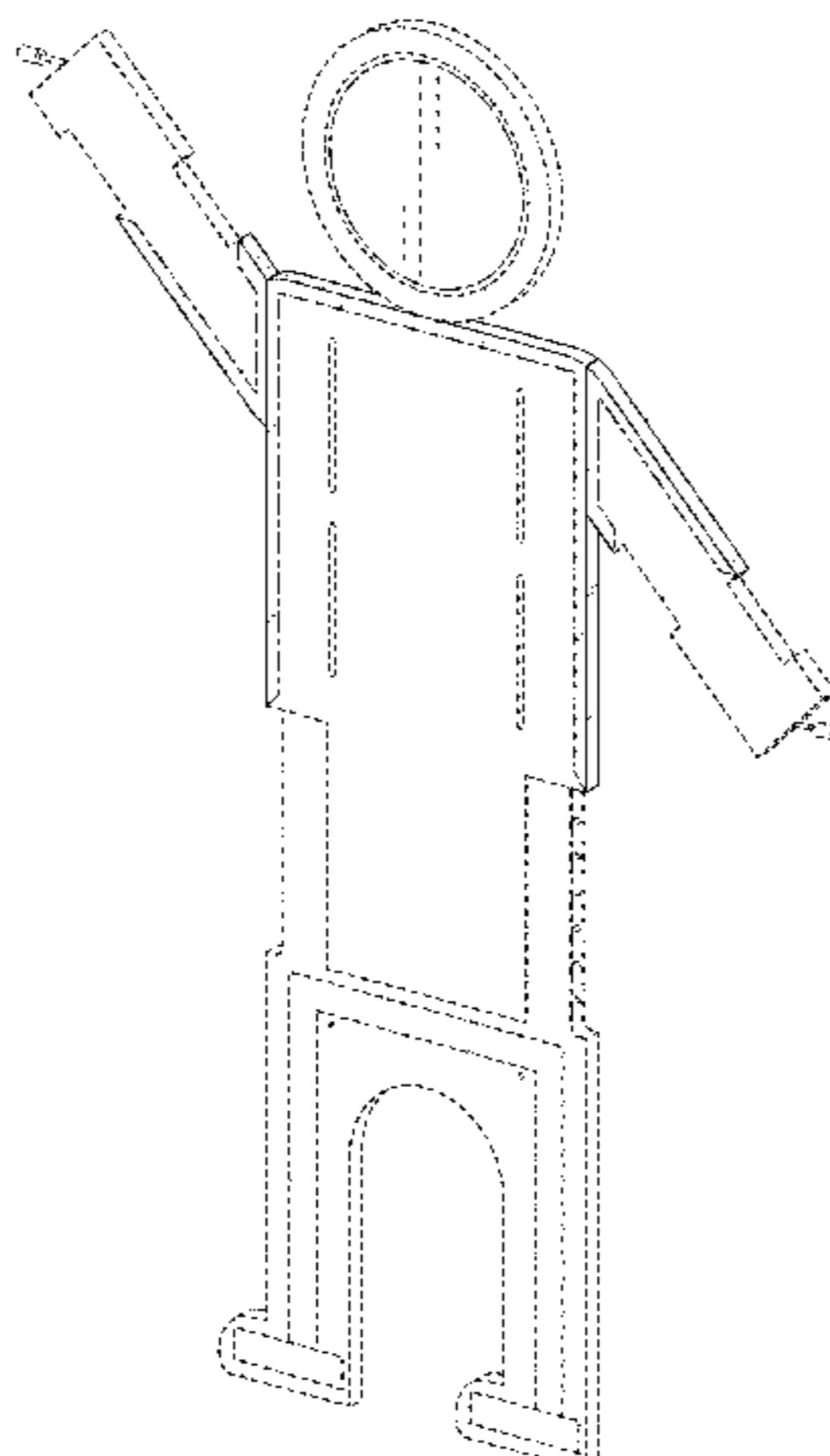
(57) **CLAIM**

The ornamental design for a combination outfit support and mirror, as shown and described.

DESCRIPTION

FIG. 1 is a top, front, right side perspective view of a combination outfit support and mirror showing a first embodiment of my new design;
FIG. 2 is a front elevational view thereof;
FIG. 3 is a rear elevational view thereof;
FIG. 4 is a left side elevational view thereof;
FIG. 5 is a right side elevational view thereof;
FIG. 6 is a top plan view thereof;
FIG. 7 is a bottom plan view thereof;
FIG. 8 is a top, front, right side perspective view of the combination outfit support and mirror showing a second embodiment of my new design;
FIG. 9 is a front elevational view of FIG. 8;
FIG. 10 is a rear elevational view of FIG. 8;
FIG. 11 is a left side elevational view of FIG. 8;
FIG. 12 is a right side elevational view of FIG. 8;
FIG. 13 is a top plan view of FIG. 8; and,
FIG. 14 is a bottom plan view of FIG. 8.
The dash-dot-dash lines shown in the figures represent boundaries of the claimed design and form no part thereof. The broken lines shown represent unclaimed subject matter and form no part of the claimed design.

1 Claim, 10 Drawing Sheets



(56)

References Cited

U.S. PATENT DOCUMENTS

4,611,997 A 9/1986 Priore
 4,739,911 A 4/1988 Quinn
 D302,213 S 7/1989 Motazedi
 D308,229 S * 5/1990 Jervis, Sr. D20/31
 D331,666 S 12/1992 Seay
 5,201,443 A 4/1993 Oswald
 D340,149 S * 10/1993 Granoff D6/674.1
 5,310,099 A * 5/1994 Claas A47F 8/00
 223/66
 D388,724 S * 1/1998 Victor D10/109.1
 D402,132 S * 12/1998 Gardner D6/674.1
 D411,051 S * 6/1999 Hales D11/160
 D414,043 S * 9/1999 Schenck D6/316
 D414,815 S * 10/1999 McDonald D20/31
 D417,157 S * 11/1999 Chang D10/23
 D419,309 S * 1/2000 Leon D6/300
 D426,712 S * 6/2000 Leon D21/625
 6,244,480 B1 6/2001 Sepulveda et al.
 D462,999 S * 9/2002 Evans D20/31
 6,601,326 B1 8/2003 Bublitz et al.
 D513,563 S * 1/2006 Shaw D6/316
 D522,584 S 6/2006 Loew
 7,089,216 B2 8/2006 Van Overveld
 D532,707 S * 11/2006 Mombauer D10/8
 7,380,360 B2 * 6/2008 Evans G09F 1/08
 116/63 P
 D677,148 S * 3/2013 Hammer D8/402
 D774,141 S * 12/2016 Feingold D20/19

D778,025 S * 2/2017 Kim D1/108
 2002/0011502 A1 * 1/2002 Preyss A47F 7/22
 223/120
 2003/0222038 A1 * 12/2003 Collier A47G 25/0671
 211/85.7
 2005/0009441 A1 1/2005 Thomas
 2013/0059526 A1 * 3/2013 Moore G09F 21/026
 455/3.06

FOREIGN PATENT DOCUMENTS

GB 2310597 A 9/1997
 JP 08-024110 A 1/1996

OTHER PUBLICATIONS

[No Author Listed] A Multifunctional Little Girl's Room in a Small Space. HGTV. Accessed online via <http://www.hgtv.com/inline/design/rooms/kid-rooms/a-multifunctional-little-girls-room-in-a-small-space-pictures> on Aug. 27, 2015. 2 pages.
 [No Author Listed] Kids Clothes Valet—Thierry Bataille. DesignArena. 2013. Accessed online at <http://www.arenacollection.com/en/deco-c11/belgian-design-c101/kids-clothes-vale---thierry-bataille-p502.html> on Aug. 27, 2015. 5 pages.
 Hazelnutt House, How to Make Life-Size Paper Dolls. Popsugar. Sep. 9, 2012. Accessed online via <http://www.popsugar.com/moms/How-Make-Life-Size-Paper-Dolls-24763508> on Aug. 27, 2015. 16 pages.

* cited by examiner

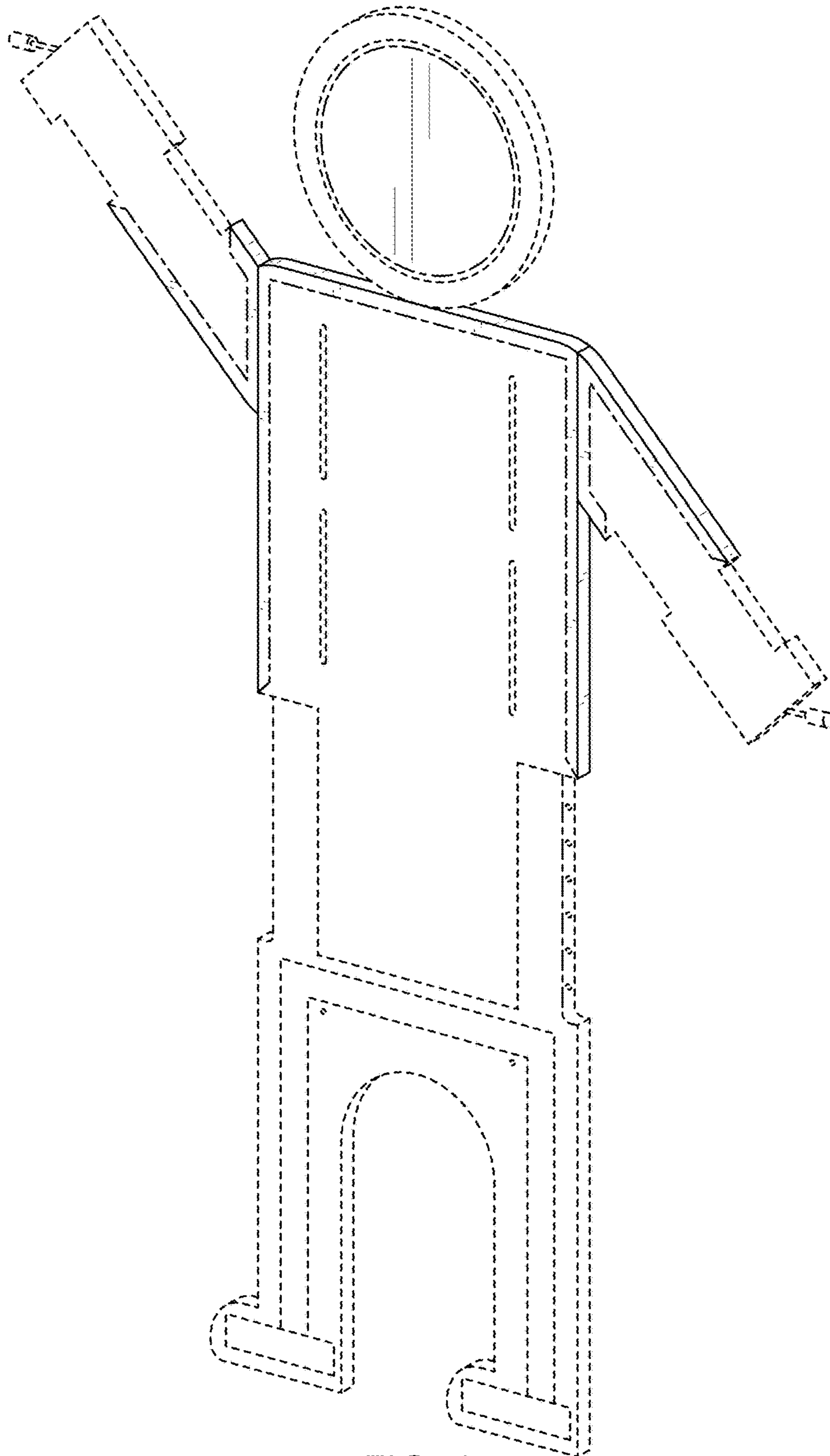


FIG. 1

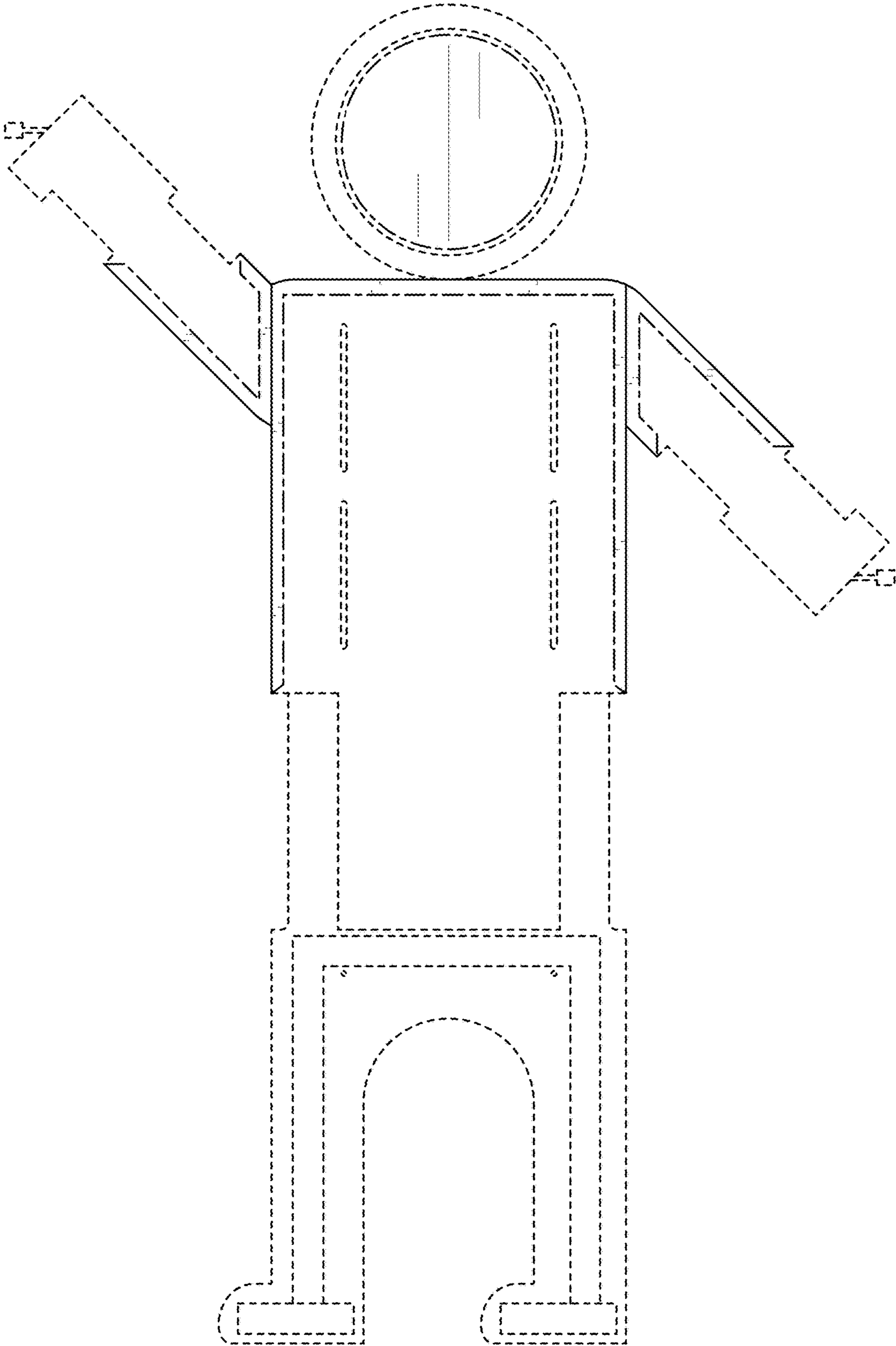


FIG. 2

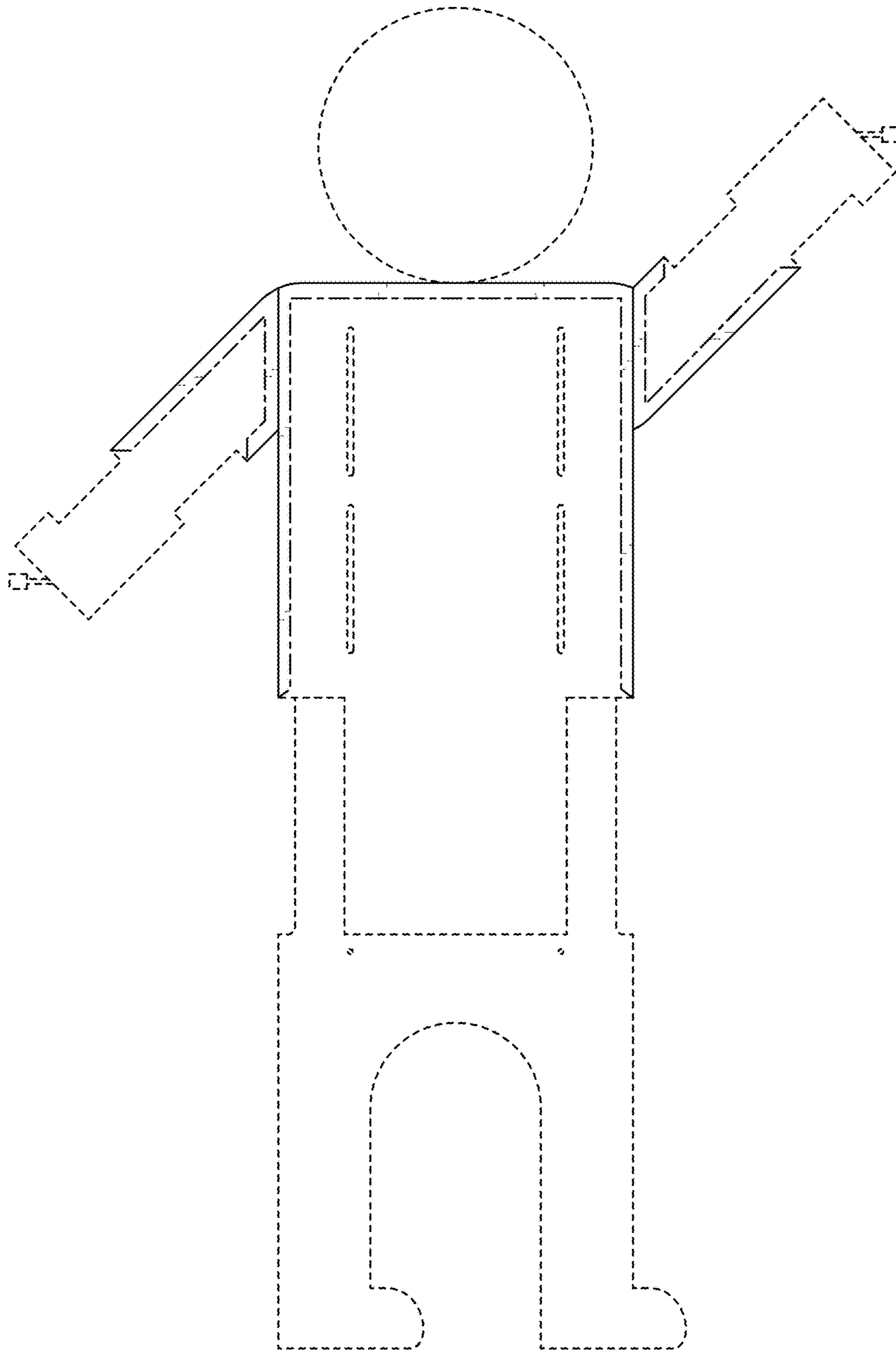


FIG. 3



FIG. 4



FIG. 5

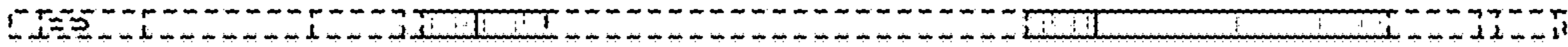


FIG. 6

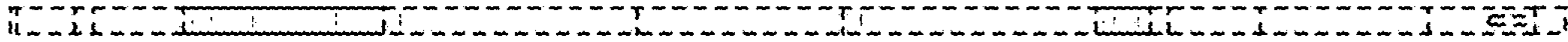


FIG. 7

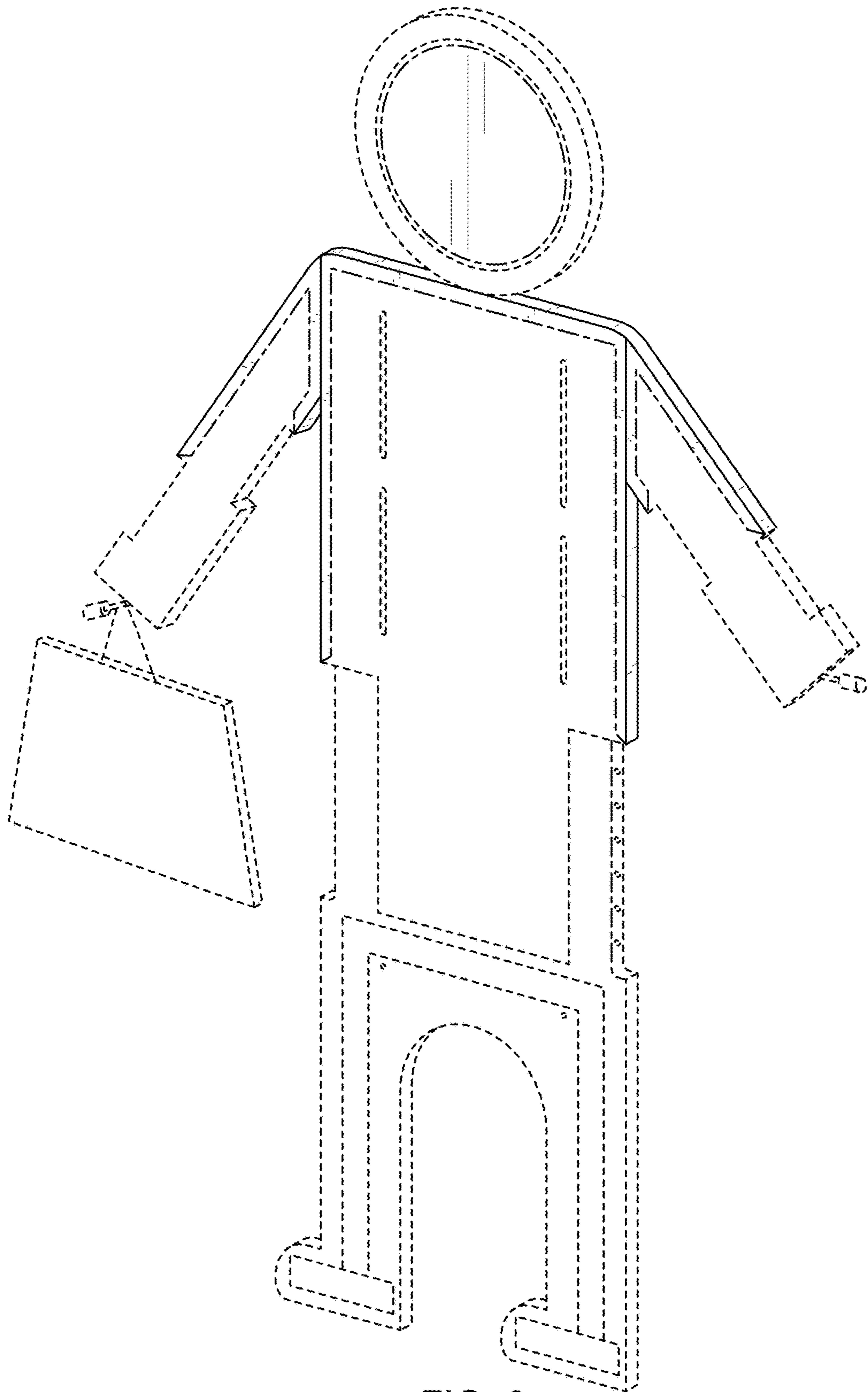


FIG. 8

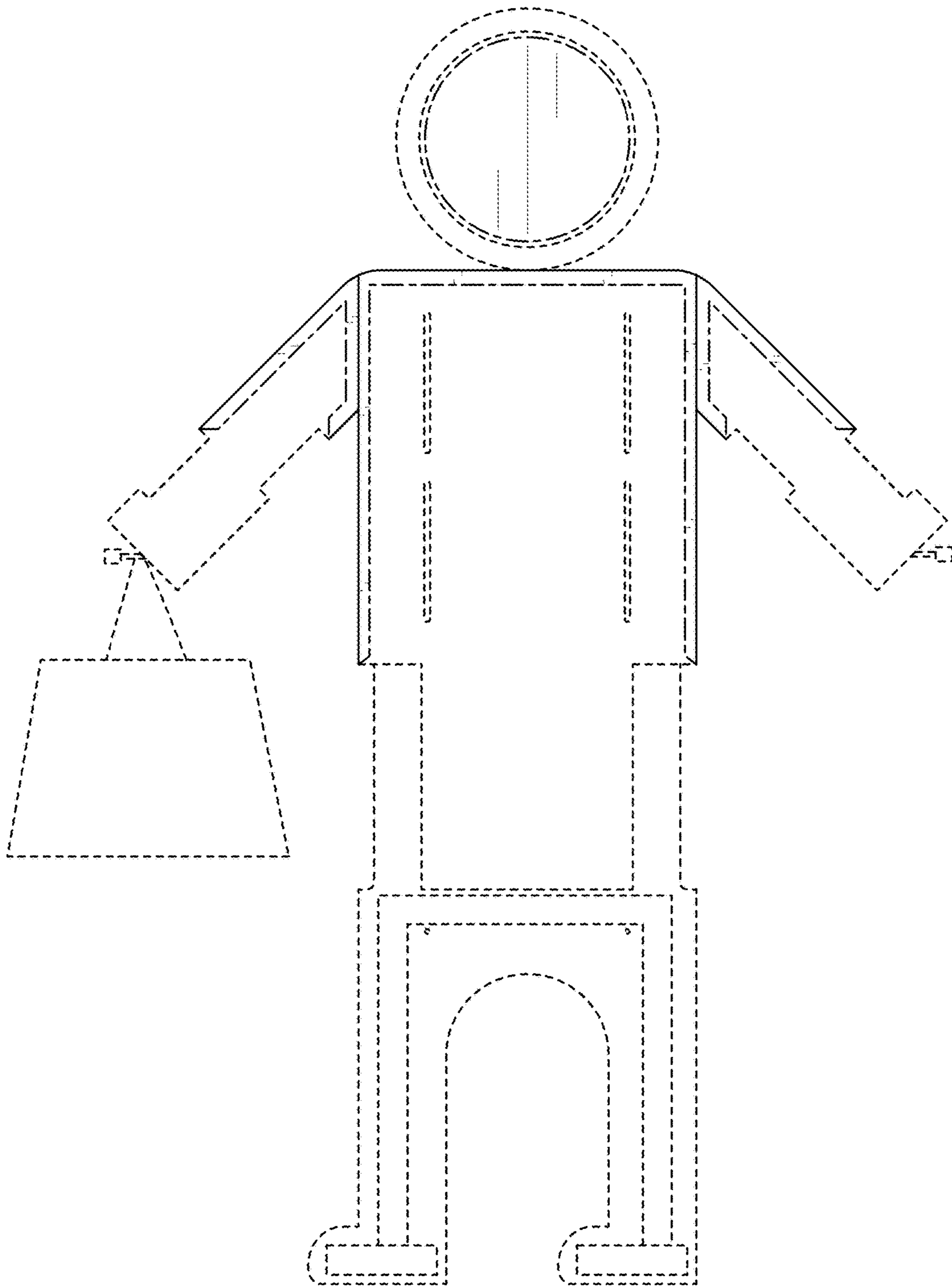


FIG. 9

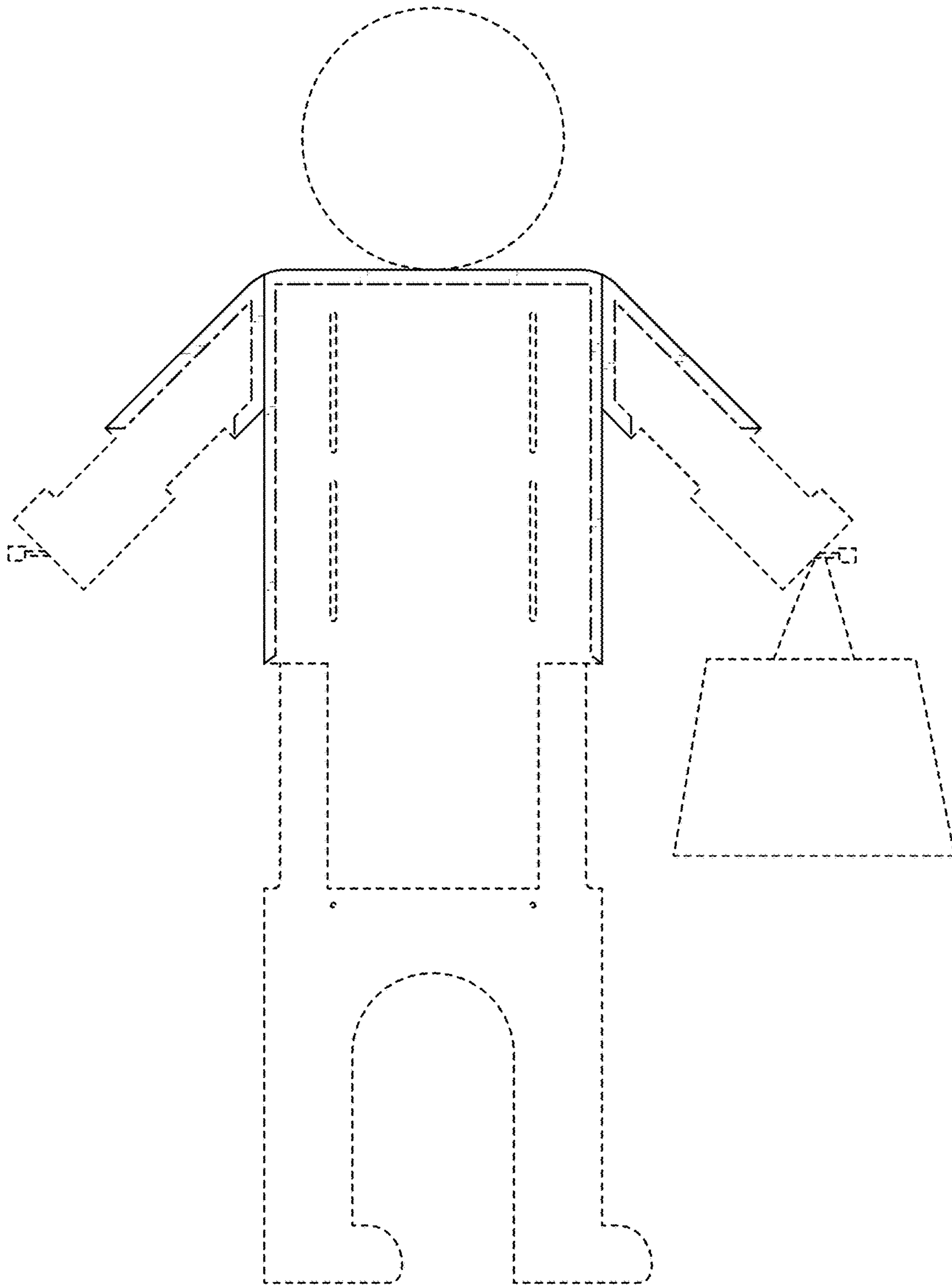


FIG. 10

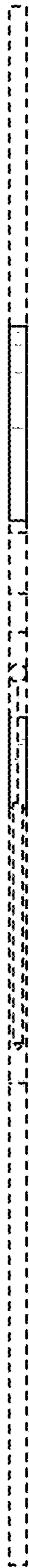


FIG. 11



FIG. 12

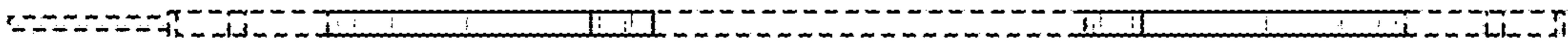


FIG. 13



FIG. 14