



US00D806451S

(12) **United States Design Patent** (10) **Patent No.:** **US D806,451 S**
Feinstein et al. (45) **Date of Patent:** **** Jan. 2, 2018**

(54) **MODULAR BLOCK**
(71) Applicant: **Eureka Exhibits LLC**, Greer, SC (US)
(72) Inventors: **Keith Feinstein**, Stirling, NJ (US);
Mark Kirby, Greer, SC (US)
(73) Assignee: **Eureka Exhibits**, Greer, SC (US)
(**) Term: **15 Years**
(21) Appl. No.: **29/605,224**
(22) Filed: **May 24, 2017**

D293,175 S * 12/1987 Miller D6/662
D303,462 S * 9/1989 Schouten D6/657
D303,463 S * 9/1989 Schouten D6/657
4,926,294 A * 5/1990 Beaulieu A47F 11/10
248/240.4
D331,077 S * 11/1992 Foster D20/10
D359,988 S * 7/1995 Lechleiter D20/10
D360,230 S * 7/1995 Lechleiter D20/10
D373,641 S * 9/1996 Lee D20/10
D435,597 S * 12/2000 Febish D20/10
D453,224 S * 1/2002 Sender D25/16
D476,507 S * 7/2003 Holmes D25/16
D562,588 S * 2/2008 Bays D6/672
D571,122 S * 6/2008 Bostick D6/672
D584,076 S * 1/2009 Stengel D6/672

(Continued)

Related U.S. Application Data

(60) Division of application No. 29/537,111, filed on Aug. 12, 2015, now Pat. No. Des. 790,891, which is a continuation of application No. 14/578,462, filed on Dec. 21, 2014, now Pat. No. 9,198,306.
(51) **LOC (11) Cl.** **06-04**
(52) **U.S. Cl.**
USPC **D6/672**; D25/113
(58) **Field of Classification Search**
USPC D6/332, 657, 672, 682; D19/62;
D20/10, 19, 20, 29, 39, 41, 42; D25/32,
D25/113
CPC .. H05K 5/0017; H05K 5/0204; H05K 5/0247;
A47B 81/06; A47B 47/0091; A47F 3/004;
A47F 3/06; A47F 10/02
See application file for complete search history.

(56) **References Cited**

U.S. PATENT DOCUMENTS

D115,561 S * 7/1939 Lee D20/10
D147,823 S * 11/1947 Taylor 40/584
3,755,944 A * 9/1973 Kaulfuss G09F 13/04
362/812
4,030,219 A * 6/1977 Donovan G09F 15/0068
160/135

OTHER PUBLICATIONS

<https://www.youtube.com/watch?v=7urtUZW-s98> Posted Oct. 19, 2015.*

(Continued)

Primary Examiner — Susan Bennett Hattan
Assistant Examiner — Leanne Was-Englehart

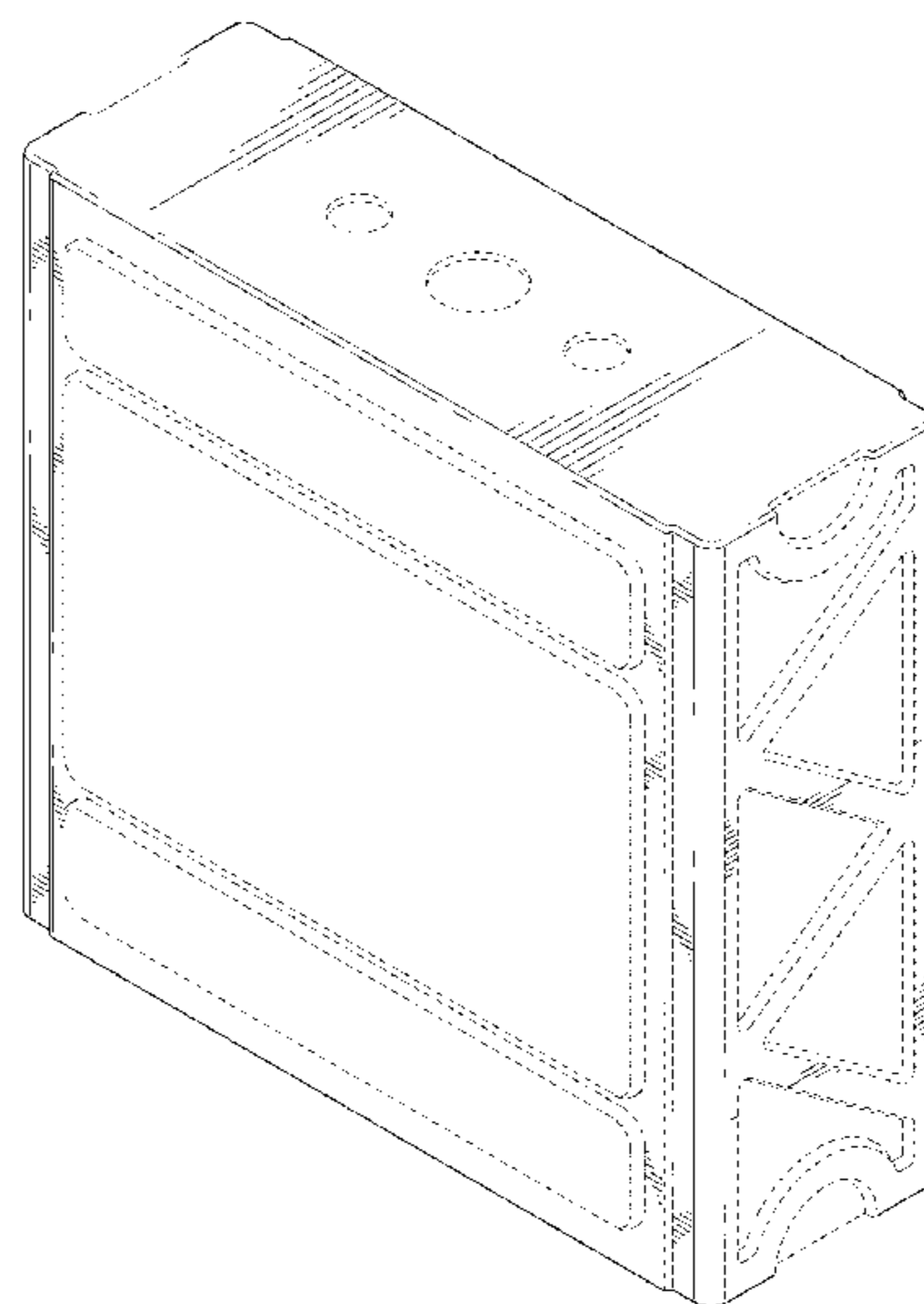
(57) **CLAIM**

The ornamental design for modular block, as shown and described.

DESCRIPTION

FIG. 1. Is a first perspective view of a modular block showing the new design;
FIG. 2 is a front elevation view thereof;
FIG. 3 is a back elevation view thereof;
FIG. 4 is a left side elevation view thereof;
FIG. 5 is a right side elevation view thereof;
FIG. 6 is a top plan view thereof; and,
FIG. 7 is a bottom plan view thereof.
The evenly spaced broken lines depict portions of the modular block that form no part of the claimed design.

1 Claim, 5 Drawing Sheets



(56)

References Cited

U.S. PATENT DOCUMENTS

D603,180 S * 11/2009 Urdarevik D19/62
D641,569 S * 7/2011 Feldman D6/672
D657,589 S * 4/2012 Watson D6/678.4
8,348,757 B2 * 1/2013 Kim G07F 17/3209
463/16
D720,557 S * 1/2015 Lehmann D6/657
D741,626 S * 10/2015 Tapias D6/672
9,198,306 B1 * 11/2015 Feinstein G09B 19/0046
D758,105 S * 6/2016 Taraczky D6/672
D763,466 S * 8/2016 Alonso D25/113
D780,489 S * 3/2017 LoBianco D6/678.3
D790,891 S * 7/2017 Feinstein G09B 19/0046
D6/672
2004/0209675 A1 * 10/2004 Yaegashi G07F 1/02
463/25
2005/0204598 A1 * 9/2005 Labeledz G09F 7/02
40/585
2010/0056258 A1 * 3/2010 Hara G07F 17/3297
463/25

OTHER PUBLICATIONS

<https://www.eurekaexhibits/wp-content/uploads/be-the-astronaut-brochure.pdf> Website last modified Jul. 22, 2014.*

* cited by examiner

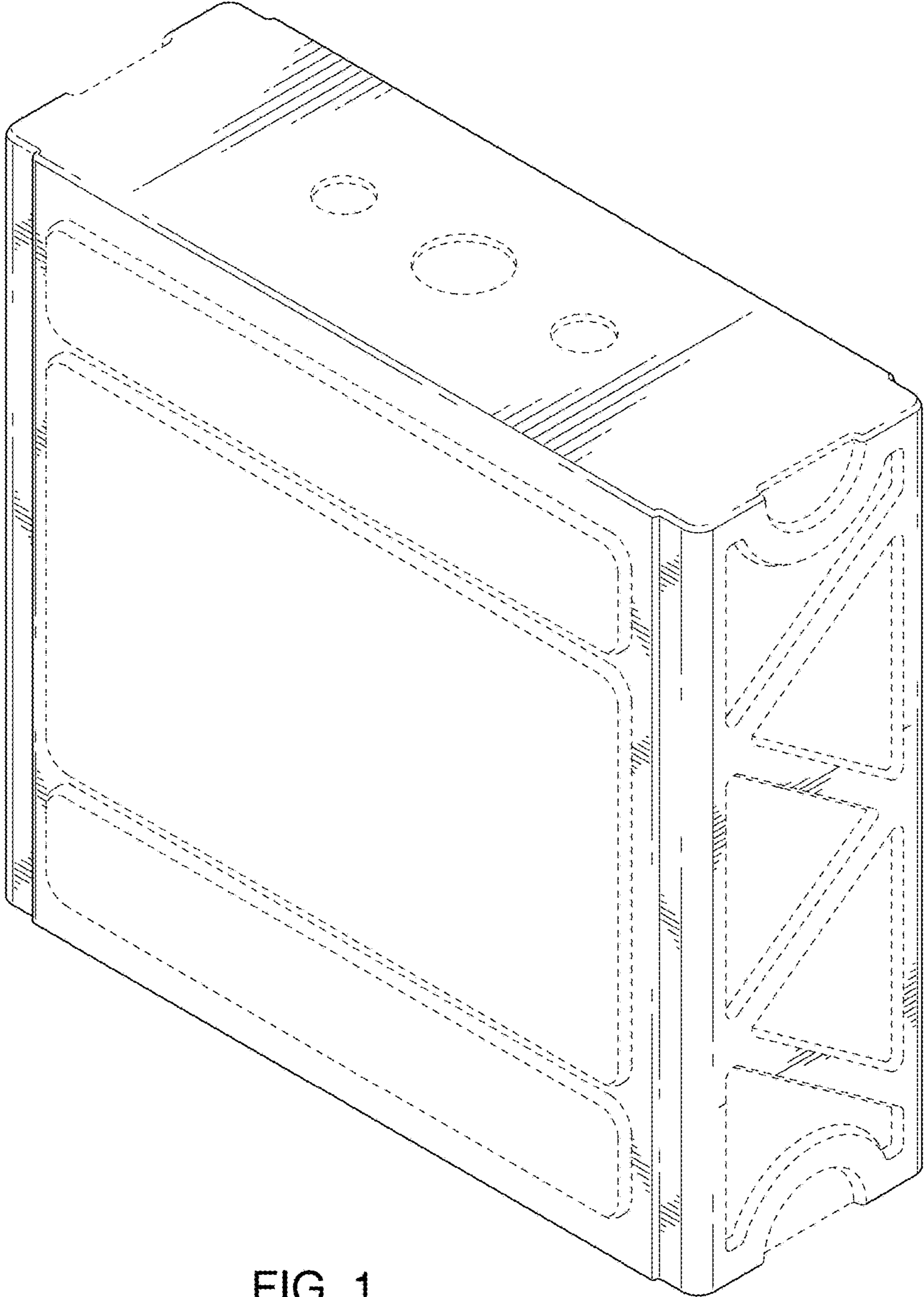


FIG. 1

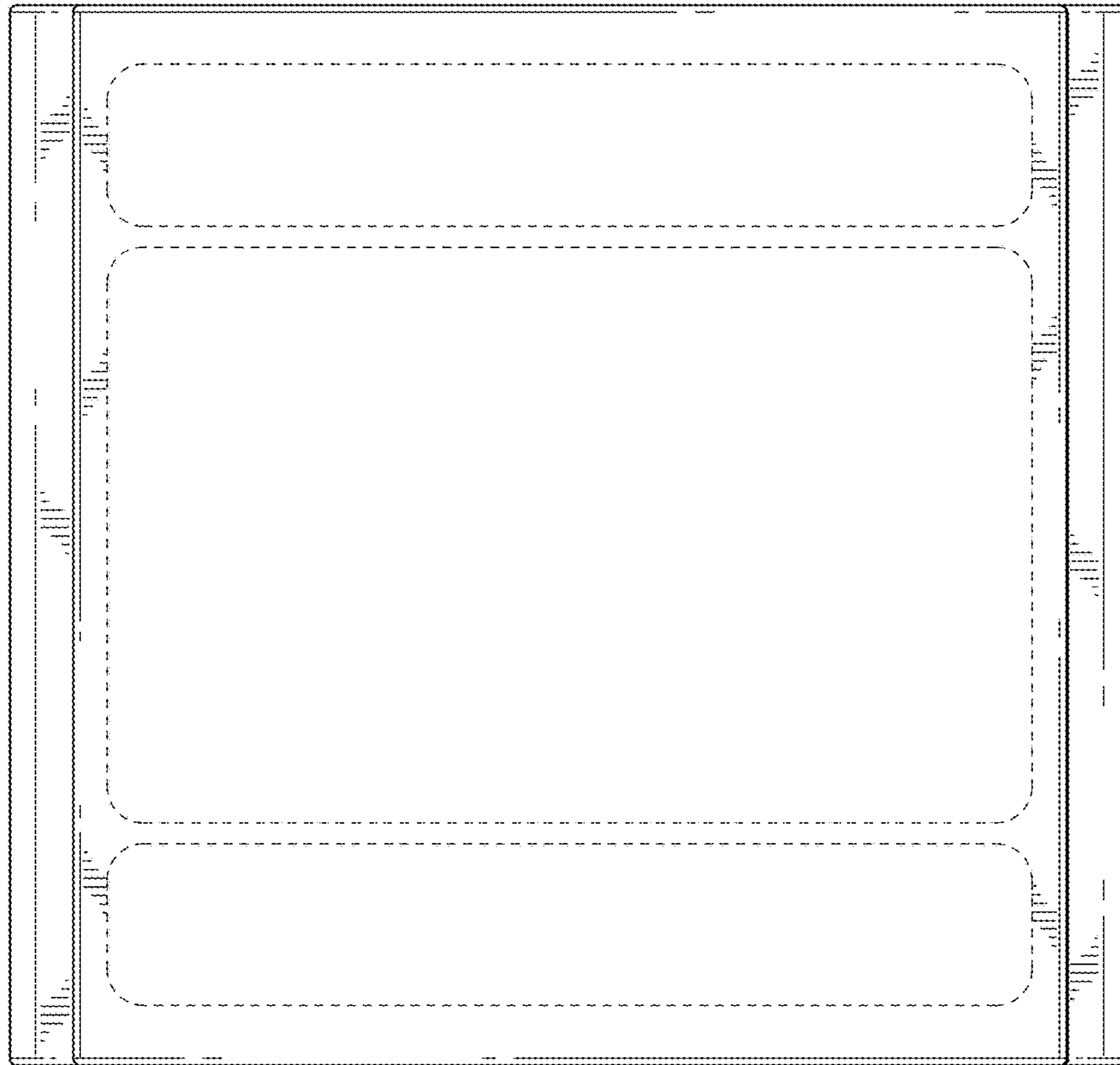


FIG. 2

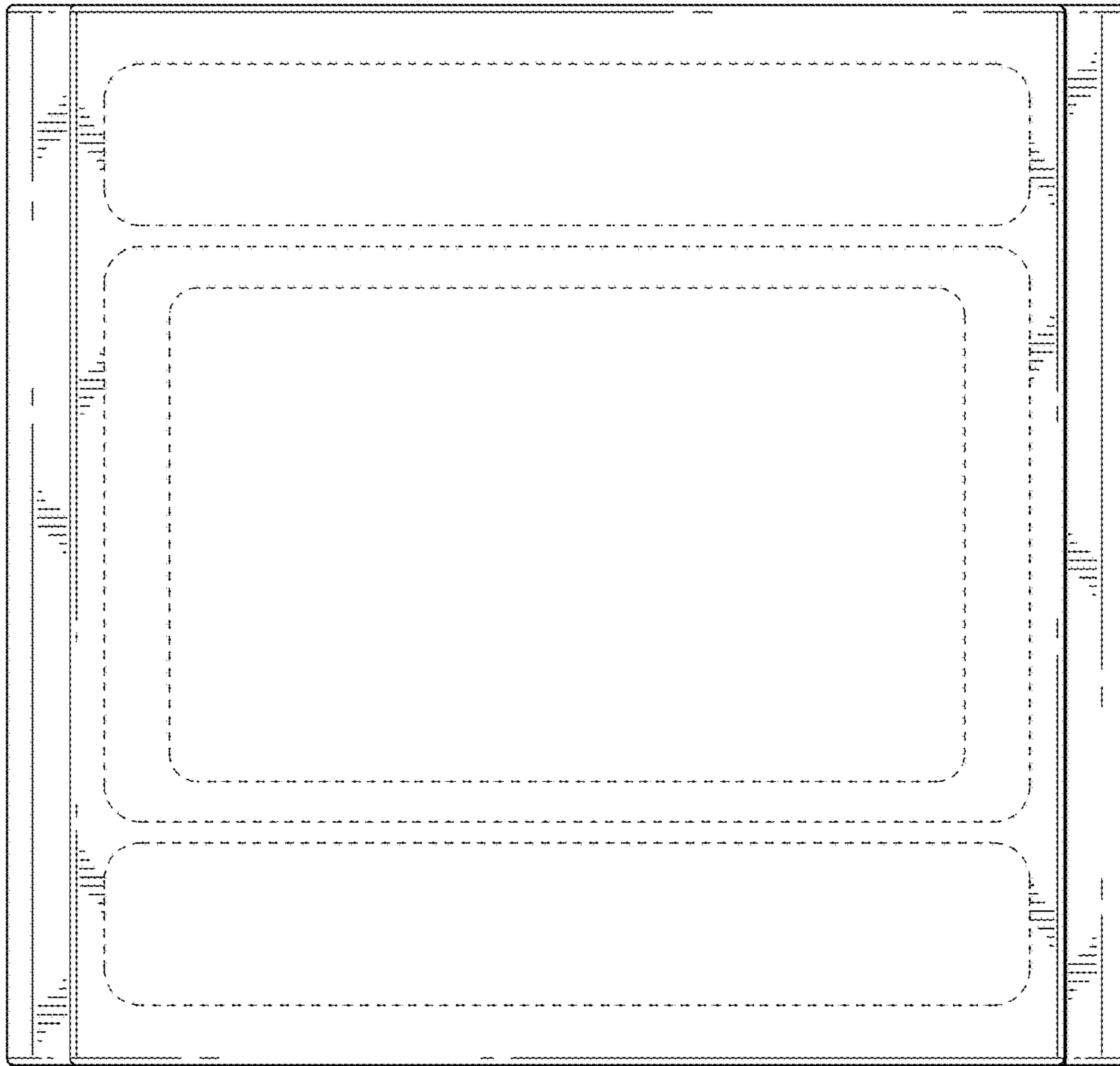


FIG. 3

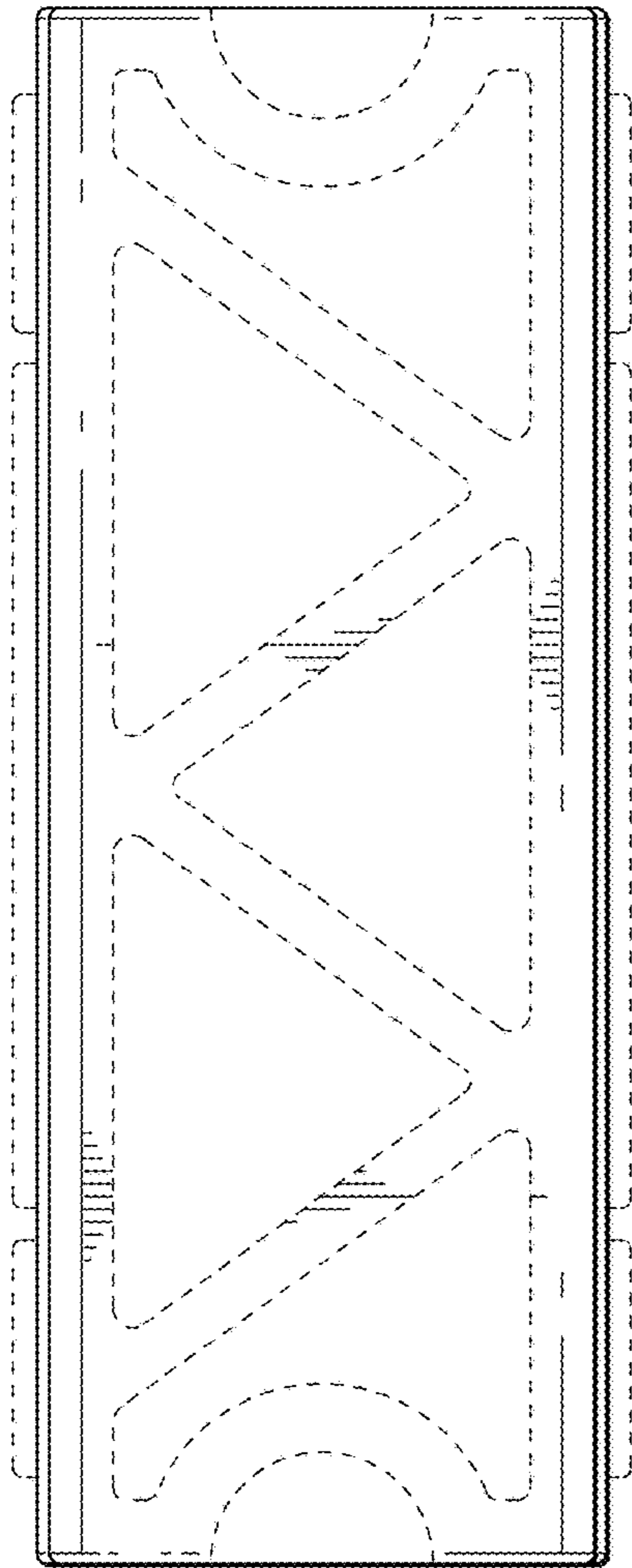


FIG. 4

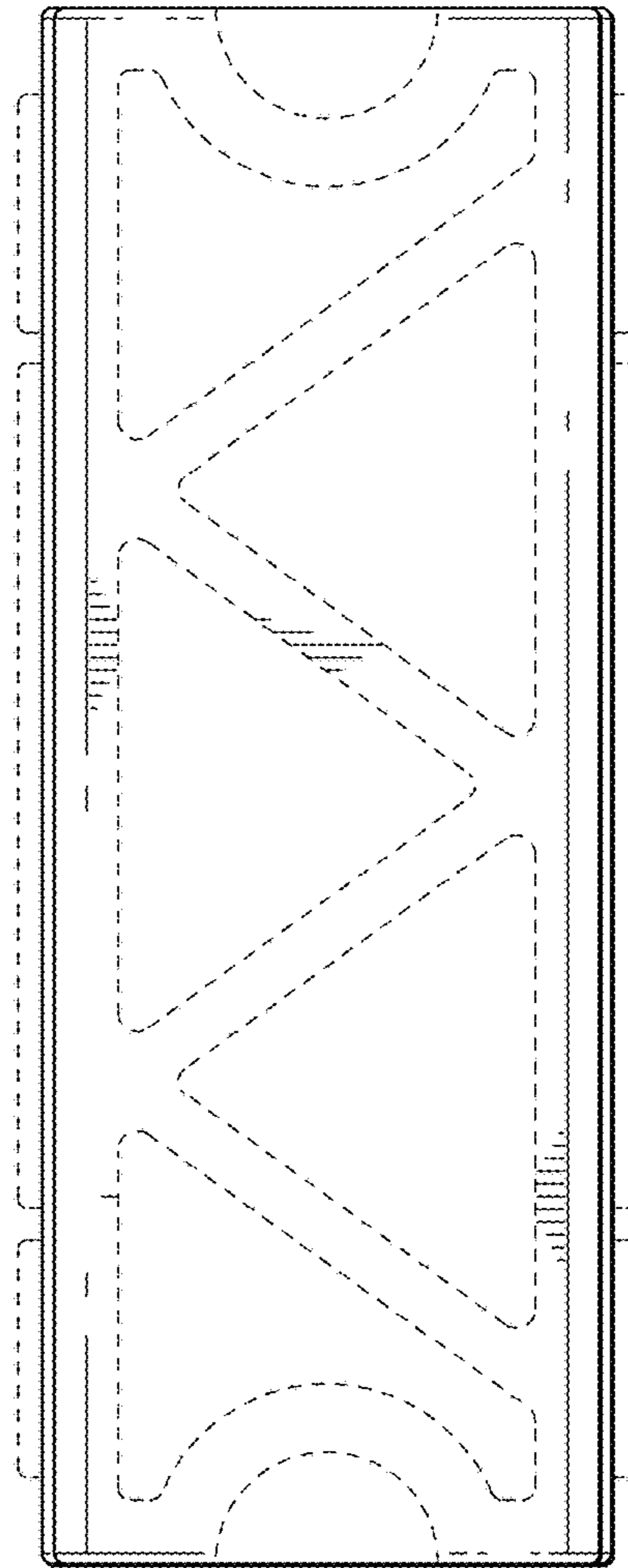


FIG. 5

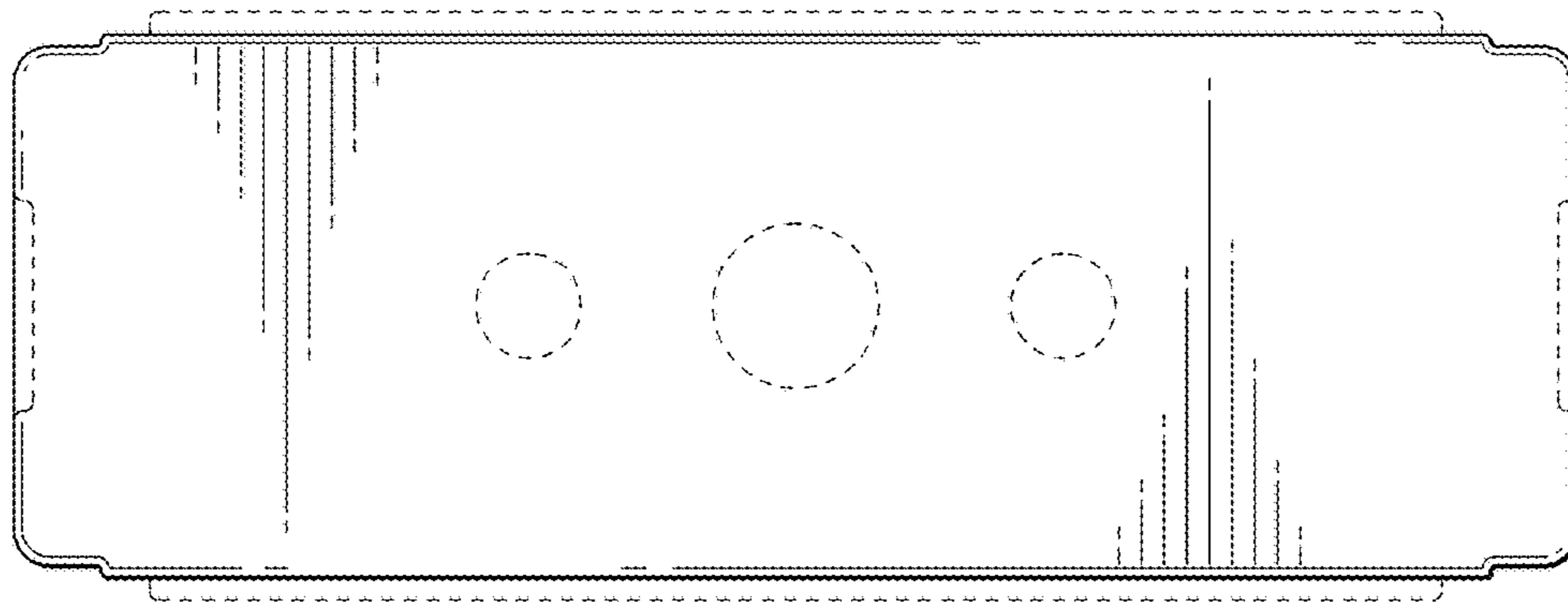


FIG. 6

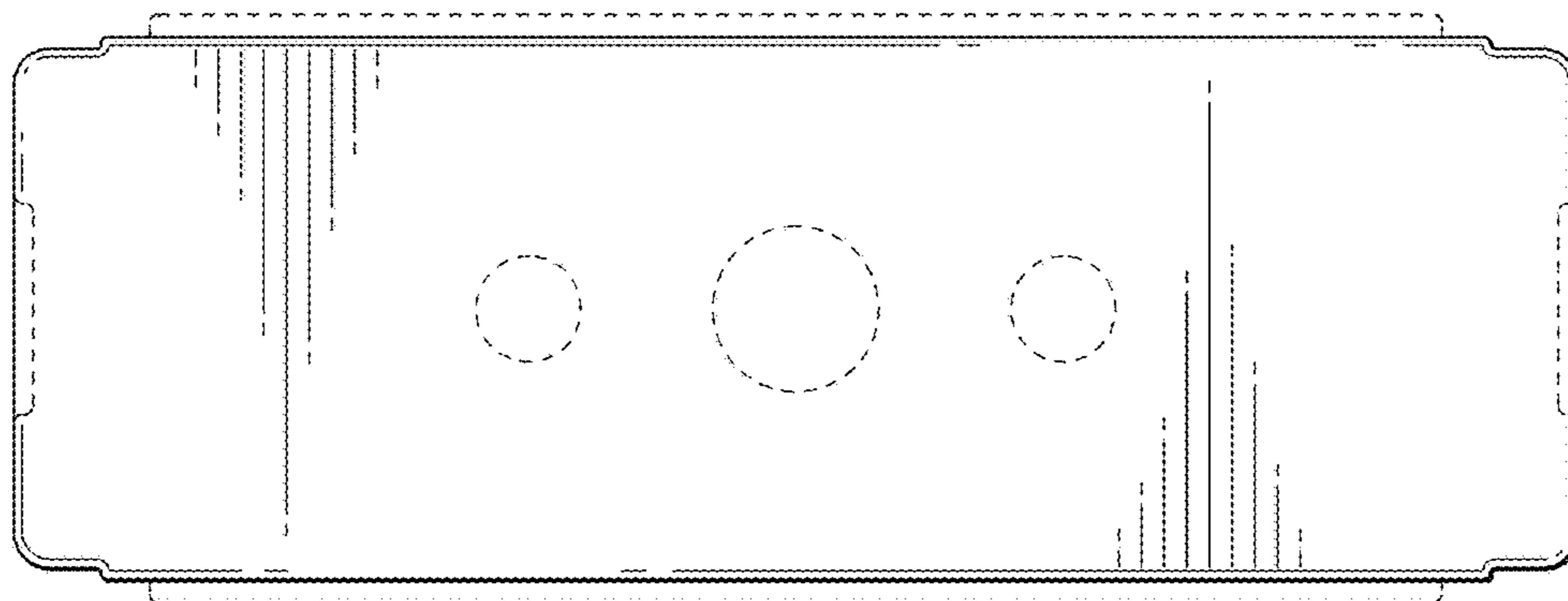


FIG. 7