



US00D806450S

(12) **United States Design Patent**
Seong

(10) **Patent No.:** **US D806,450 S**
(45) **Date of Patent:** **** Jan. 2, 2018**

(54) **STAND**
(71) Applicant: **Samsung Electronics Co., Ltd.**,
Suwon-si, Gyeonggi-do (KR)
(72) Inventor: **Bo-Kyung Seong**, Seoul (KR)
(73) Assignee: **Samsung Electronics Co., Ltd.**,
Suwon-Si (KR)
(**) Term: **15 Years**
(21) Appl. No.: **29/550,239**
(22) Filed: **Dec. 31, 2015**
(51) **LOC (11) Cl.** **06-04**
(52) **U.S. Cl.**
USPC **D6/672**
(58) **Field of Classification Search**
USPC D6/300, 310, 672, 682; D14/217, 447,
D14/253
CPC A47B 19/002; A47B 2023/049; A47B
23/042; G06F 1/1679; G06F 1/1601;
G06F 1/1616; F16M 11/10
See application file for complete search history.

D640,247 S * 6/2011 Baumann D14/253
D646,904 S * 10/2011 Feldstein D6/310
D649,153 S * 11/2011 Symons D14/447
D670,256 S * 11/2012 Kim D14/126
D682,285 S * 5/2013 Skinner D14/451
D683,141 S * 5/2013 Symons D14/447
D684,944 S * 6/2013 Seong D14/126
D690,708 S * 10/2013 Smith D14/447
D693,607 S * 11/2013 Johnson D6/672
D703,673 S * 4/2014 Kittlaus D14/447
D737,606 S * 9/2015 King D6/682
D788,762 S * 6/2017 Kim D14/253
D789,348 S * 6/2017 Kim D14/253
D791,861 S * 7/2017 Battle D14/447

* cited by examiner

Primary Examiner — John Windmuller
Assistant Examiner — Steven Czyz
(74) *Attorney, Agent, or Firm* — Wood Herron & Evans
LLP

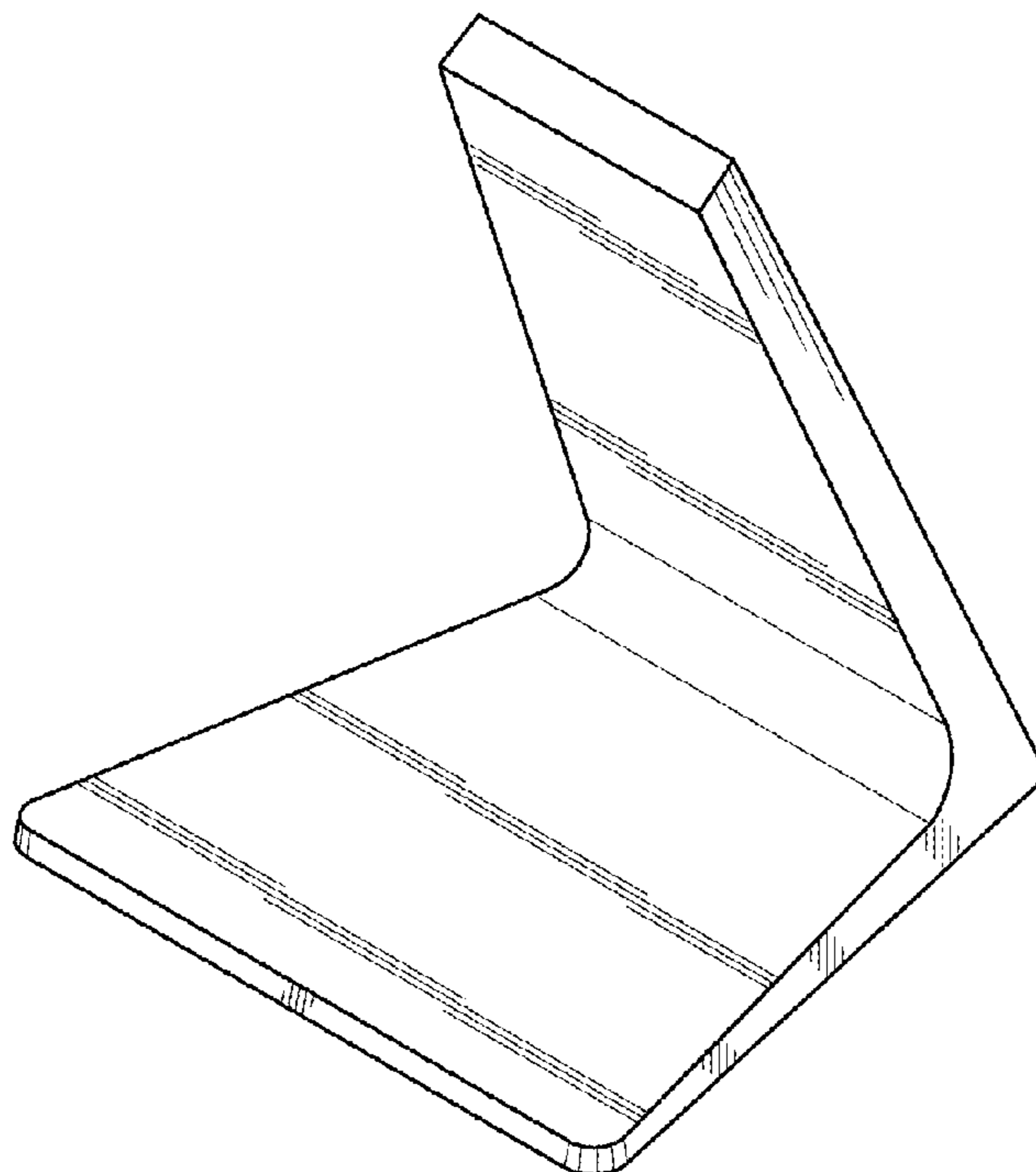
(57) **CLAIM**
The ornamental design for a stand, as shown and described.

DESCRIPTION

FIG. 1 is a top front perspective view of a stand showing my new design;
FIG. 2 is a front view thereof;
FIG. 3 is a rear view thereof;
FIG. 4 is a left side view thereof;
FIG. 5 is a right side view thereof;
FIG. 6 is a top view thereof; and,
FIG. 7 is a bottom view thereof.

1 Claim, 4 Drawing Sheets

(56) **References Cited**
U.S. PATENT DOCUMENTS
D242,413 S * 11/1976 Olson et al. D6/347
D251,426 S * 3/1979 Molyneux D14/229
D370,355 S * 6/1996 Kenney D6/310
D412,074 S * 7/1999 DeWitt D6/672
D424,330 S * 5/2000 DeWitt D6/672
D524,448 S * 7/2006 Telimaa D24/227



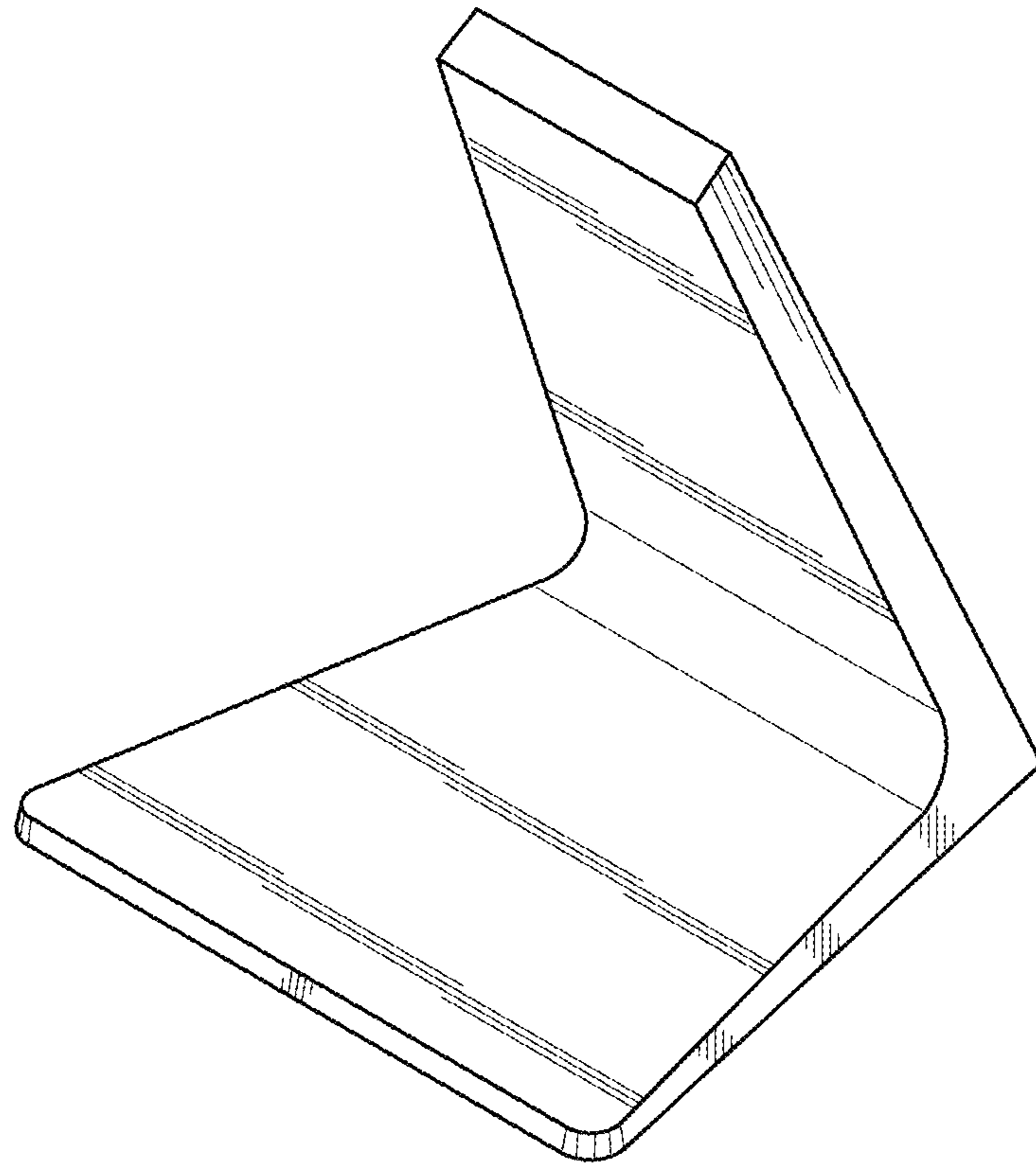


FIG.1

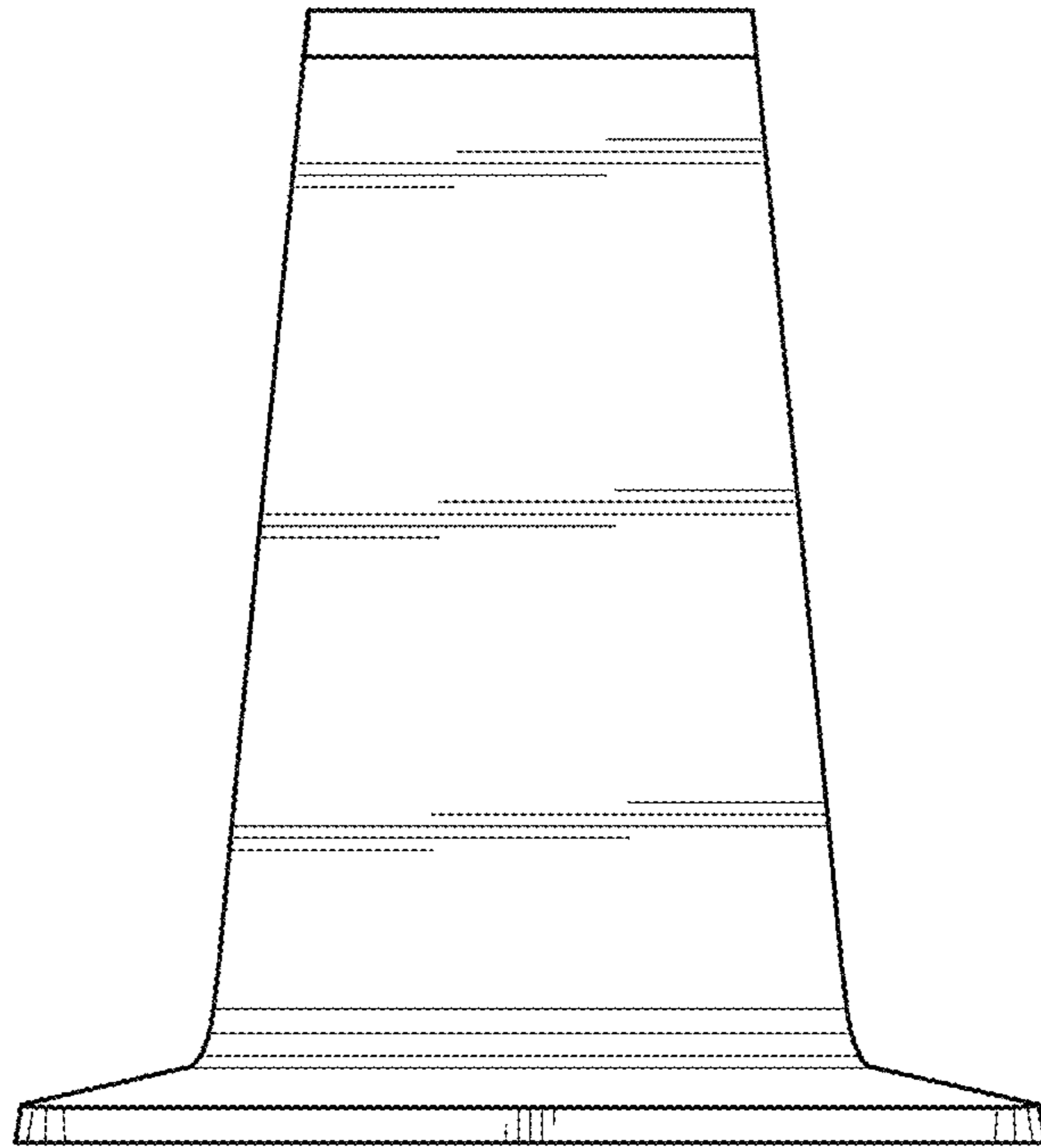


FIG. 2

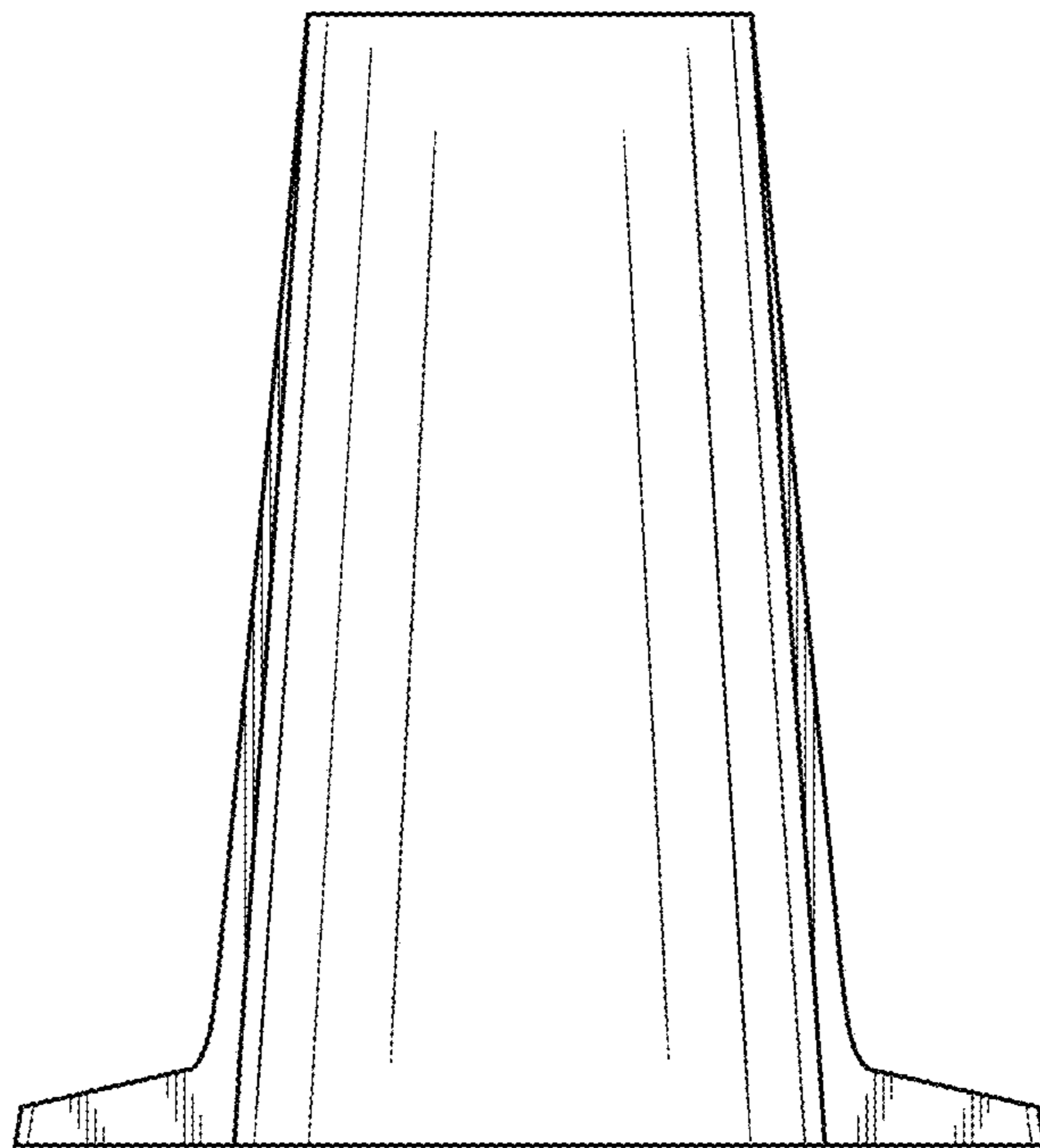


FIG. 3

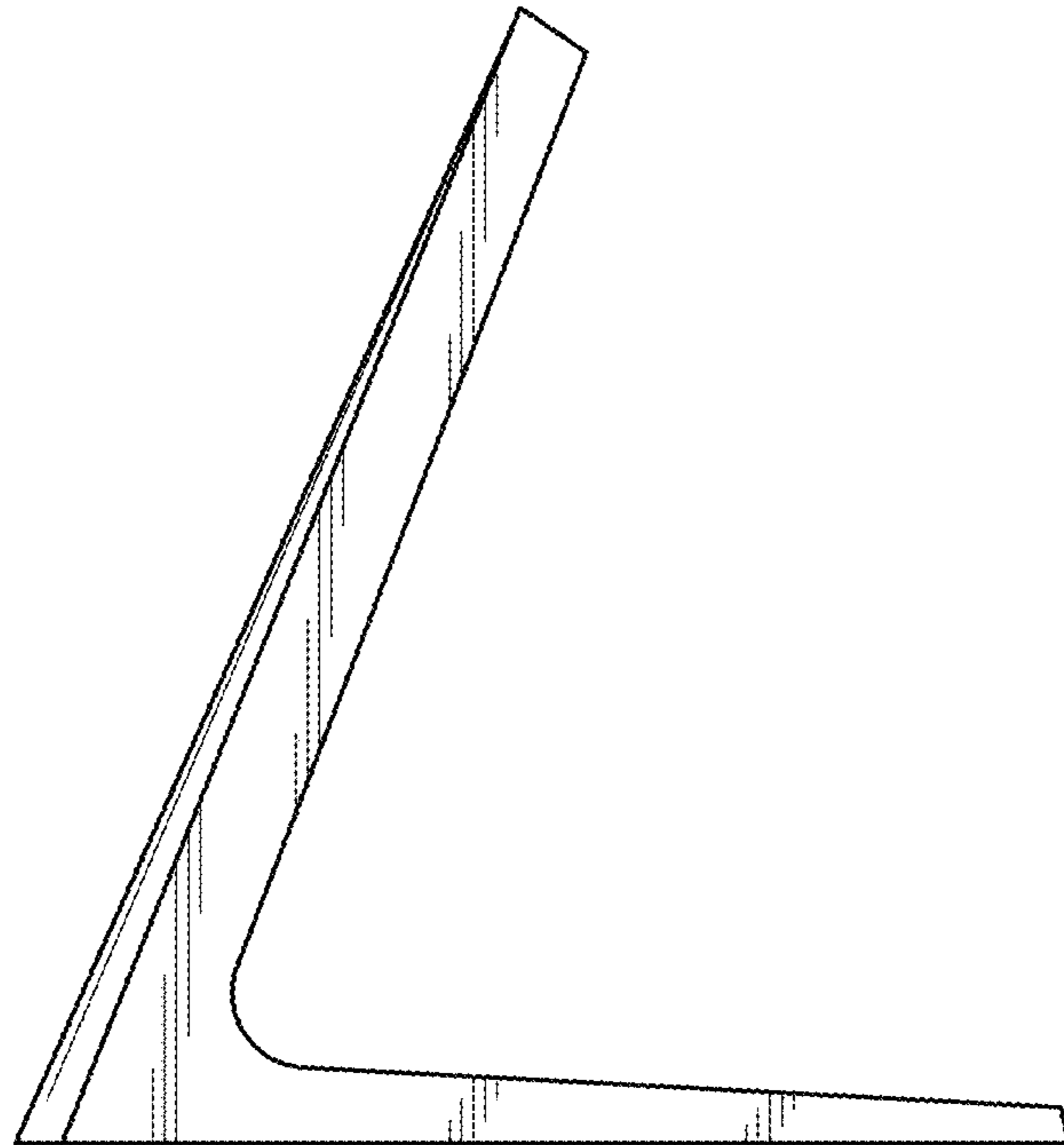


FIG. 4

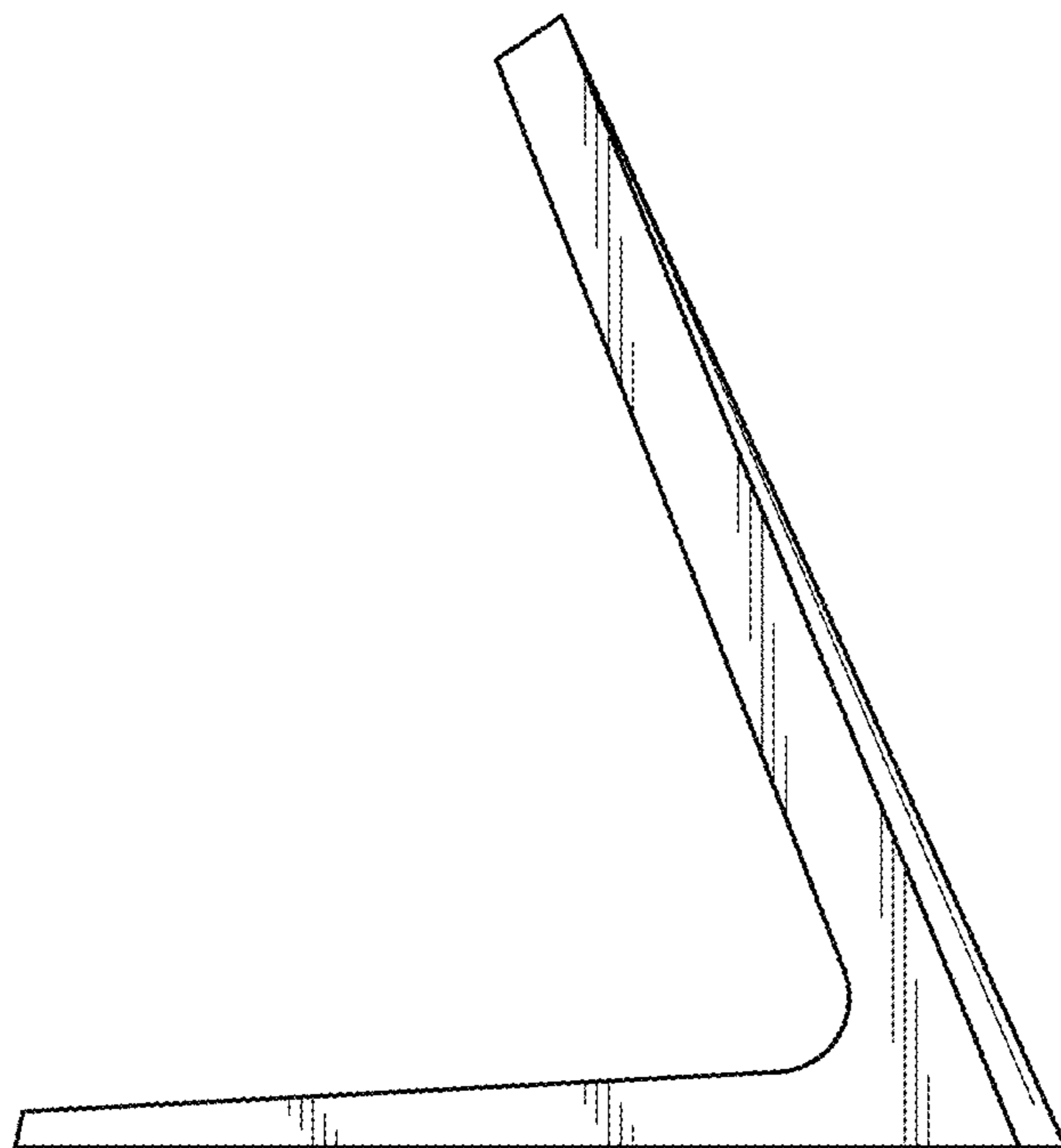


FIG. 5

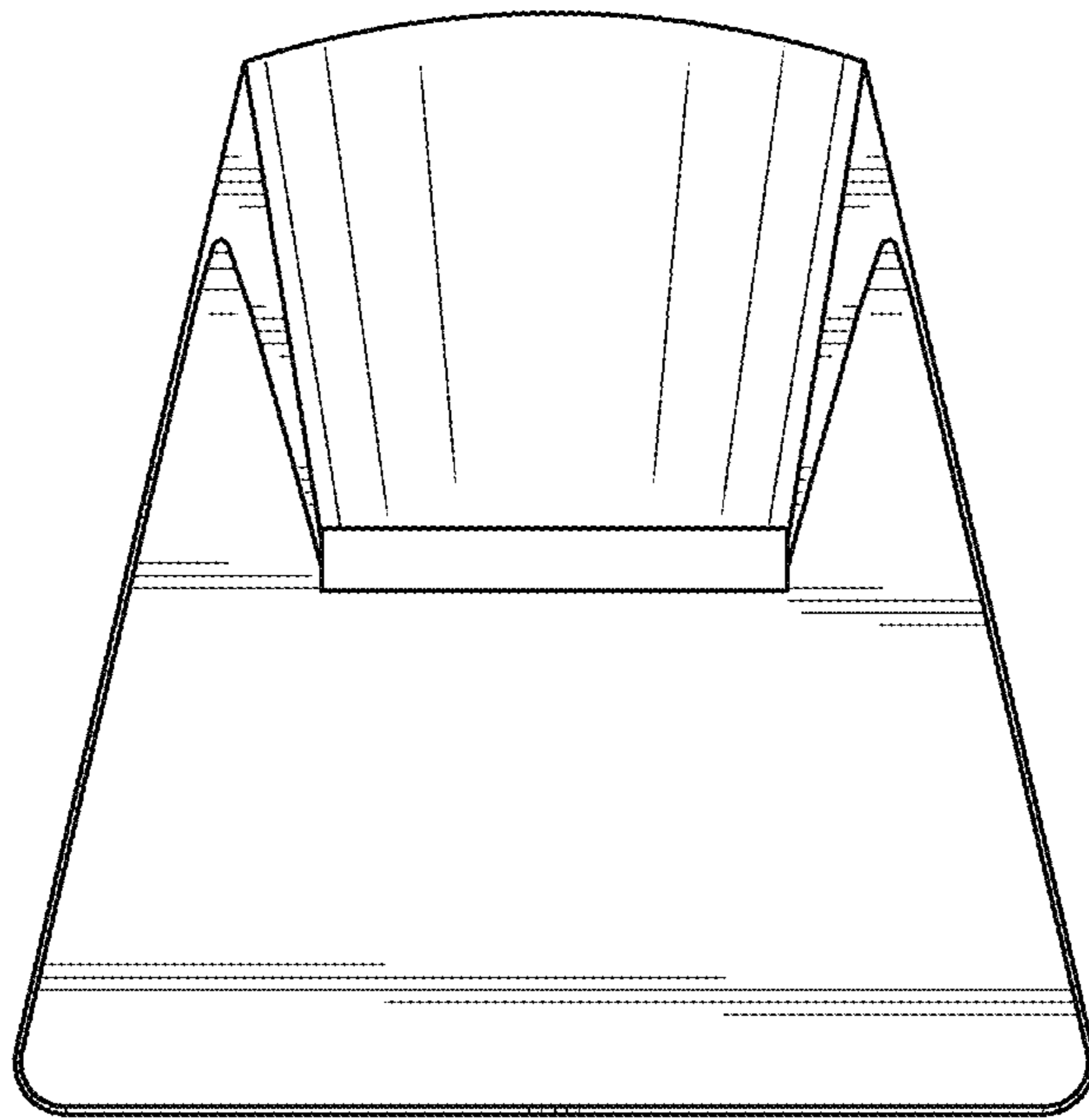


FIG. 6

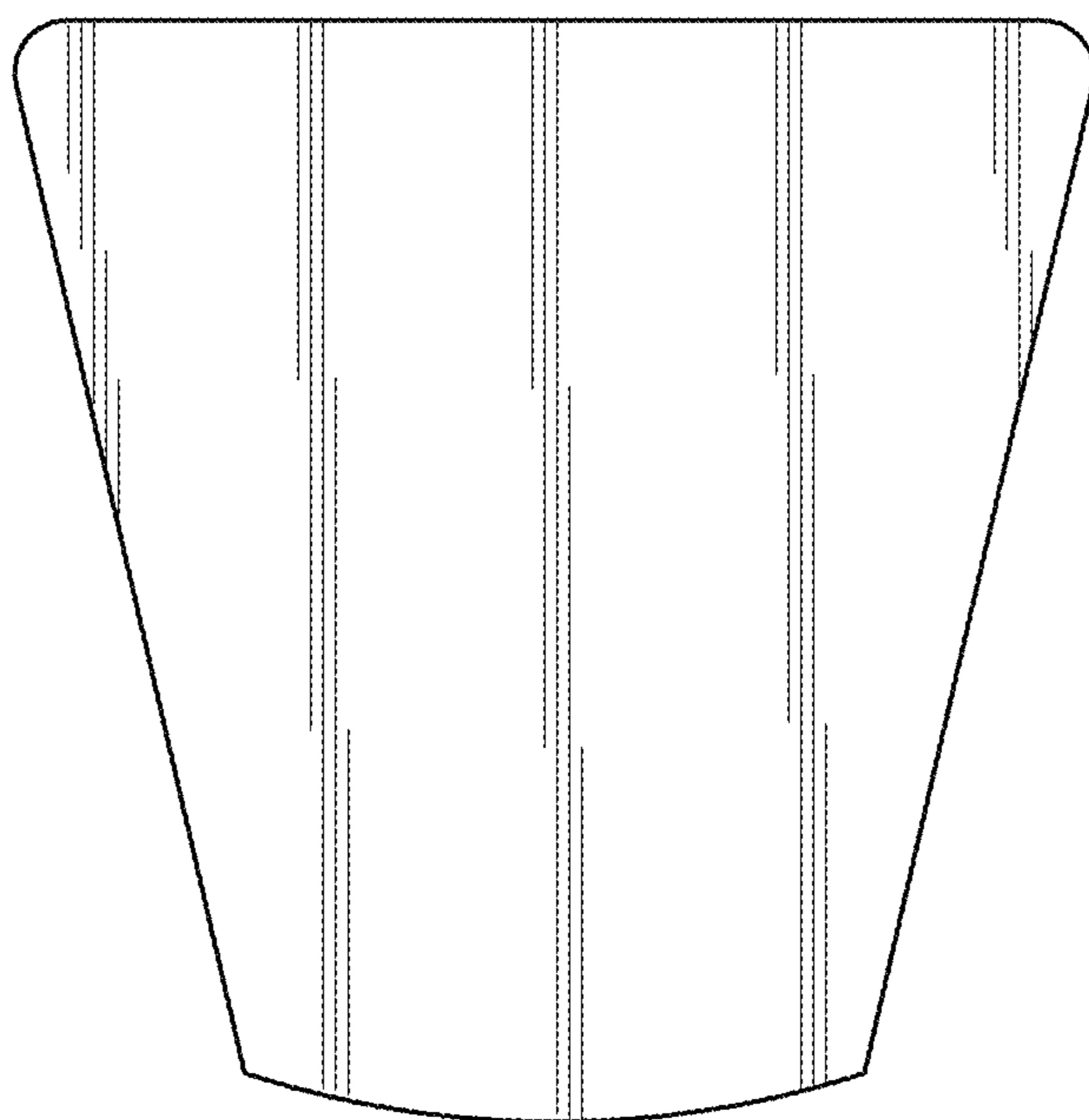


FIG. 7