



US00D806447S

(12) **United States Design Patent**
Burton et al.

(10) **Patent No.:** **US D806,447 S**
(45) **Date of Patent:** **** Jan. 2, 2018**

(54) **DISPLAY STAND**

(71) Applicant: **Sonos, Inc.**, Santa Barbara, CA (US)

(72) Inventors: **Maximillian Burton**, Santa Barbara, CA (US); **Quinn Huffstetler**, Santa Barbara, CA (US); **Hoang Nguyen**, Santa Barbara, CA (US); **Anthony Sperduti**, Santa Barbara, CA (US)

(73) Assignee: **Sonos, Inc.**, Santa Barbara, CA (US)

(**) Term: **15 Years**

(21) Appl. No.: **29/539,703**

(22) Filed: **Sep. 16, 2015**

(51) **LOC (11) Cl.** **06-04**

(52) **U.S. Cl.**
USPC **D6/657**

(58) **Field of Classification Search**
USPC D6/437, 478, 514, 643, 657, 660, 661,
D6/662.1, 663, 668.1, 668.2, 669, 671,
(Continued)

(56) **References Cited**

U.S. PATENT DOCUMENTS

D141,377 S * 5/1945 Miller D6/657
D233,970 S * 12/1974 Hodges D6/643
(Continued)

OTHER PUBLICATIONS

“Best Buy End-Cap”, InReality Marshall, Sep. 20, 2015, Retrieved from <https://web.archive.org/web/20150920010622/http://www.inreality.com/work/project/marshall-best-buy-display> on Jan. 31, 2017, 2 pages.

(Continued)

Primary Examiner — Manpreet Matharu

Assistant Examiner — Keith Wilson

(74) *Attorney, Agent, or Firm* — KPPB LLP

(57) **CLAIM**

The ornamental design for a display stand, as shown and described.

DESCRIPTION

FIG. 1 is an isometric view of a display stand of indeterminate length in accordance with a first embodiment of the invention.

FIG. 2 is a front elevational view of the display stand in accordance with the first embodiment of the invention.

FIG. 3 is a rear elevational view of the display stand in accordance with the first embodiment of the invention.

FIG. 4 is a first elevational side view of the display stand in accordance with the first embodiment of the invention.

FIG. 5 is a second elevational side view of the display stand in accordance with the first embodiment of the invention.

FIG. 6 is an isometric view of a display stand in accordance with a second embodiment of the invention.

FIG. 7 is a front elevational view of the display stand in accordance with the second embodiment of the invention.

FIG. 8 is a rear elevational view of the display stand in accordance with the second embodiment of the invention.

FIG. 9 is a first side elevational view of the display stand in accordance with the second embodiment of the invention.

FIG. 10 is a second side elevational view of the display stand in accordance with the second embodiment of the invention.

FIG. 11 is an isometric view of a display stand in accordance with a third embodiment of the invention.

FIG. 12 is a front elevational view of the display stand in accordance with the third embodiment of the invention.

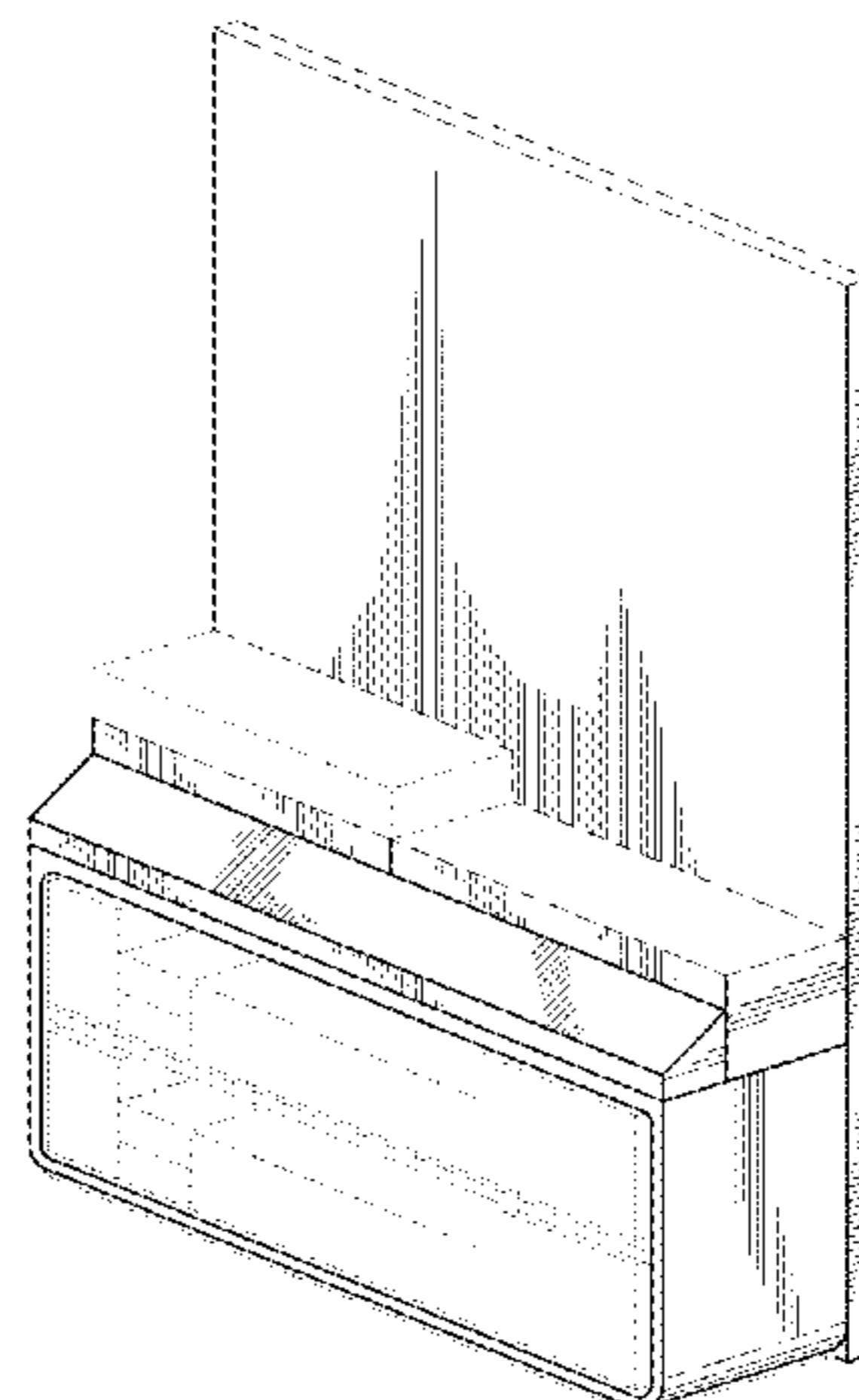
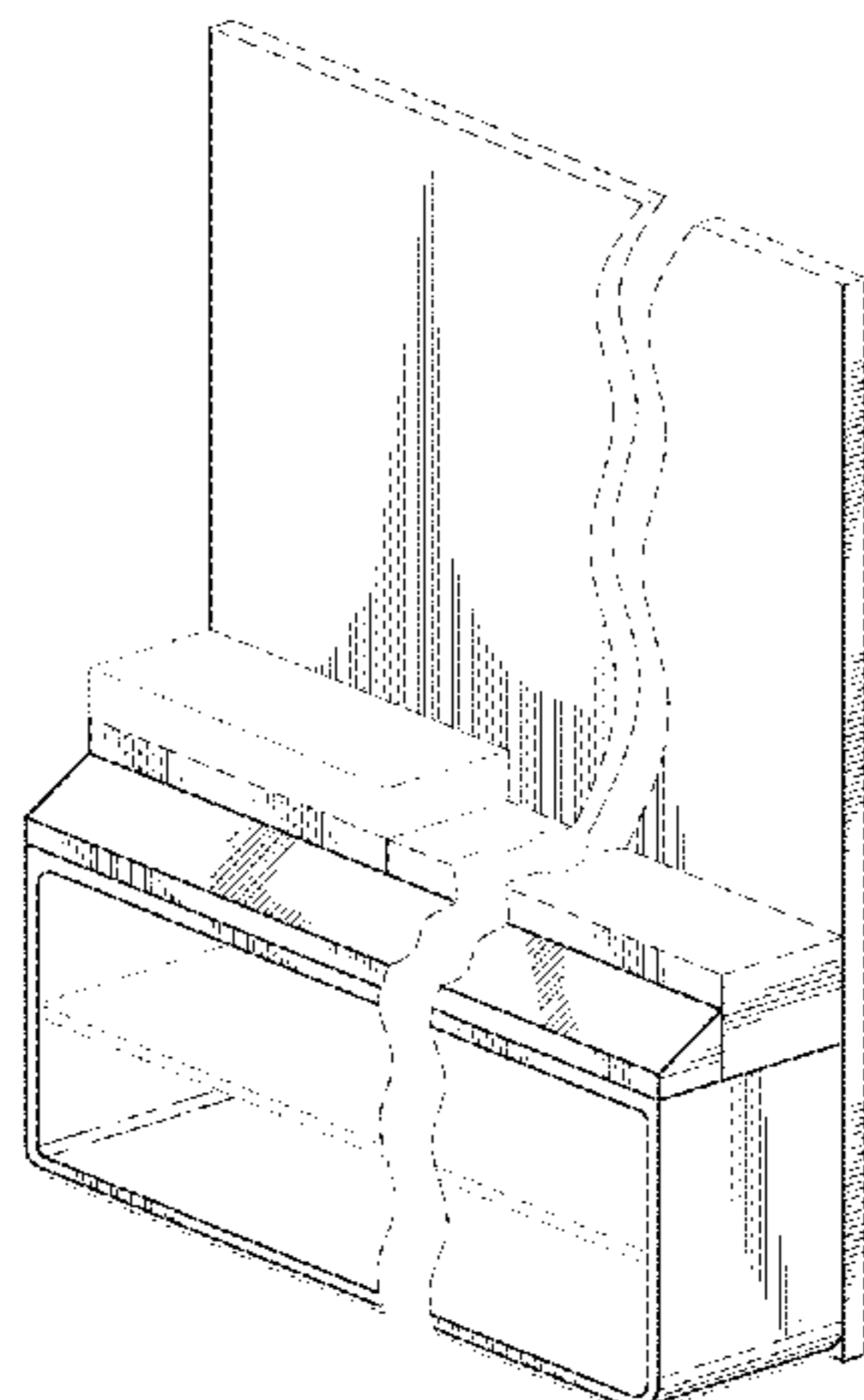
FIG. 13 is a rear elevational view of the display stand in accordance with the third embodiment of the invention.

FIG. 14 is a first side elevational view of the display stand in accordance with the third embodiment of the invention; and,

FIG. 15 is a second side elevational view of the display stand in accordance with the third embodiment of the invention.

Any shading on the figures is provided only to distinguish between the flat and contoured portions of the display stand, such shading patterns are not intended to be viewed as part of the claimed display stand. The dash-dash broken lines

(Continued)



define the bounds of the claimed design and do not form part of the claimed design. The dot-dot broken lines illustrate environment and do not form part of the claimed design. Furthermore, the figures illustrate a number of new original, and ornamental designs for display stands in addition to the claimed design.

1 Claim, 9 Drawing Sheets

(58) **Field of Classification Search**

USPC D6/671.1, 672, 675.1, 678.1, 678.2, D6/682.6, 683, 683.1; 312/118, 138.1; 108/92; 211/135; 248/176.3; D34/19, D34/20

CPC A47F 3/06; A47F 5/013; A47F 7/0014; A47F 7/14; A47F 17/04

See application file for complete search history.

(56) **References Cited**

U.S. PATENT DOCUMENTS

D274,203 S	6/1984	Everett	
D287,443 S *	12/1986	Norling	D6/682.6
D300,887 S *	5/1989	Evans	D6/657
D365,706 S *	1/1996	Campbell	D6/683.1
D393,963 S *	5/1998	Mansour	D6/662
D464,498 S	10/2002	Riga et al.	
D568,632 S *	5/2008	Suzuki	D6/657
D584,902 S *	1/2009	Neff	D6/657
D591,078 S	4/2009	Singler et al.	
D632,903 S	2/2011	Paul	
D637,421 S *	5/2011	Theisen	D6/675.1
D637,422 S *	5/2011	Theisen	D6/675.1

D729,560 S *	5/2015	Hamm	D6/702
D730,665 S	6/2015	Murakami et al.	
D733,088 S	6/2015	Garneau et al.	
D744,770 S *	12/2015	Middendorf	D6/662.1
D756,137 S	5/2016	Abelmann et al.	
D758,105 S *	6/2016	Taraczky	D6/672
D758,106 S *	6/2016	Hamm	D6/672
D779,859 S	2/2017	Richardson et al.	
D785,975 S	5/2017	Thaler et al.	
D785,994 S	5/2017	Brown et al.	

OTHER PUBLICATIONS

“ROBO 3D Introduces New Personal 3D Printers at Select Best Buy Locations”, Point of Purchase International Network, Dec. 1, 2015, <http://www.popin.net/robo-3d-introduces-new-personal-3d-printers-at-select-best-buy-locations/> on Jan. 31, 2017, 8 pages.

Kready, Sean, “Chromebooks: best buy display: The (always) new computer”, goCHRoMEgle stuff, Jul. 23, 2012, Retrieved from <http://gochromeglestuff.blogspot.com/2012/07/chromebooks-best-buy-display-always-new.html> on Jan. 31, 2017, 5 pages.

Mora, Sergio, “Samsung TV LCD Exhibition”, Aug. 9, 2014, Retrieved from <http://www.coroflot.com/sergiomora/SAMSUNG-TV-LCD-EXHIBITION> on Jan. 31, 2017, 3 pages.

Hollen, Jim, “Point of Purchase Design for HD Digital Audio System- One of Our All-Time Coolest POP Displays”, Rich Limited, Apr. 26, 2016, retrieved from <http://blog.richltd.com/blog/point-of-purchase-design-for-hd-digital-audio-system-one-of-our-all-time-coolest-pop-displays> on Oct. 26, 2017, 8 pages.

Mick, Jason, “Fitbit’s \$249 Surge Fitness Watch Packs 7-Day Battery Life, Two Other Models Also Air”, Daily Tech, Oct. 27, 2014, retrieved from <http://www.dailytech.com/Fitbits+249+Surge+Fitness+Watch+Packs+7Day+Battery+Life+Two+Other+Models+Also+Air/article36782.htm> on Oct. 26, 2017, 6 pages.

* cited by examiner

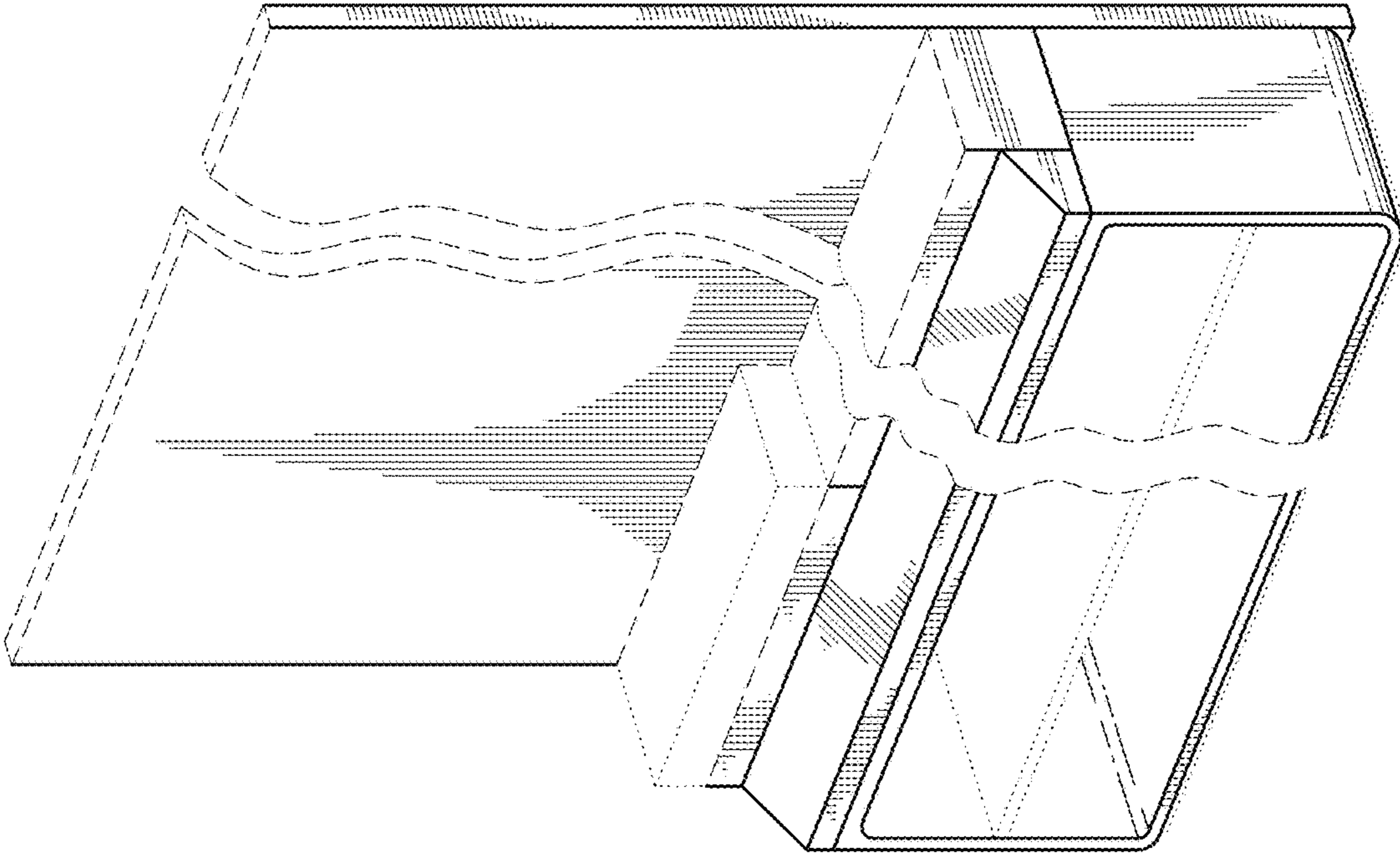


FIG. 1

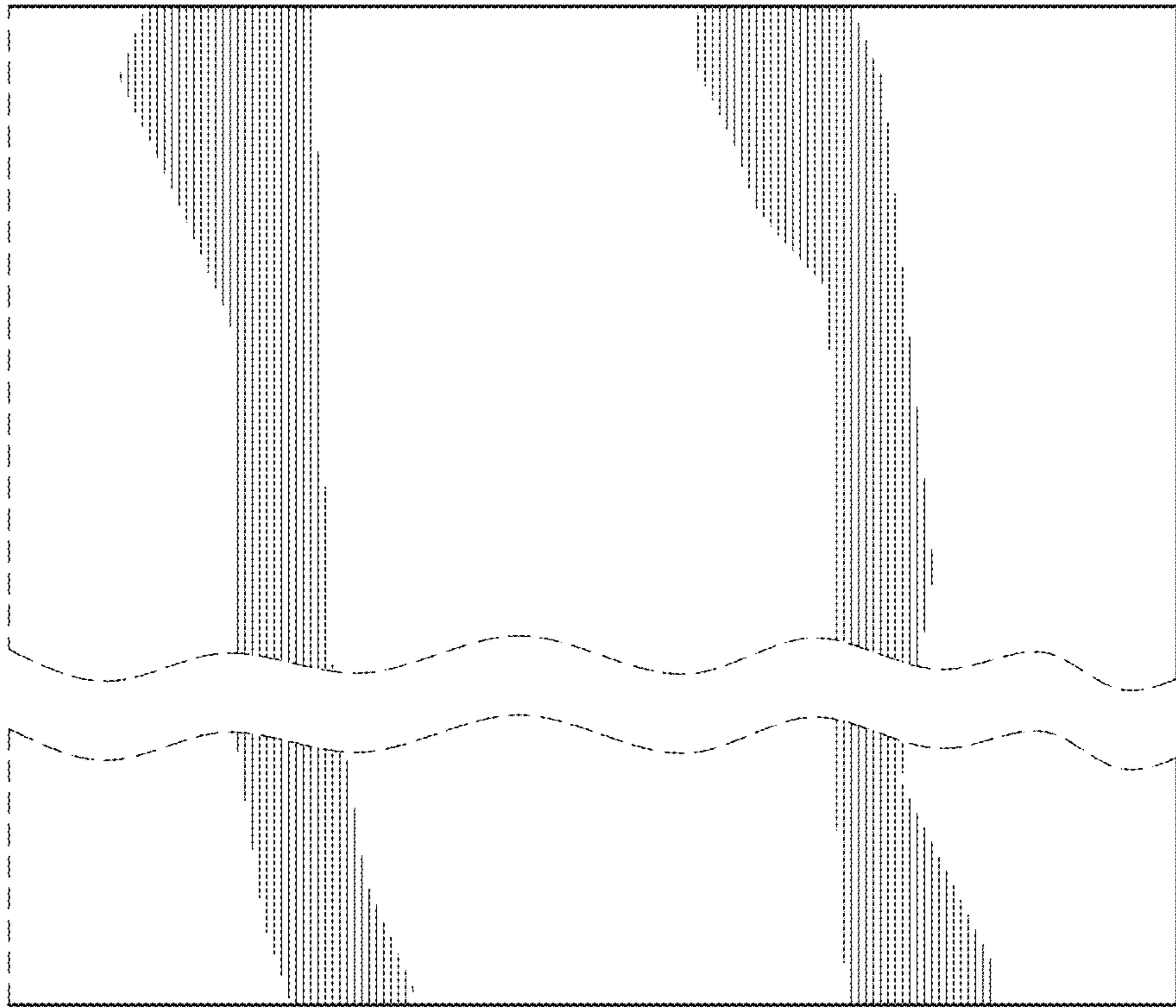


FIG. 3

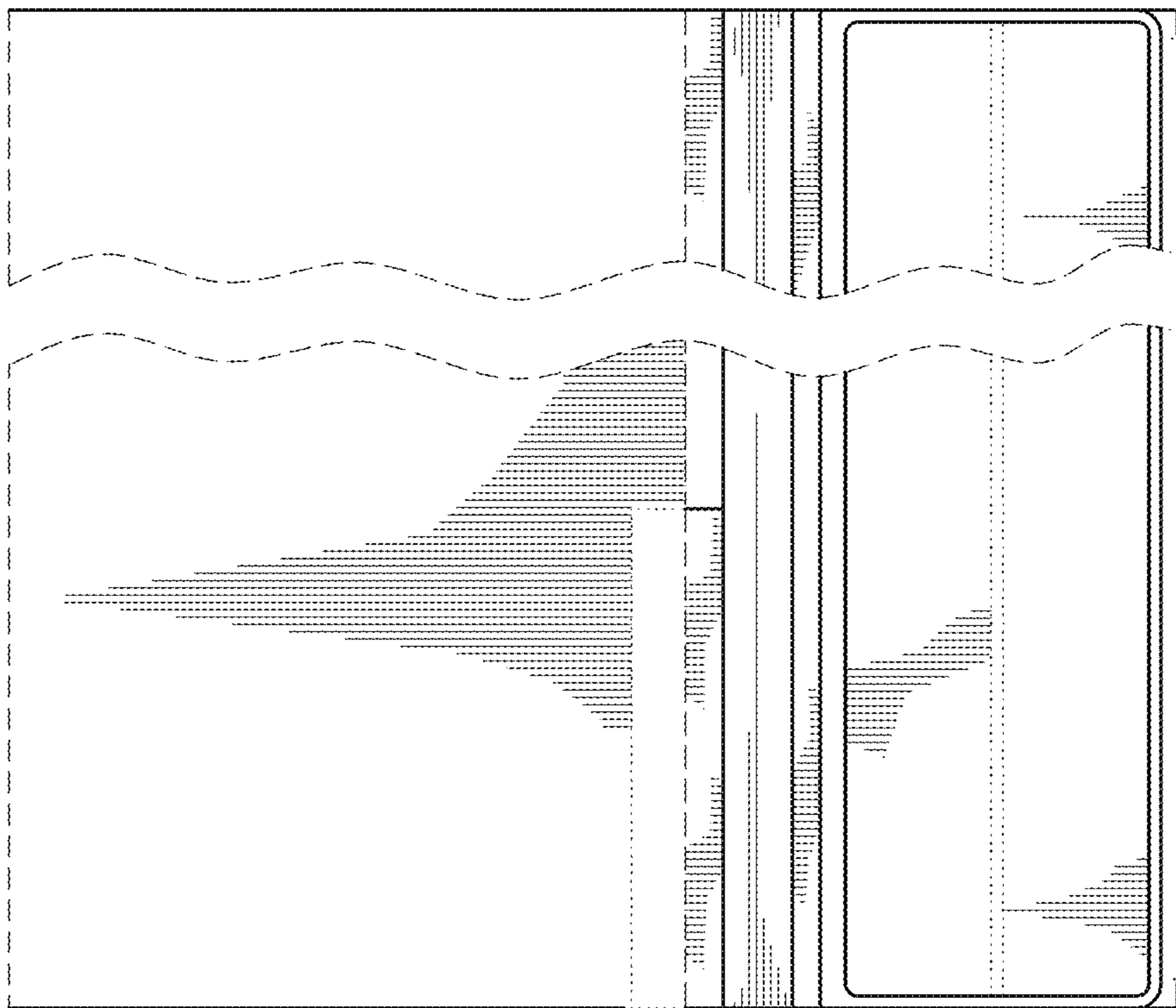


FIG. 2

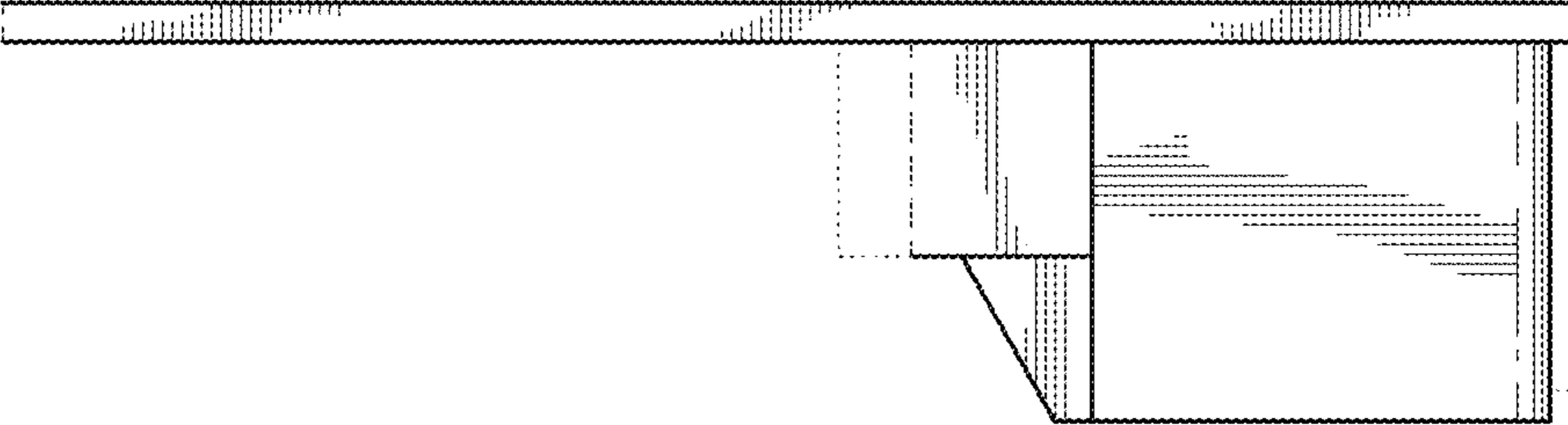


FIG. 5

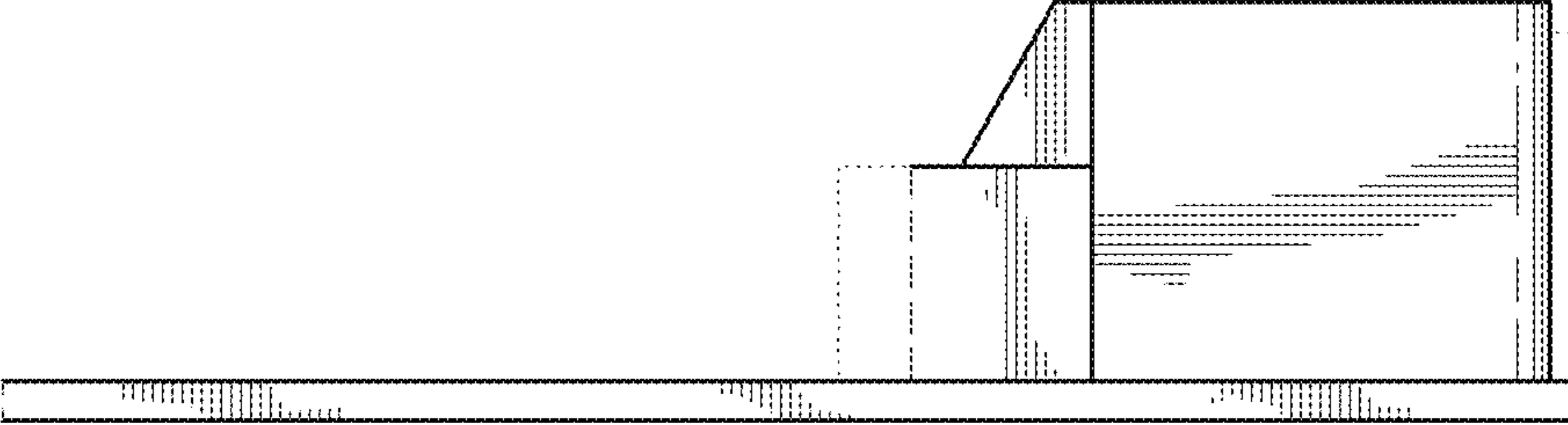


FIG. 4

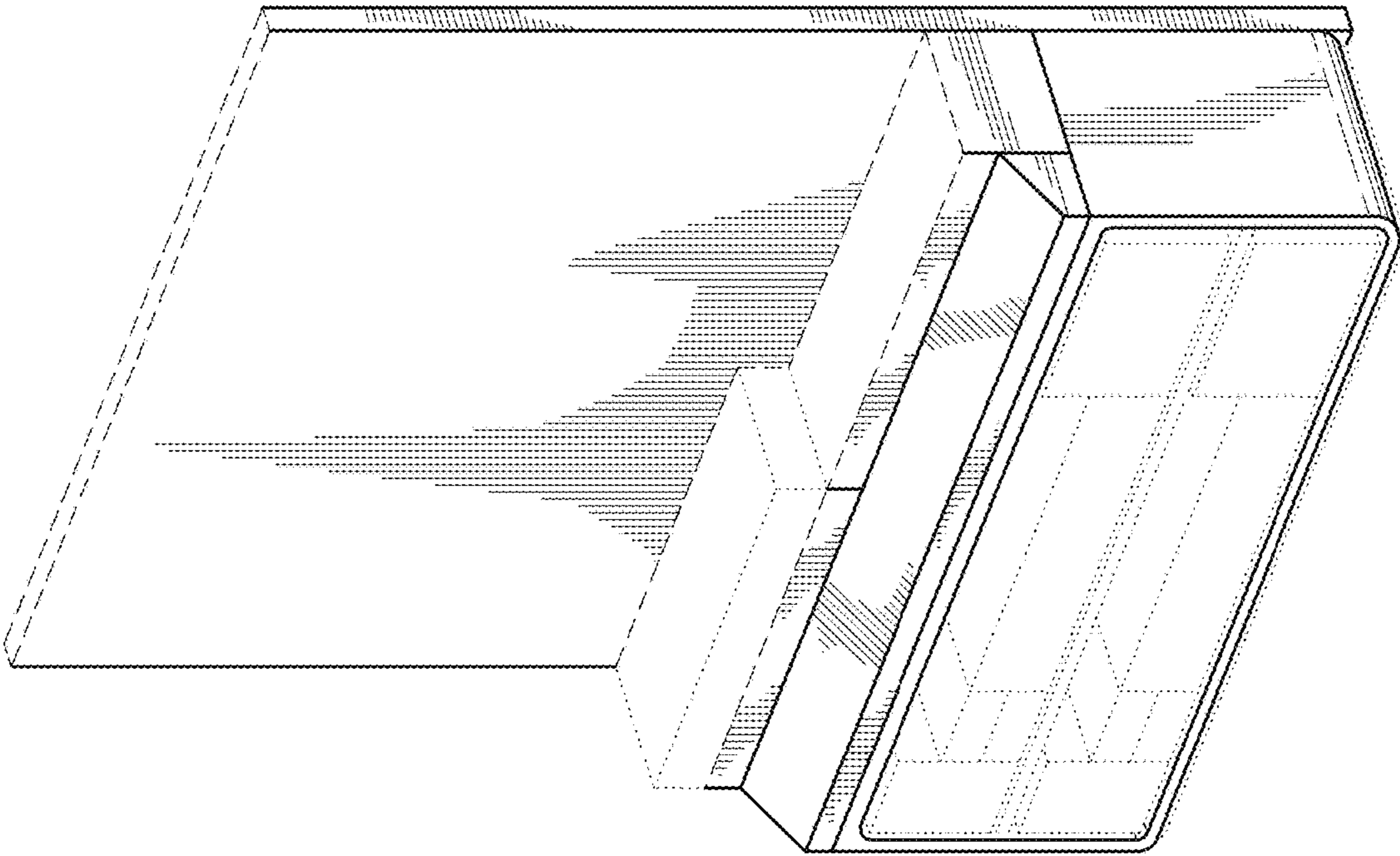


FIG. 6



FIG. 8

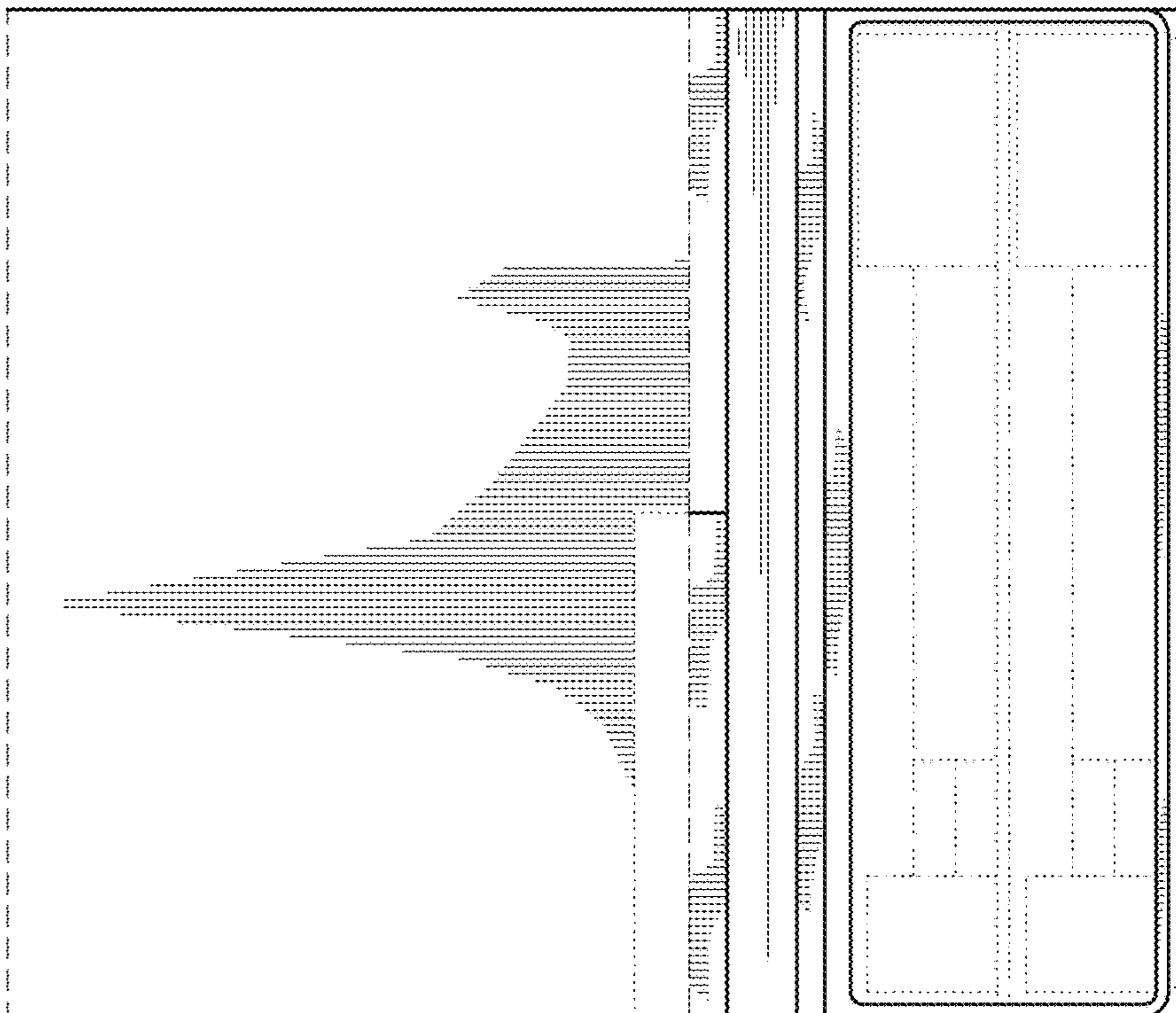


FIG. 7

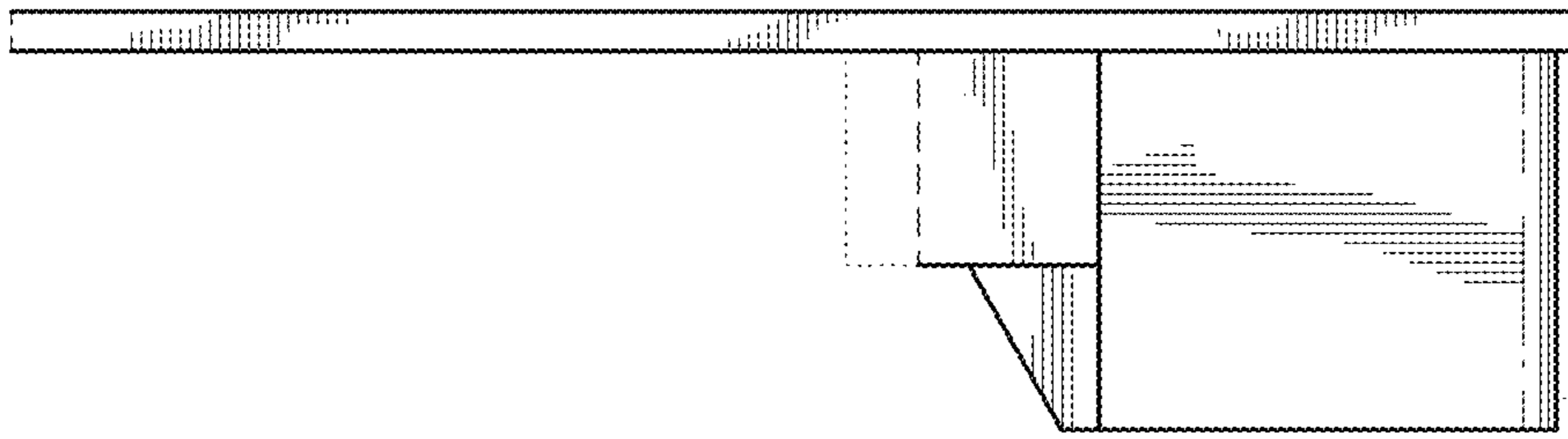


FIG. 10

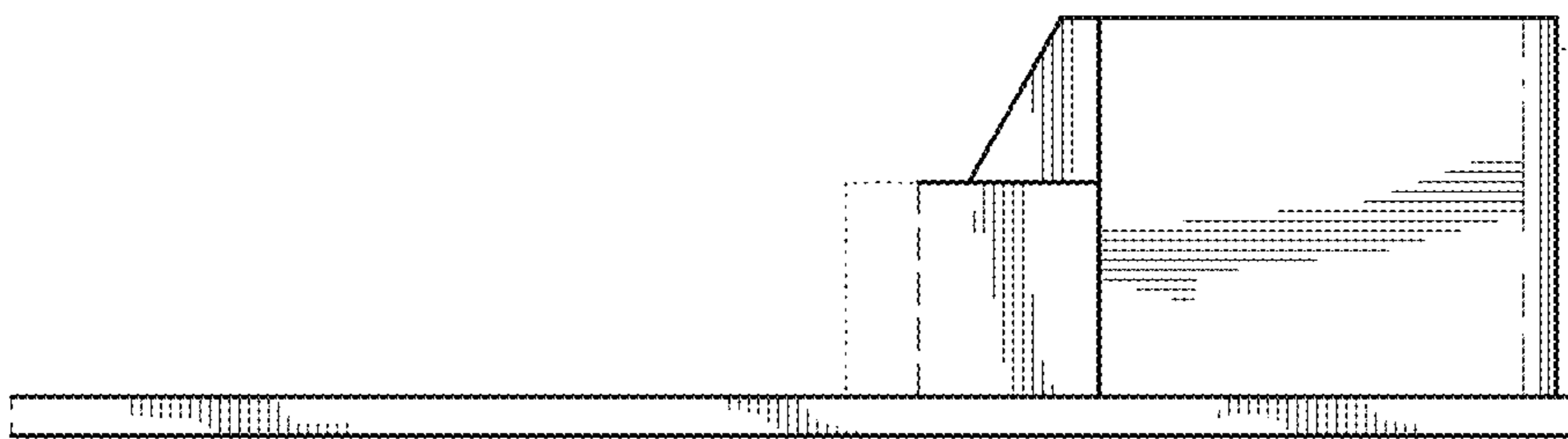


FIG. 9

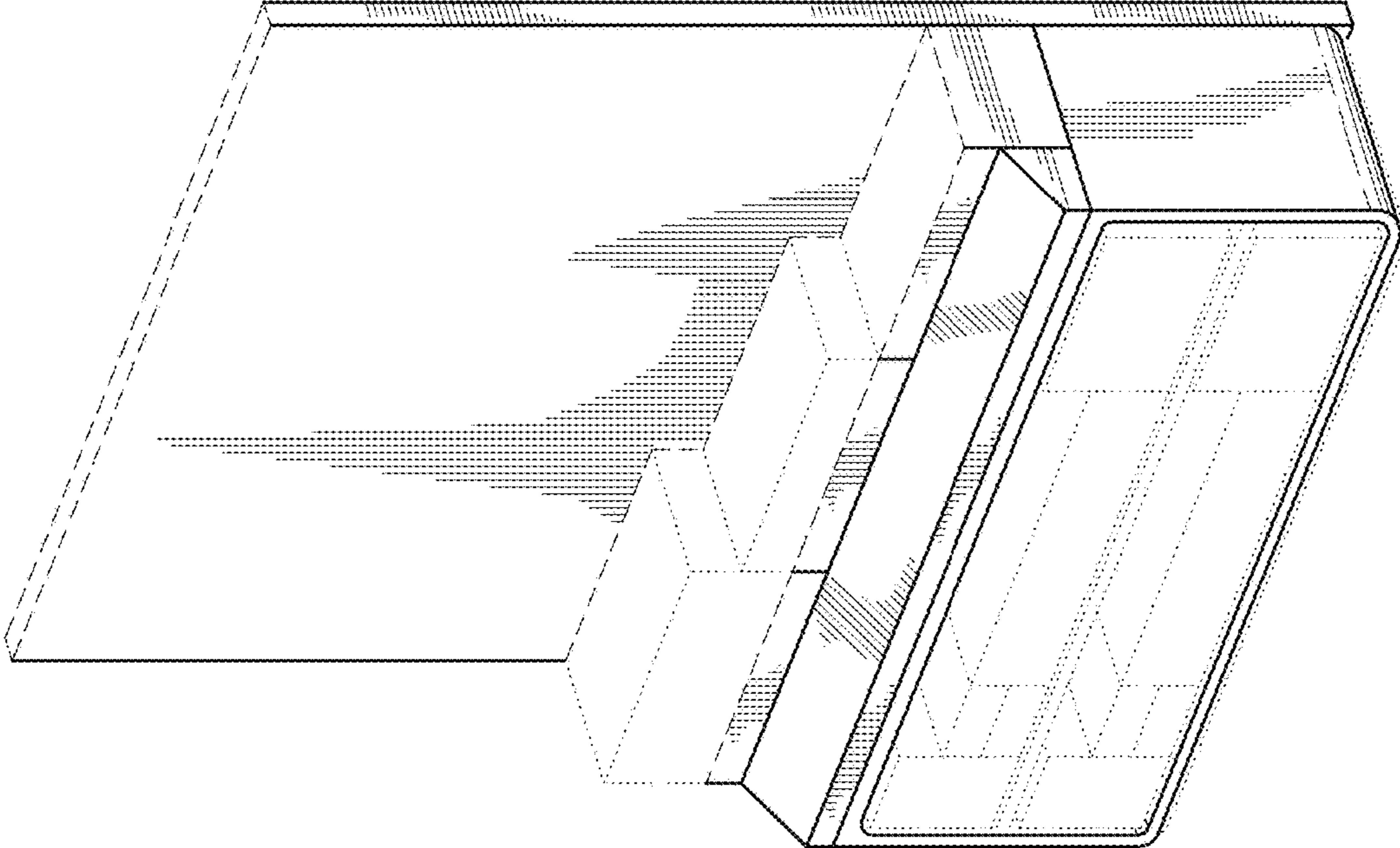


FIG. 11

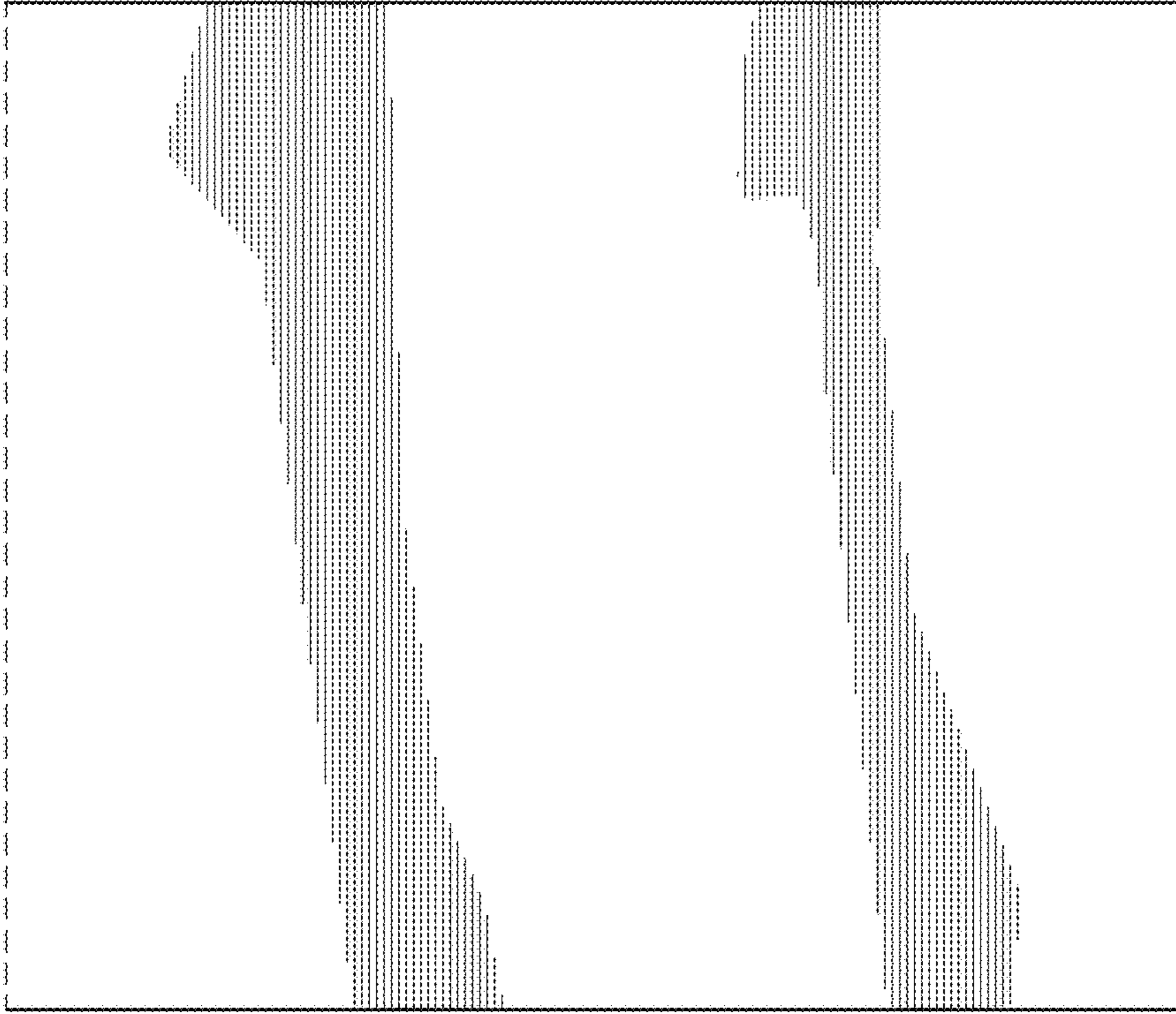


FIG. 13

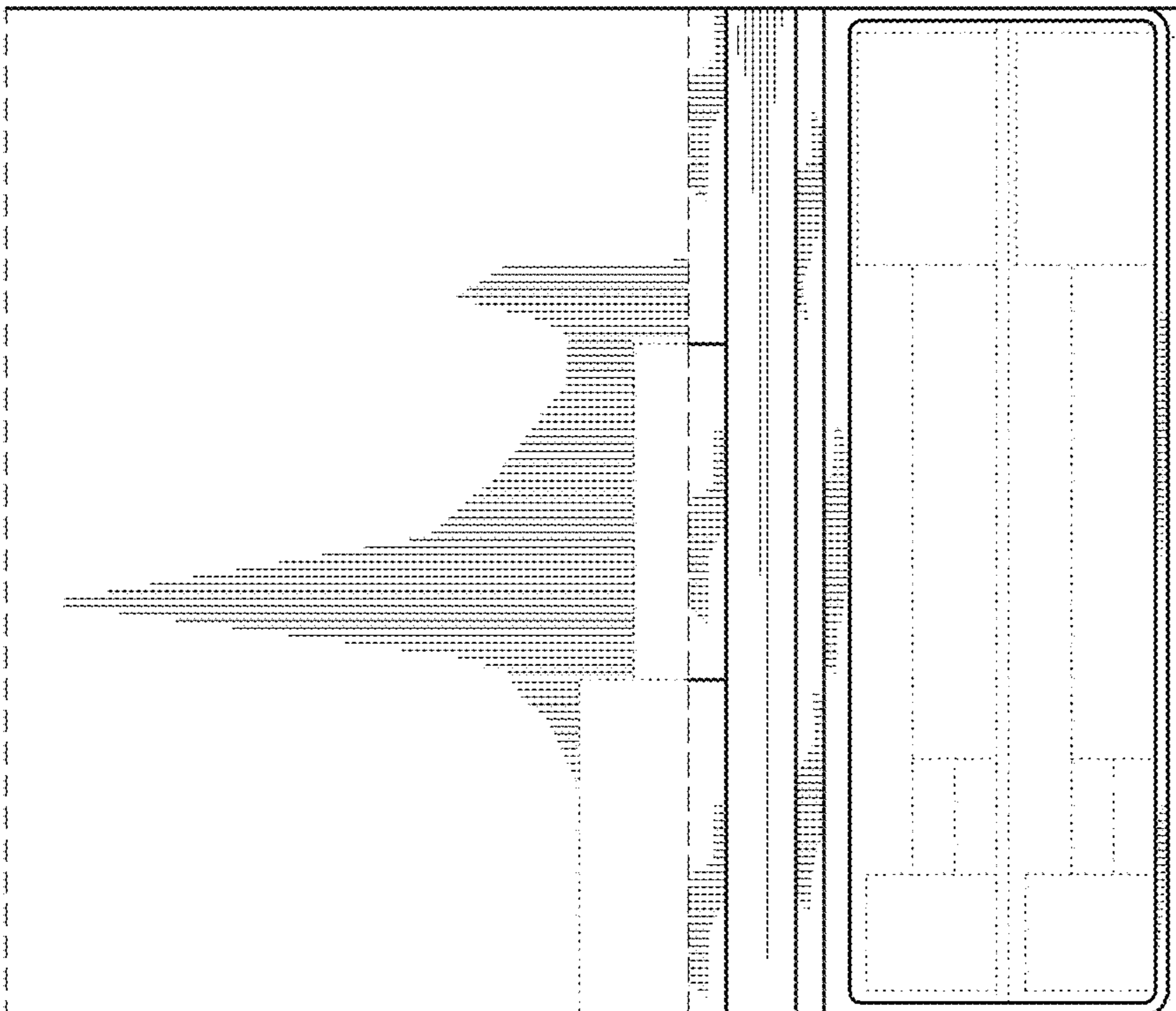


FIG. 12

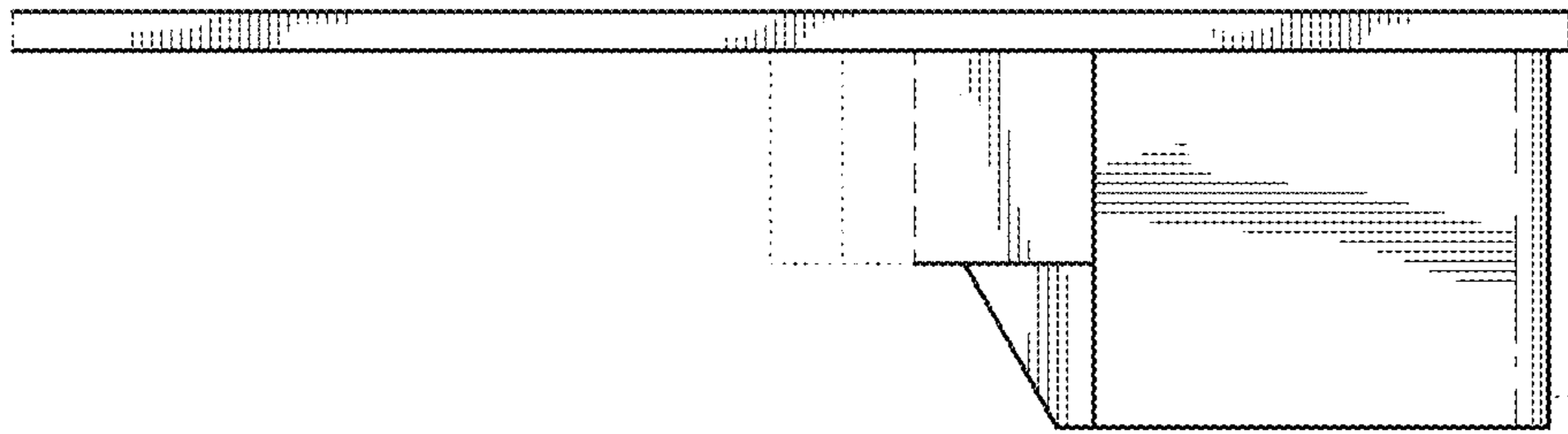


FIG. 15

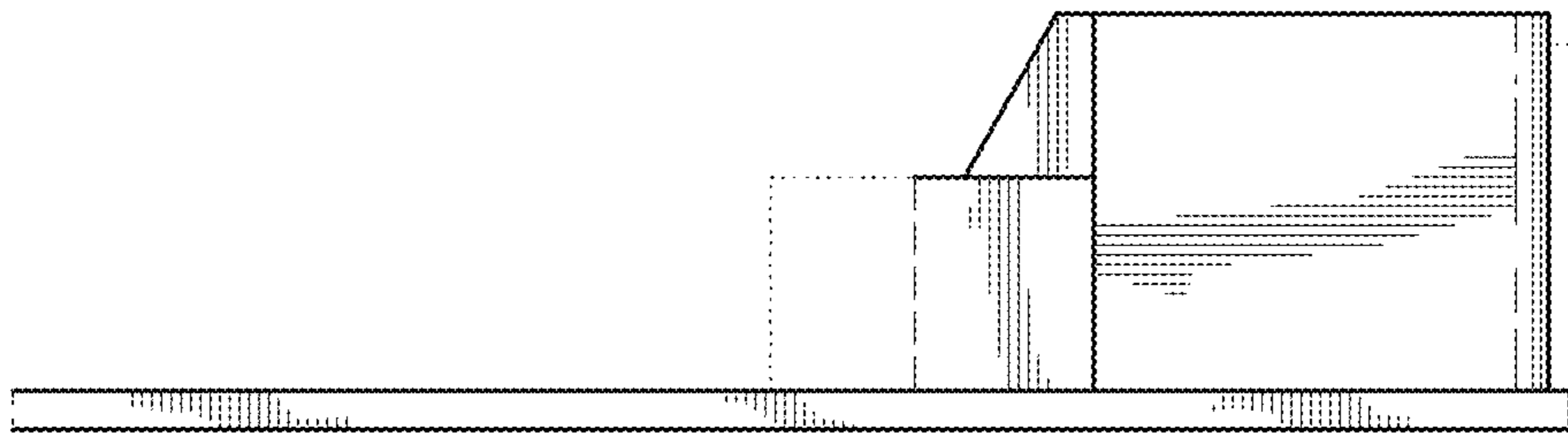


FIG. 14