



US00D806446S

(12) **United States Design Patent** (10) **Patent No.:** **US D806,446 S**
Benden (45) **Date of Patent:** **** Jan. 2, 2018**

(54) **DESK**
(71) Applicant: **Justin Daniel Benden**, College Station, TX (US)
(72) Inventor: **Justin Daniel Benden**, College Station, TX (US)
(**) Term: **14 Years**
(21) Appl. No.: **29/506,738**
(22) Filed: **Oct. 20, 2014**
(51) **LOC (11) Cl.** **06-03**
(52) **U.S. Cl.**
USPC **D6/656**
(58) **Field of Classification Search**
USPC D6/334, 335, 349, 353, 355, 641, 642, D6/651, 652, 655, 655.1, 655.14, 655.21, D6/685, 686, 688, 688.1, 688.11, 688.19, D6/688.21, 691, 691.1, 691.3, 691.8, D6/691.9, 708, 708.1, 708.13, 708.14, D6/709, 709.1, 709.15, 656
CPC A47B 3/00; A47B 3/002; A47B 2003/008; A47B 5/04; A47B 7/00; A47B 19/08; A47B 21/00; A47B 83/02; A47B 21/0314; A47B 2021/0335; A47C 4/021; A47C 11/00; A47C 13/00
See application file for complete search history.

D676,689 S * 2/2013 Matsushita D6/691
D688,901 S * 9/2013 Colson D6/656
D721,907 S * 2/2015 Boll-Wilson D6/691.9
2016/0106210 A1 * 4/2016 Kassanoff A47B 41/00
108/25

OTHER PUBLICATIONS

Moore, Camille. '20 Modern Desk Ideas For Your Home Office'. housely.com [online]. Undated [retrieved Sep. 13, 2016]. Retrieved from the Internet: <URL: <http://housely.com/20-modern-desk-ideas-home-office/>>.*
'Winsome Natural 5-Piece Rectangular TV Table Set'. .com [online]. Dec. 19, 2007 [retrieved Sep. 9, 2016]. Retrieved from the Internet: <URL: <http://www.hayneedle.com/product/natural5piecerectangulartvtableset.cfm?Itype=child&tid=WI116-1>>.*
'5th-12th YZE Single Standing Desk'. stand2learn.com [online]. Undated [retrieved Sep. 29, 2016]. Retrieved from the Internet: <URL: <http://www.stand2learn.com/product/5th-12th-yze-single-standing-desk/>>.*

* cited by examiner

Primary Examiner — Mary Ann Calabrese

(57) **CLAIM**

The ornamental design for a desk, as shown and described.

DESCRIPTION

FIG. 1 is an isometric view showing our new desk design; FIG. 2 is a right side view thereof; FIG. 3 is a front view thereof; FIG. 4 is a left view thereof; FIG. 5 is a rear view thereof; and, FIG. 6 is a bottom view thereof.

1 Claim, 6 Drawing Sheets

(56) **References Cited**
U.S. PATENT DOCUMENTS

D175,836 S * 10/1955 Hirsch D6/652
4,229,038 A * 10/1980 Drost A47B 3/02
108/173
D295,474 S * 5/1988 Uredat-Neuhoff D6/656.16
D388,638 S * 1/1998 Ludlam D6/692
D400,729 S * 11/1998 Stanford D6/653
D671,339 S * 11/2012 Nakamura D6/691



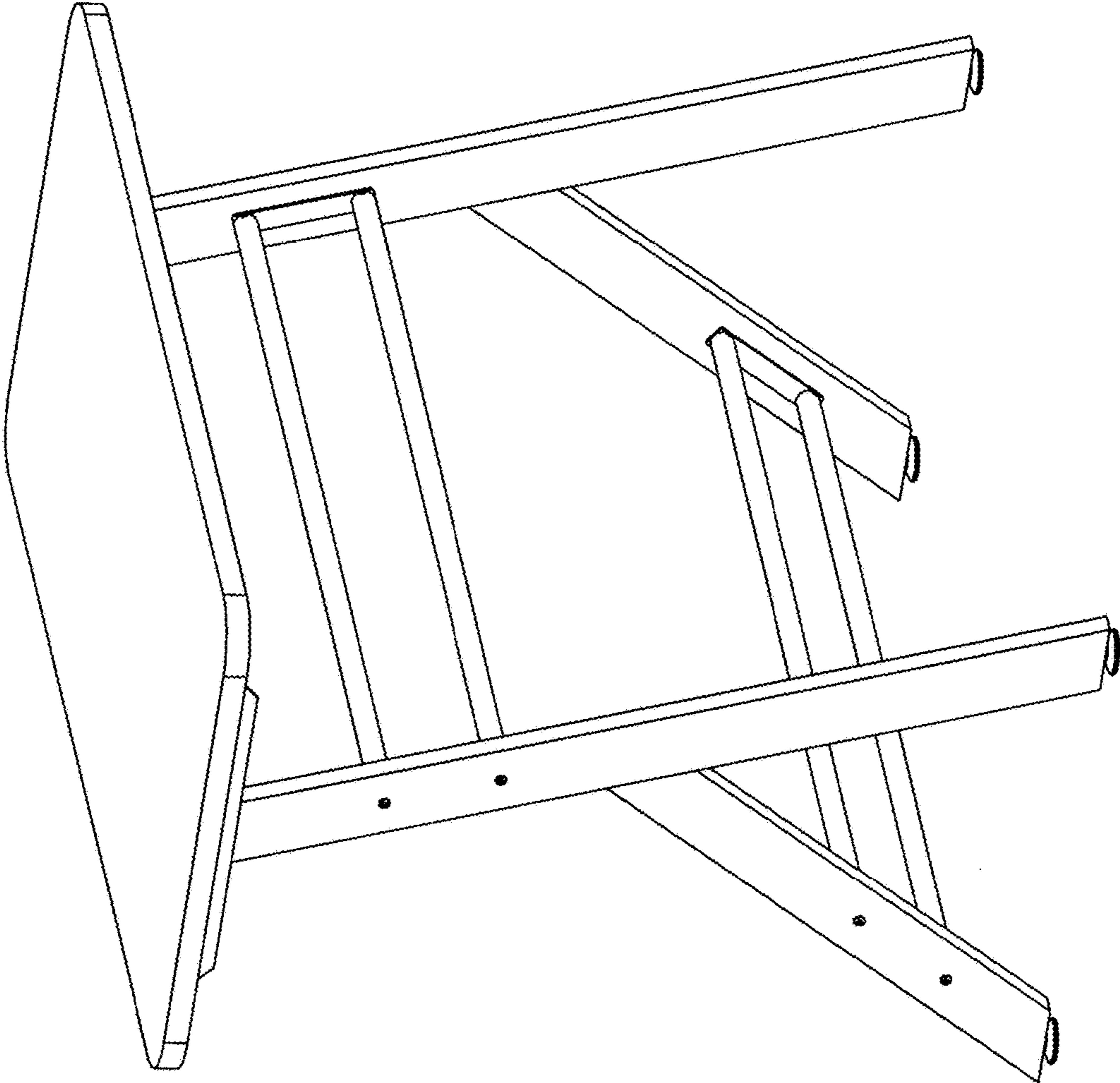


FIGURE 1

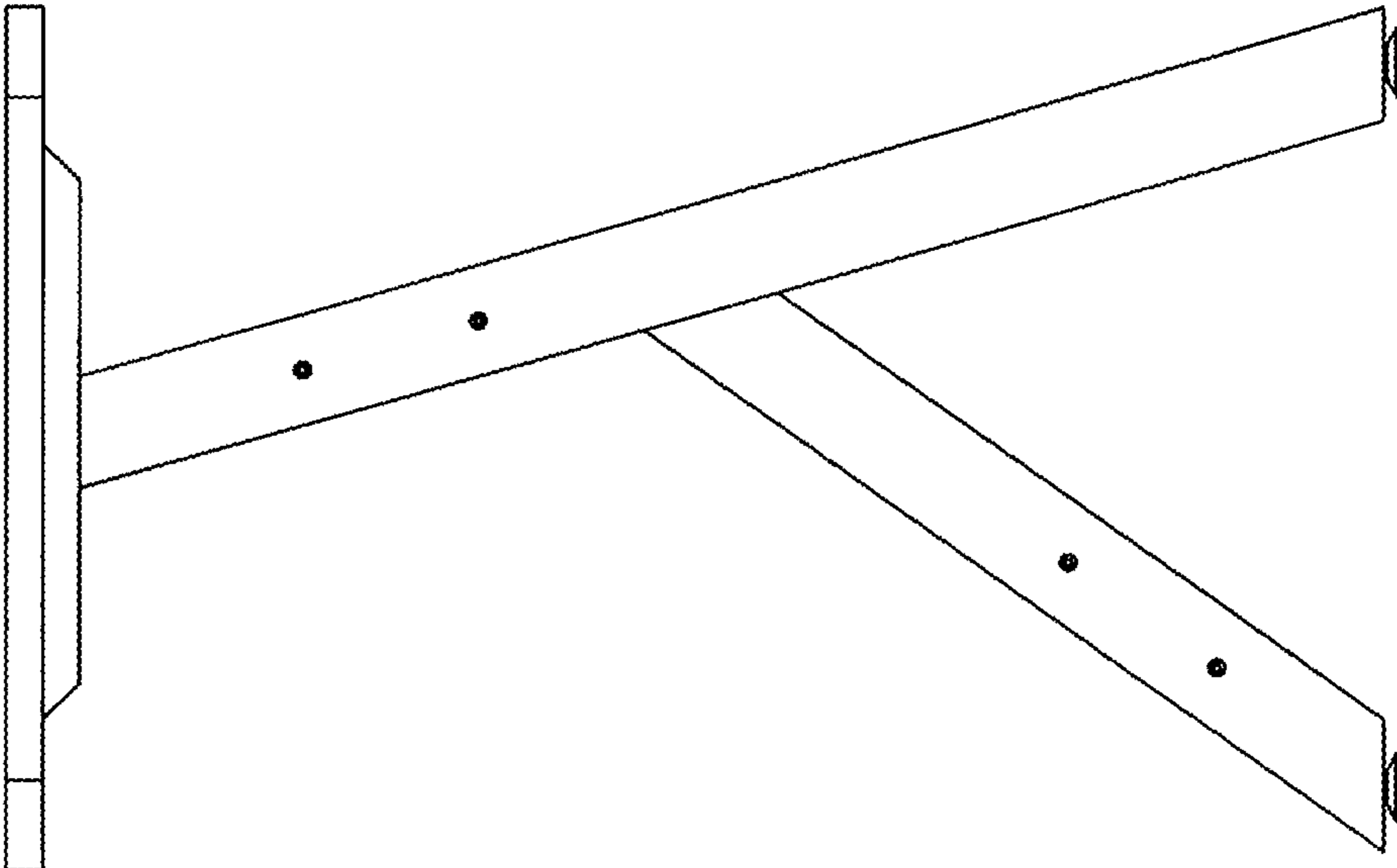


FIGURE 2

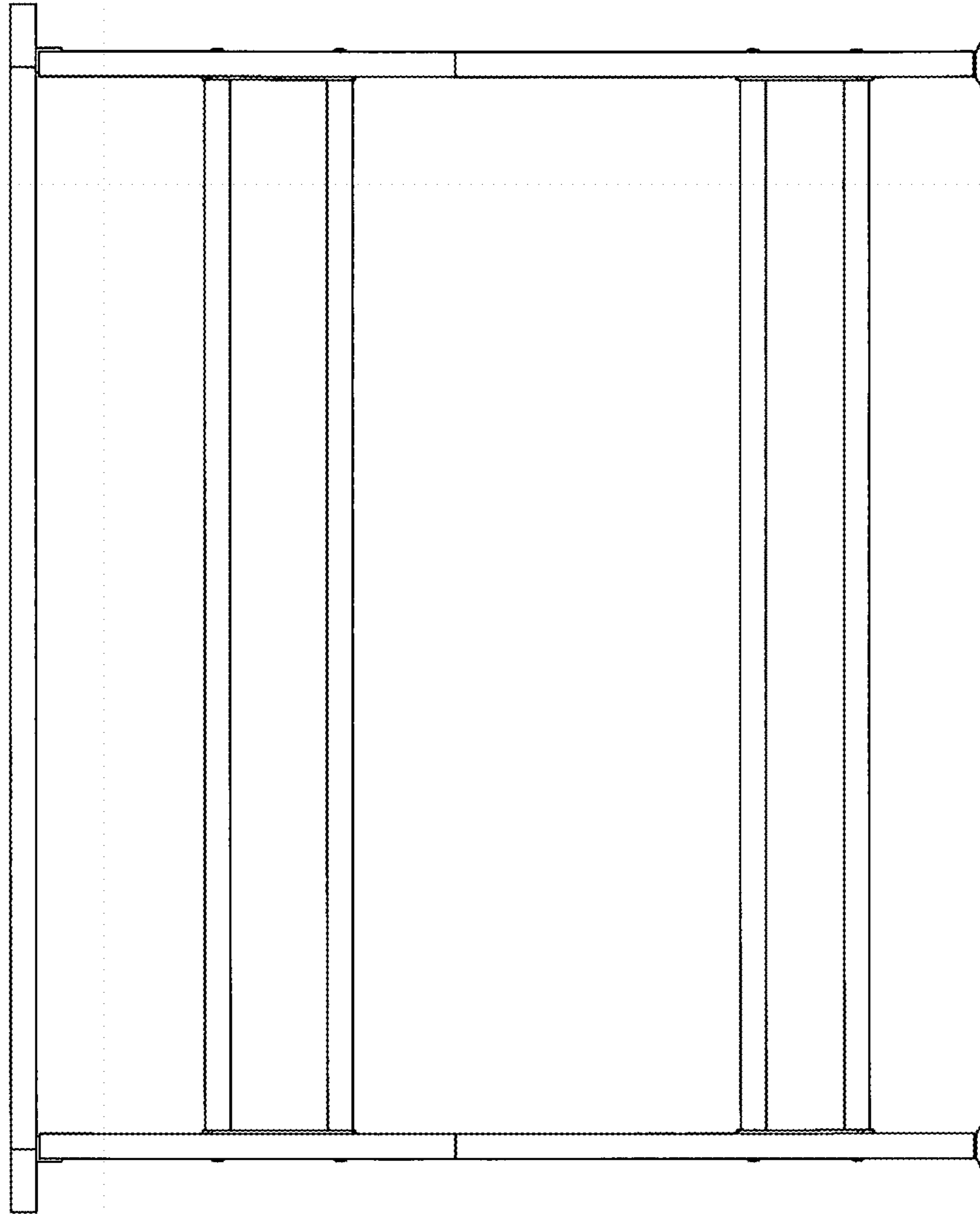


FIGURE 3

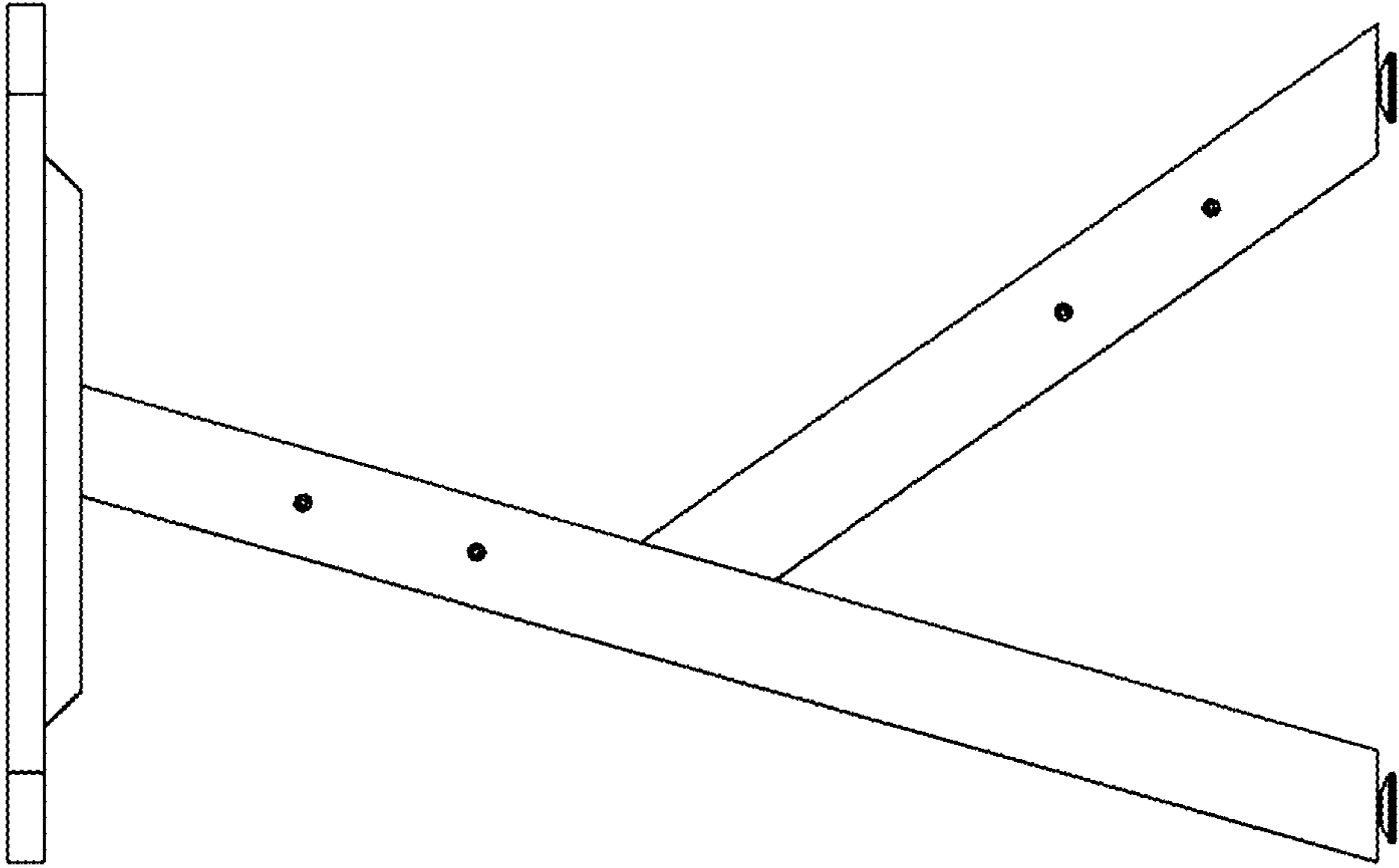


FIGURE 4

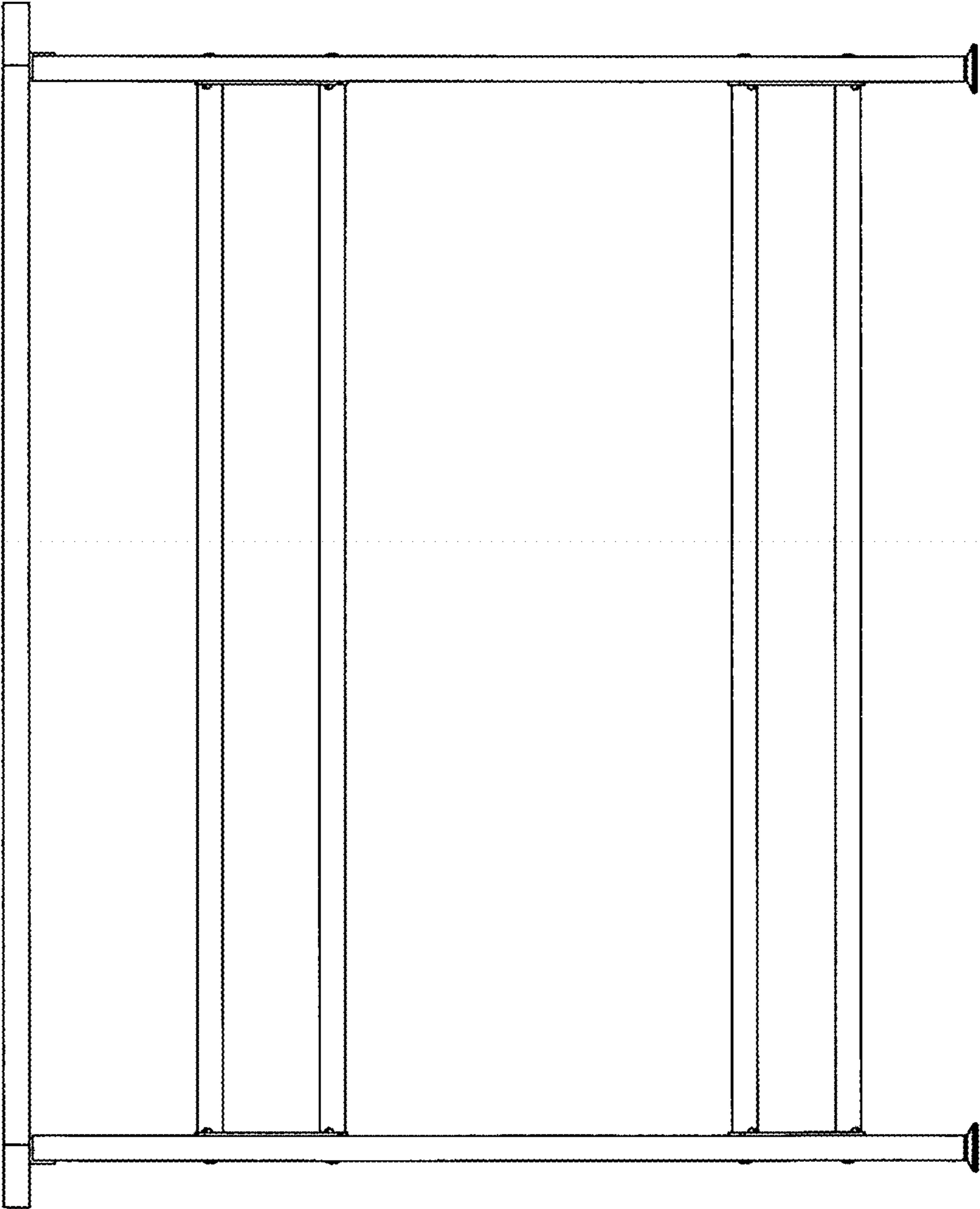


FIGURE 5

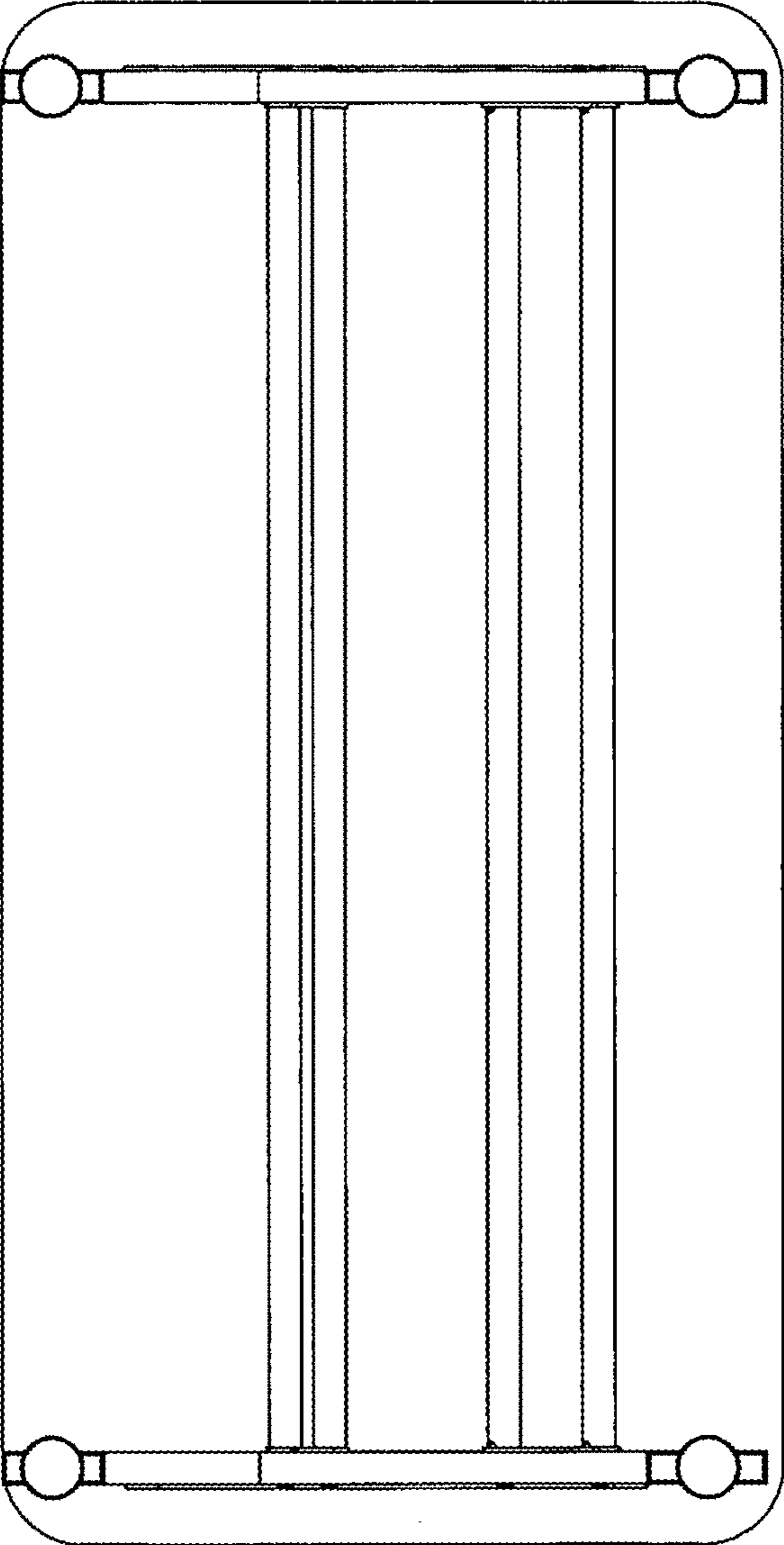


FIGURE 6