



US00D806437S

(12) **United States Design Patent**
Davidson

(10) **Patent No.:** **US D806,437 S**
(45) **Date of Patent:** **** Jan. 2, 2018**

(54) **APPAREL HANGER**

(71) Applicant: **Chris Davidson**, Roseburg, OR (US)

(72) Inventor: **Chris Davidson**, Roseburg, OR (US)

(**) Term: **15 Years**

(21) Appl. No.: **29/584,410**

(22) Filed: **Nov. 14, 2016**

(51) **LOC (11) Cl.** **06-04**

(52) **U.S. Cl.**
USPC **D6/553**

(58) **Field of Classification Search**
USPC D6/315, 326, 328, 512, 513, 553;
D8/373, 376, 377; D3/201, 315
CPC .. A47G 25/1457; F16M 11/041; F16M 13/00;
F16M 13/022; F16M 11/24; F16M
2200/024; F16M 11/2021; F16M
2200/02; F16B 2001/0035; F16B 5/00;
F16B 21/065; Y10T 29/49826; Y10T
24/32; Y10T 403/32311

See application file for complete search history.

(56) **References Cited**

U.S. PATENT DOCUMENTS

D241,006 S *	8/1976	Wallace	D8/373
D338,583 S *	8/1993	Esposito, Jr.	D6/534
D372,829 S *	8/1996	Sirey	5/653
D493,319 S *	7/2004	Lloyd-Morris	D6/553
D607,253 S *	1/2010	McCammon	D6/553

D705,531 S *	5/2014	Johnson	D3/201
D766,010 S *	9/2016	Balz	D6/553
9,568,282 B1 *	2/2017	Schorman	F16M 13/02
D781,070 S *	3/2017	Peterson	D6/553
2005/0139739 A1 *	6/2005	Hamerski	F16B 2/005 248/206.5
2008/0296450 A1 *	12/2008	Lang	A47G 1/12 248/206.5
2015/0184796 A1 *	7/2015	Wengreen	F16M 13/02 248/222.41
2017/0086580 A1 *	3/2017	Conti	F16B 1/00
2017/0086603 A1 *	3/2017	Sortino	F16B 1/00
2017/0138378 A1 *	5/2017	Davidson	A47G 33/004

* cited by examiner

Primary Examiner — Lauren Calve

(74) *Attorney, Agent, or Firm* — McCoy Russell LLP

(57) **CLAIM**

The ornamental design for an apparel hanger, as shown and described.

DESCRIPTION

FIG. 1 is a rear perspective view of an apparel hanger of the present design.

FIG. 2 is a top view of the apparel hanger of FIG. 1.

FIG. 3 is a bottom view of the apparel hanger of FIG. 1.

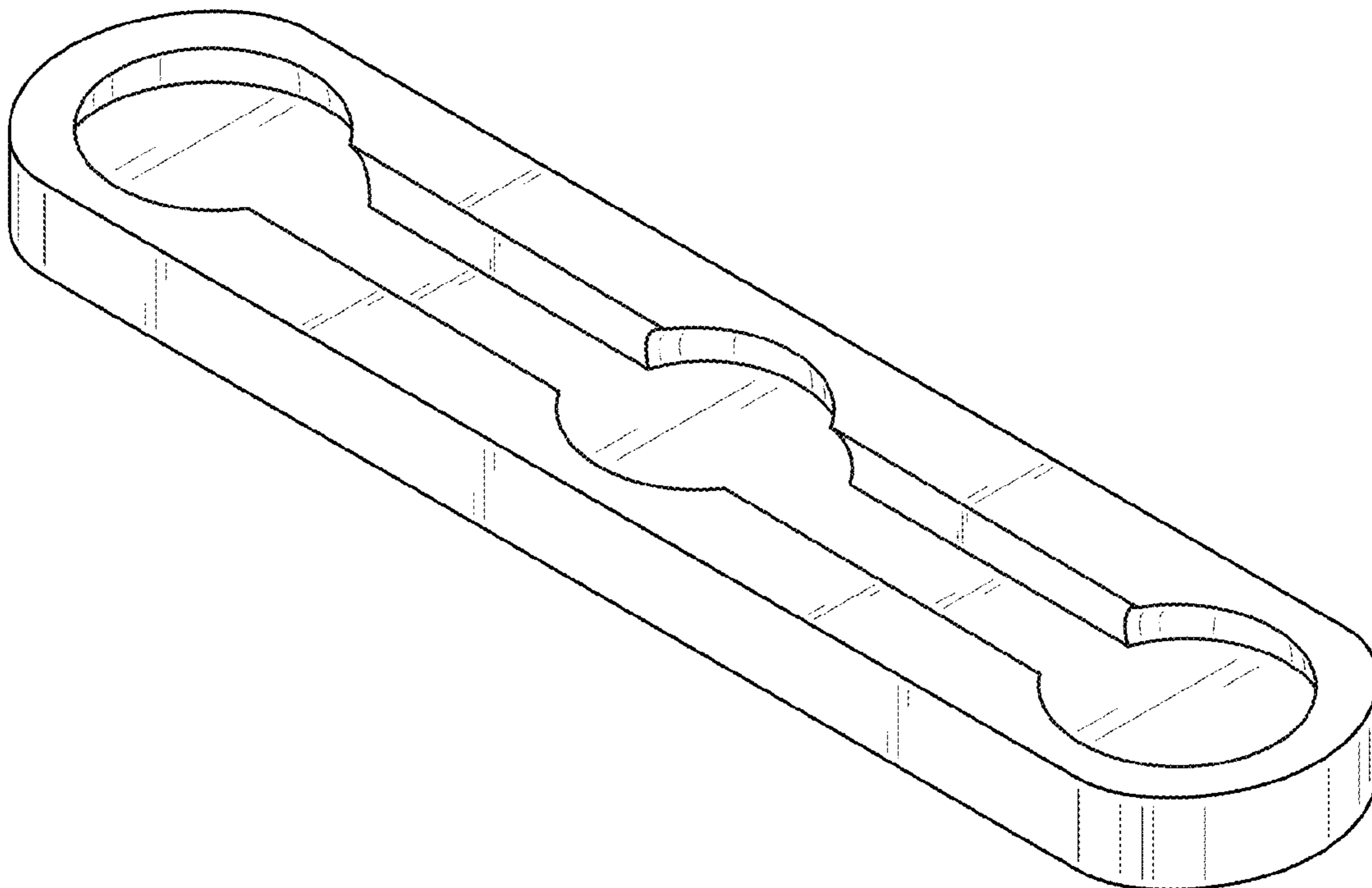
FIG. 4 is a right side view of the apparel hanger of FIG. 1.

FIG. 5 is a left side view of the apparel hanger of FIG. 1.

FIG. 6 is a rear view of the apparel hanger of FIG. 1; and,

FIG. 7 is a front view of the apparel hanger of FIG. 1.

1 Claim, 4 Drawing Sheets



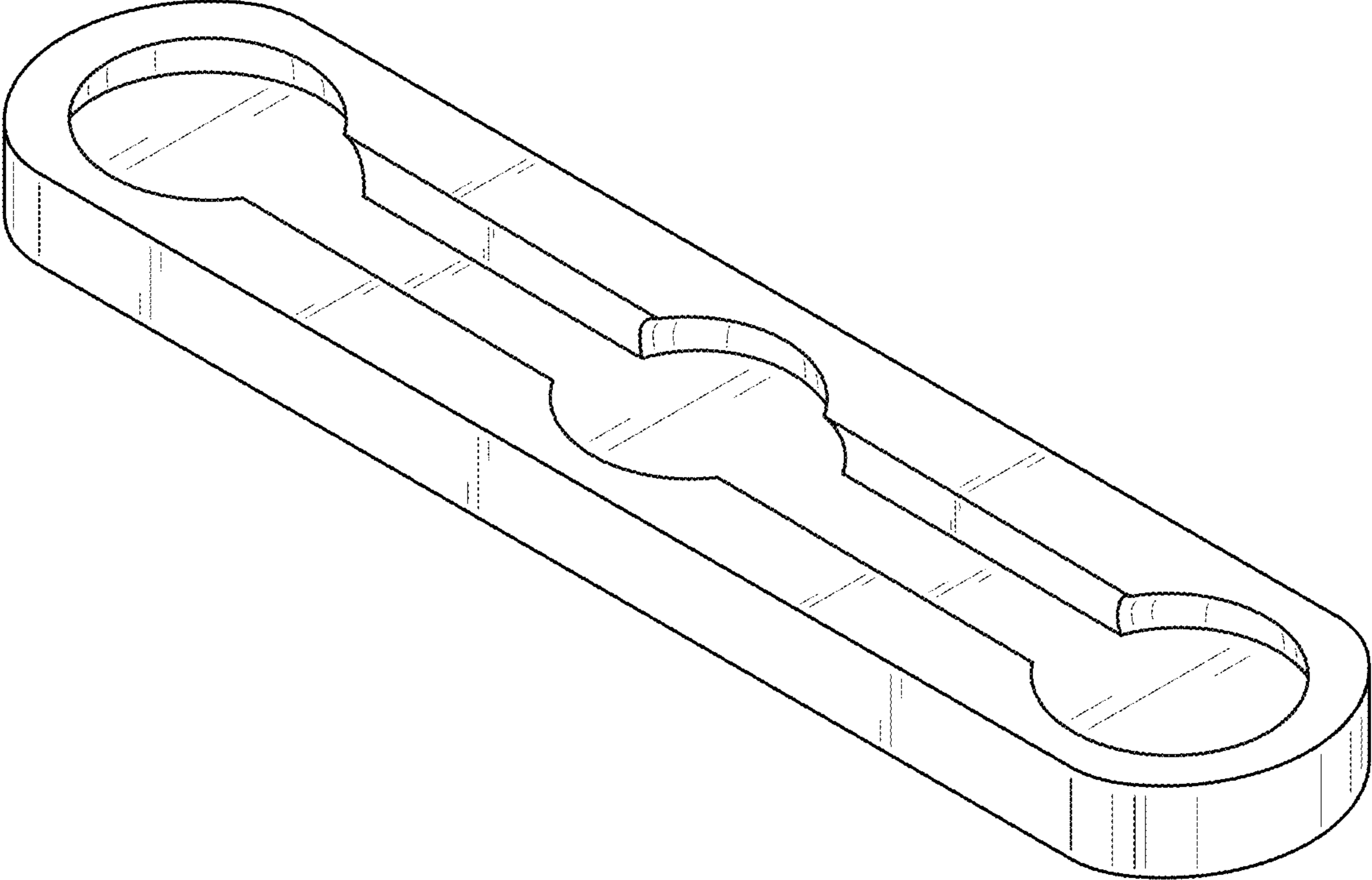


FIG. 1

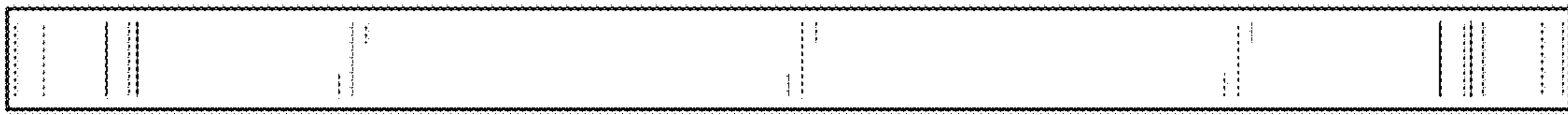


FIG. 2

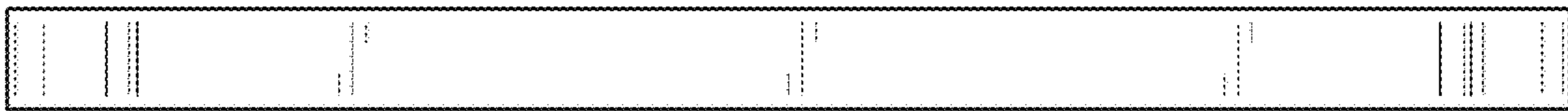


FIG. 3

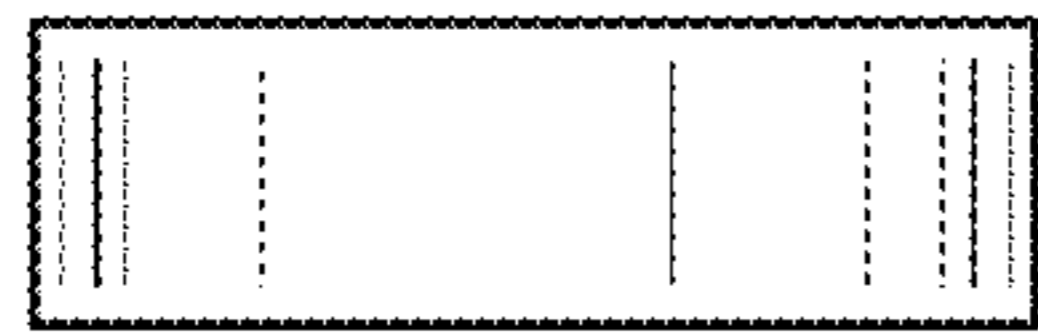


FIG. 4



FIG. 5

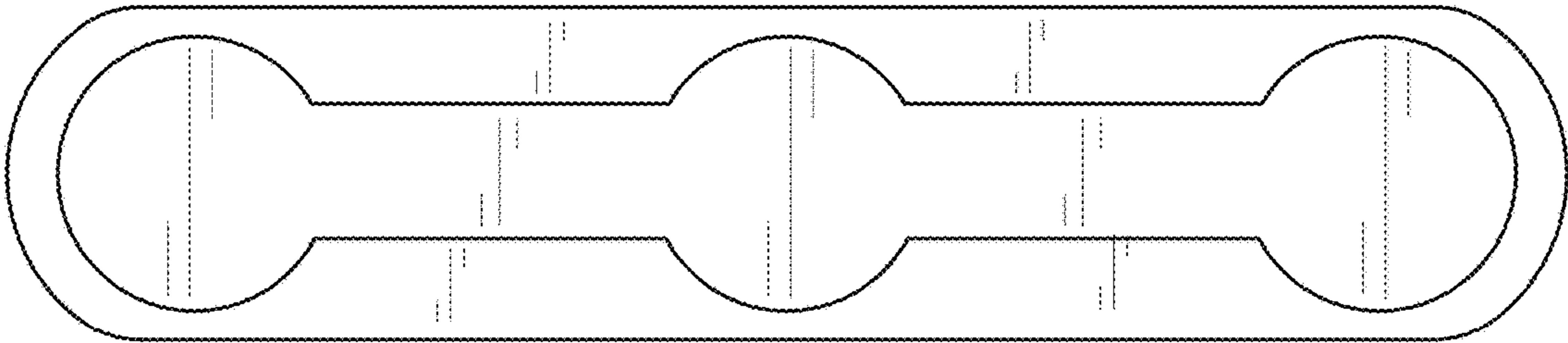


FIG. 6

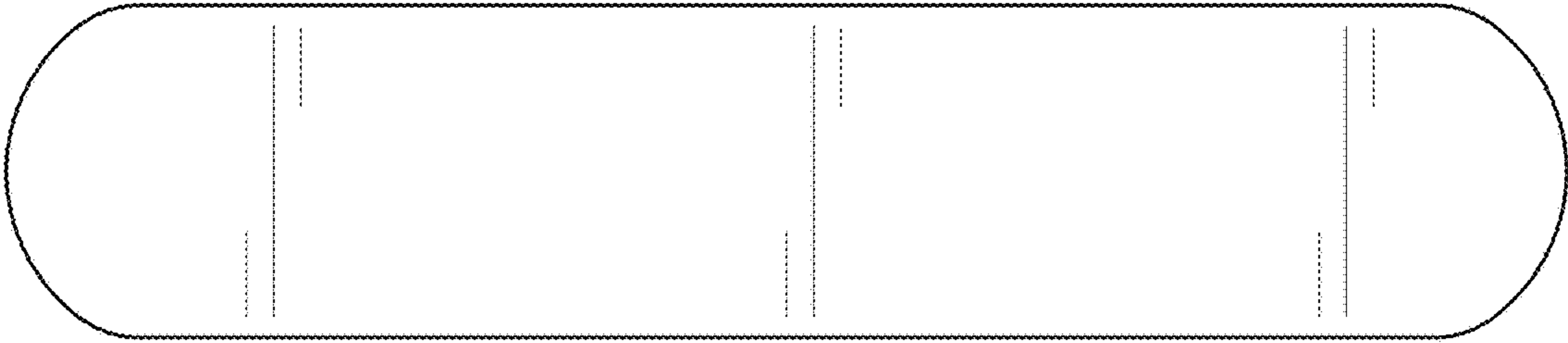


FIG. 7