



US00D806436S

(12) **United States Design Patent**  
**Bartolomucci**

(10) **Patent No.:** **US D806,436 S**  
(45) **Date of Patent:** **\*\* Jan. 2, 2018**

(54) **TOWEL HOLDER**

(71) Applicant: **Angelo Bartolomucci**, Guelph (CA)

(72) Inventor: **Angelo Bartolomucci**, Guelph (CA)

(\*\*) Term: **15 Years**

(21) Appl. No.: **29/576,386**

(22) Filed: **Sep. 2, 2016**

(30) **Foreign Application Priority Data**

Mar. 3, 2016 (CA) ..... 167293

(51) **LOC (11) Cl.** ..... **06-04**

(52) **U.S. Cl.**  
USPC ..... **D6/546**

(58) **Field of Classification Search**

USPC ..... D6/546, 518-523, 549; D24/81, 136;  
206/389; 211/123, 124; 242/520, 555,  
242/595, 597; 248/309.1, 309.2

CPC ..... A47K 10/12; A47K 10/38; A47K 10/22;  
A47K 10/40; A47K 2010/3233; A47K  
2010/3863

See application file for complete search history.

(56) **References Cited**

**U.S. PATENT DOCUMENTS**

D613,982 S \* 4/2010 Wilson ..... D6/518  
D656,767 S \* 4/2012 Sedwick ..... D6/546  
D721,812 S \* 1/2015 Haraden ..... D24/181

\* cited by examiner

*Primary Examiner* — Wan Laymon  
*Assistant Examiner* — Mark Booker

(57) **CLAIM**

The ornamental design for a towel holder, as shown and described.

**DESCRIPTION**

FIG. 1 is a front perspective view of the first variant of the towel holder;

FIG. 2 is a back perspective view thereof;

FIG. 3 is a left side view thereof;

FIG. 4 is a front view thereof;

FIG. 5 is a right side view thereof;

FIG. 6 is a back view thereof;

FIG. 7 is a top view thereof;

FIG. 8 is a bottom view thereof;

FIG. 9 is a front perspective view showing environment;

FIG. 10 is a front perspective view of the second variant of the towel holder;

FIG. 11 is a back perspective view thereof;

FIG. 12 is a left side view thereof;

FIG. 13 is a front view thereof;

FIG. 14 is a right side view thereof;

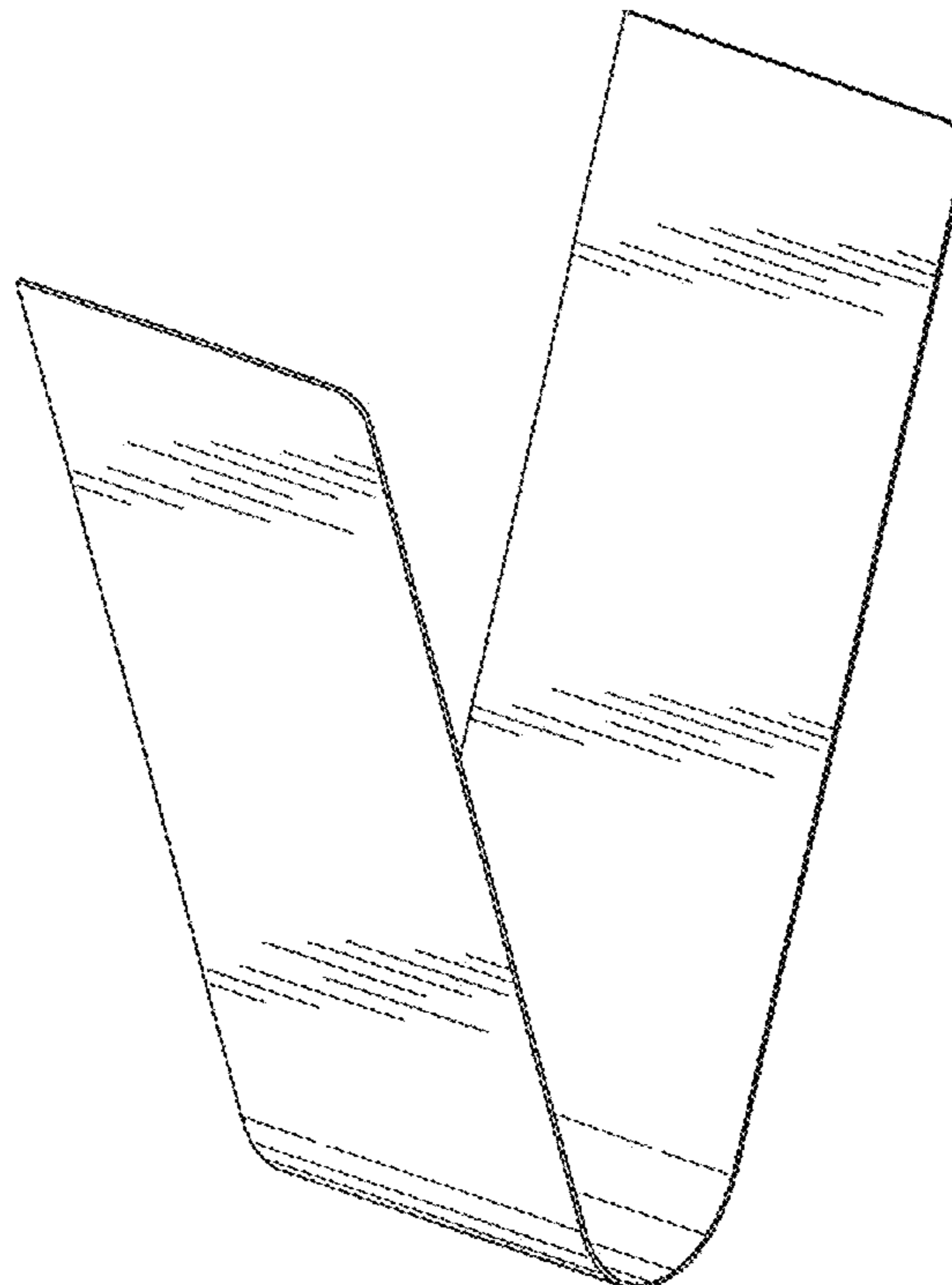
FIG. 15 is a back view thereof;

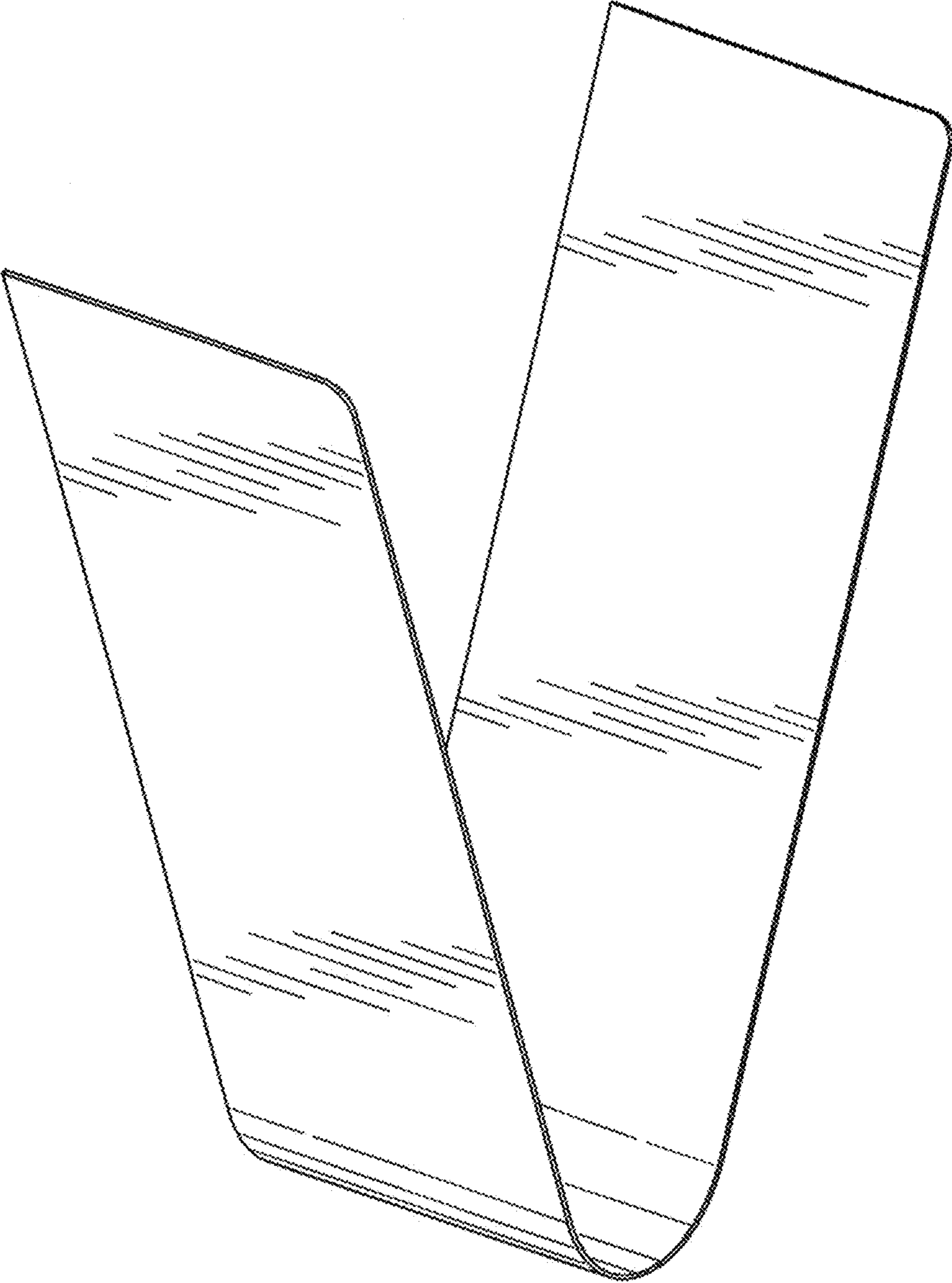
FIG. 16 is a top view thereof; and,

FIG. 17 is a bottom view thereof.

The broken line showing in the figures is included for the purpose of illustrating portions of the towel bar and form no part of the claimed design.

**1 Claim, 15 Drawing Sheets**





**FIG. 1**

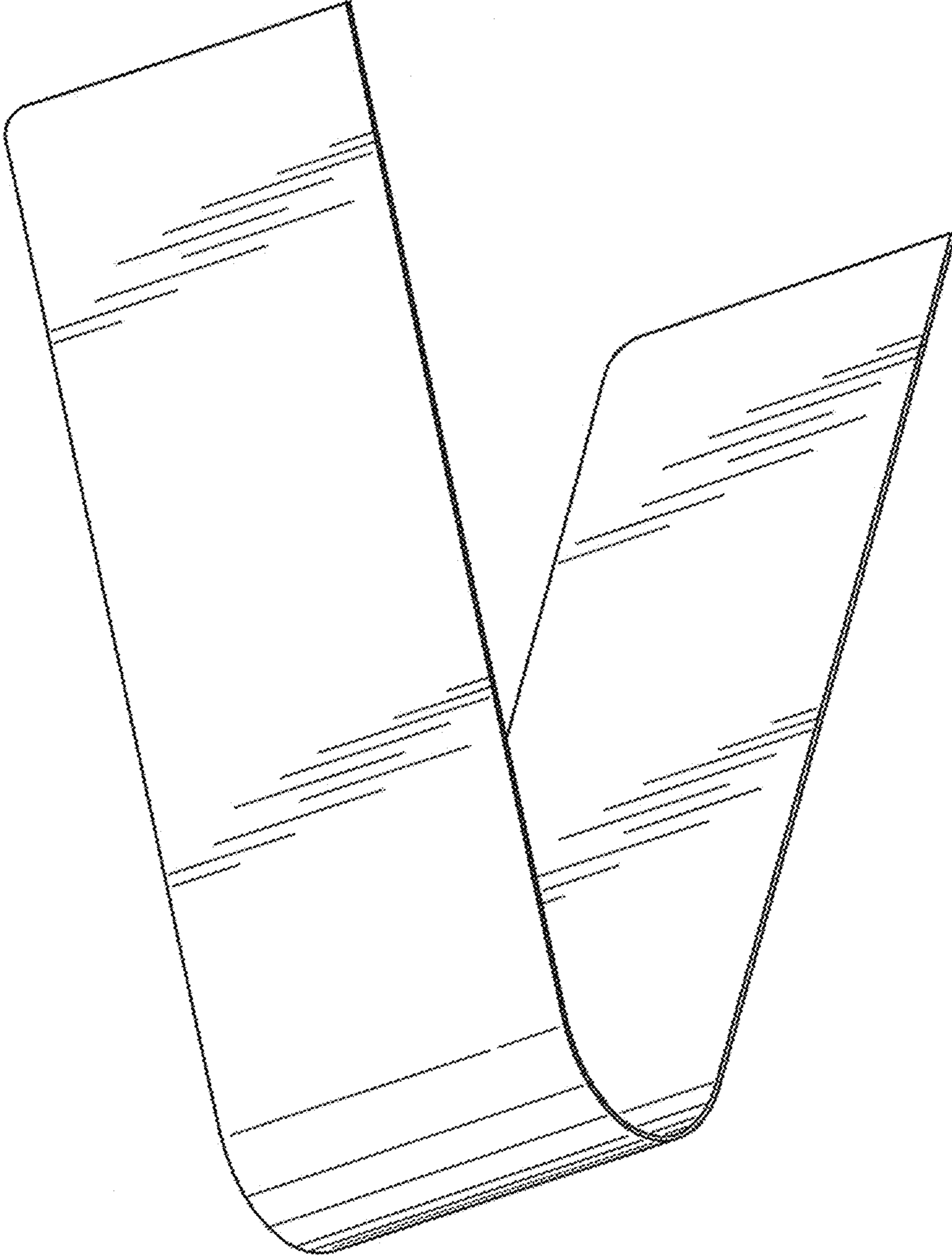


FIG. 2

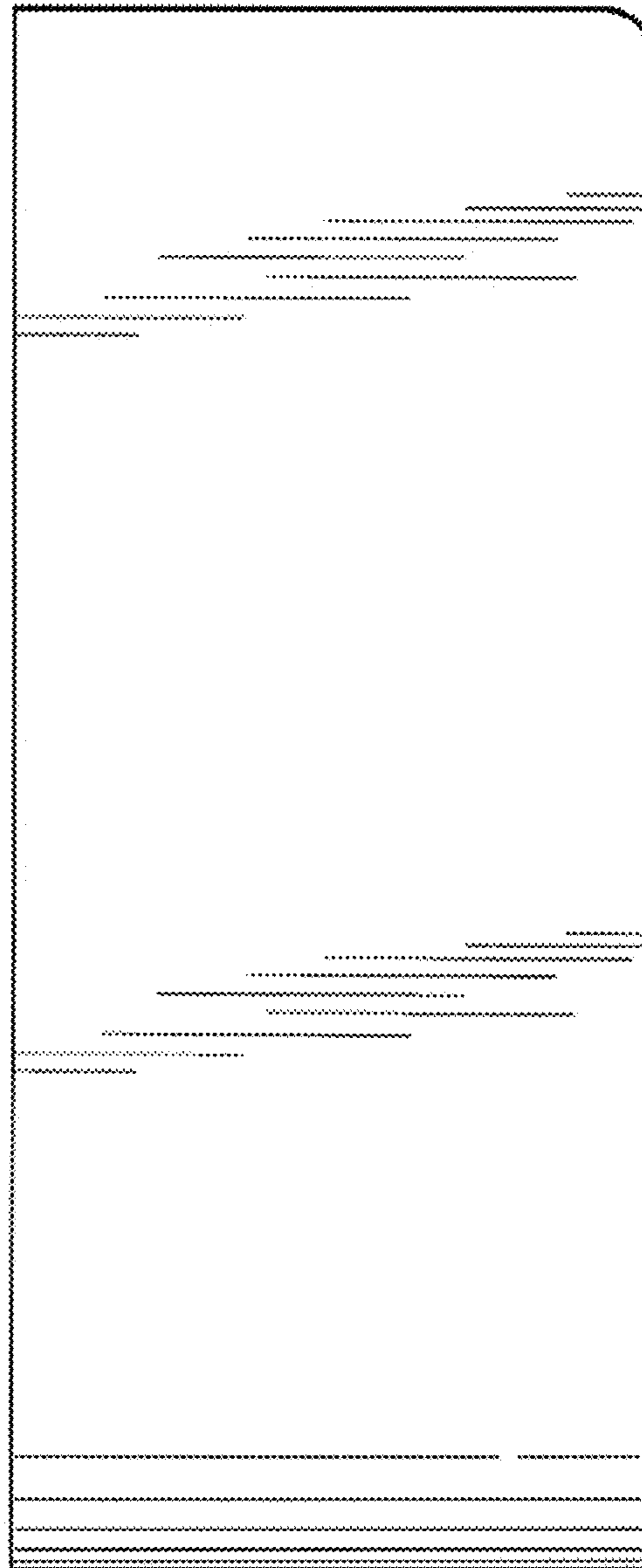


FIG. 3

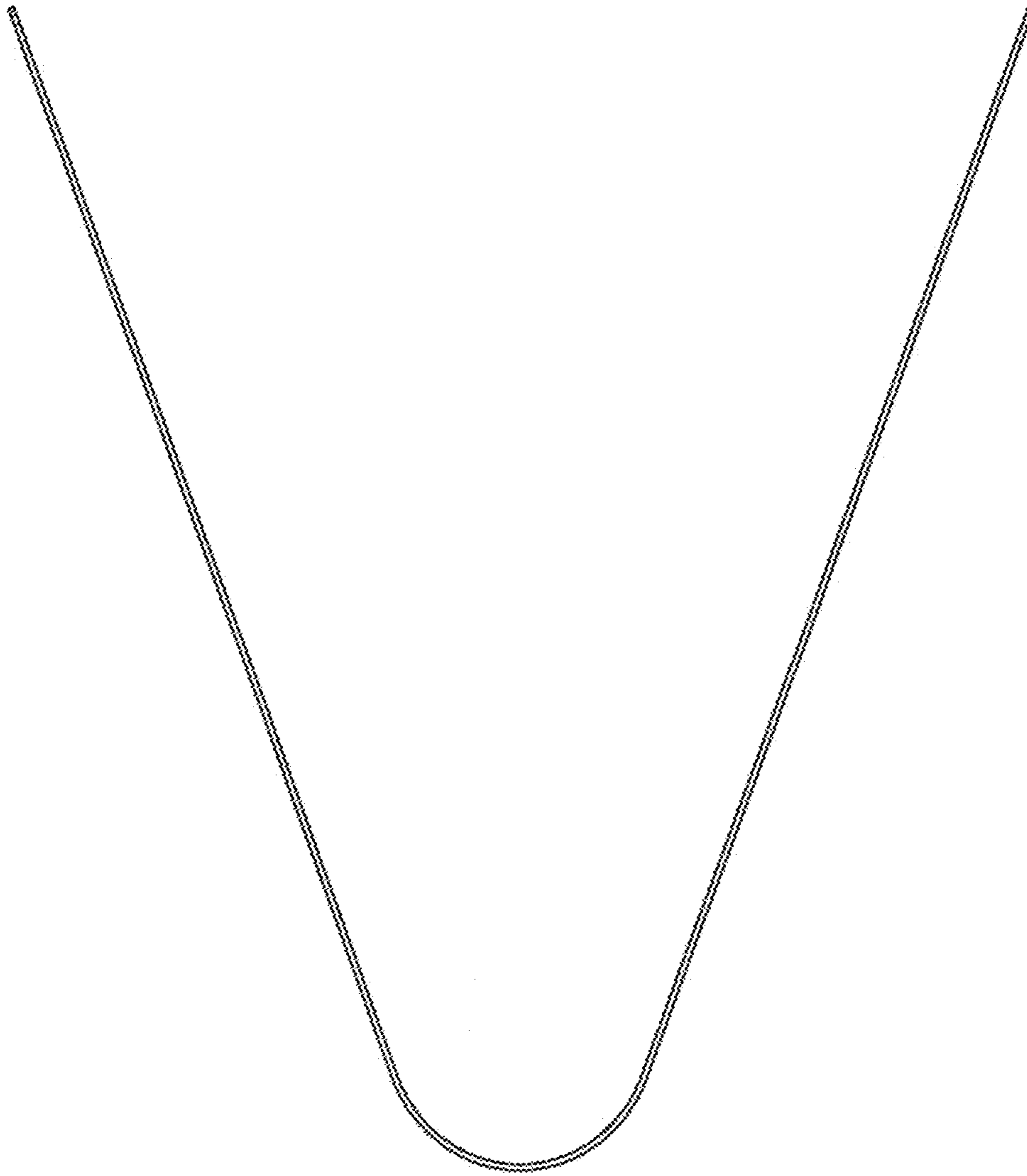
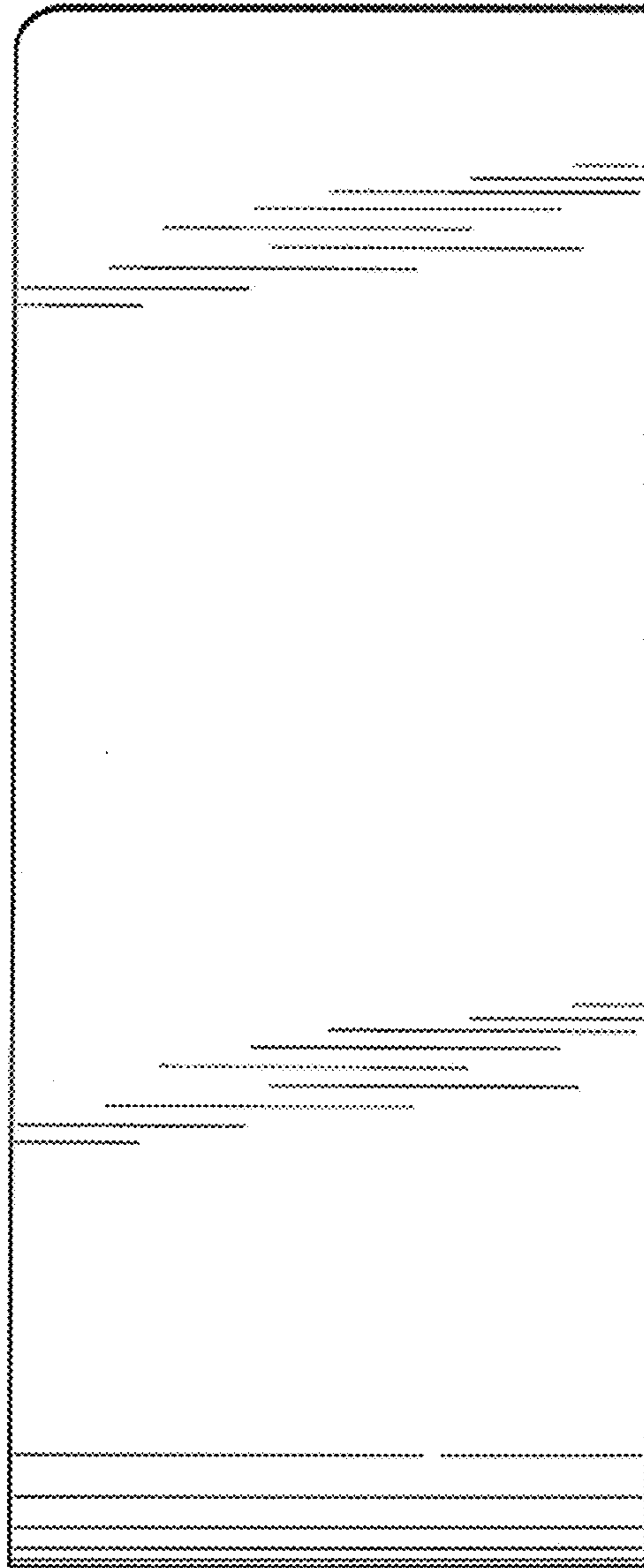


FIG. 4



**FIG. 5**

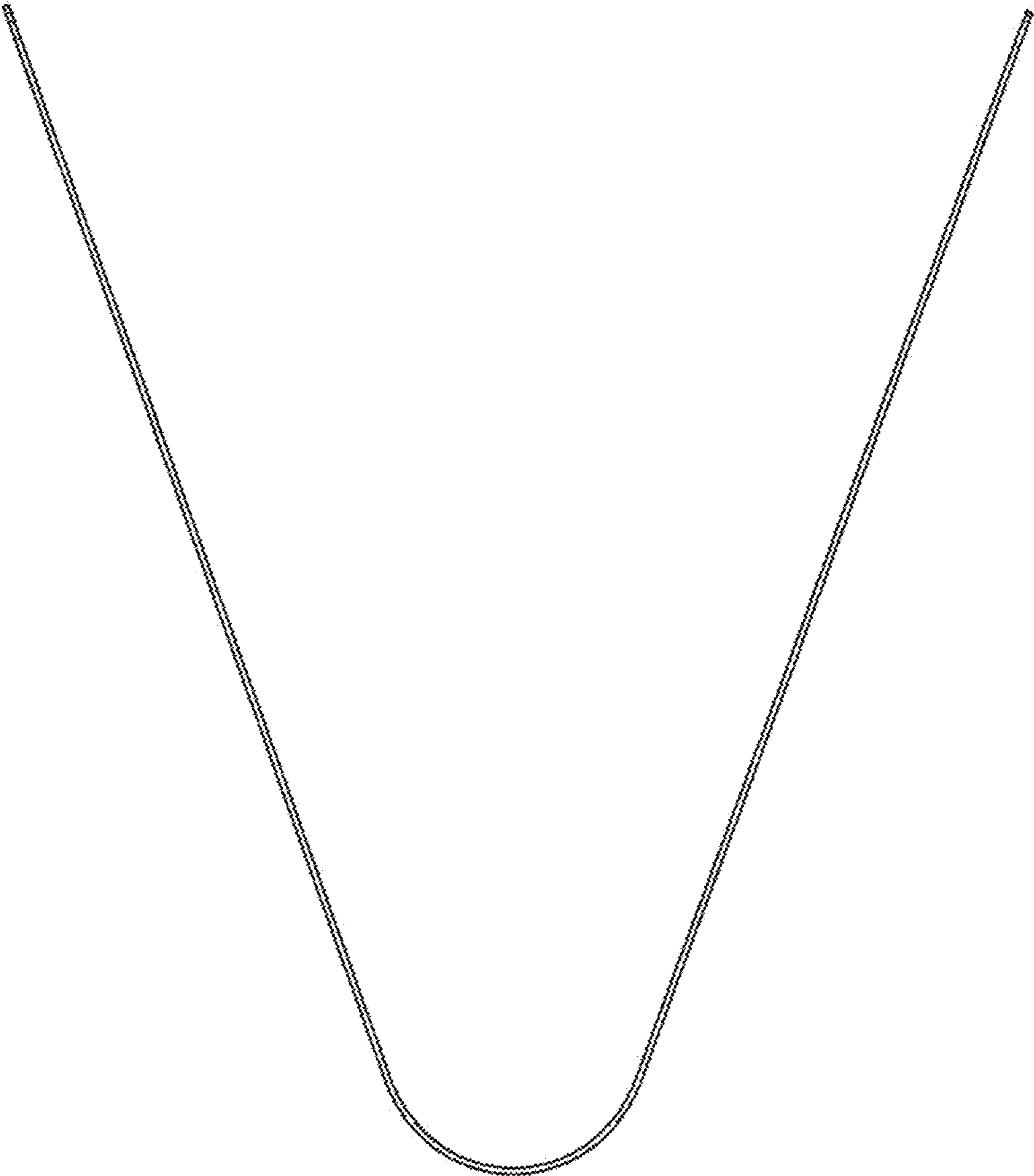


FIG. 6

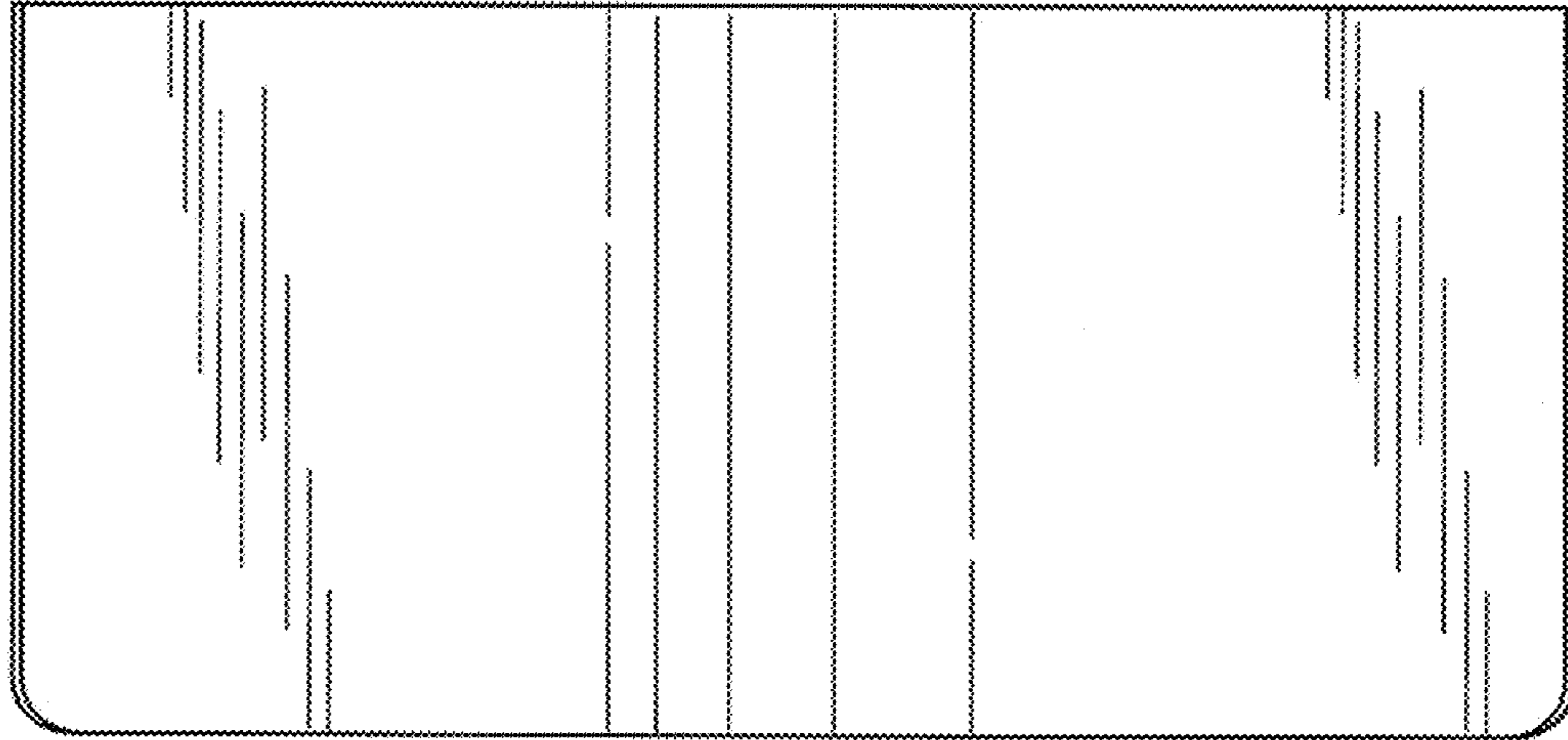


FIG. 7

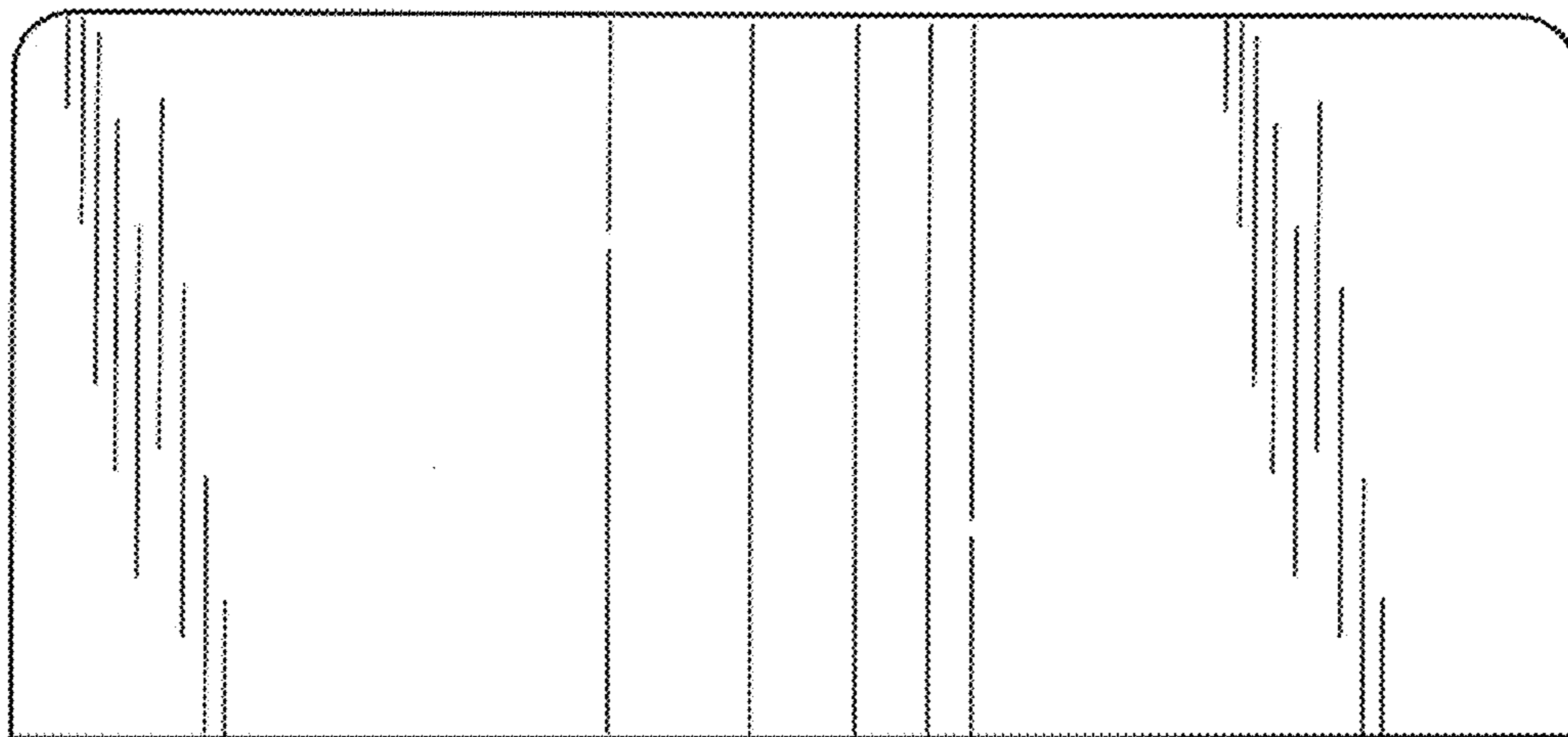


FIG. 8



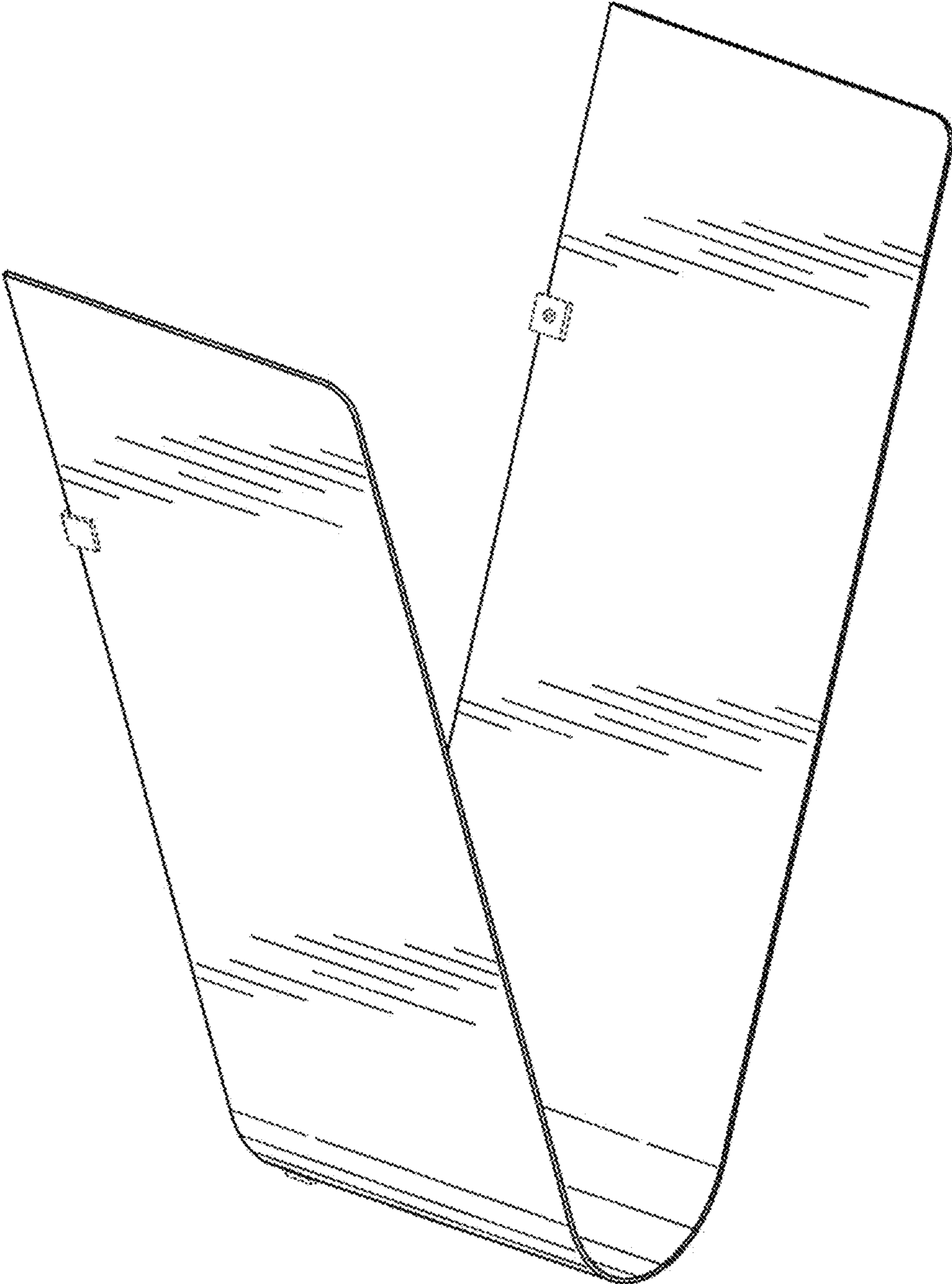
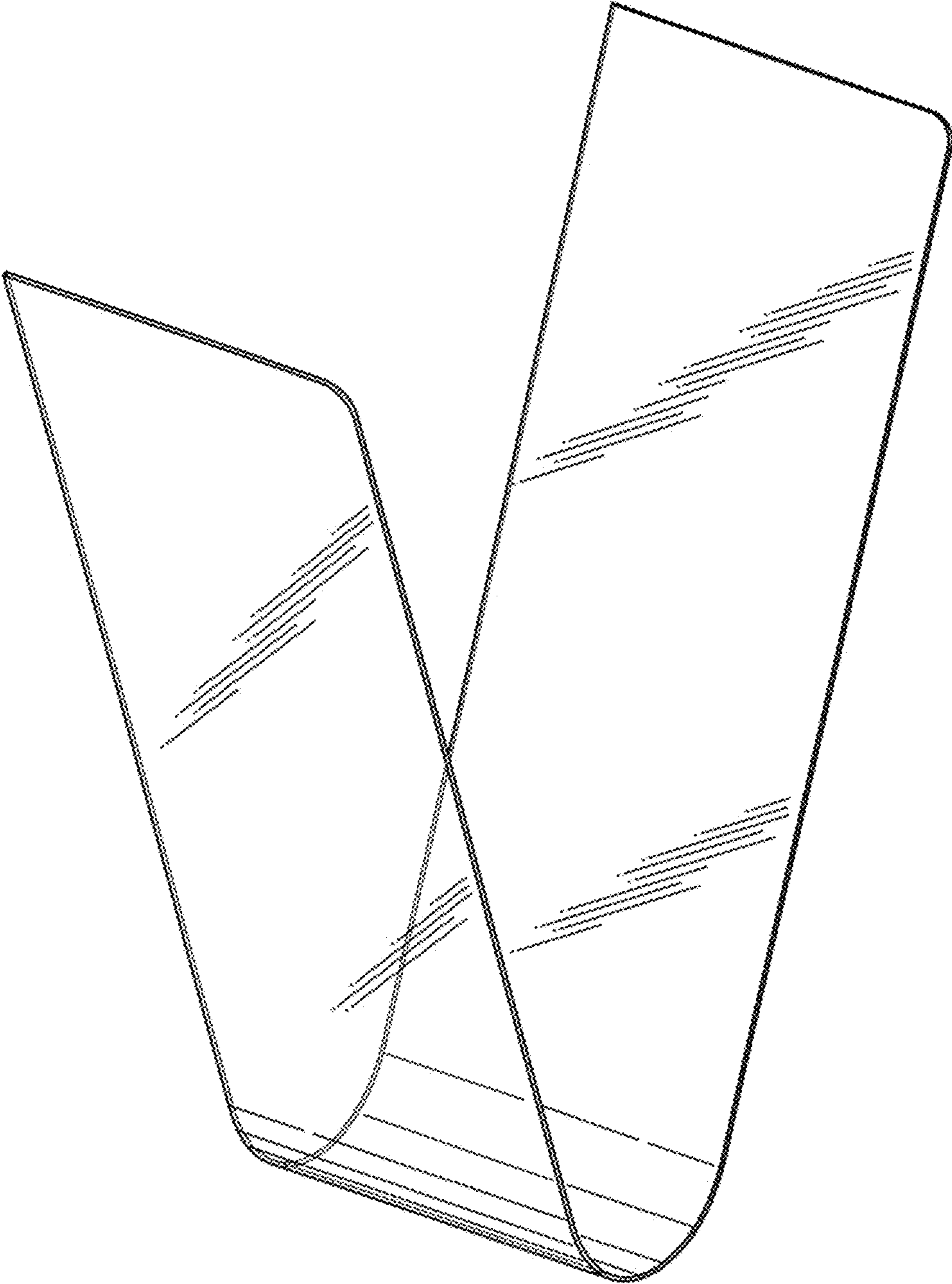


FIG. 9



**FIG. 10**

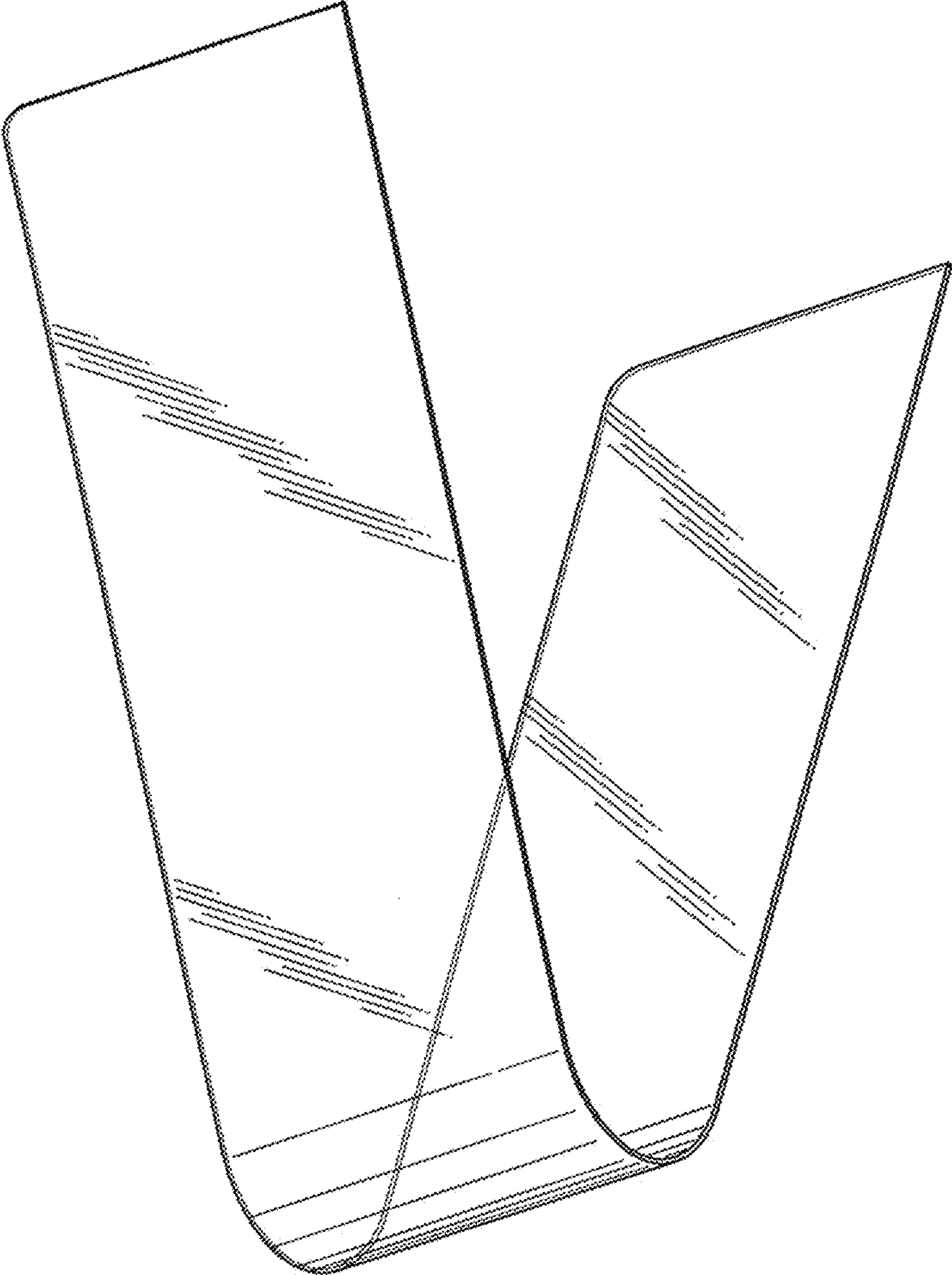


FIG. 11

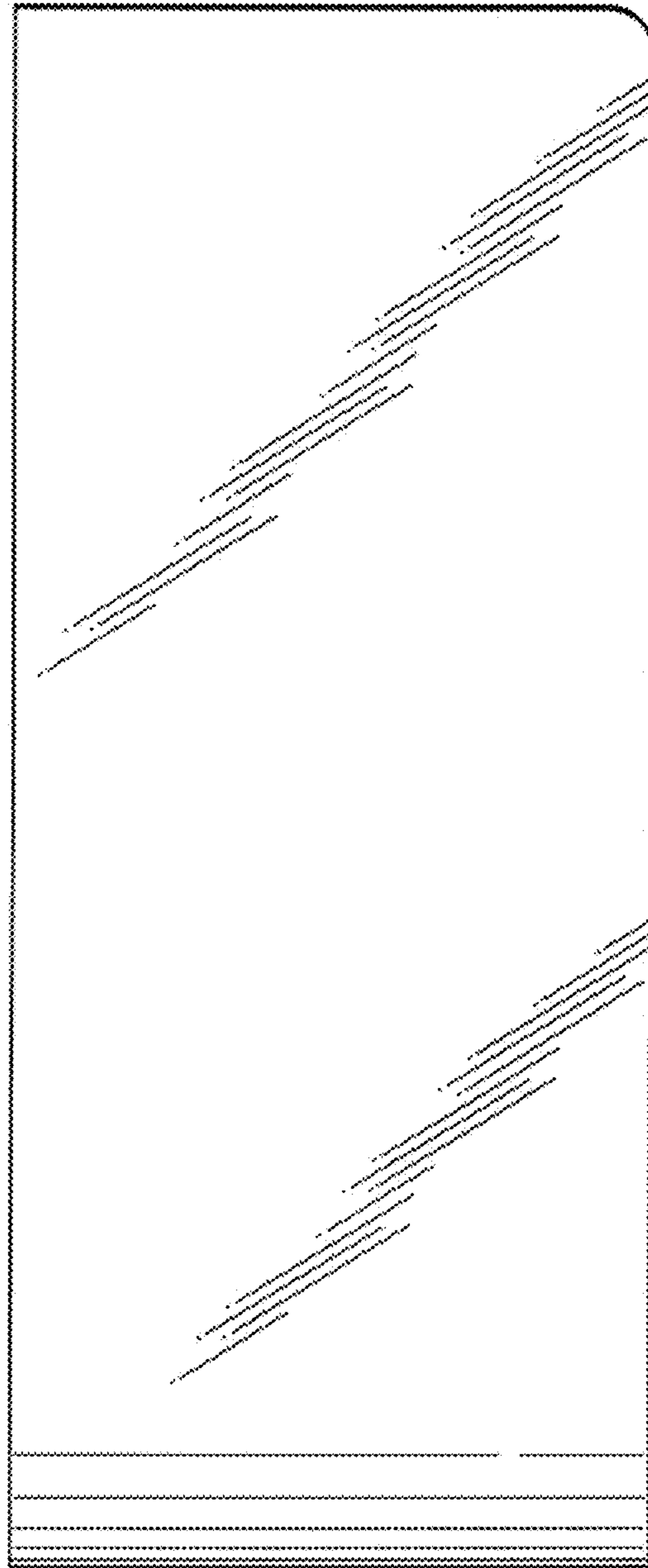


FIG. 12

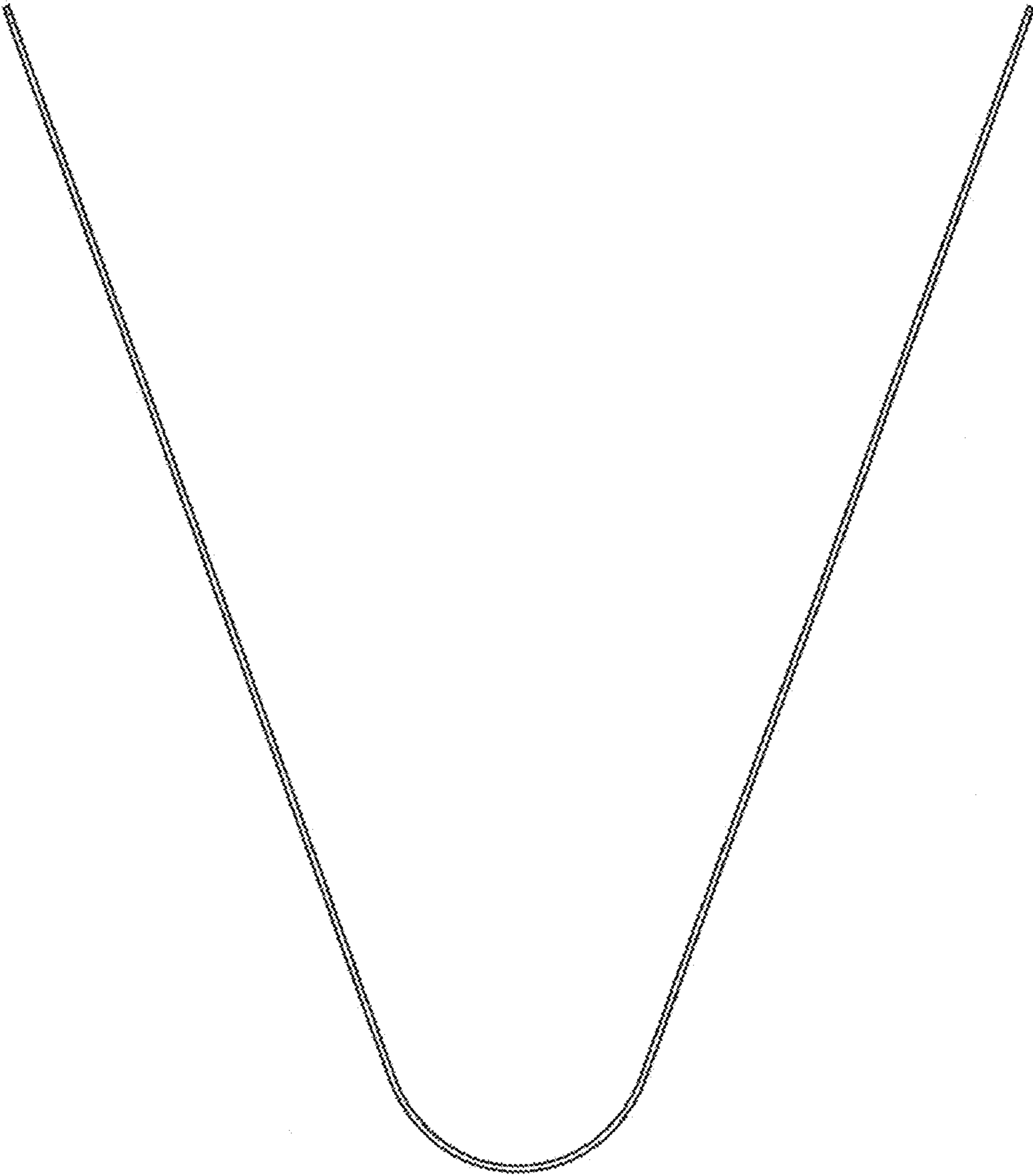


FIG. 13

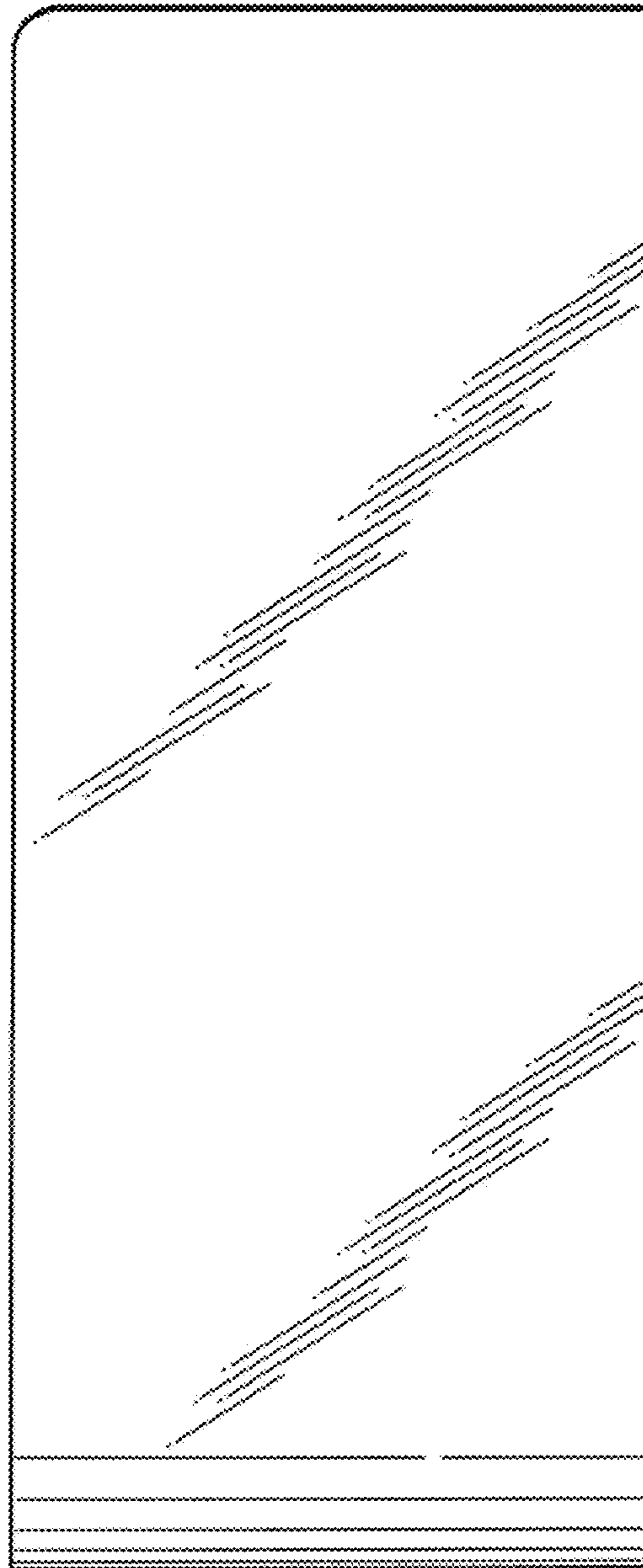


FIG. 14

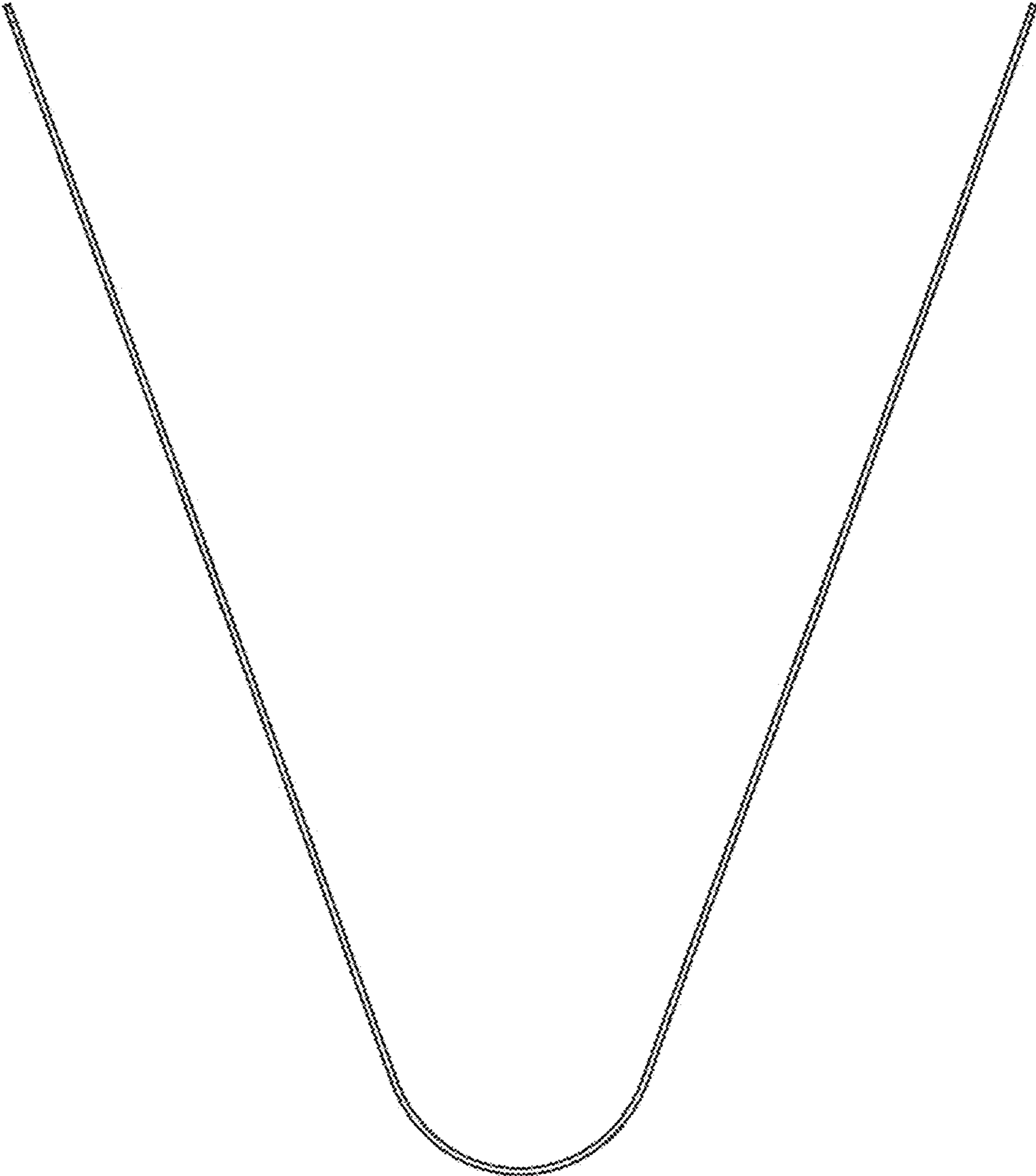


FIG. 15

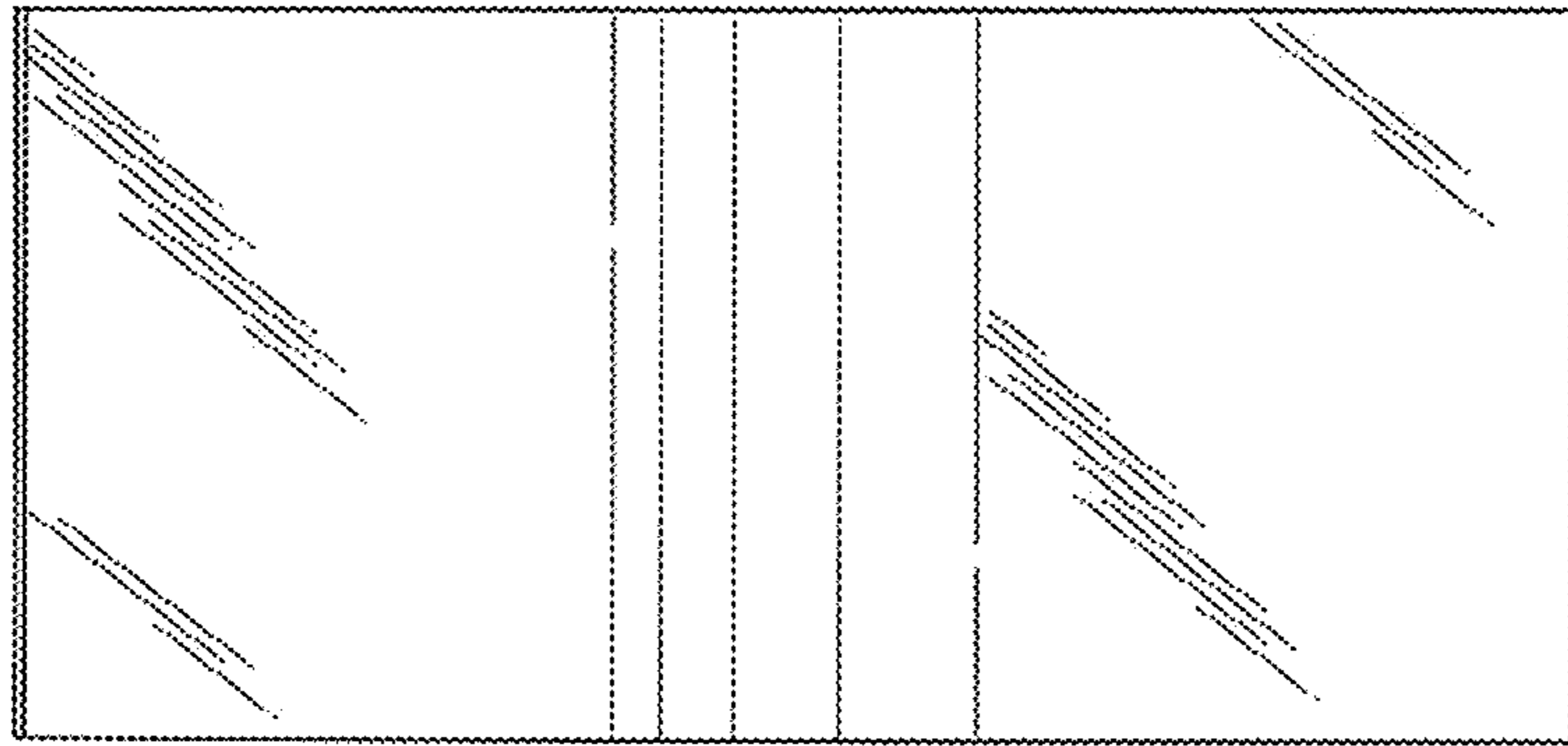


FIG. 16

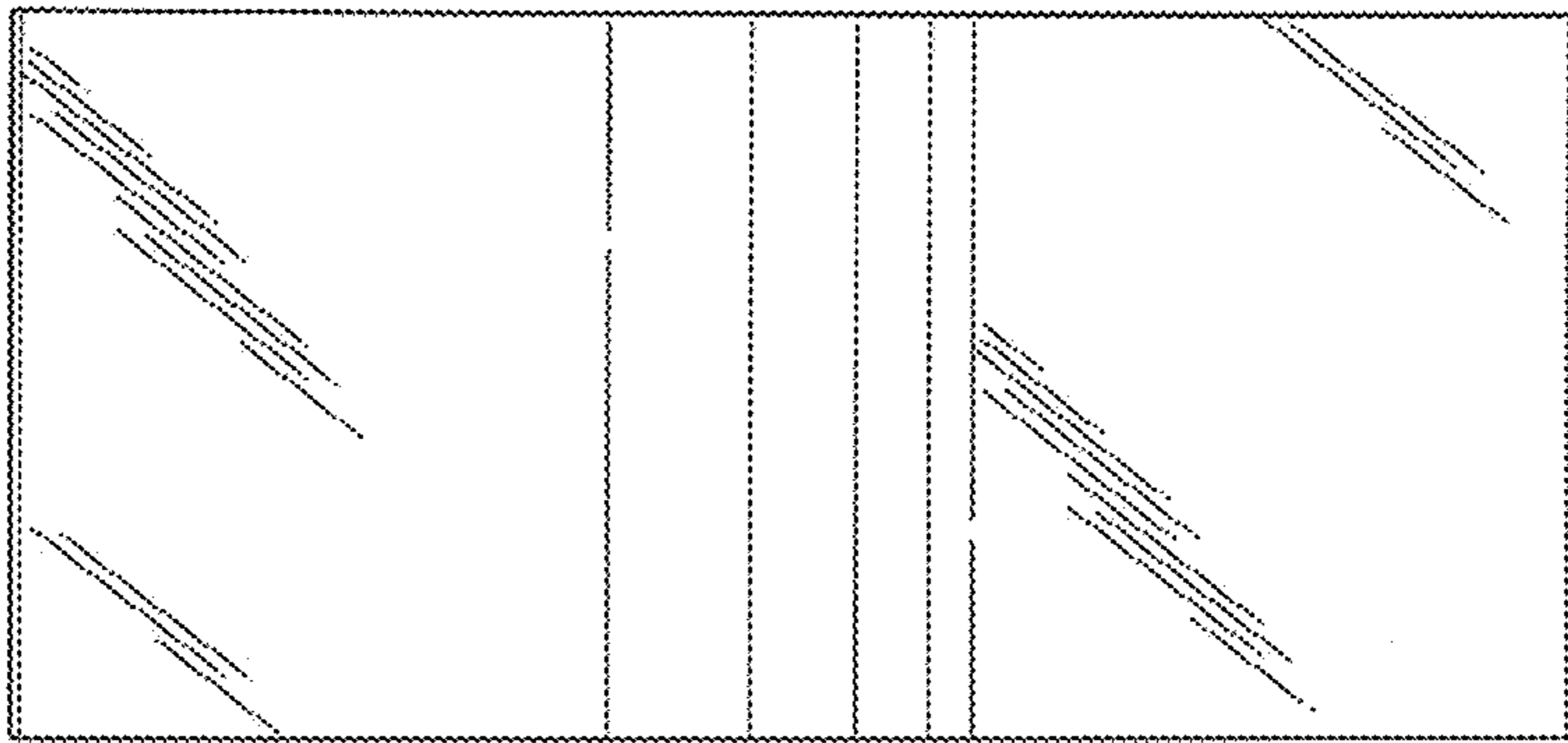


FIG. 17