



US00D806433S

(12) **United States Design Patent**
Roberts

(10) **Patent No.:** **US D806,433 S**
(45) **Date of Patent:** **** Jan. 2, 2018**

(54) **RETROFIT TOILET PAPER ROLL HOLDER**

(71) Applicant: **Ryan E. Roberts**, Englewood, FL (US)

(72) Inventor: **Ryan E. Roberts**, Englewood, FL (US)

(**) Term: **15 Years**

(21) Appl. No.: **29/598,718**

(22) Filed: **Mar. 28, 2017**

(51) **LOC (11) Cl.** **23-02**

(52) **U.S. Cl.**
USPC **D6/523**

(58) **Field of Classification Search**
USPC D6/518-523; 211/13.1, 16, 85.5, 86.01,
211/87.01, 88.04, 100, 105.1, 105.2, 106,
211/113, 12, 3, 181.1, 182-183; 248/49,
248/175, 176.1, 200, 201, 205.1, 251,
248/302, 309.1, 315; D8/300, 370, 315;
108/28-29; 242/570, 590, 595-598;
D25/45
CPC A47K 10/40; A47K 10/3836; A47K 10/22;
A47K 10/38; A47K 2010/389; A47K
2010/3233; A47K 2010/3872
See application file for complete search history.

(56) **References Cited**

U.S. PATENT DOCUMENTS

2,171,648	A *	9/1939	Ennis	A47K 10/3836 242/597.3
3,096,101	A *	7/1963	Raddeman	B65H 18/04 188/83
D229,805	S *	1/1974	James	D6/520
3,792,822	A *	2/1974	Underhill	A47K 10/3836 211/59.1
4,767,074	A *	8/1988	Bower	A47K 10/3836 242/594.5
D304,402	S *	11/1989	Van Hoose	D6/523
5,125,586	A *	6/1992	Whitethorn	A47K 10/3836 242/573.9
D386,028	S *	11/1997	Schneider	D6/520

D394,178	S *	5/1998	Gremchuck	D6/520
5,873,542	A *	2/1999	Perrin	A47K 10/3836 242/560
D414,361	S *	9/1999	Senecal, Jr.	D6/523
D427,828	S *	7/2000	Senecal, Jr.	D6/523
D427,829	S *	7/2000	Fleming	D6/523
6,216,978	B1 *	4/2001	Rodriguez	E04F 21/00 242/588.1
D465,366	S *	11/2002	Ouyoung	D6/523
D474,360	S *	5/2003	Yip	D6/521
D486,333	S *	2/2004	Hoernig	D6/521
D486,681	S *	2/2004	Hoernig	D6/523
D495,176	S *	8/2004	Wolpert	D6/523
D520,788	S *	5/2006	Hoernig	D6/546

(Continued)

Primary Examiner — David G Muller
Assistant Examiner — Nathan M Johnston
(74) *Attorney, Agent, or Firm* — Shumaker, Loop & Kendrick, LLP

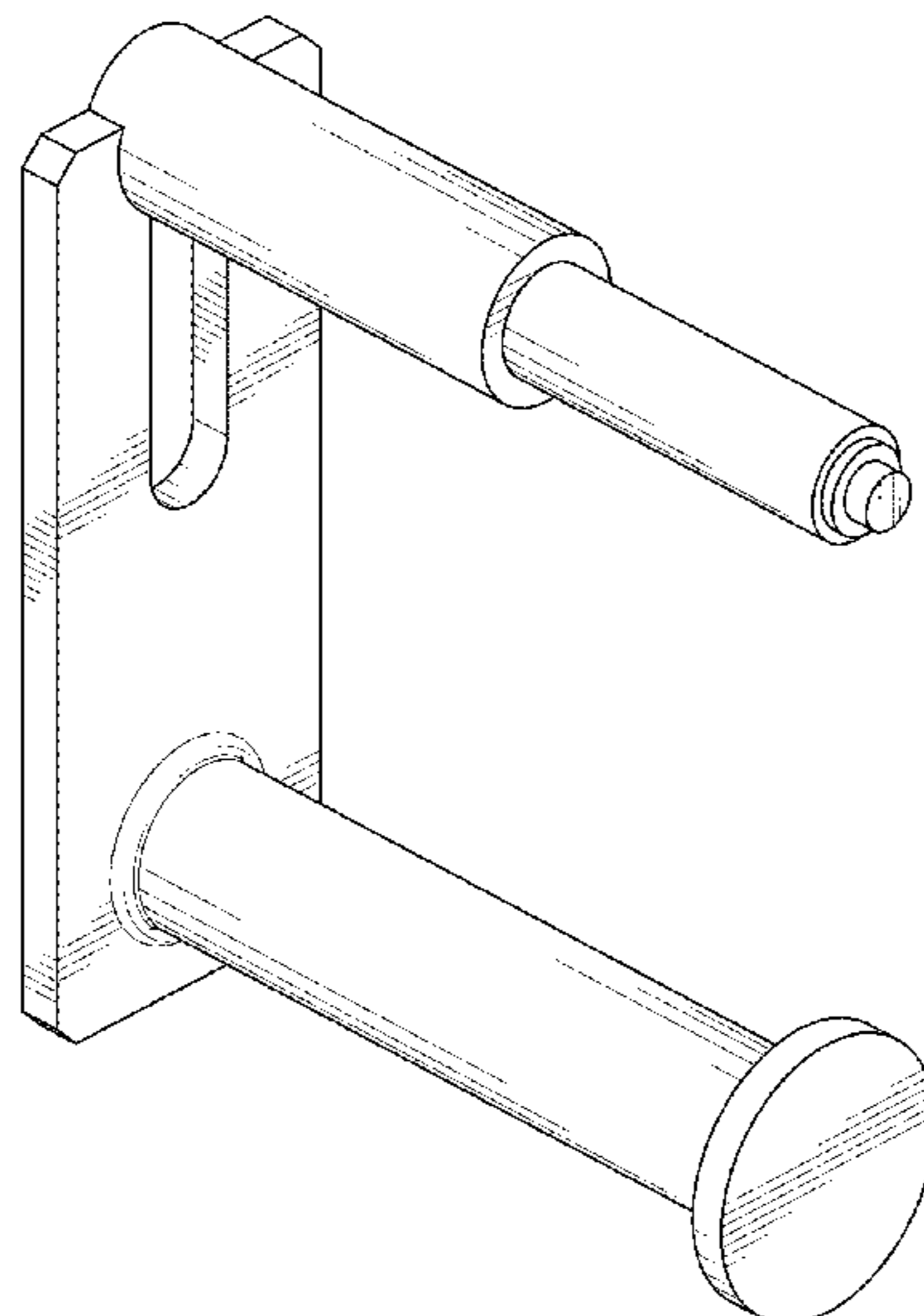
(57) **CLAIM**

The ornamental design for a retrofit toilet paper roll holder, as shown and described.

DESCRIPTION

FIG. 1 is a perspective view for a retrofit toilet paper roll holder showing my new design; FIG. 2. Is a front elevation view thereof; FIG. 3 is a rear elevation view thereof; FIG. 4 is a left side elevation view thereof; FIG. 5 is a right side elevation view thereof; FIG. 6 is a top plan view thereof, FIG. 7 is a bottom plan view thereof; and, FIG. 8 is a perspective view showing the retrofit toilet paper roll holder in an environment in which it may be used. The broken line showing of parts of the drawings is included for the purpose of illustrating use and environment and forms no part of the claimed design.

1 Claim, 6 Drawing Sheets



(56)

References Cited

U.S. PATENT DOCUMENTS

D528,839 S * 9/2006 Kirar D6/550
7,604,195 B1 * 10/2009 Lai B65B 59/00
242/130.2
D632,512 S * 2/2011 Bejdova D6/523
2003/0098384 A1 * 5/2003 Black A47K 10/3836
242/588.2
2007/0266584 A1 * 11/2007 Munson B25H 7/04
33/666
2017/0027395 A1 * 2/2017 Prior A47K 10/40

* cited by examiner

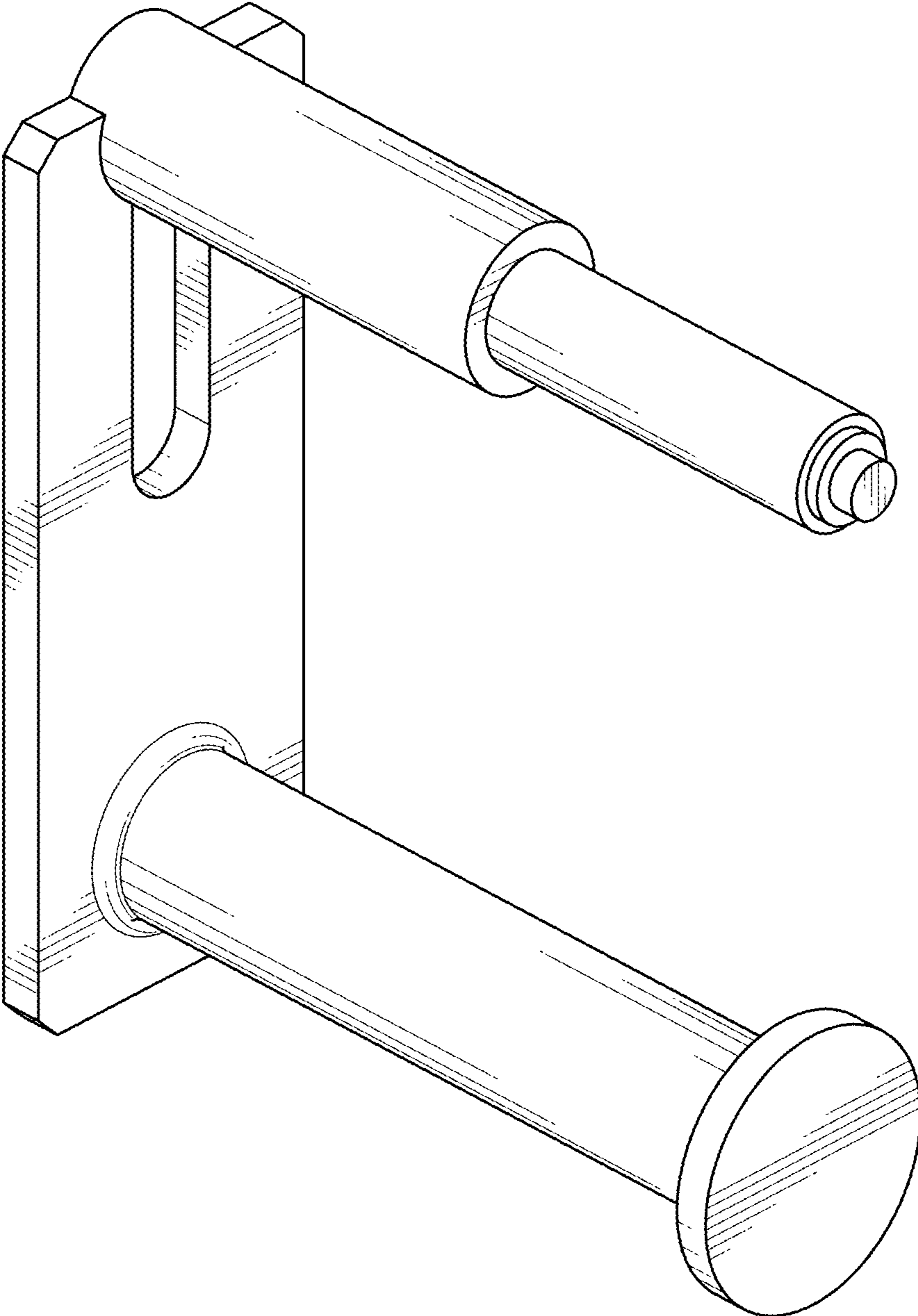


FIG. 1

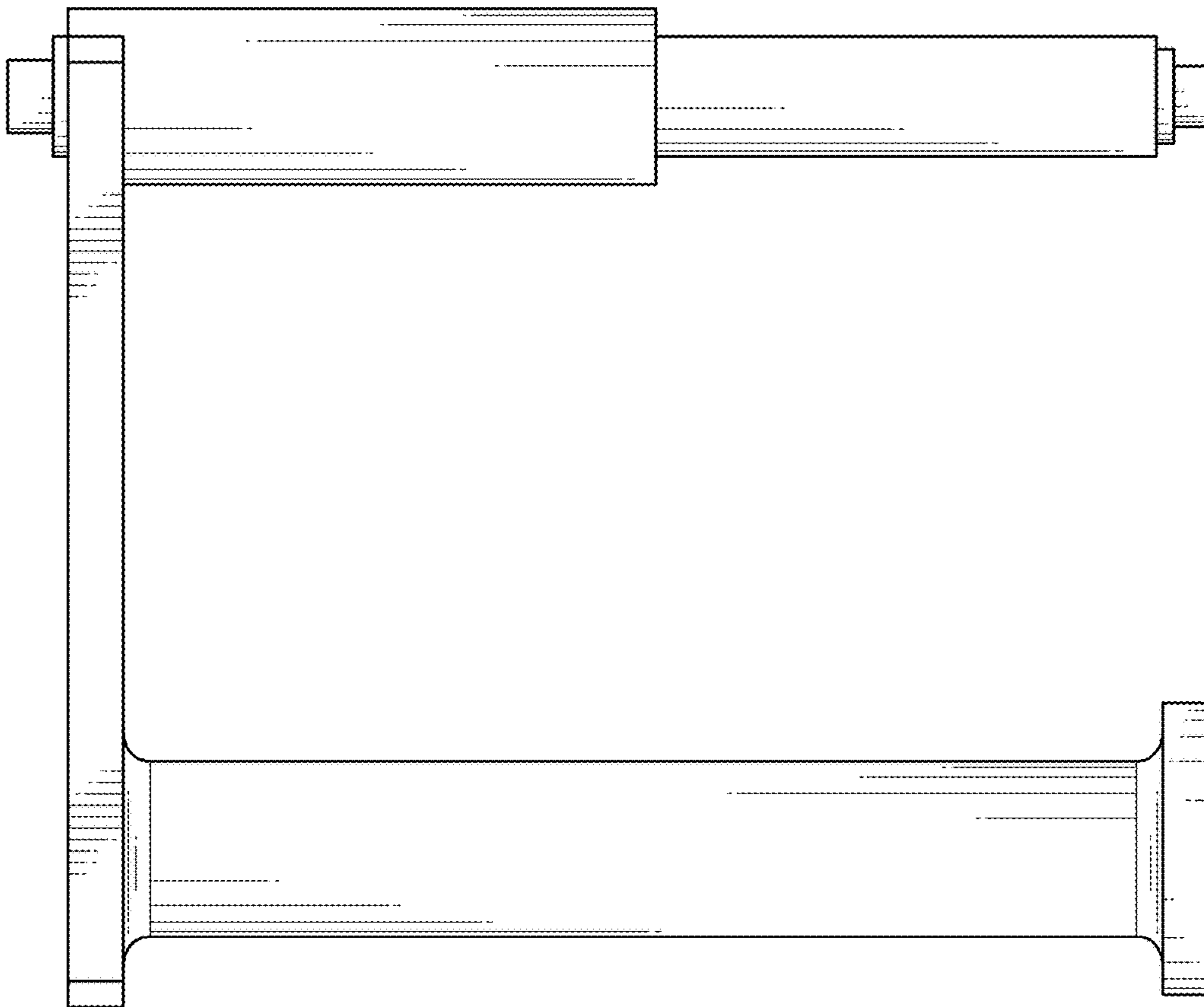


FIG. 2

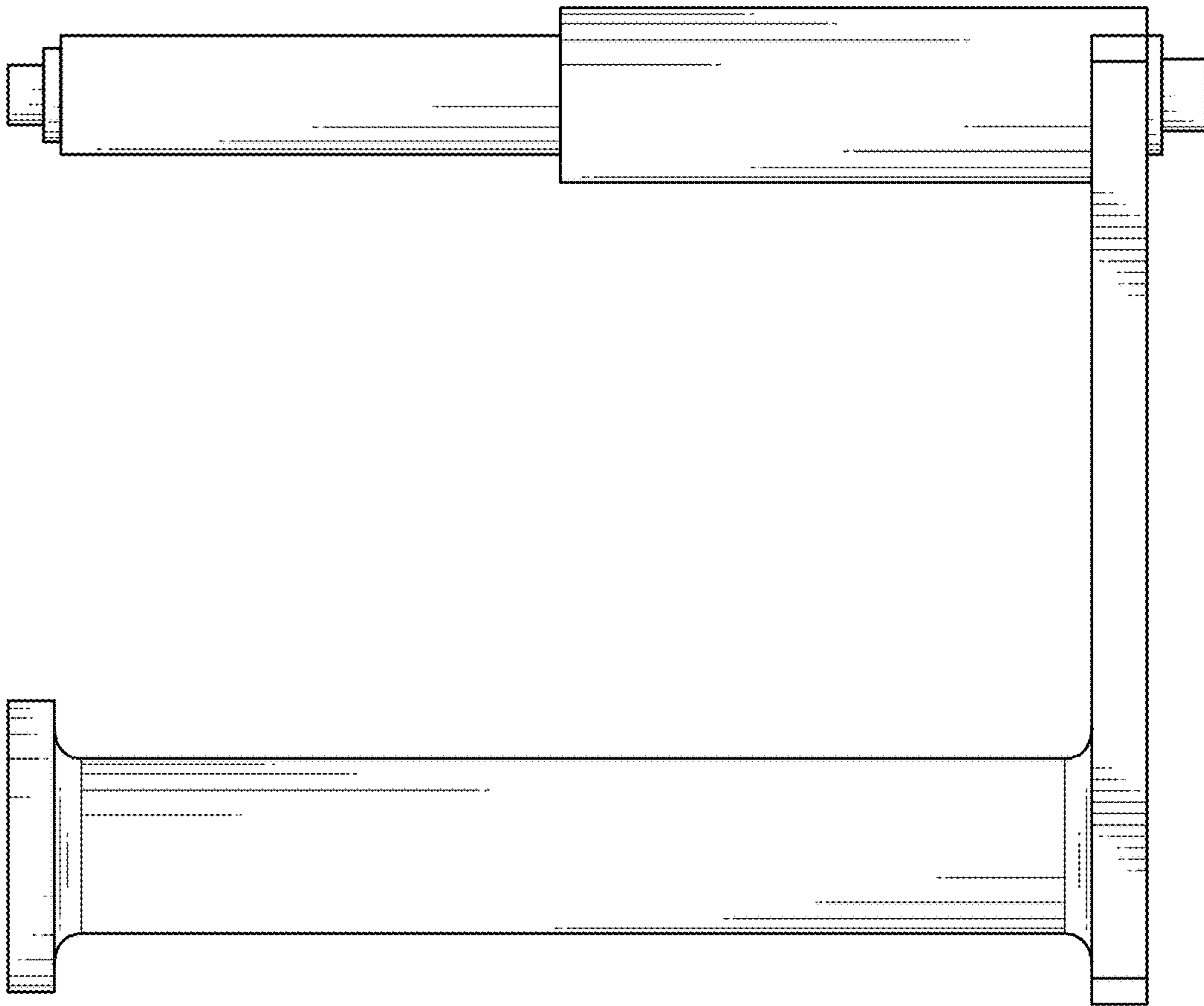


FIG. 3

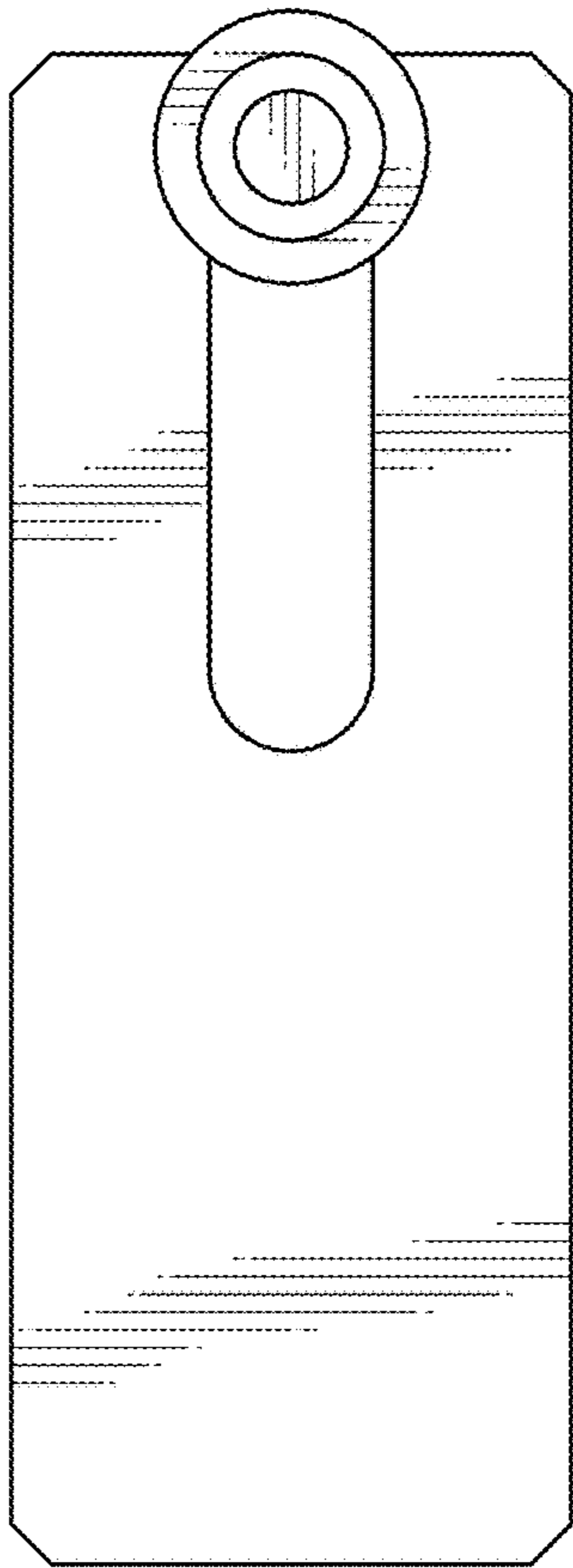


FIG. 4

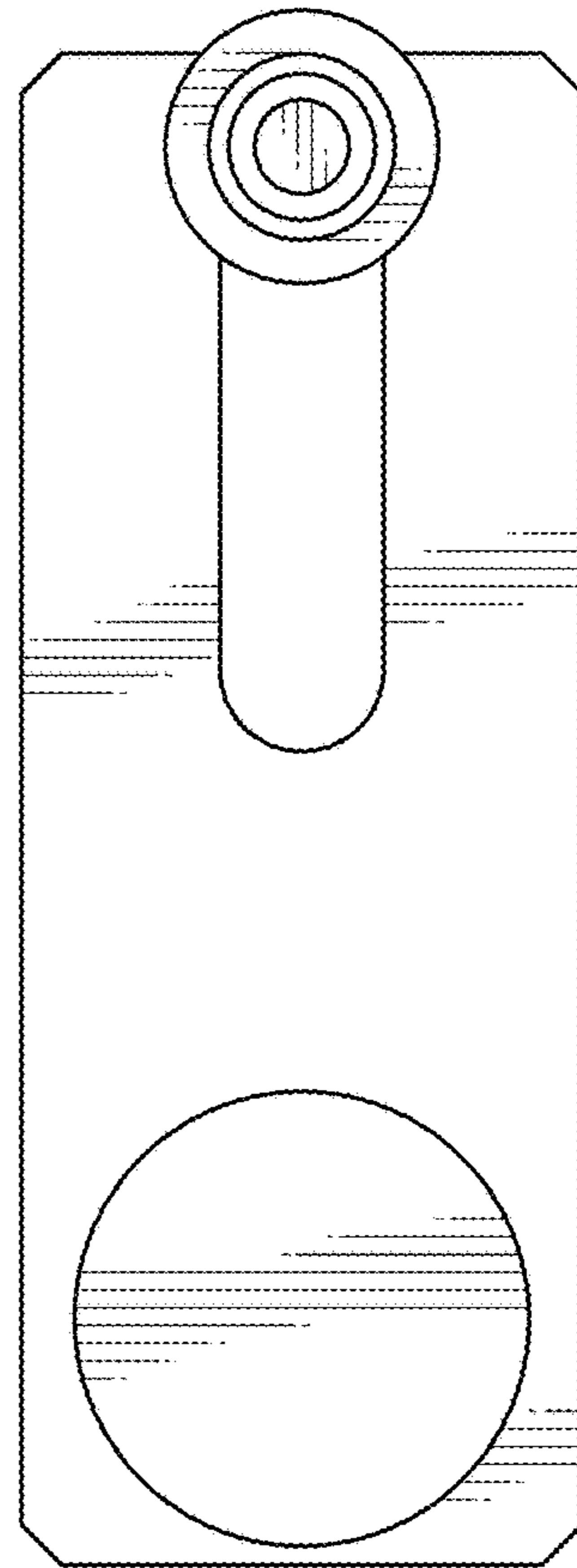


FIG. 5

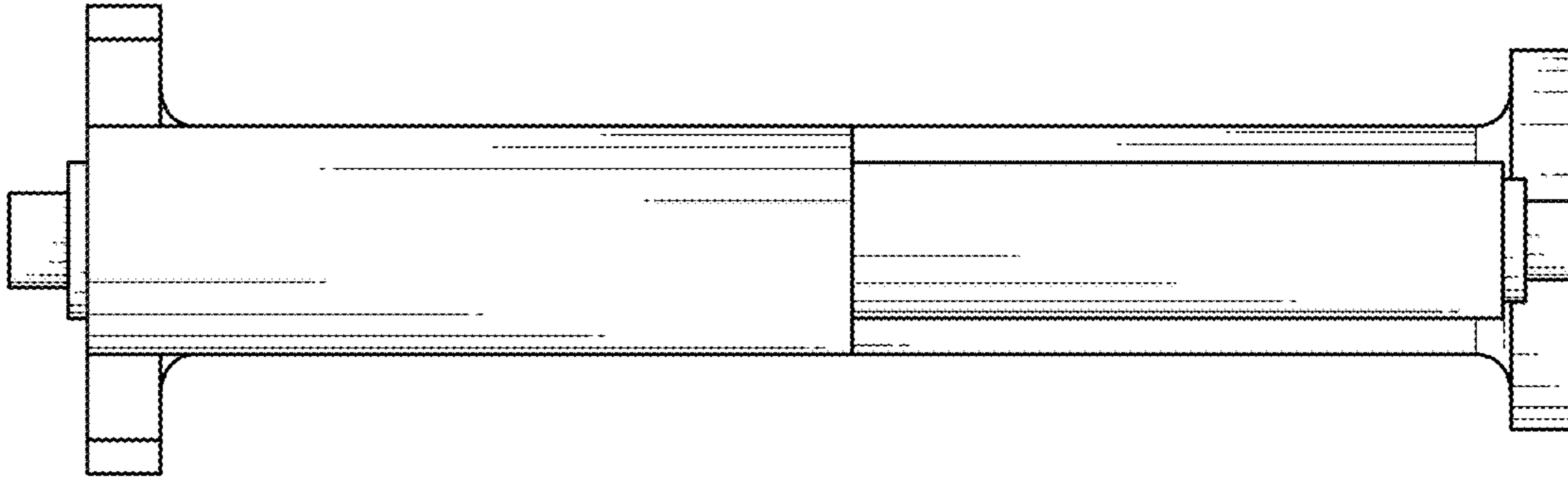


FIG. 6

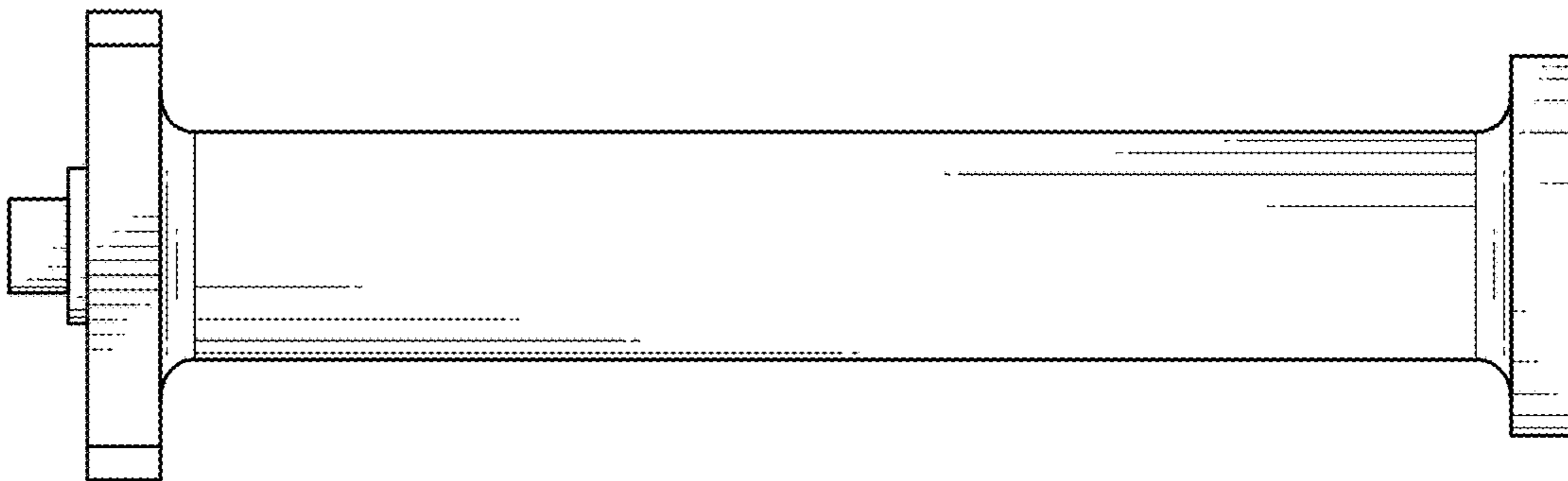


FIG. 7

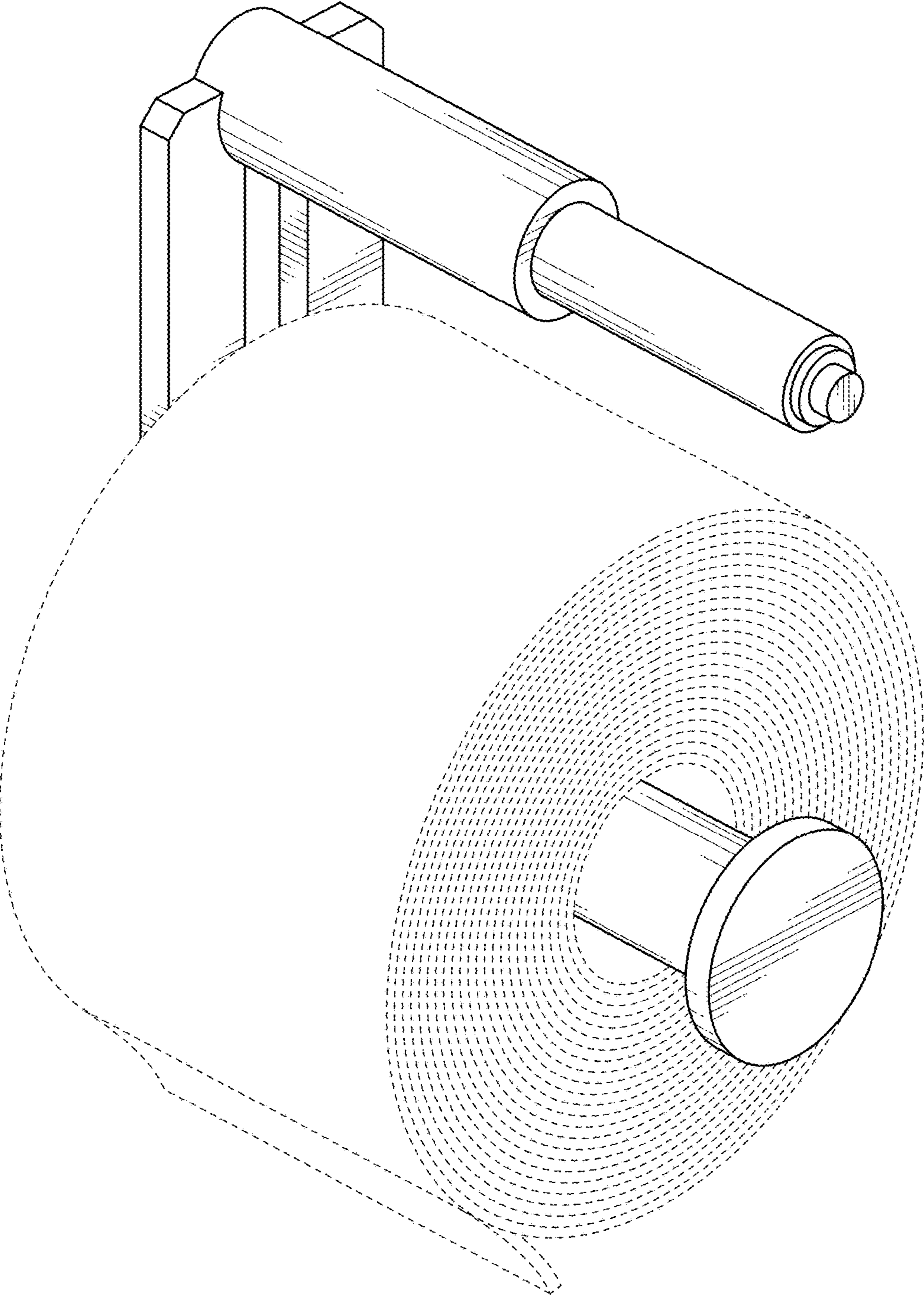


FIG. 8