



US00D806432S

(12) **United States Design Patent** (10) **Patent No.:** **US D806,432 S**  
**Goodman et al.** (45) **Date of Patent:** **\*\* Jan. 2, 2018**

(54) <b>PAPER TOWEL HOLDER</b>	D491,445 S * 6/2004 Clucas ..... D8/370 6,786,377 B1 * 9/2004 Holden ..... A47K 10/38 206/409
(71) Applicant: <b>Spectrum Diversified Designs, LLC</b> , Streetsboro, OH (US)	D499,286 S * 12/2004 Harwanko ..... D6/514 7,350,742 B1 * 4/2008 Mariano ..... A47K 10/38 242/598.3
(72) Inventors: <b>Aaron Goodman</b> , Beachwood, OH (US); <b>Courtney Wilson</b> , Chardon, OH (US)	D701,058 S * 3/2014 Goodman ..... D6/522 D723,298 S * 3/2015 Goodman ..... D6/513 D764,828 S * 8/2016 Chang ..... D6/522 D785,369 S 5/2017 Goodman
(73) Assignee: <b>Spectrum Diversified Designs, LLC</b> , Streetsboro, OH (US)	2002/0033406 A1 * 3/2002 Holden ..... A47K 10/38 225/96.5

(\*\*) Term: **15 Years**

(21) Appl. No.: **29/589,924**

(22) Filed: **Jan. 5, 2017**

(51) **LOC (11) Cl.** ..... **06-04**

(52) **U.S. Cl.**  
USPC ..... **D6/522**

(58) **Field of Classification Search**  
USPC ..... D6/518-523; 211/13.1, 16, 85.5, 86.01,  
211/87.01, 88.04, 100, 105.1, 105.2, 106,  
211/113, 123, 181.1, 182-183; 248/49,  
248/175, 176.1, 200, 201, 205.1, 251,  
248/302, 309.1, 315; D8/300, 370, 315;  
108/28-29; 242/570, 590, 595-598;  
D25/45

CPC .... A47K 10/40; A47K 10/3836; A47K 10/22;  
A47K 10/38; A47K 2010/389; A47K  
2010/3233; A47K 2010/3872

See application file for complete search history.

(56) **References Cited**

**U.S. PATENT DOCUMENTS**

4,655,409 A *	4/1987	Zima .....	B41J 15/04 242/538.1
D399,415 S *	10/1998	Gay .....	D8/370
5,839,687 A *	11/1998	Magnafici .....	A01K 89/003 242/129.8
D448,592 S *	10/2001	McBride .....	D6/522
D449,477 S *	10/2001	Travis .....	D6/546

**OTHER PUBLICATIONS**

Spectrum Diversified website, Duo Over the Cabinet Towel Bar & Paper Towel Holder, Oct. 25, 2017, <https://www.spectrumdiversified.com/products/Duo-Over-Cabinet-Towel-Bar-Paper-Towel-Holder> (Year: 2017).\*

\* cited by examiner

*Primary Examiner* — David G Muller  
*Assistant Examiner* — Nathan M Johnston  
(74) *Attorney, Agent, or Firm* — Tucker Ellis LLP;  
Patrick F. Clunk

(57) **CLAIM**

The ornamental design for a paper towel holder, as shown and described.

**DESCRIPTION**

FIG. 1 is a perspective view of a paper towel holder showing our new design.

FIG. 2 is a front elevation view thereof.

FIG. 3 is a rear elevation view thereof.

FIG. 4 is a right side elevation view thereof.

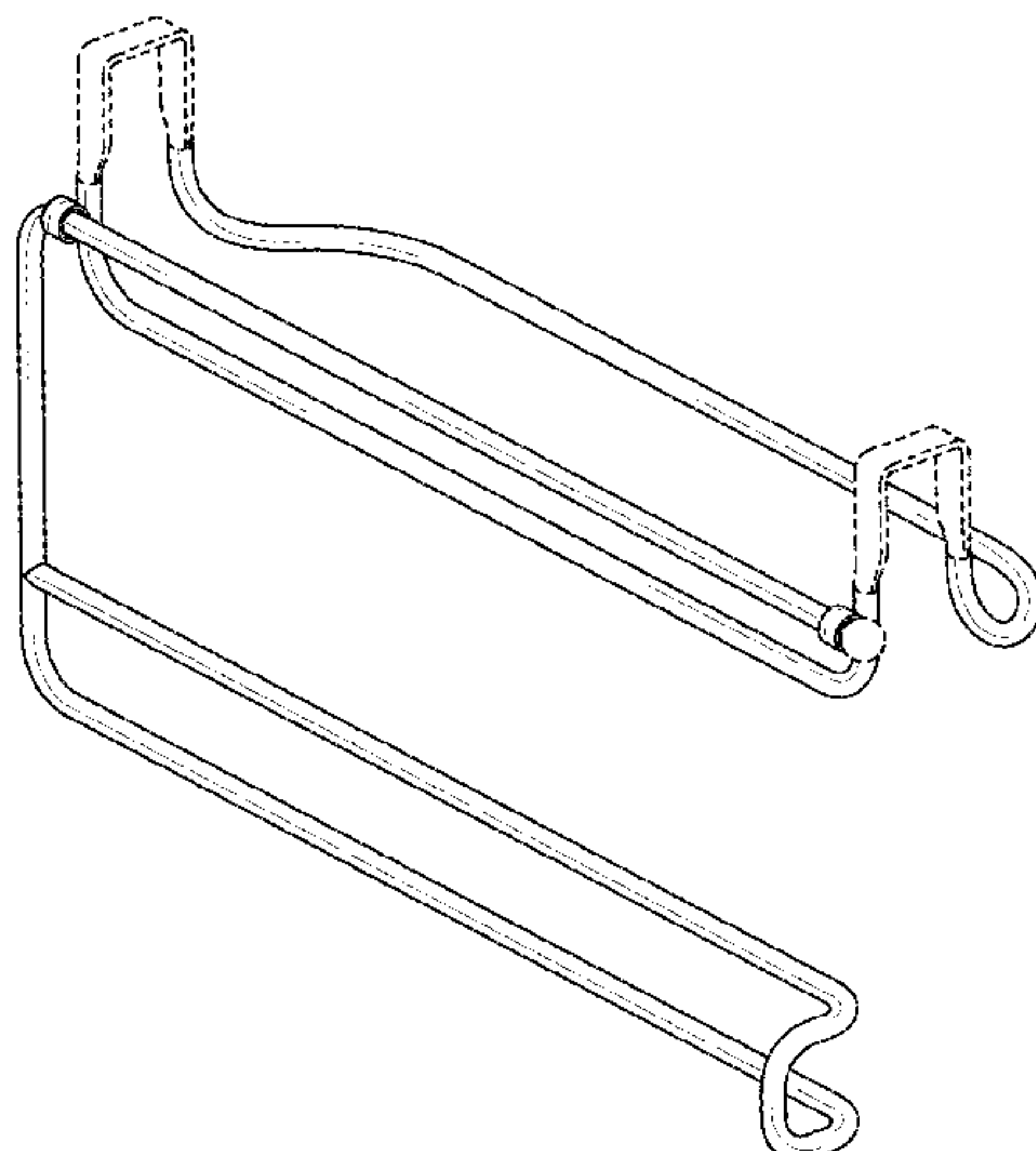
FIG. 5 is a left side elevation view thereof.

FIG. 6 is a top plan view thereof; and,

FIG. 7 is a bottom plan view thereof.

The broken lines show portions of the design that form no part of the claimed design.

**1 Claim, 4 Drawing Sheets**



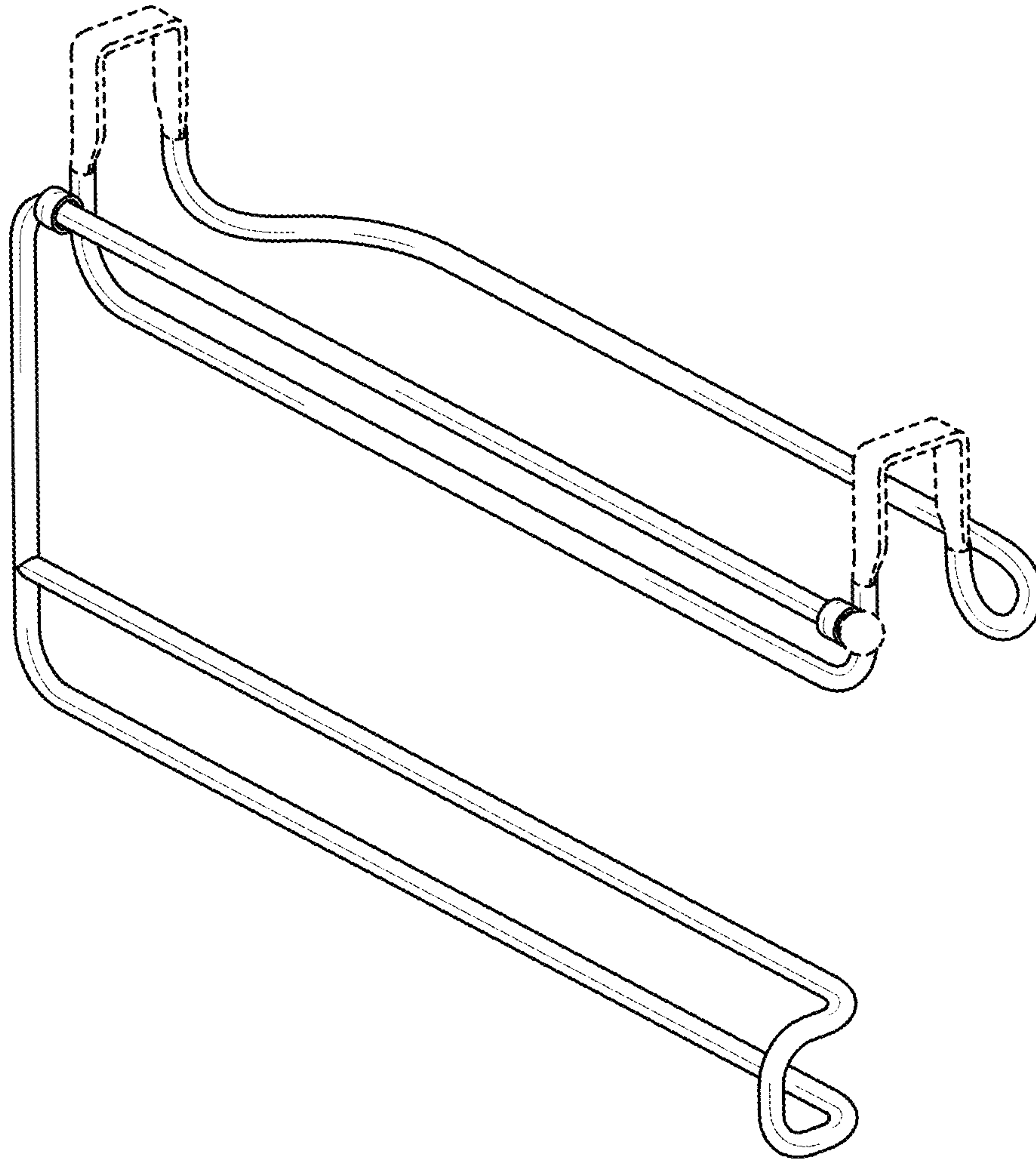


FIG. 1

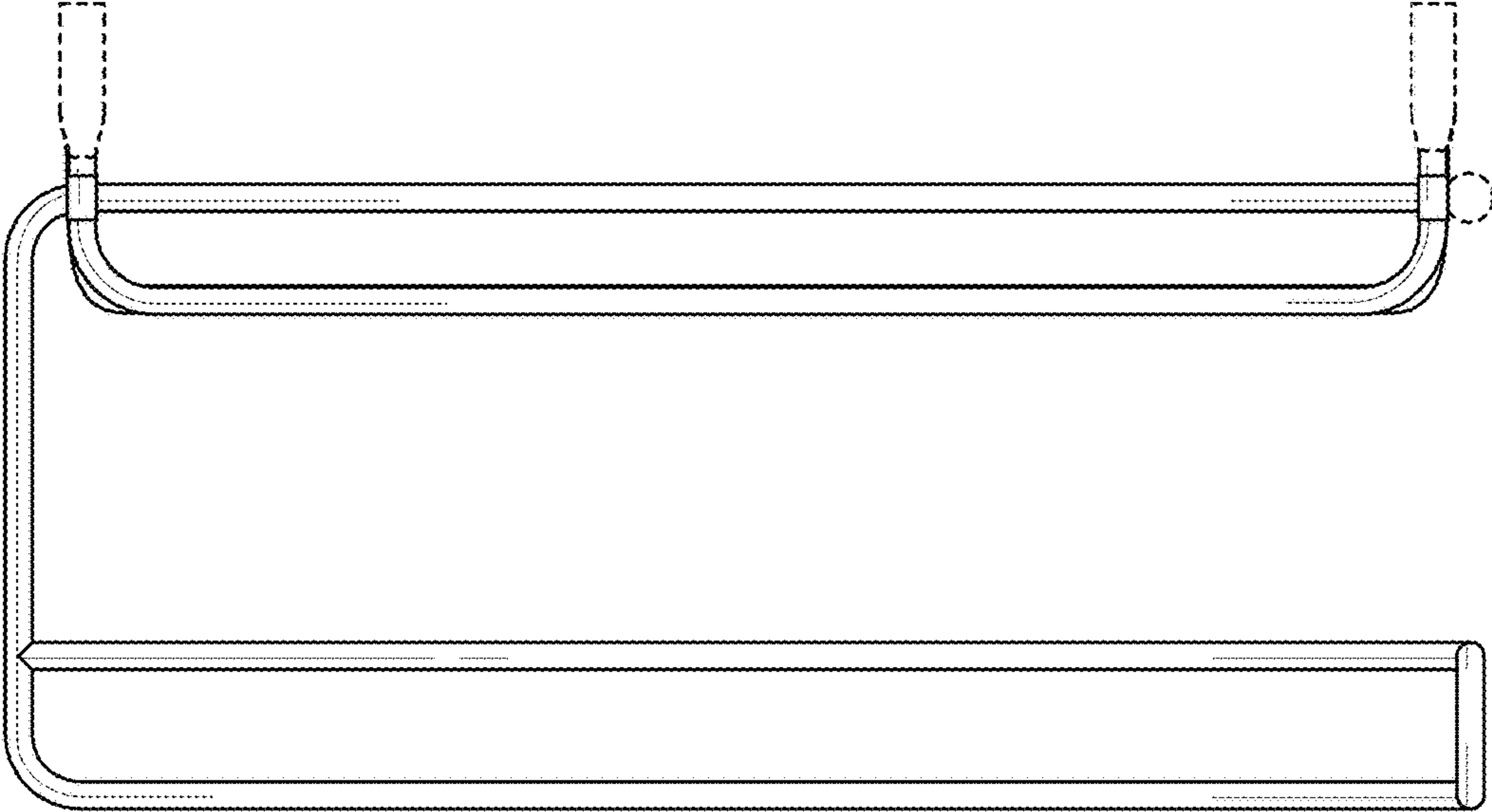


FIG. 2

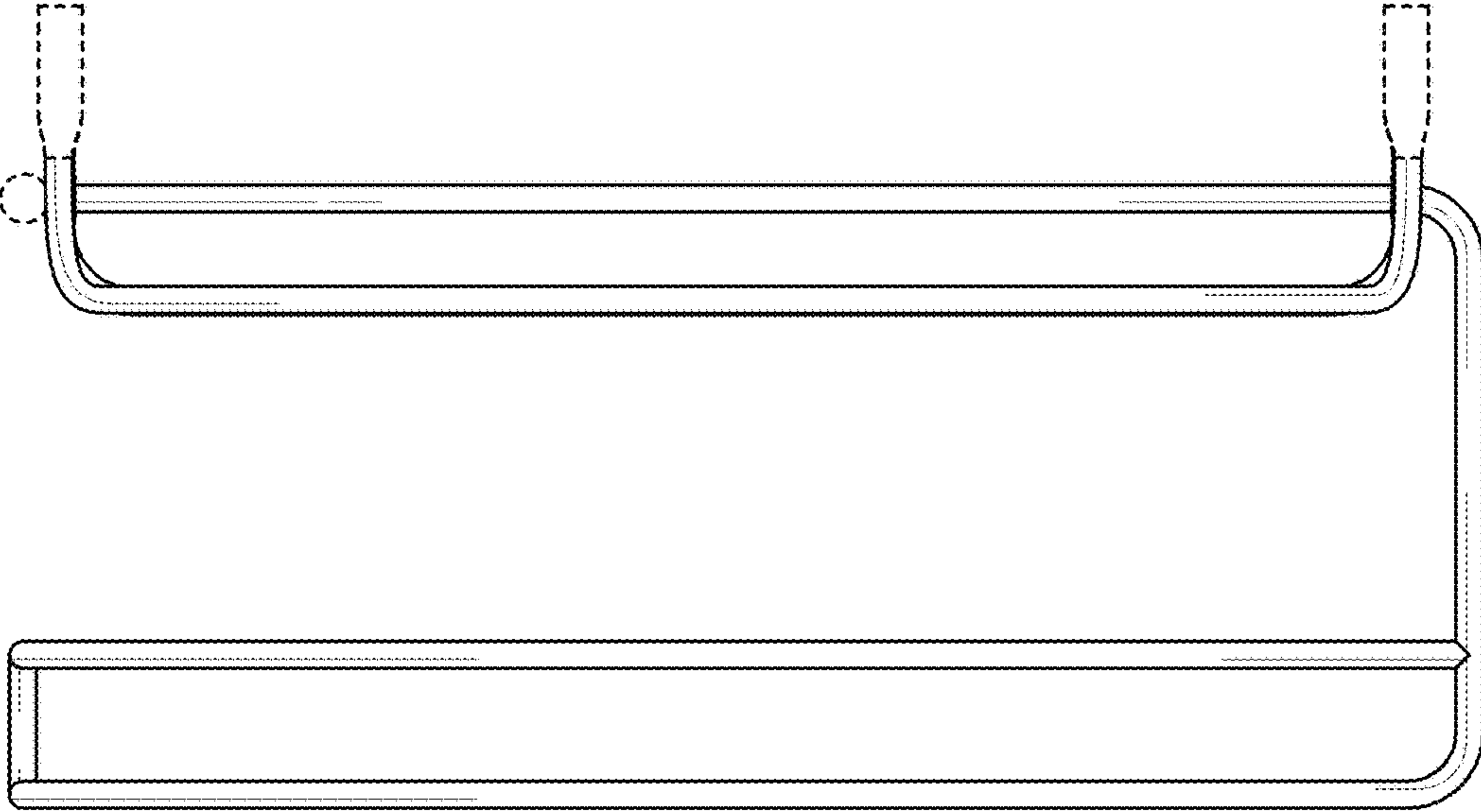


FIG. 3

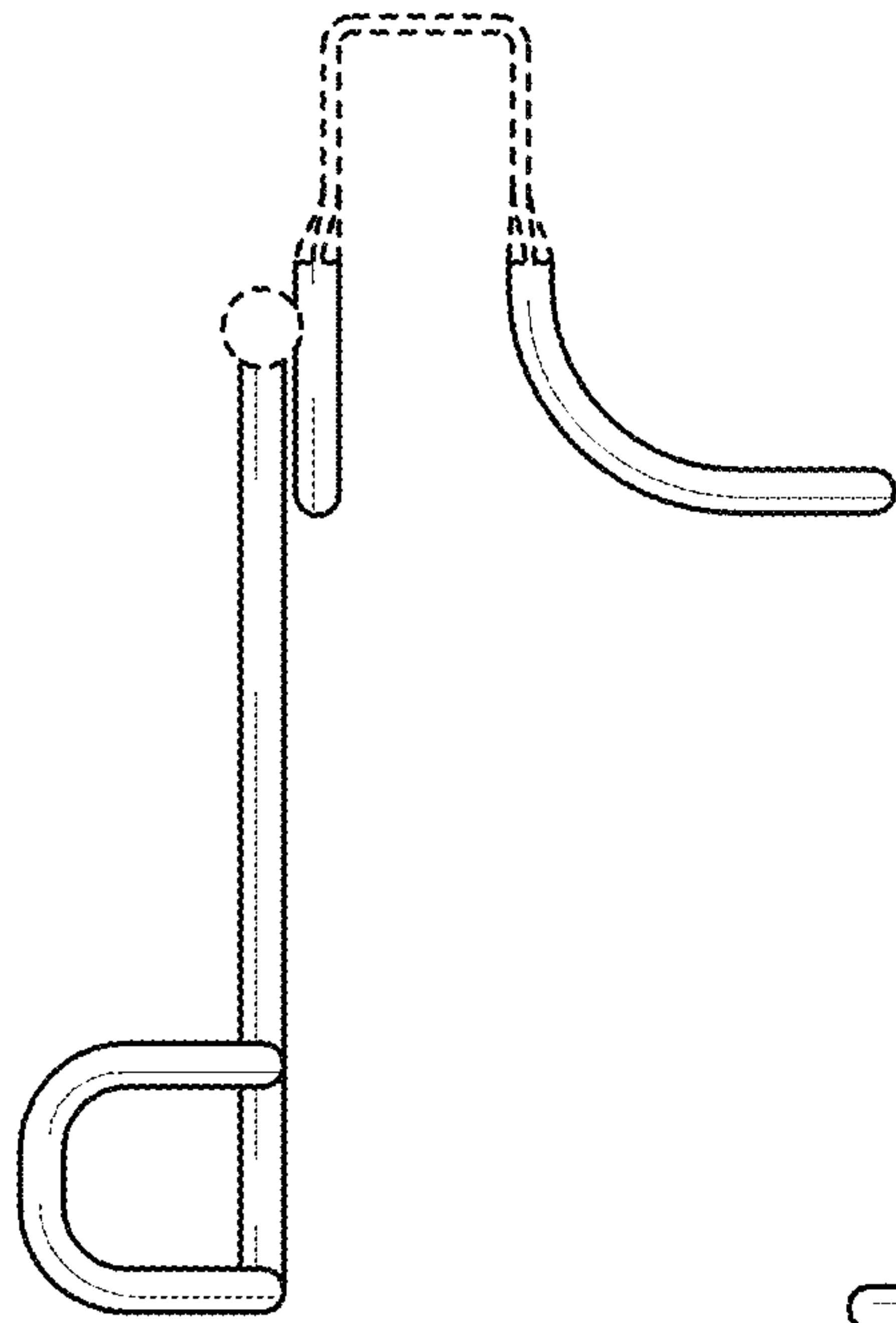


FIG. 4

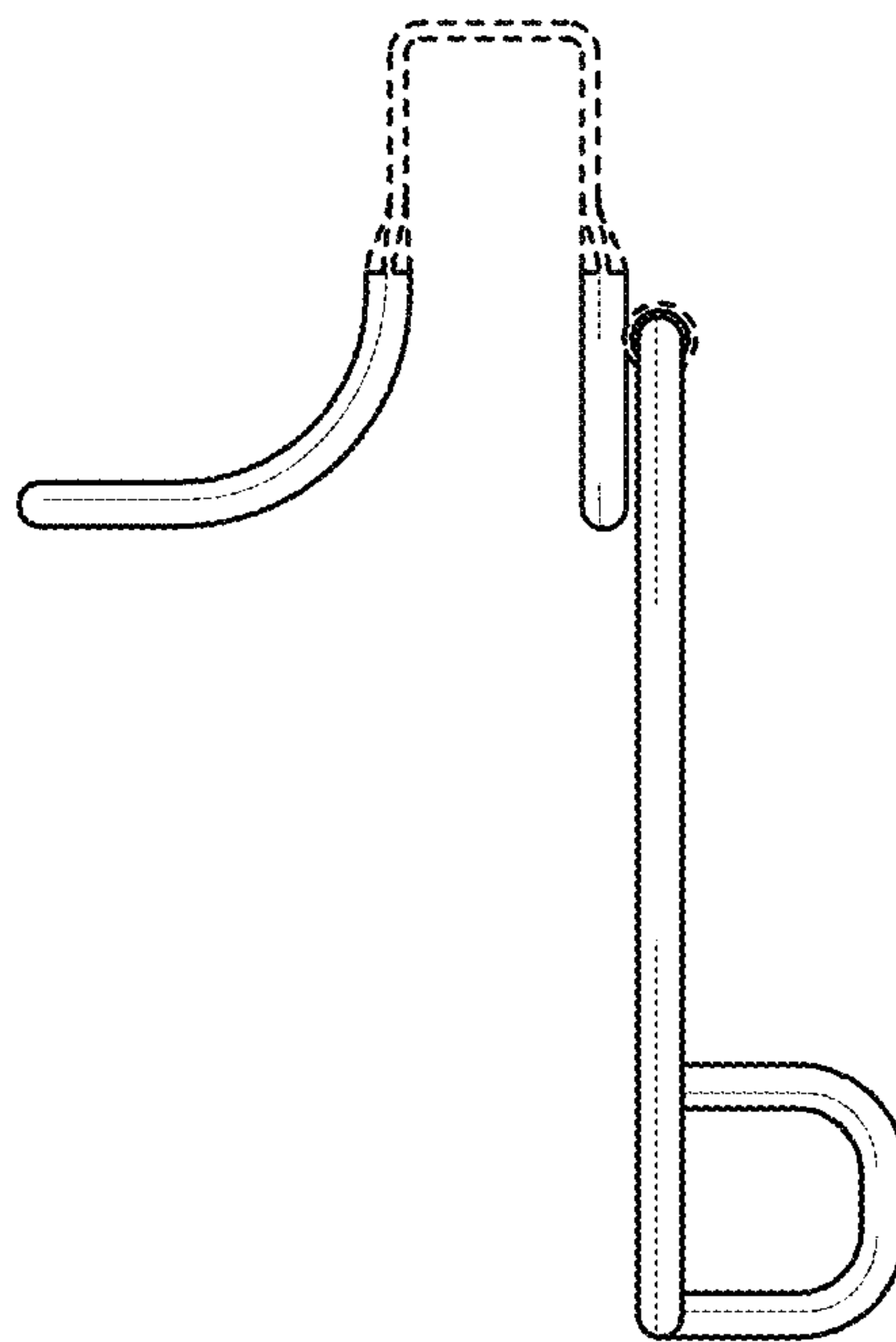


FIG. 5

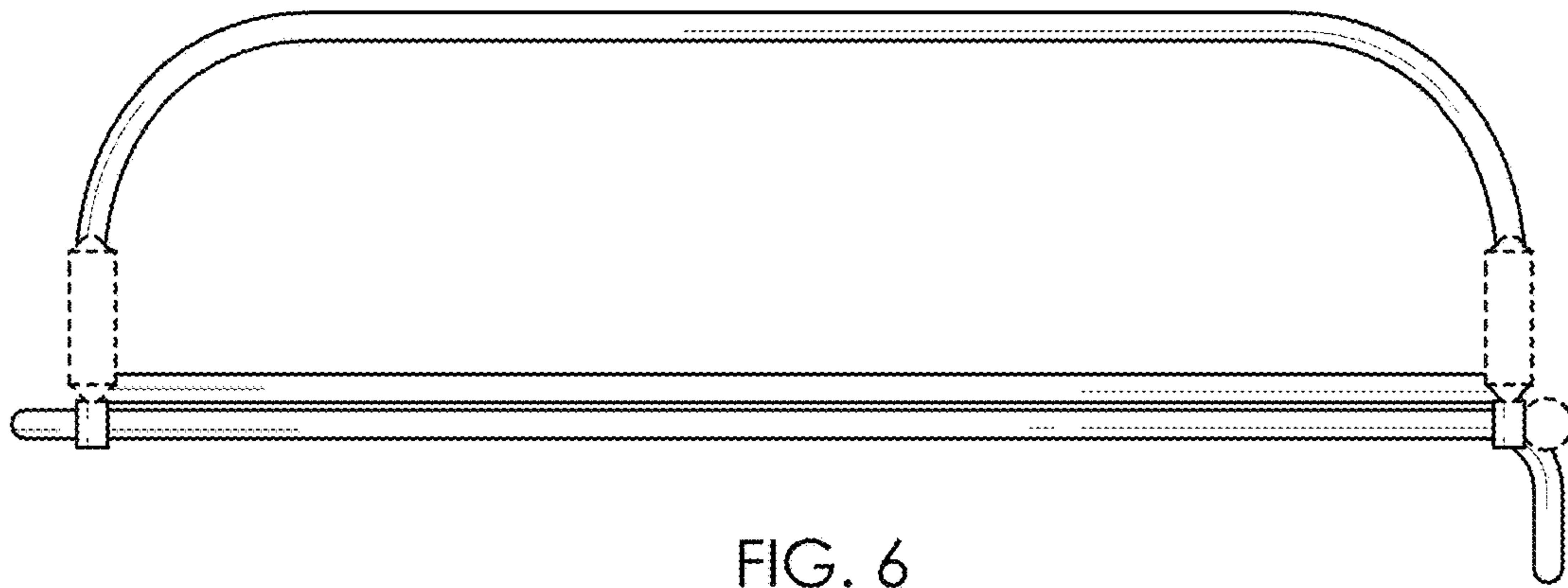


FIG. 6

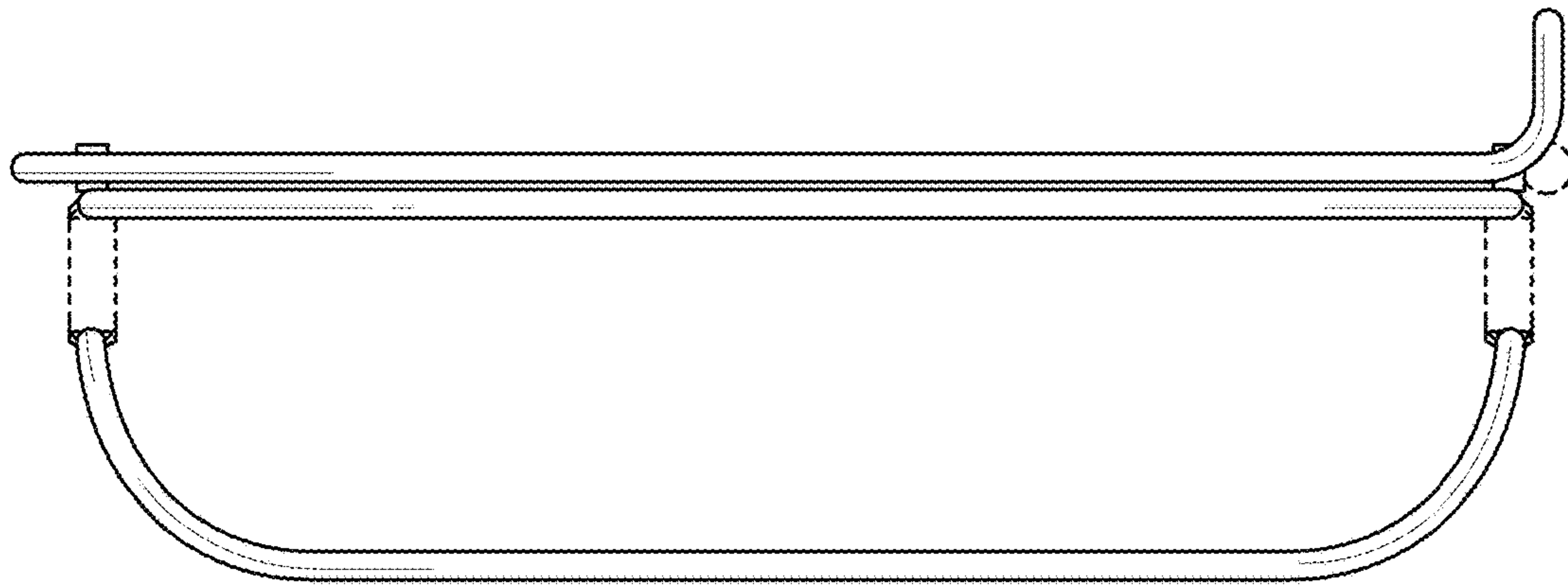


FIG. 7