



US00D806431S

(12) **United States Design Patent**
Hafen

(10) **Patent No.:** **US D806,431 S**

(45) **Date of Patent:** **** Jan. 2, 2018**

- (54) **GARBAGE BAG DISPENSER**
- (71) Applicant: **Kyle Daniel Hafen**, Santa Clara, UT (US)
- (72) Inventor: **Kyle Daniel Hafen**, Santa Clara, UT (US)
- (**) Term: **15 Years**
- (21) Appl. No.: **29/558,678**
- (22) Filed: **Mar. 21, 2016**
- (51) **LOC (11) Cl.** **20-02**
- (52) **U.S. Cl.**
USPC **D6/518**
- (58) **Field of Classification Search**
USPC D6/518, 512, 553, 559, 560, 566, 567, D6/572, 573, 574; D7/601, 608, 622, D7/704; D3/201, 202, 205, 306, 304, D3/316
CPC A47K 10/38; A47K 10/40; A47K 10/32; A47K 2010/3233; A47K 10/36; Y10T 156/1795; Y10T 225/241; Y10T 137/6954; Y10T 83/896; B65H 16/005; B65H 35/0006; B65H 75/40; B65H 49/322; B65H 49/205; B65H 35/002; B65H 16/02; B65H 19/126; B65H 75/14; B65H 2701/5122; B65H 2511/142
See application file for complete search history.

- D273,826 S * 5/1984 Anderson D6/518
- D275,918 S * 10/1984 Taylor D3/304
- D289,122 S * 4/1987 Meyer D3/266
- D304,638 S * 11/1989 Ireland D3/304
- 4,955,505 A 9/1990 Battaglia
- D310,925 S * 10/1990 Mervar D19/75
- D324,617 S * 3/1992 McCauley D6/518
- 5,322,179 A 6/1994 Ting
- 5,669,576 A 9/1997 Moody
- D405,303 S * 2/1999 Giugiaro D6/518
- D406,698 S * 3/1999 Miller D3/307
- 6,234,339 B1 5/2001 Thomas
- 6,299,095 B1 * 10/2001 Murfin B65H 75/40
206/395
- 6,354,462 B1 * 3/2002 Conran A47K 10/424
221/197
- 7,147,102 B2 * 12/2006 Silverbrook B41J 15/044
206/225

(Continued)

Primary Examiner — Lauren Calve
(74) *Attorney, Agent, or Firm* — Zachary D. Renstrom

(57) **CLAIM**

The ornamental design for a garbage bag dispenser, as shown and described.

DESCRIPTION

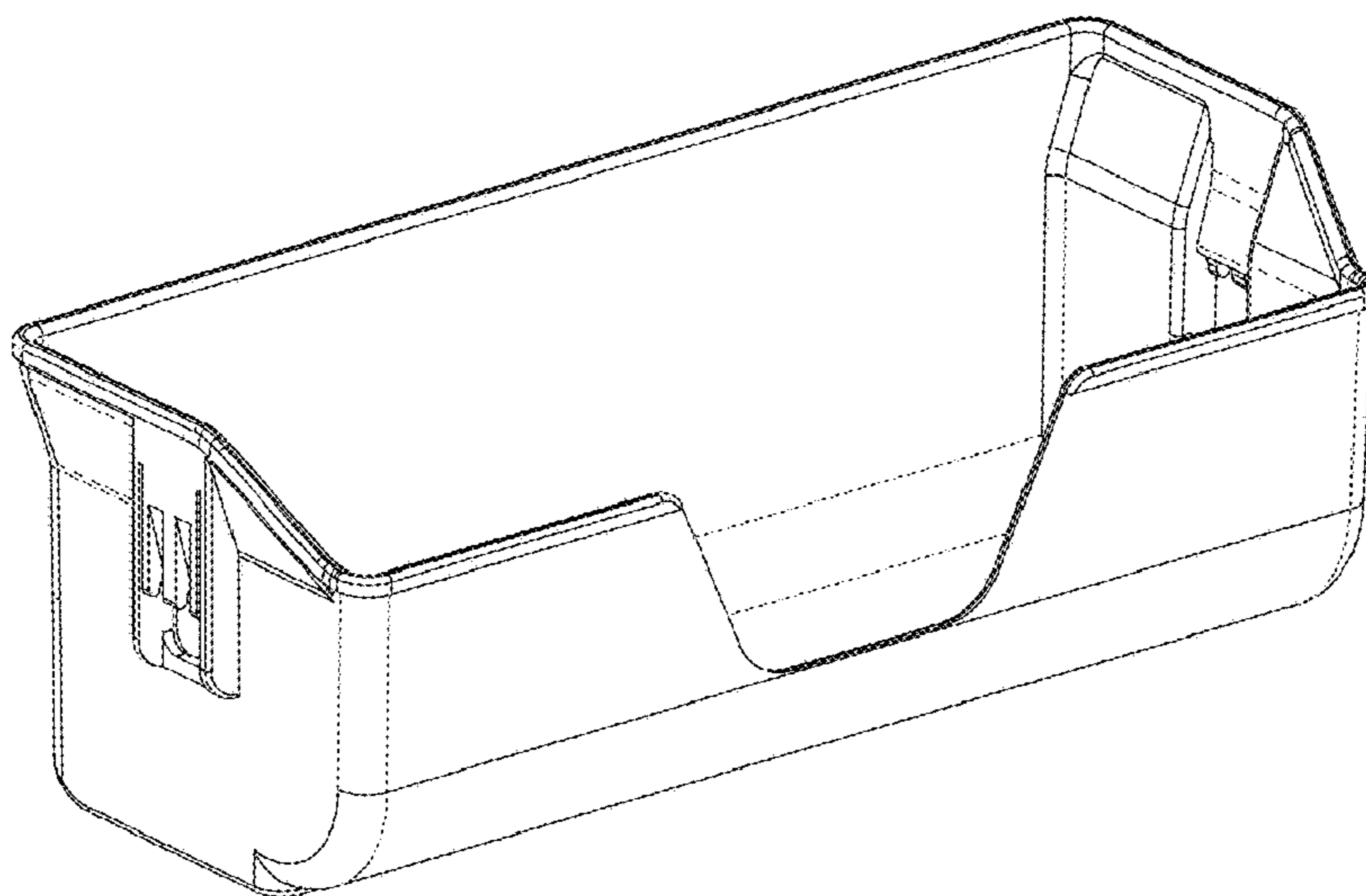
FIG. 1 is a perspective view of a garbage bag dispenser showing my new design;
FIG. 2 is a top view thereof;
FIG. 3 is a perspective new thereof shown in environmental use;
FIG. 4 is a perspective new thereof shown in a second environmental use;
FIG. 5 is a perspective view thereof shown in a third environmental use; and,
FIG. 6 is a perspective view of the garbage bag dispenser of FIG. 1.

The broken lines shown represent unclaimed subject matter and form no part of the claimed design.

1 Claim, 4 Drawing Sheets

(56) **References Cited**
U.S. PATENT DOCUMENTS

- D171,910 S * 4/1954 Nowak D9/424
- 3,679,110 A * 7/1972 Stine B65D 85/672
225/47
- 3,698,548 A 10/1972 Stenzel
- 4,349,123 A 9/1982 Yang
- 4,417,495 A * 11/1983 Gordon B26D 7/14
225/43
- D272,288 S * 1/1984 Pfaff D3/304



(56)

References Cited

U.S. PATENT DOCUMENTS

D546,603	S *	7/2007	Cittadino	D6/518
7,395,990	B1	7/2008	Stevens		
D636,198	S *	4/2011	Gibbs	D6/513
D647,340	S *	10/2011	Stephens	D6/518
D677,055	S *	3/2013	Nowicky	D3/304
D718,952	S *	12/2014	Currat	D6/515
D719,373	S *	12/2014	Hawry	D6/518
D727,170	S *	4/2015	Lokey	D9/415
D735,488	S *	8/2015	Page	D6/518
2001/0052559	A1 *	12/2001	Inana	B65H 16/06 242/348
2005/0199633	A1	9/2005	Stanley		
2005/0258177	A1	11/2005	Woodson		
2007/0074986	A1 *	4/2007	King	B65D 83/0841 206/397
2008/0073371	A1 *	3/2008	Neiberger	A47K 10/38 221/26
2008/0083757	A1	4/2008	Parker		
2009/0261103	A1	10/2009	Watson		
2009/0302041	A1	12/2009	Wolfson		
2010/0276427	A1	11/2010	Kaberna		
2012/0031791	A1 *	2/2012	Katsurayama	B65D 19/06 206/397
2015/0122936	A1 *	5/2015	Gaumann	B65H 35/002 242/588.3

* cited by examiner

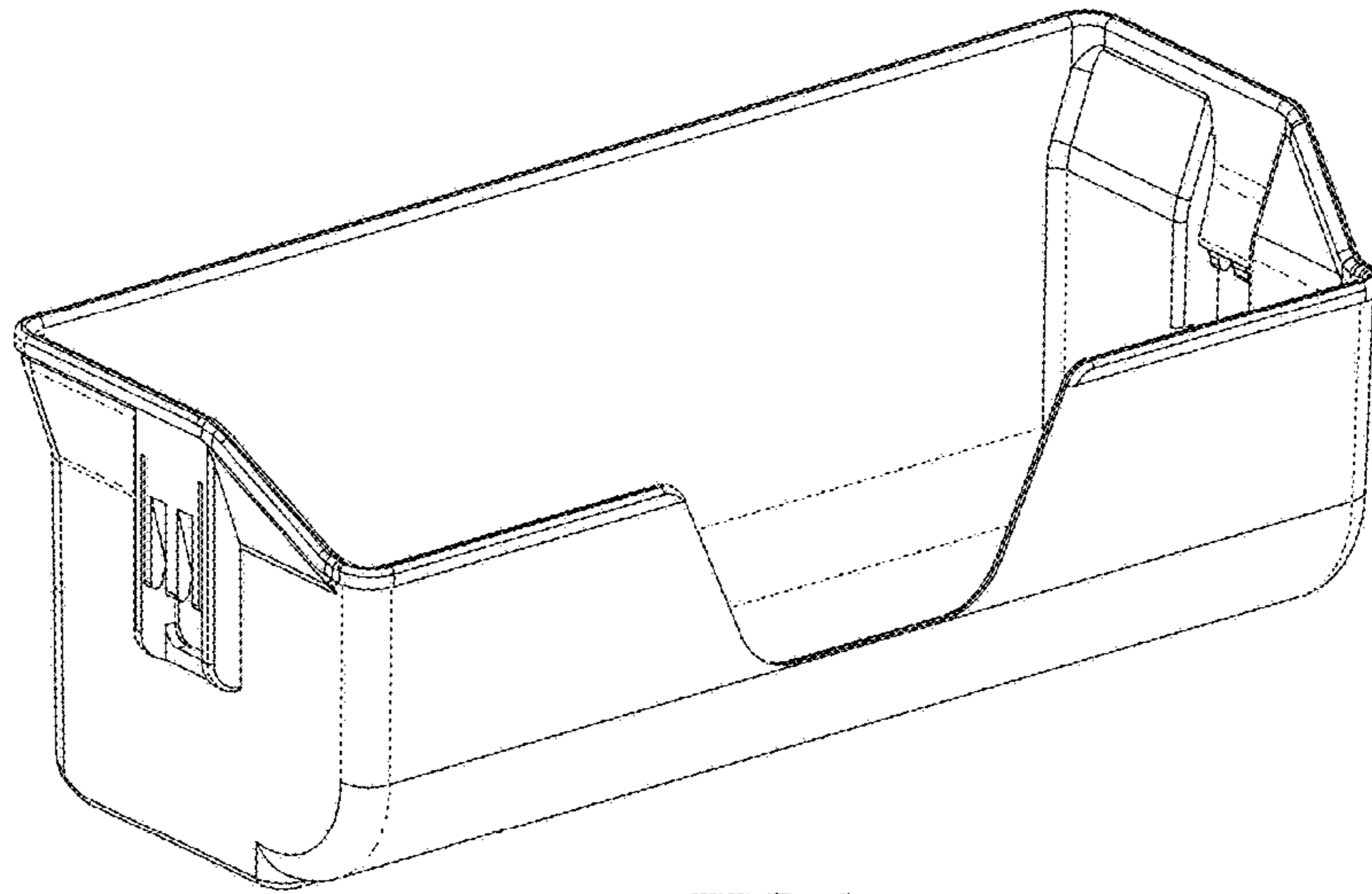


FIG. 1

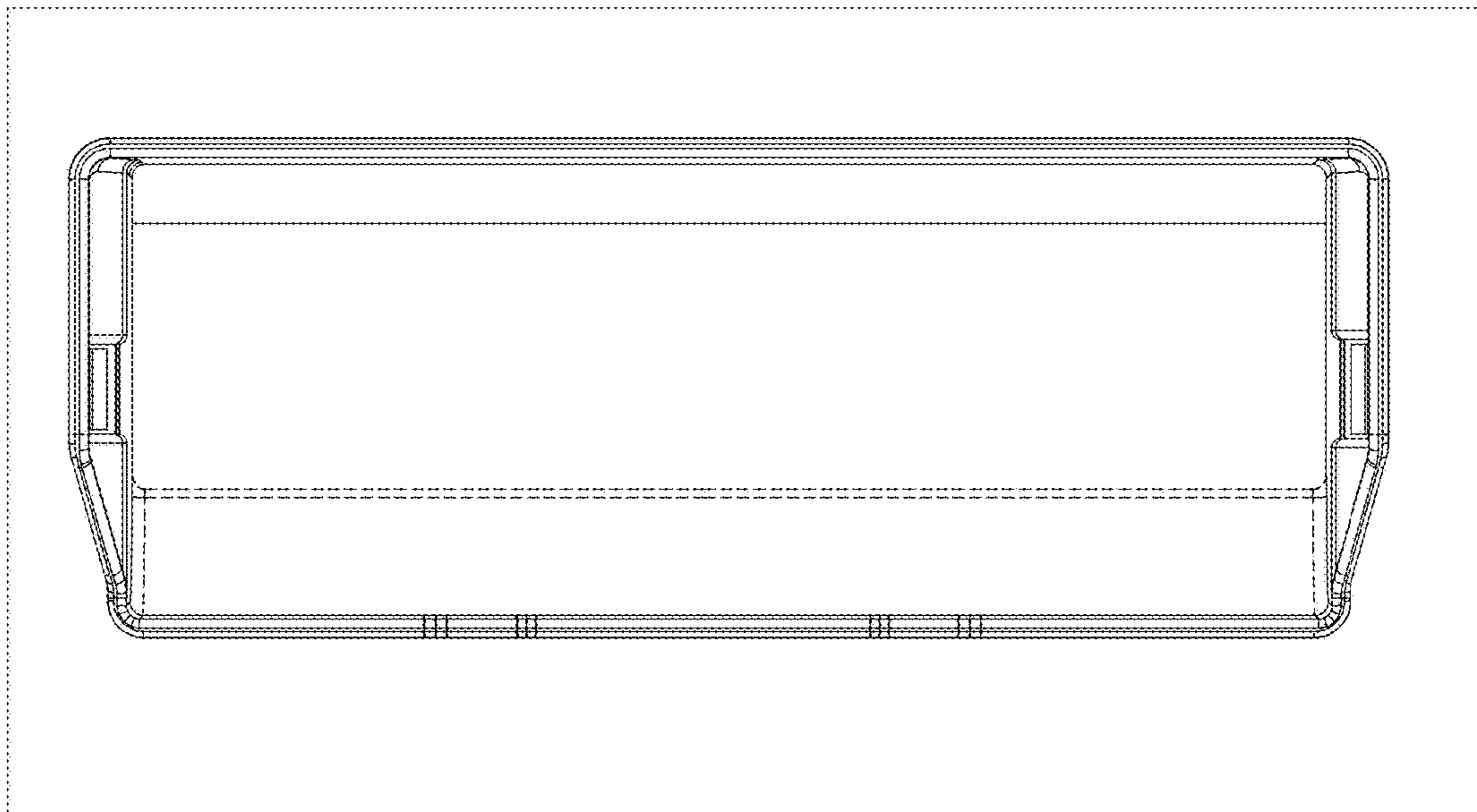


FIG. 2

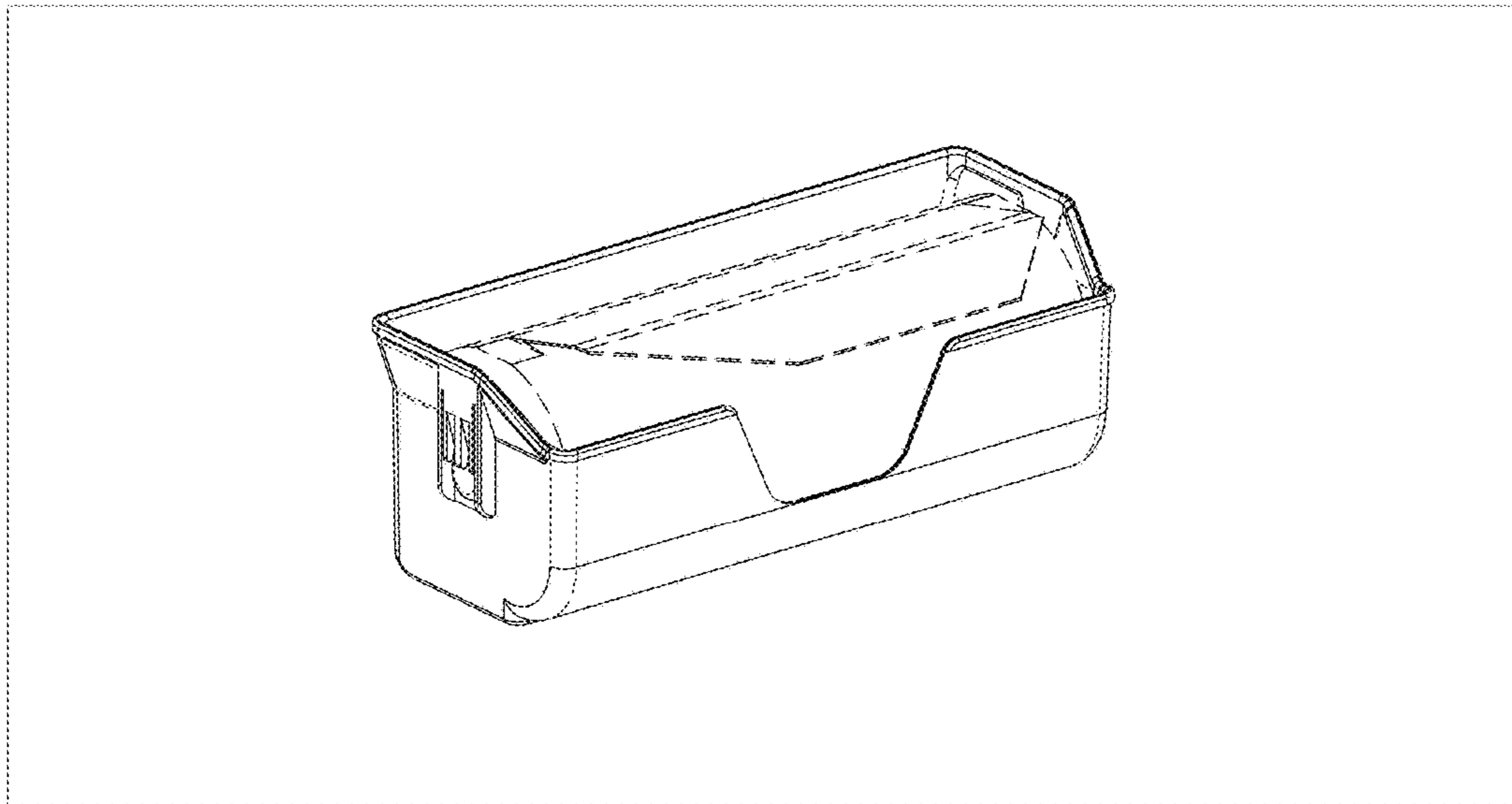


FIG. 3

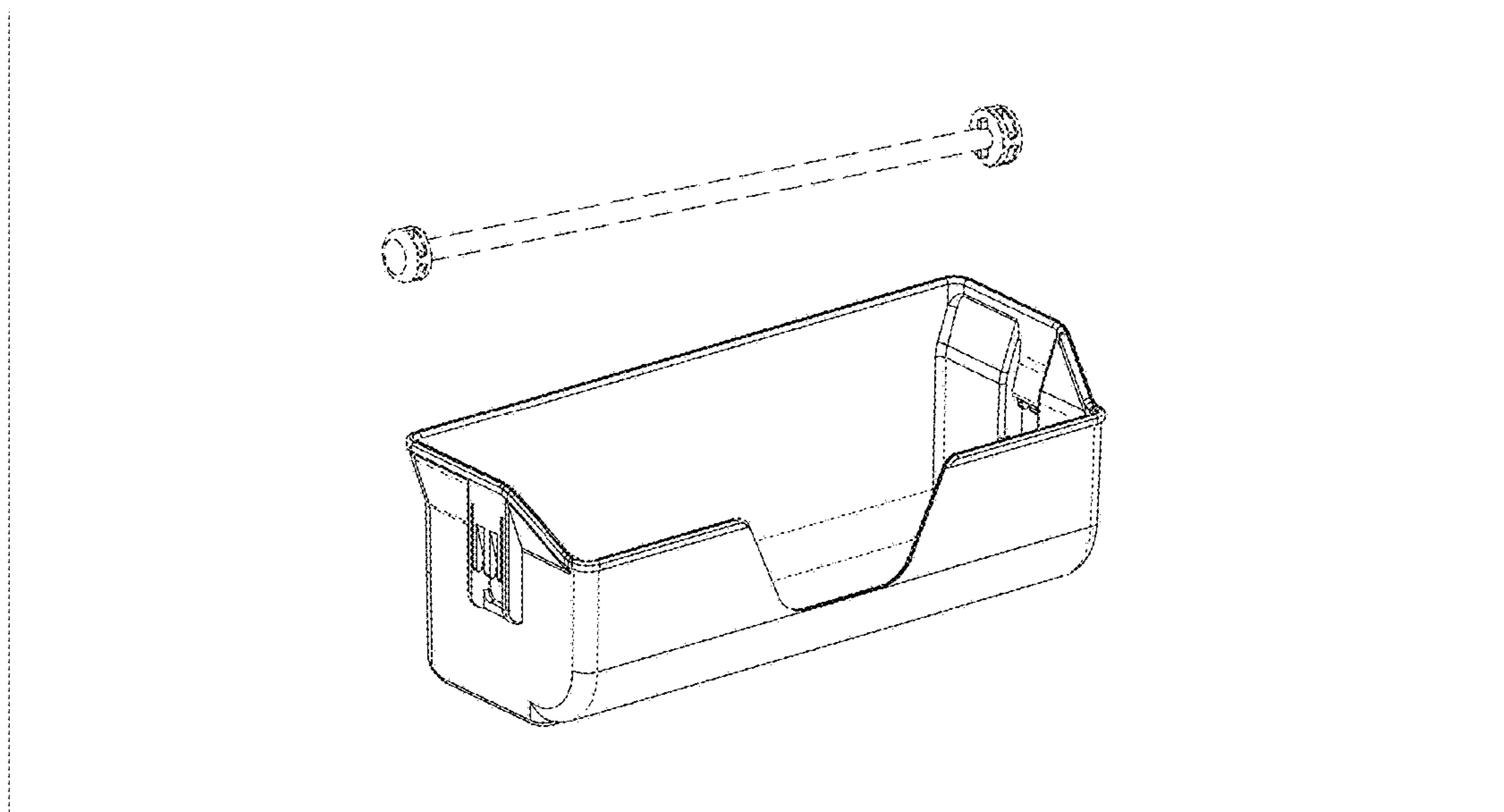


FIG. 4

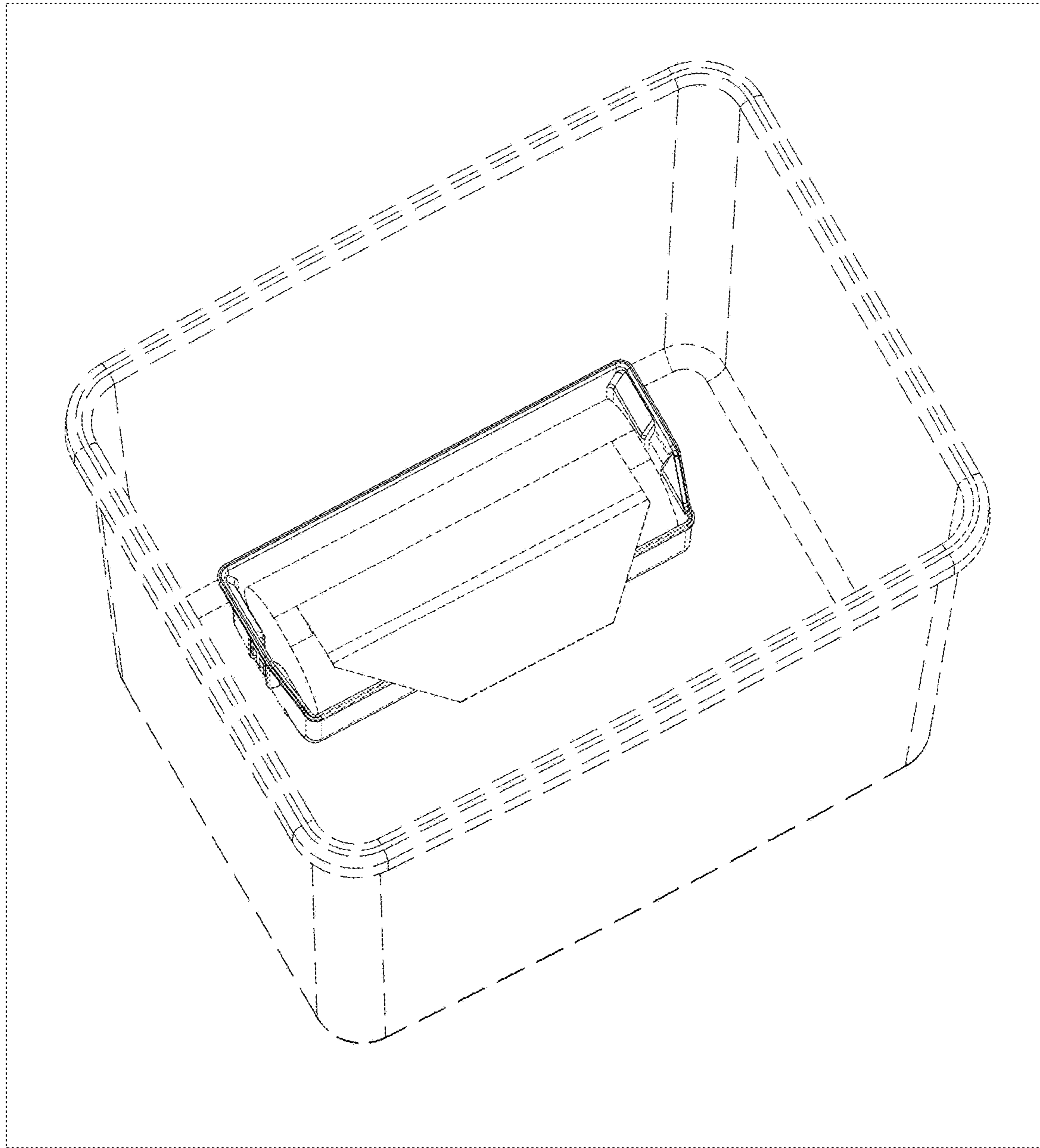


FIG. 5

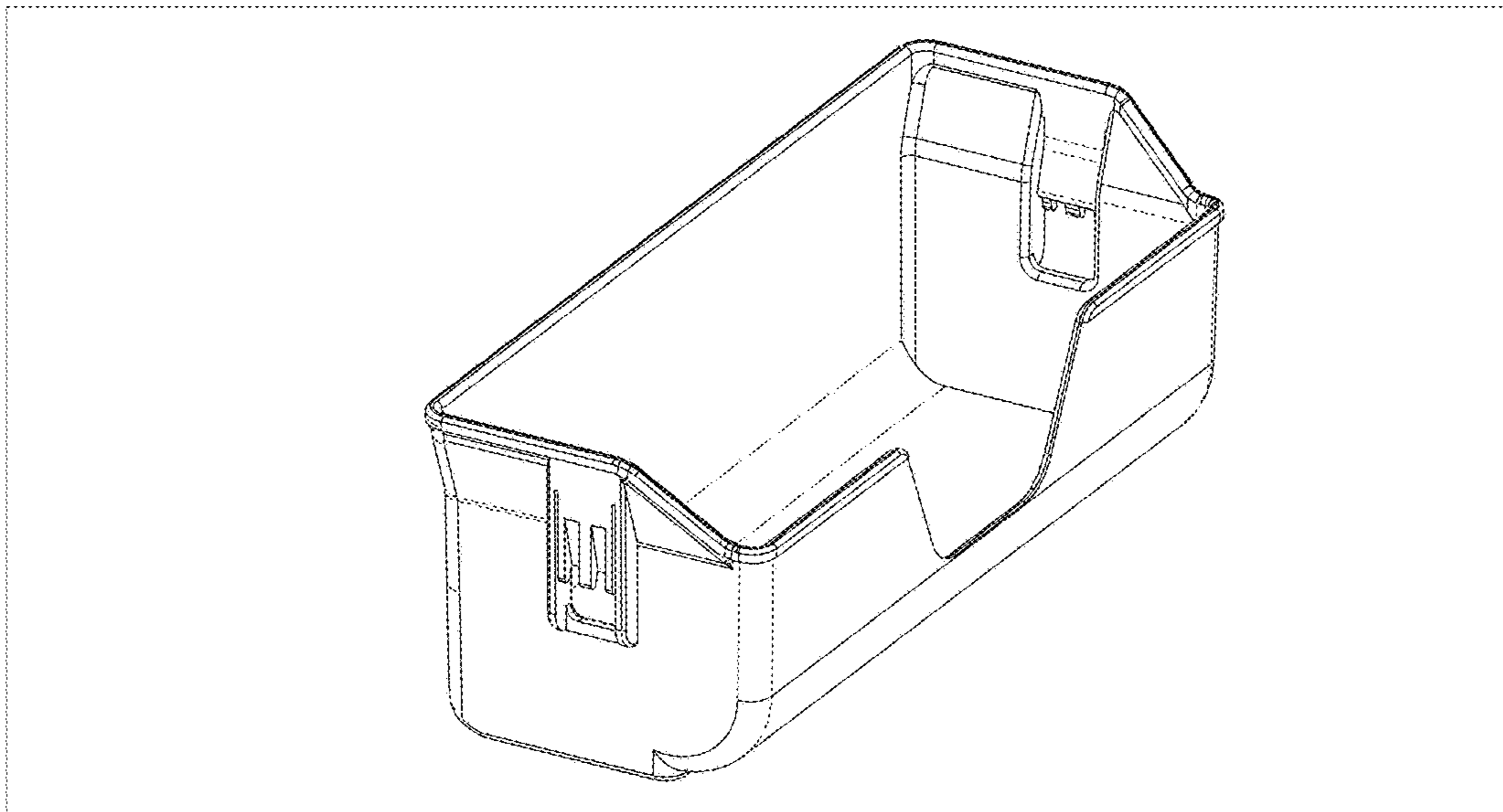


FIG. 6