



US00D806430S

(12) **United States Design Patent**  
**Wightman**

(10) **Patent No.:** **US D806,430 S**

(45) **Date of Patent:** **\*\* Jan. 2, 2018**

(54) **MATTRESS**

(71) Applicant: **SERTA, INC.**, Hoffman Estates, IL  
(US)

(72) Inventor: **Leona Wightman**, Dade City, FL (US)

(73) Assignee: **SERTA, INC.**, Hoffman Estates, IL  
(US)

(\*\*) Term: **15 Years**

(21) Appl. No.: **29/546,594**

(22) Filed: **Nov. 24, 2015**

(51) **LOC (11) Cl.** ..... **06-09**

(52) **U.S. Cl.**  
USPC ..... **D6/506**

(58) **Field of Classification Search**  
USPC ..... D6/582-583, 587-592, 595-613,  
D6/617-622; D21/803-809; D24/183  
CPC ..... A47G 9/00; A47G 2009/001; A47G  
2009/002; A47G 2009/003; A47G  
2009/005; A47G 2009/006; A47G 9/02;  
A47G 9/0207; A47G 9/0215; A47G  
9/0223; A47G 9/023; A47G 9/0238;  
A47G 9/0246; A47G 9/0253; A47G  
9/0261; A47G 9/06; A47G 9/062; A47G  
9/066; A47G 9/068; A47G 9/08; A47G  
2009/0276; A47G 9/0284; A47G 9/0292;  
A47G 9/04; A47G 9/10

See application file for complete search history.

(56) **References Cited**

**U.S. PATENT DOCUMENTS**

1,413,577 A \* 4/1922 Eldredge ..... A47C 27/003  
5/739  
D575,313 S \* 8/2008 Hull ..... D15/141

D670,126 S \* 11/2012 Price ..... D6/605  
D707,983 S \* 7/2014 Hughes ..... D6/605  
D717,079 S \* 11/2014 Bradford ..... D6/605  
D731,819 S \* 6/2015 Wightman ..... D6/605

\* cited by examiner

*Primary Examiner* — Mary Ann Calabrese

*Assistant Examiner* — Jennifer L Rempfer

(74) *Attorney, Agent, or Firm* — Cantor Colburn LLP

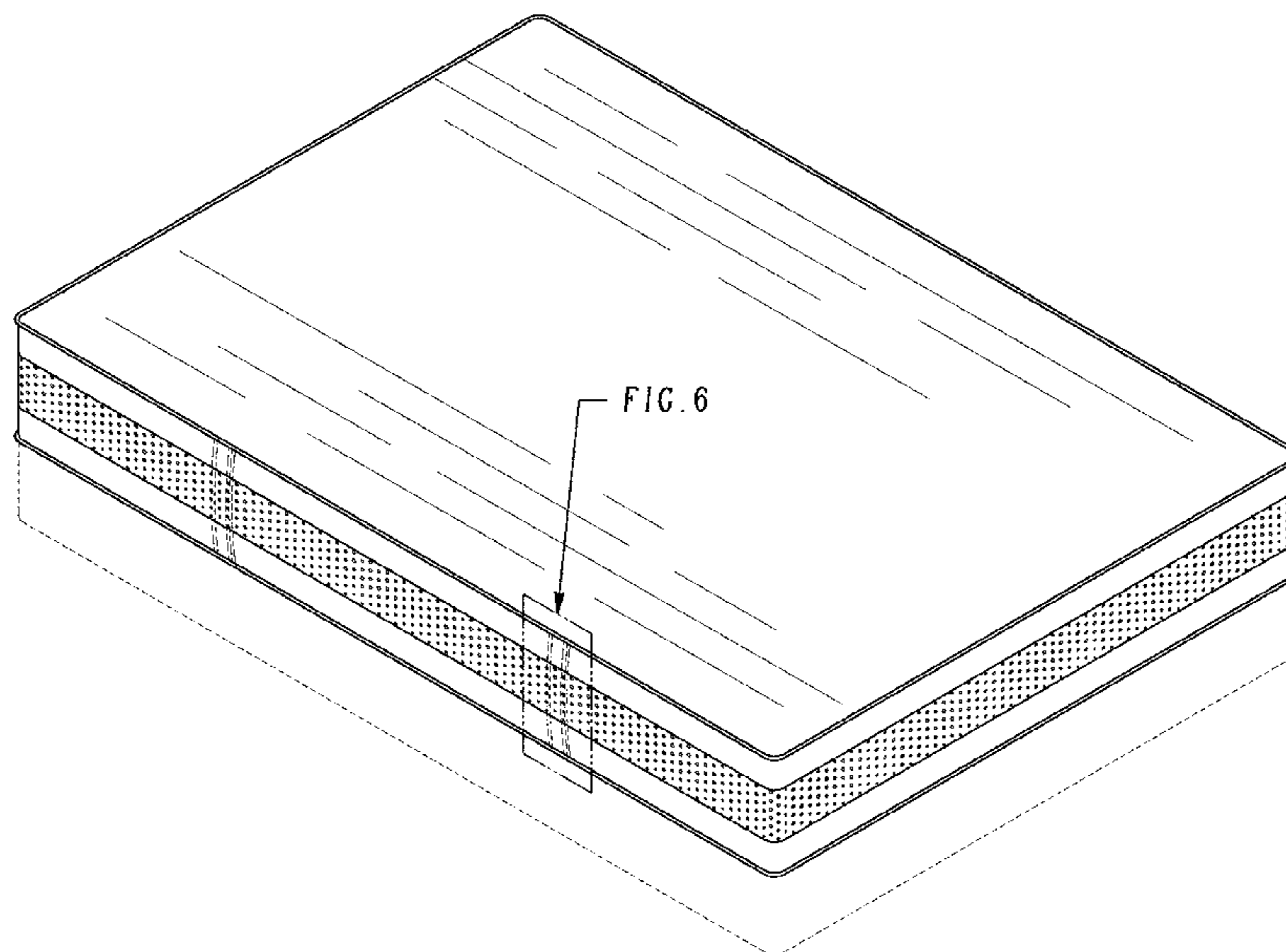
(57) **CLAIM**

I claim the ornamental design for a mattress, as shown and described.

**DESCRIPTION**

FIG. 1 is a left side, top perspective view of a mattress embodying my design;  
FIG. 2 is a top plan view thereof;  
FIG. 3 is a left side view thereof, the right side being a mirror image thereof;  
FIG. 4 is a foot end view thereof, the head end being a mirror image thereof;  
FIG. 5 is a bottom plan view thereof in its intended environment;  
FIG. 6 is an enlarged perspective view taken from FIG. 1 showing a portion of the mattress; and,  
FIG. 7 is an enlarged side view taken from FIG. 3 showing a portion of the mattress.  
The broken line boundaries are environmental and form no part of the claimed design. Accordingly, the broken lines in FIGS. 1, 3, 4, and 5 showing a mattress foundation illustrates the environment and forms no part of the design. The broken lines in FIGS. 6 and 7 showing the boundaries of an enlarged detailed view form no part of the design.

**1 Claim, 5 Drawing Sheets**



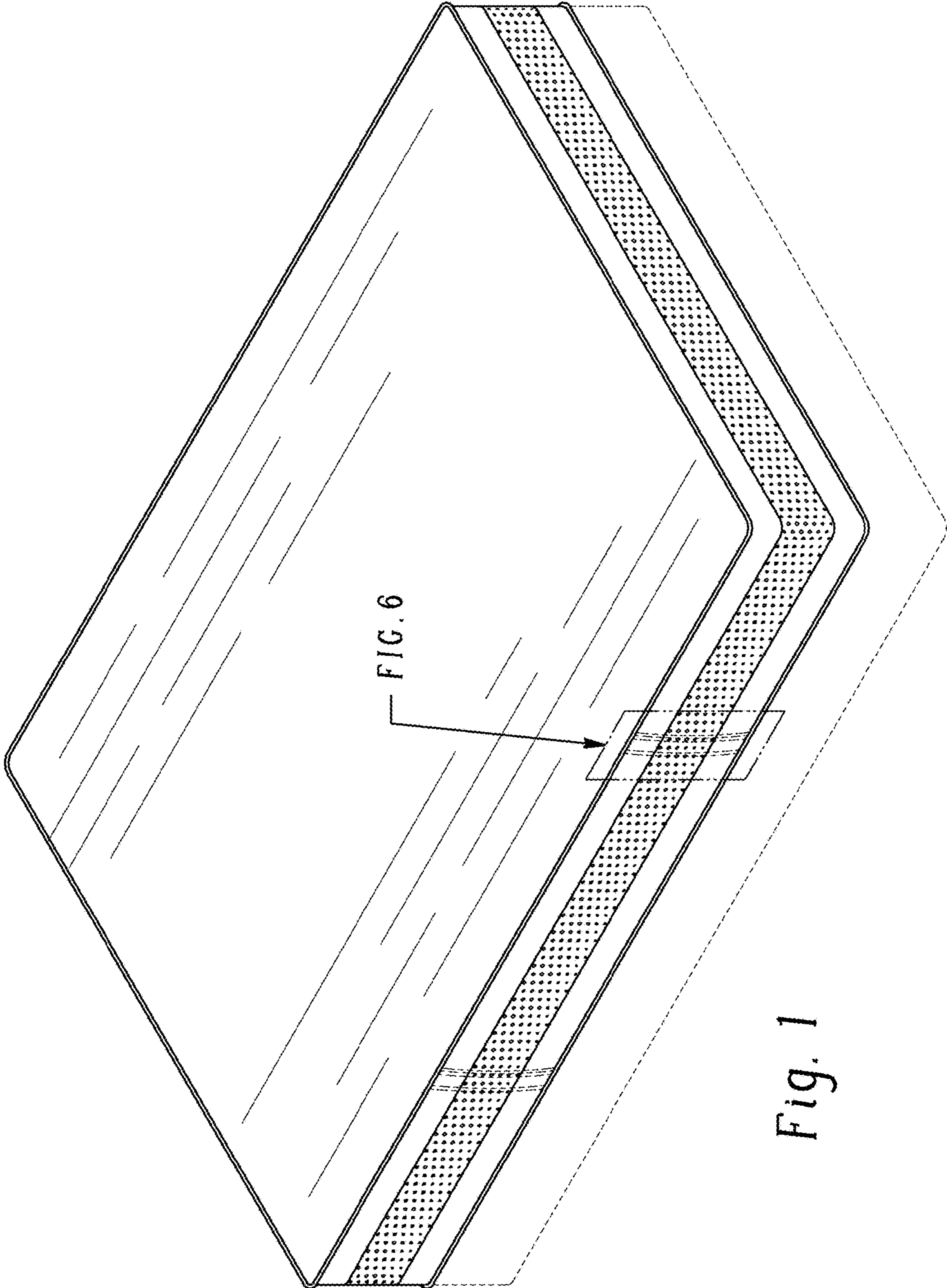
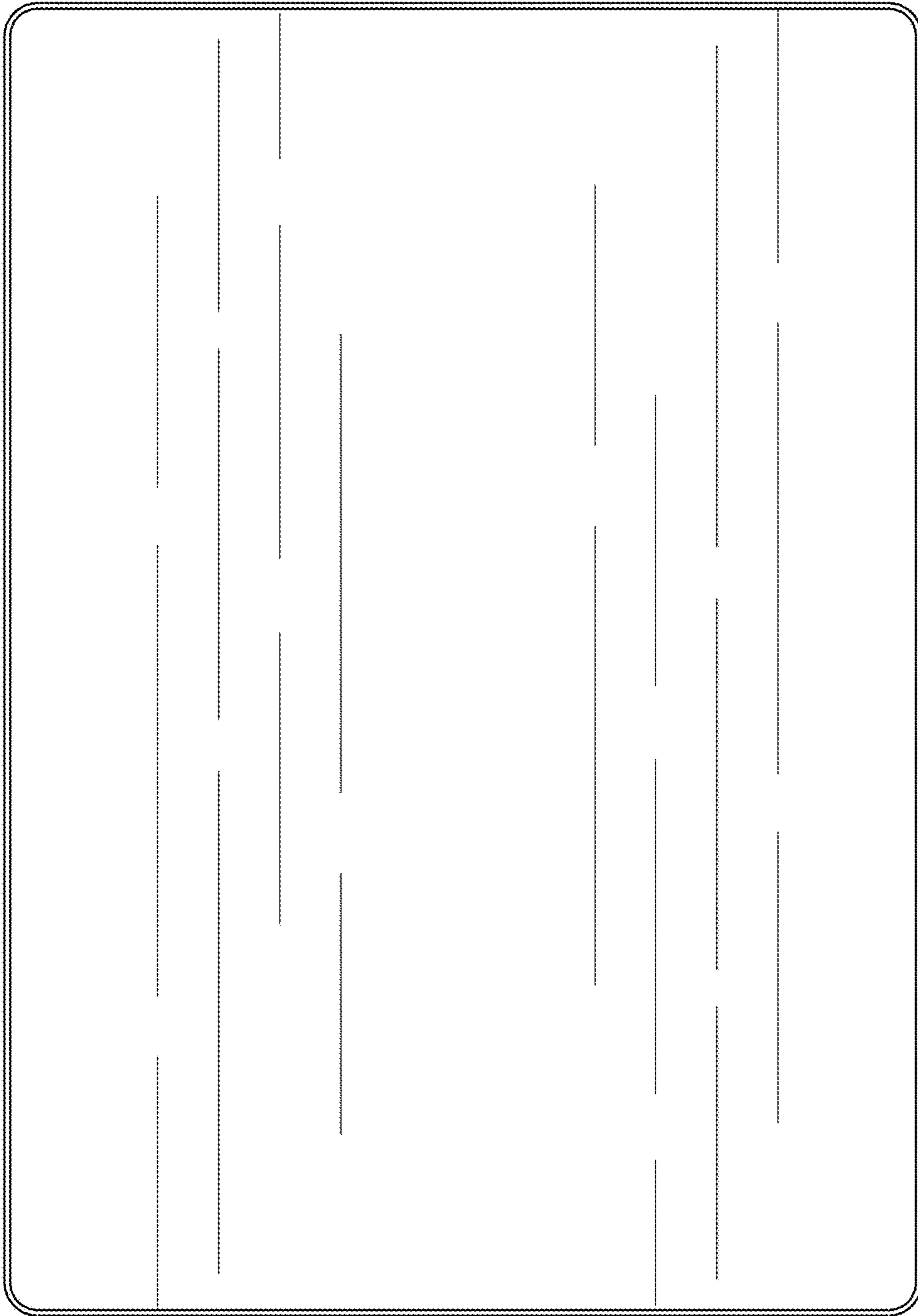


Fig. 1



*Fig. 2*



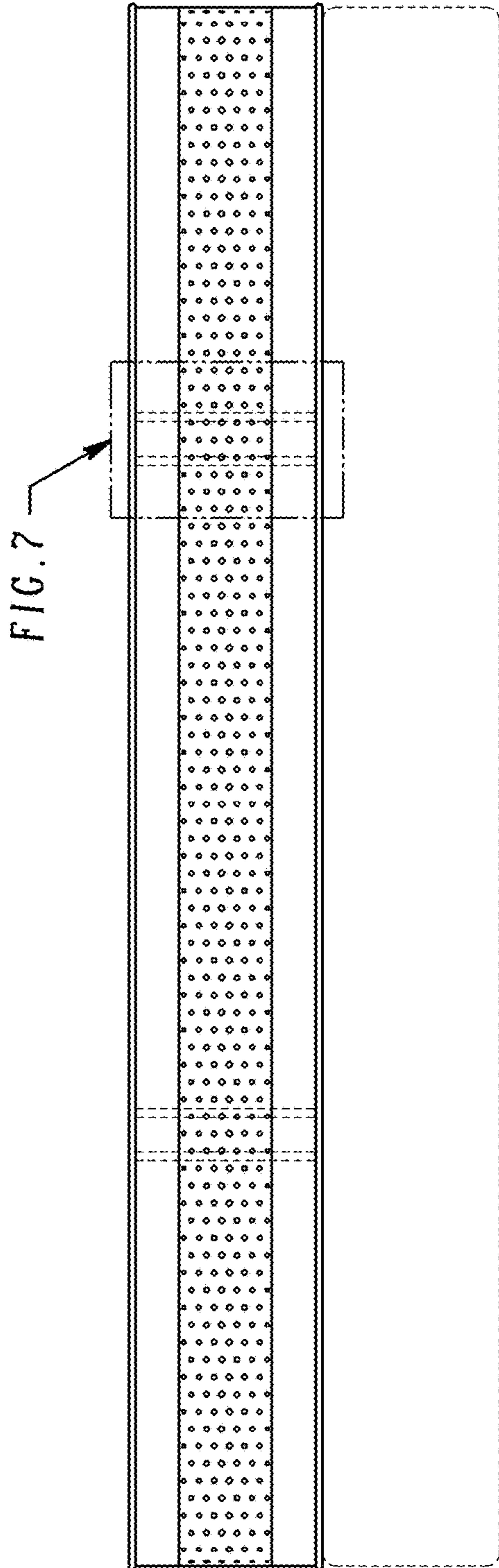


Fig. 3

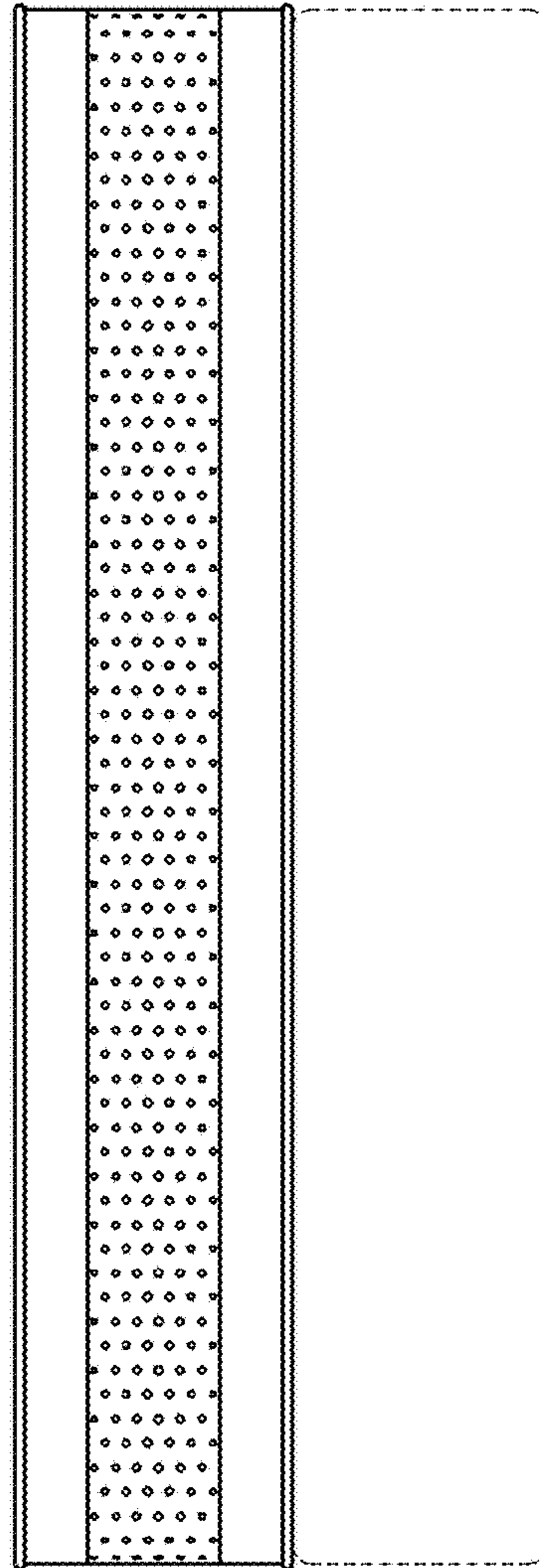
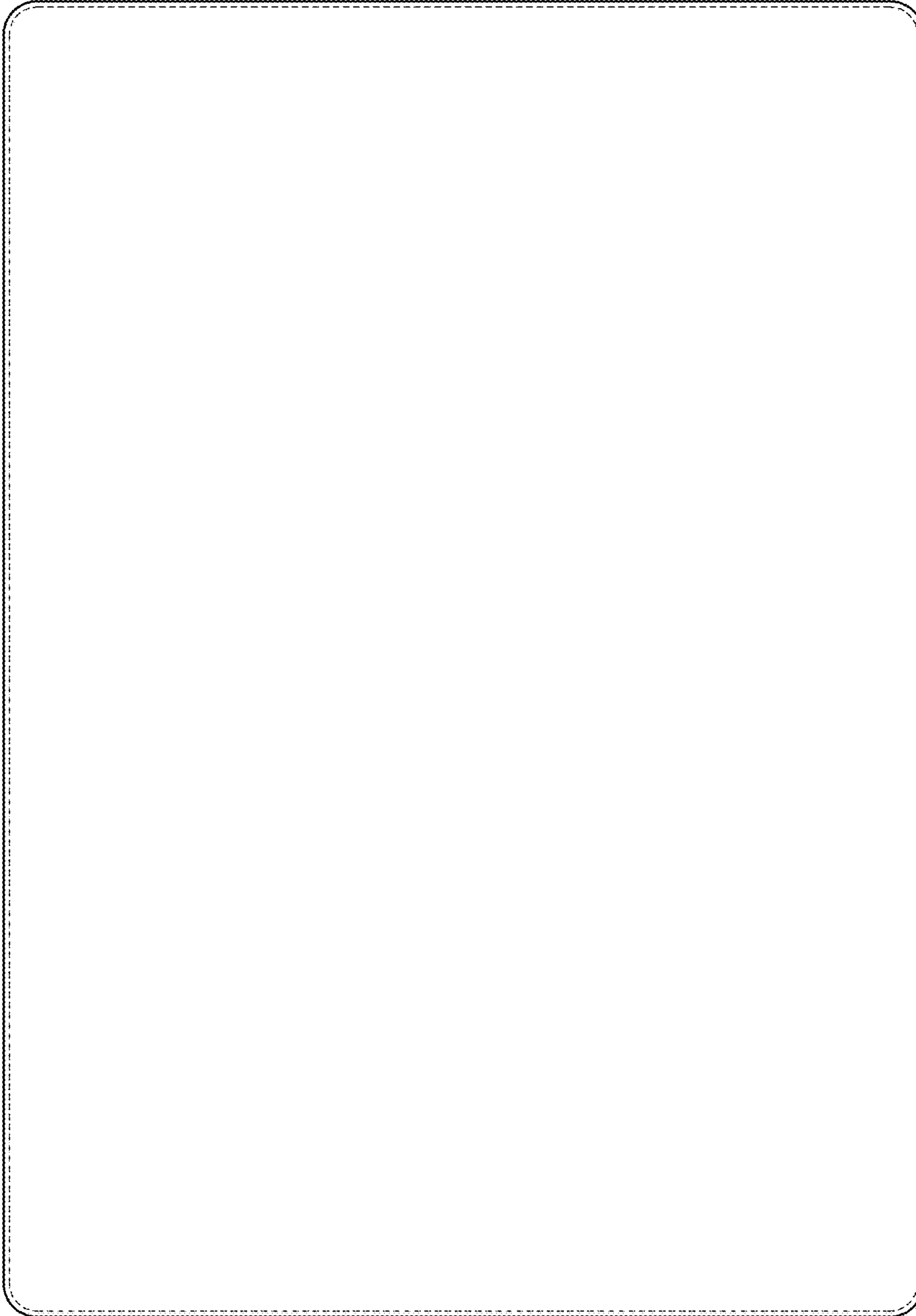


Fig. 4



*Fig. 5*

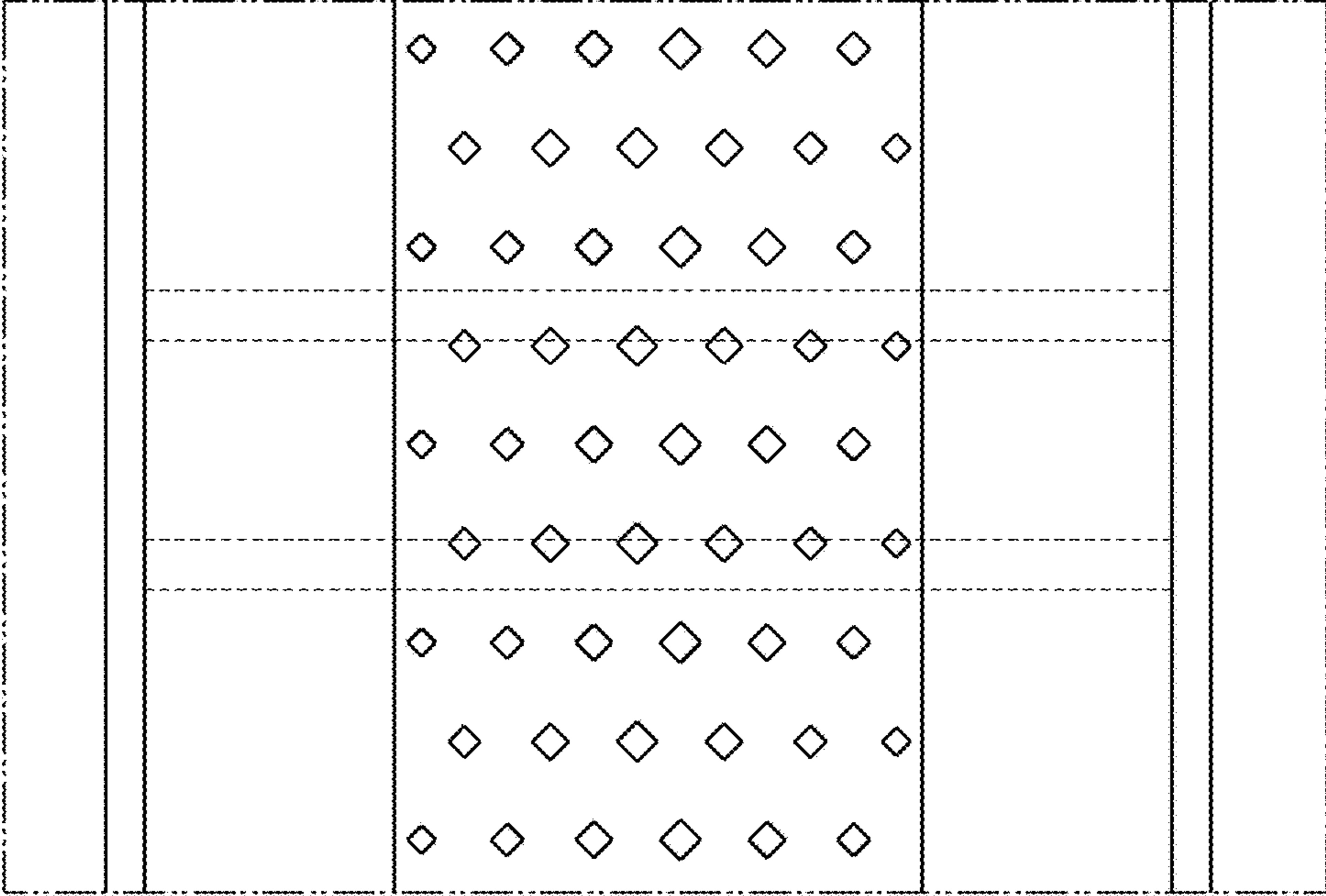


Fig. 7

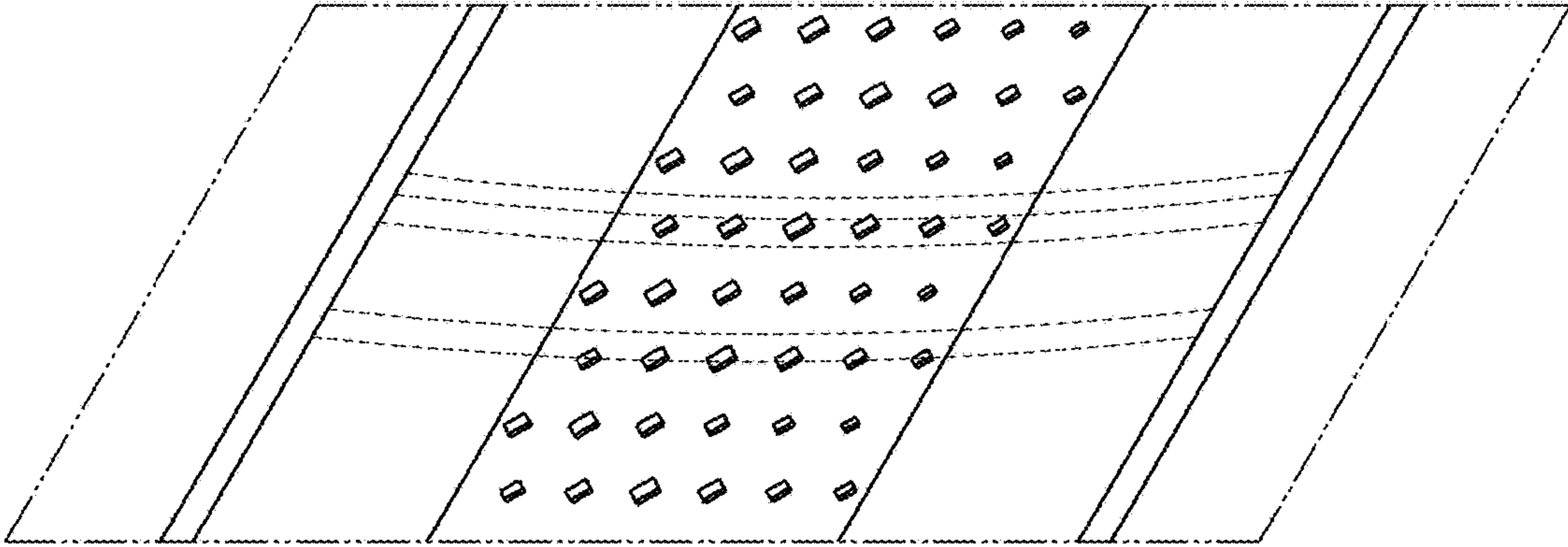


Fig. 6