



US00D806425S

(12) **United States Design Patent**
Wong

(10) **Patent No.:** **US D806,425 S**
(45) **Date of Patent:** **** Jan. 2, 2018**

(54) **MODERN CHAIR**

(71) Applicant: **Ka Hei Wong**, Thompson, CT (US)

(72) Inventor: **Ka Hei Wong**, Thompson, CT (US)

(**) Term: **15 Years**

(21) Appl. No.: **29/620,299**

(22) Filed: **Sep. 28, 2016**

(51) **LOC (11) Cl.** **06-01**

(52) **U.S. Cl.**
USPC **D6/370**

(58) **Field of Classification Search**
USPC D6/333, 334, 336, 344, 345–350, 352,
D6/353, 355, 358, 360–366, 368–371,
D6/373–375, 377–381, 677, 692.3, 708,
D6/708.16, 716, 717; D30/118; D12/52;
D21/521, 534–539, 674, 676, 687, 688,
D21/690, 828
CPC A47C 1/14; A47C 1/16; A47C 1/02; A47C
1/146; A47C 3/00; A47C 3/04; A47C
3/16; A47C 3/18; A47C 3/14; A47C 4/04;
A47C 4/24; A47C 4/54; A47C 4/00;
A47C 5/04; A47C 5/12; A47C 7/18;
A47C 7/62; A47C 7/54; A47C 7/506;
A47C 15/008; A47C 27/086; A47C
31/11; A47D 1/10; B65B 31/04; B60N
2/20; B60N 2/0705; Y10S 135/909; Y10S
297/02; Y10T 403/32409
See application file for complete search history.

(56) **References Cited**

U.S. PATENT DOCUMENTS

3,173,723 A * 3/1965 Hoven A47C 3/18
297/451.1
3,295,590 A * 1/1967 Pearlstine A47C 7/16
160/327
4,390,204 A * 6/1983 Fleishman A47B 3/06
248/165

4,673,216 A * 6/1987 Alfer A47C 7/022
297/423.1
4,674,799 A * 6/1987 Schwartz A47C 5/08
297/448.1
D295,345 S * 4/1988 Hubert D6/368
D295,346 S * 4/1988 Hubert D6/368
D335,968 S * 6/1993 Bengtson D23/304
D339,695 S * 9/1993 Kahl D6/334
5,588,695 A * 12/1996 Gomes A47C 4/022
297/184.16
D382,721 S * 8/1997 Jacobi D6/368
D386,319 S * 11/1997 Meyer D6/368
5,813,721 A * 9/1998 Arcidiacono A47C 4/025
297/16.1
D474,041 S * 5/2003 Howard D6/363
6,910,736 B2 * 6/2005 White A47C 4/02
297/284.1
D611,276 S * 3/2010 Kubryk D6/366
D672,570 S * 12/2012 Rappaport D6/363
D683,170 S * 5/2013 Kubryk D6/366

(Continued)

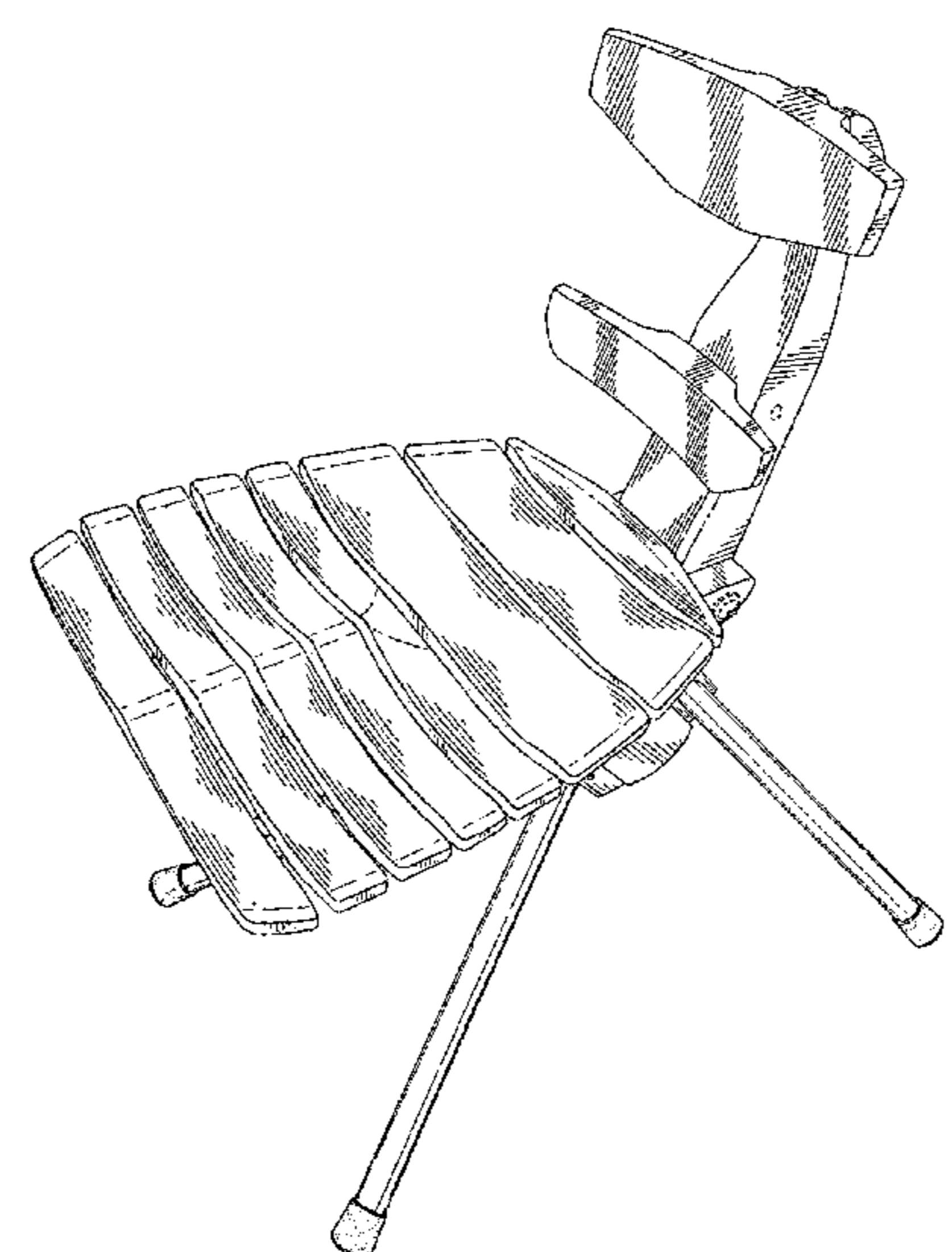
Primary Examiner — Kevin K Rudzinski
Assistant Examiner — Paul D Bohannon
(74) *Attorney, Agent, or Firm* — Robert J Doherty

(57) **CLAIM**
The ornamental design for a modern chair, as shown and described.

DESCRIPTION

FIG. 1 is a front perspective view of a modern chair showing my new design;
FIG. 2 is a left side elevation view of FIG. 1;
FIG. 3 is a right side elevation view of FIG. 1;
FIG. 4 is a top plan view of FIG. 1;
FIG. 5 is a bottom view of FIG. 1;
FIG. 6 is a front elevation view of FIG. 1; and,
FIG. 7 is a rear elevation view of FIG. 1.
The broken lines showing portions of the modern chair illustrate portions of the article that form no part of the claimed design.

1 Claim, 7 Drawing Sheets



(56)

References Cited

U.S. PATENT DOCUMENTS

D684,783	S *	6/2013	Hsiao	D6/366
D700,449	S *	3/2014	Romans	D6/370
D700,787	S *	3/2014	Vanderkamp	D6/370
D712,673	S *	9/2014	Block	D6/368
D733,450	S *	7/2015	Gaston	D6/370
D771,423	S *	11/2016	Kubryk	D6/716
D784,748	S *	4/2017	Tsai	D6/716.4
9,717,341	B1 *	8/2017	Gibson	A47C 7/002
2004/0084951	A1 *	5/2004	Pawlush	A47C 5/12 297/452.63

* cited by examiner

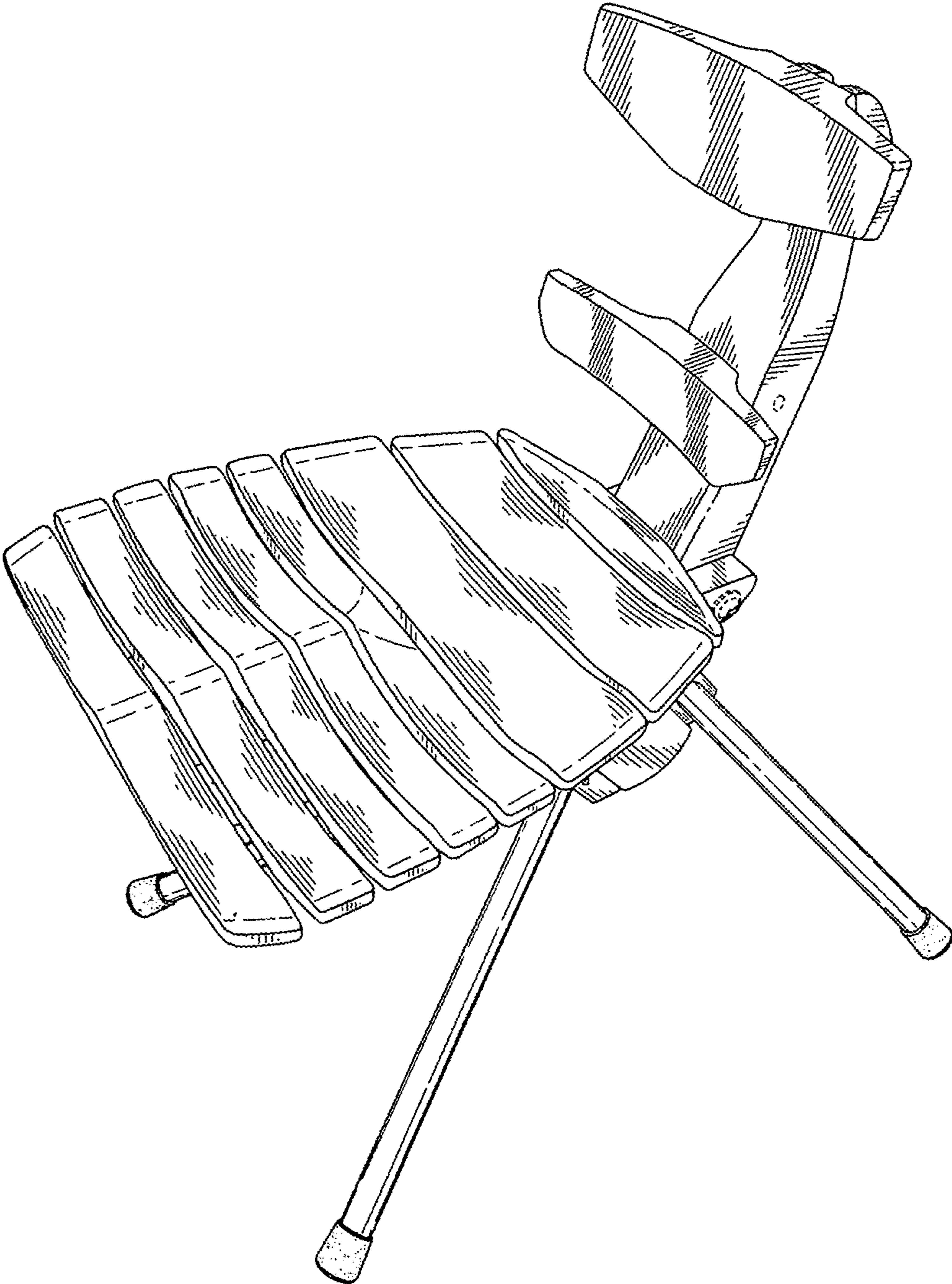


FIG. 1

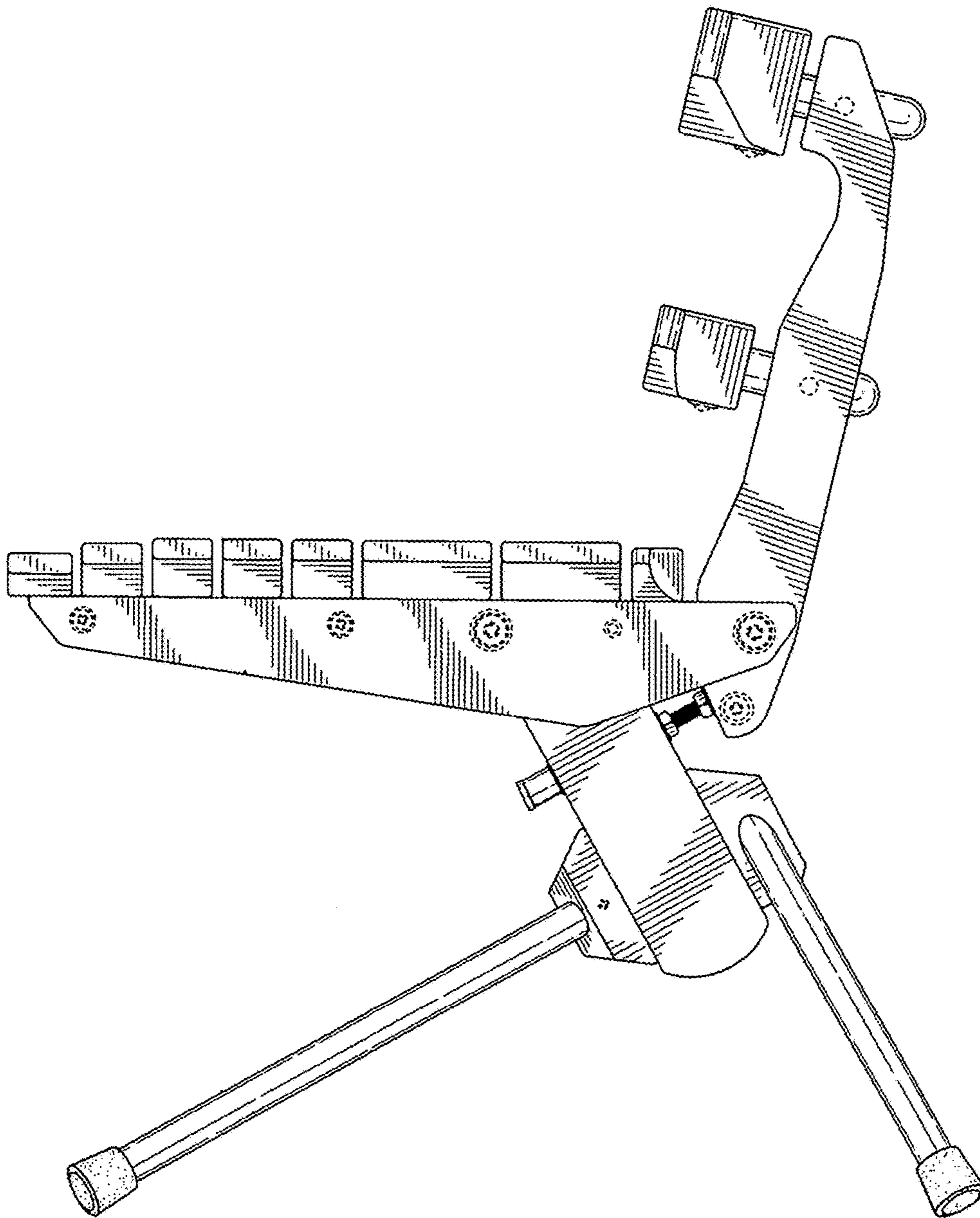


FIG. 2

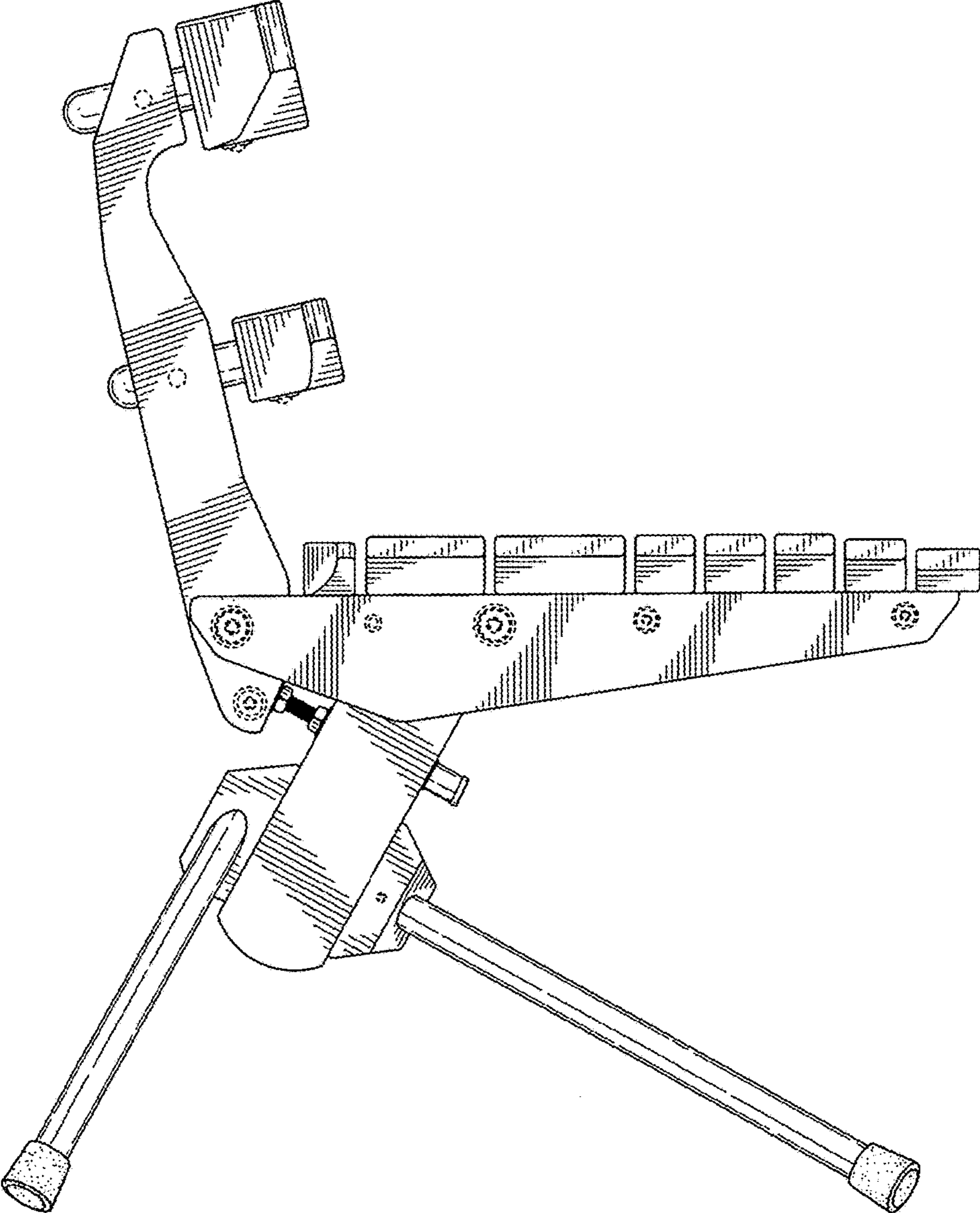


FIG. 3

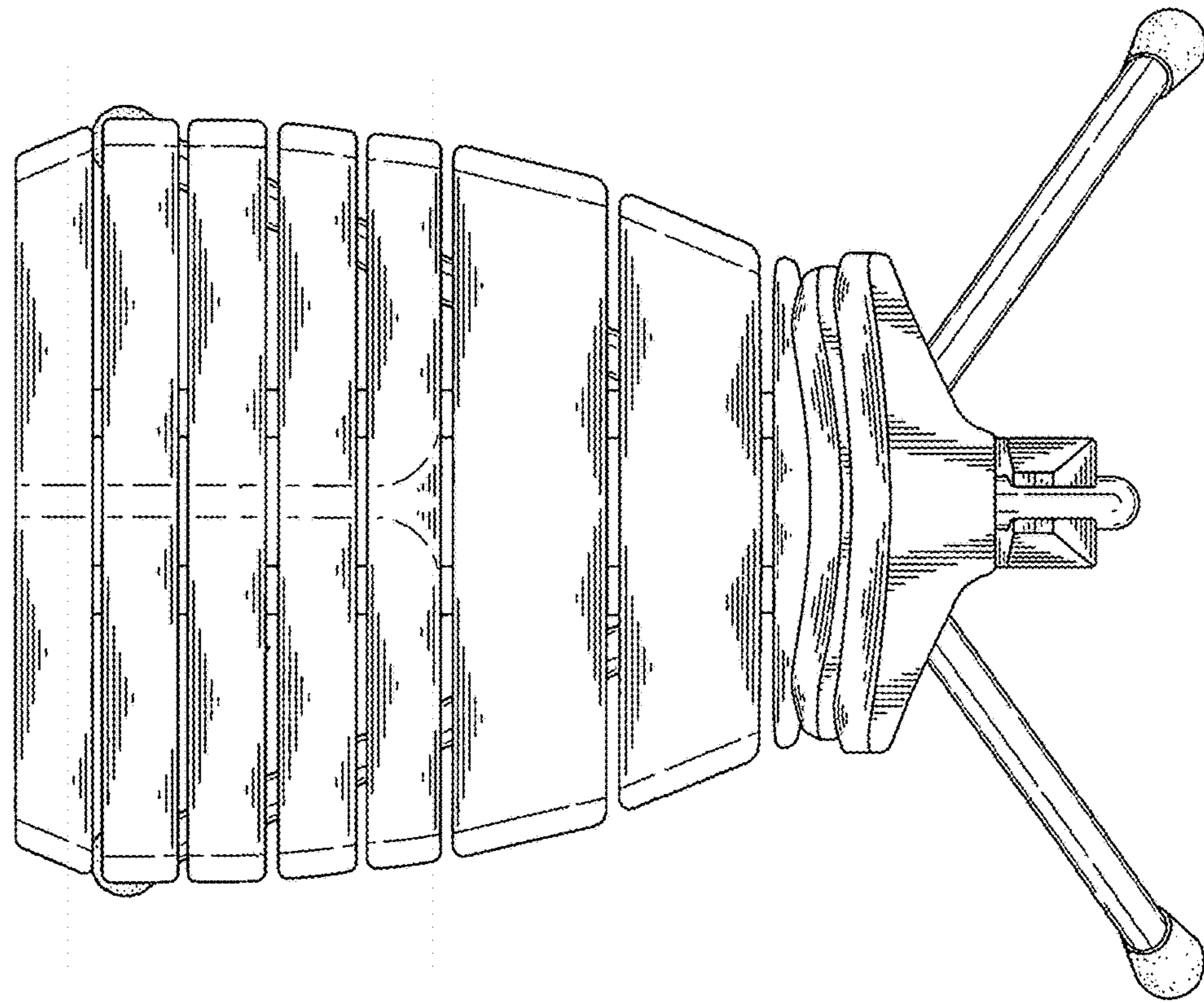


FIG. 4

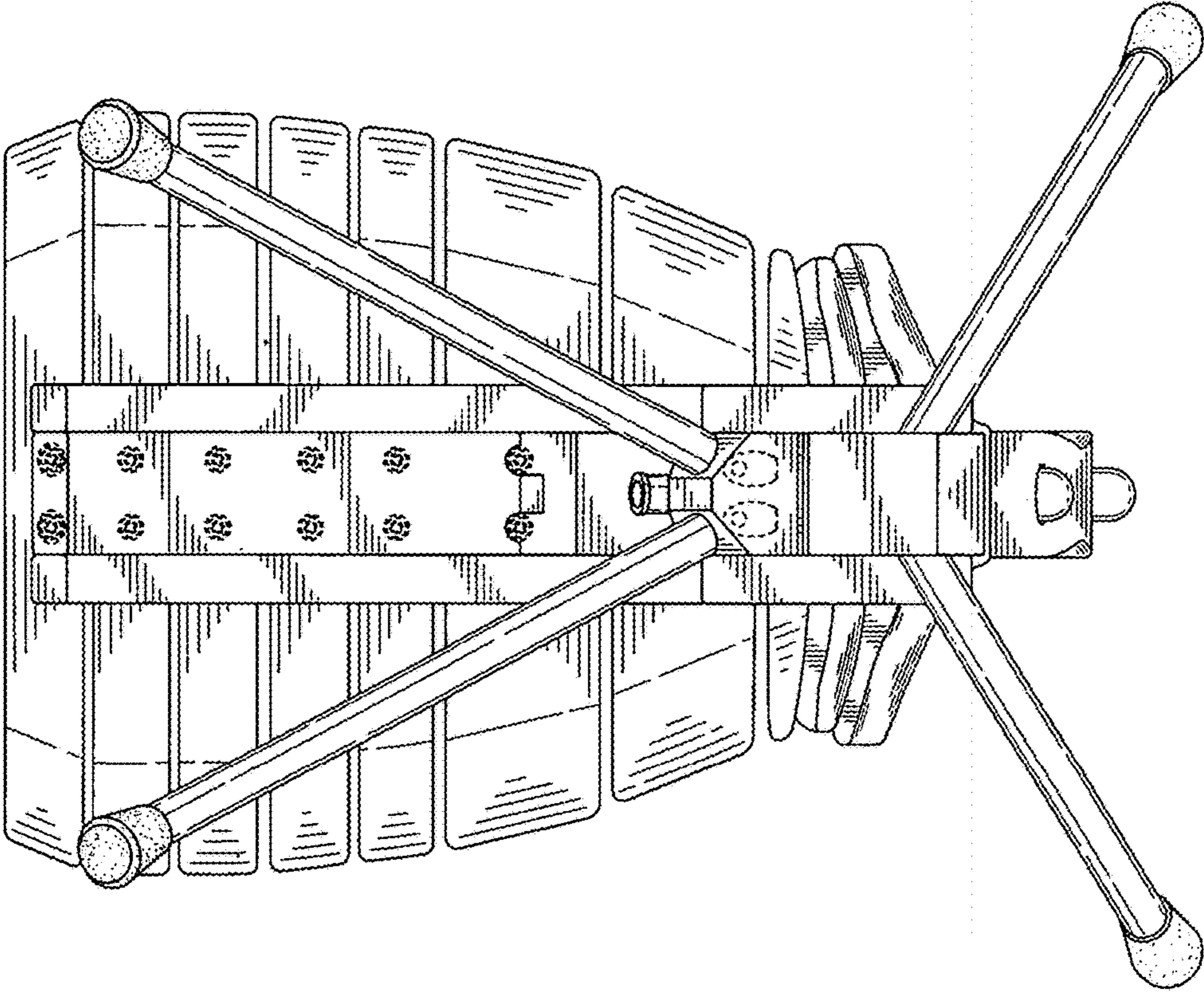


FIG. 5

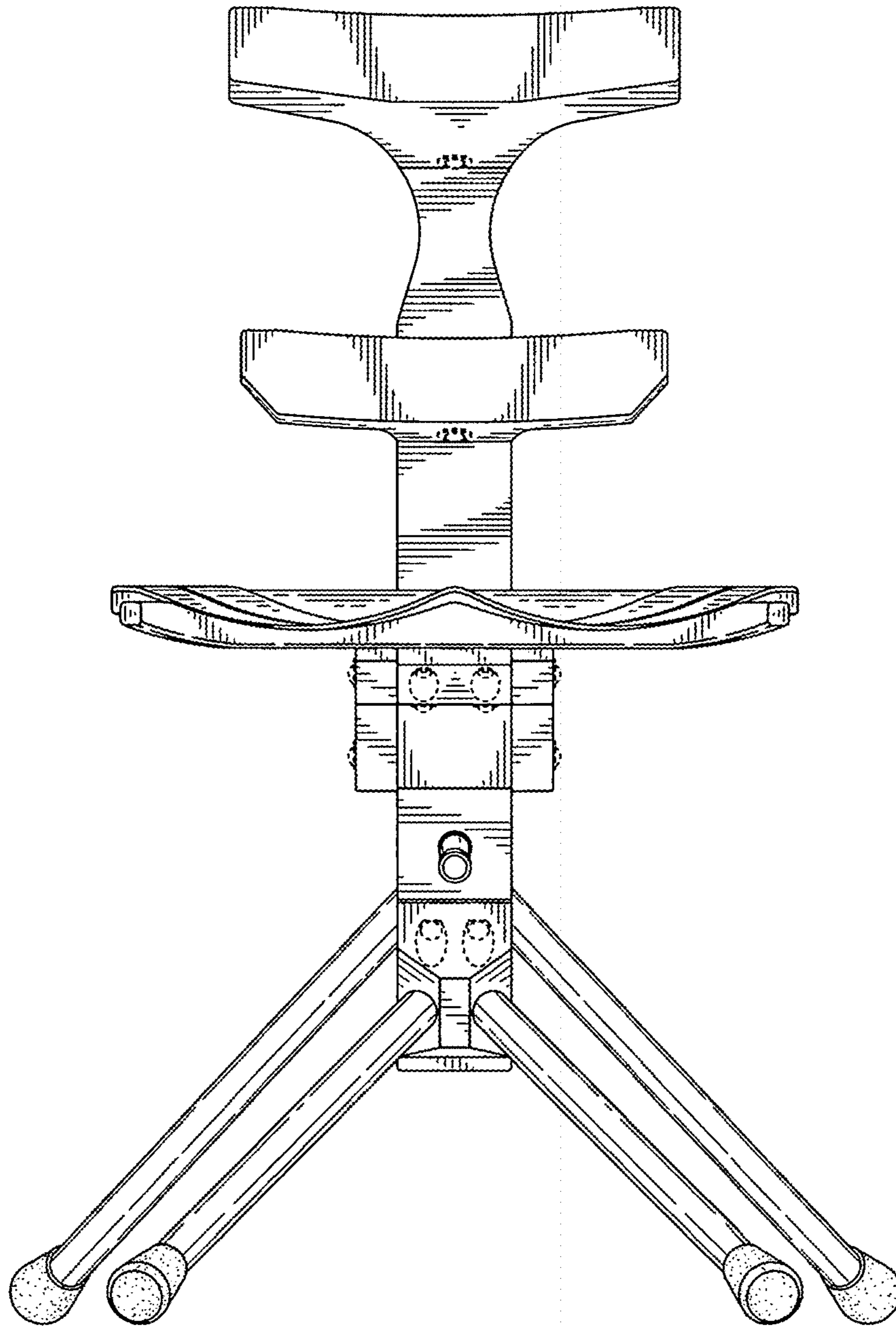


FIG. 6

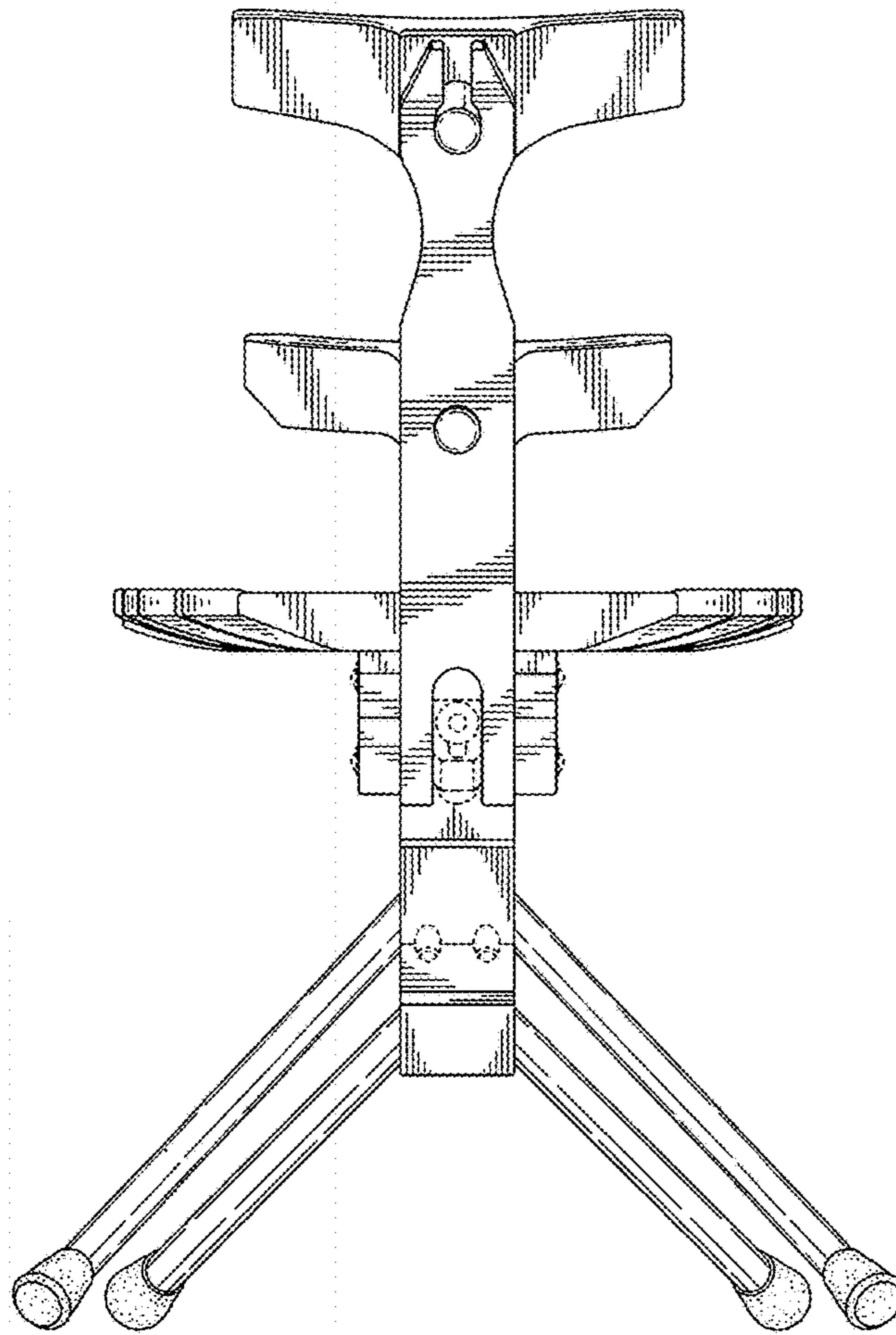


FIG. 7