

US00D806422S

(12) **United States Design Patent**
Contreras

(10) **Patent No.:** **US D806,422 S**
(45) **Date of Patent:** **** Jan. 2, 2018**

(54) **ADJUSTABLE CHAISE LOUNGER WITH HOOD IN MULTIPLE POSITIONS**

DESCRIPTION

(71) Applicant: **Era Nouveau, LLC**, Redondo Beach, CA (US)

(72) Inventor: **John S. Contreras**, Redondo Beach, CA (US)

(73) Assignee: **Era Nouveau, LLC**, Redondo Beach, CA (US)

(**) Term: **15 Years**

(21) Appl. No.: **29/593,259**

(22) Filed: **Feb. 7, 2017**

Related U.S. Application Data

(63) Continuation-in-part of application No. 29/590,954, filed on Jan. 13, 2017, which is a continuation-in-part (Continued)

(51) **LOC (11) Cl.** **06-01**

(52) **U.S. Cl.**
USPC **D6/361**

(58) **Field of Classification Search**
USPC D6/334-336, 361, 367, 374, 375, 377, D6/716, 716.1, 716.2, 716.4 (Continued)

(56) **References Cited**

U.S. PATENT DOCUMENTS

D165,717 S * 1/1952 Maurer D6/361
D166,049 S * 2/1952 Rudin et al. D6/361 (Continued)

Primary Examiner — Mimoso De

(74) *Attorney, Agent, or Firm* — Kwan & Olynick LLP

(57) **CLAIM**

The ornamental design for an adjustable chaise lounge with hood in multiple positions, as shown and described.

FIG. 1 is a perspective view of an adjustable chaise lounge with hood in lay flat position showing front, top, and left sides;

FIG. 2 is a top view thereof;

FIG. 3 is a front view thereof;

FIG. 4 is a right side view thereof;

FIG. 5 is a rear view thereof;

FIG. 6 is a left side view thereof;

FIG. 7 is a perspective view of an adjustable chaise lounge with hood in lay flat position with elevated chaise from the front, top, and left sides;

FIG. 8 is a top view thereof;

FIG. 9 is a front view thereof;

FIG. 10 is a right side view thereof;

FIG. 11 is a rear view thereof;

FIG. 12 is a left side view thereof;

FIG. 13 is a perspective view of an adjustable chaise lounge with hood in zero gravity position from the front, top, and left sides;

FIG. 14 is a top view thereof;

FIG. 15 is a front view thereof;

FIG. 16 is a right side view thereof;

FIG. 17 is a rear view thereof;

FIG. 18 is a left side view thereof;

FIG. 19 is a perspective view of an adjustable chaise lounge with hood in zero gravity position with elevated chaise from the front, top, and left sides;

FIG. 20 is a top view thereof;

FIG. 21 is a front view thereof;

FIG. 22 is a right side view thereof;

FIG. 23 is a rear view thereof;

FIG. 24 is a left side view thereof;

FIG. 25 is a perspective view of an adjustable chaise lounge with hood in seated position from the front, top, and left sides;

FIG. 26 is a top view thereof;

FIG. 27 is a front view thereof;

FIG. 28 is a right side view thereof;

FIG. 29 is a rear view thereof;

FIG. 30 is a left side view thereof;

(Continued)

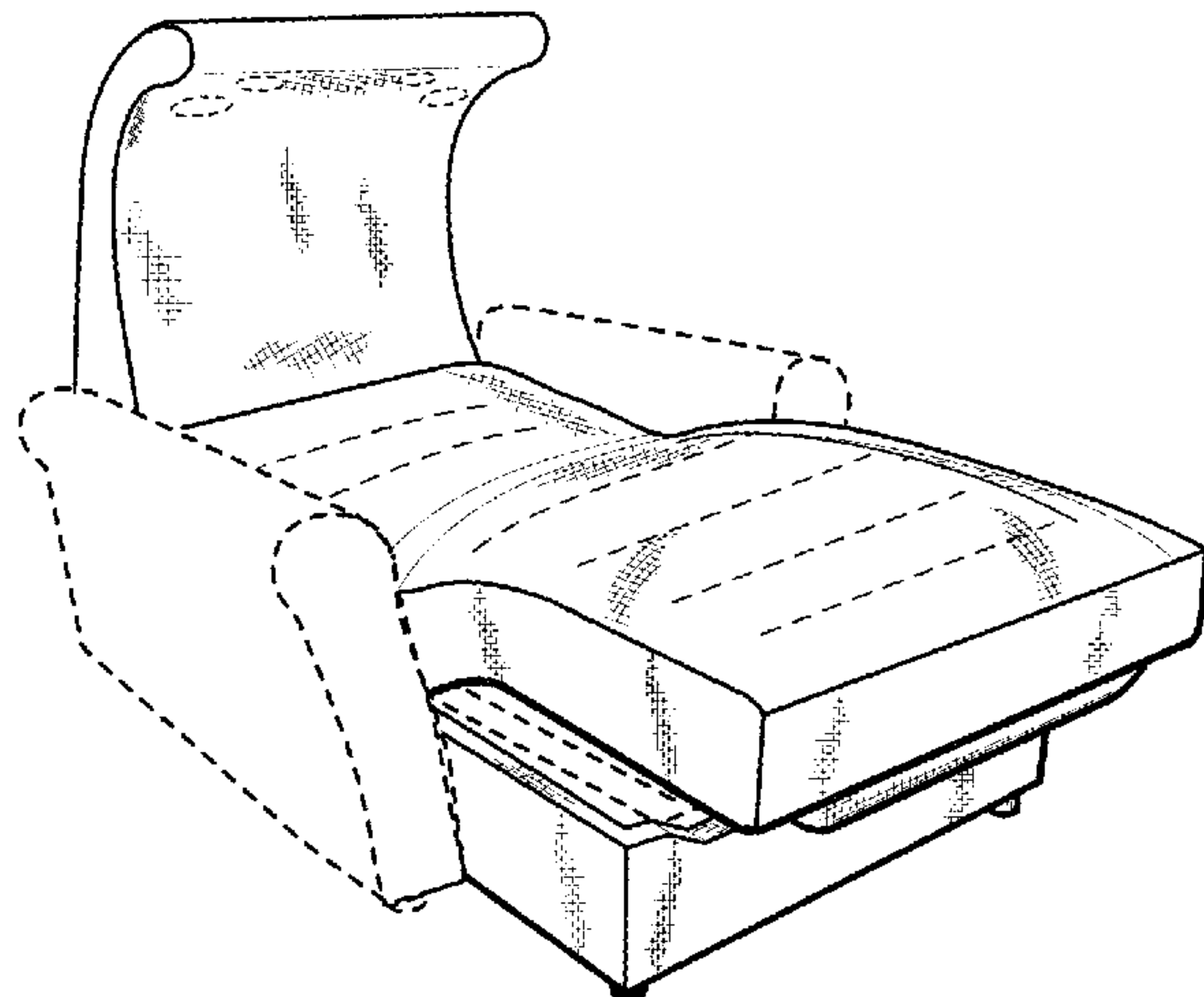
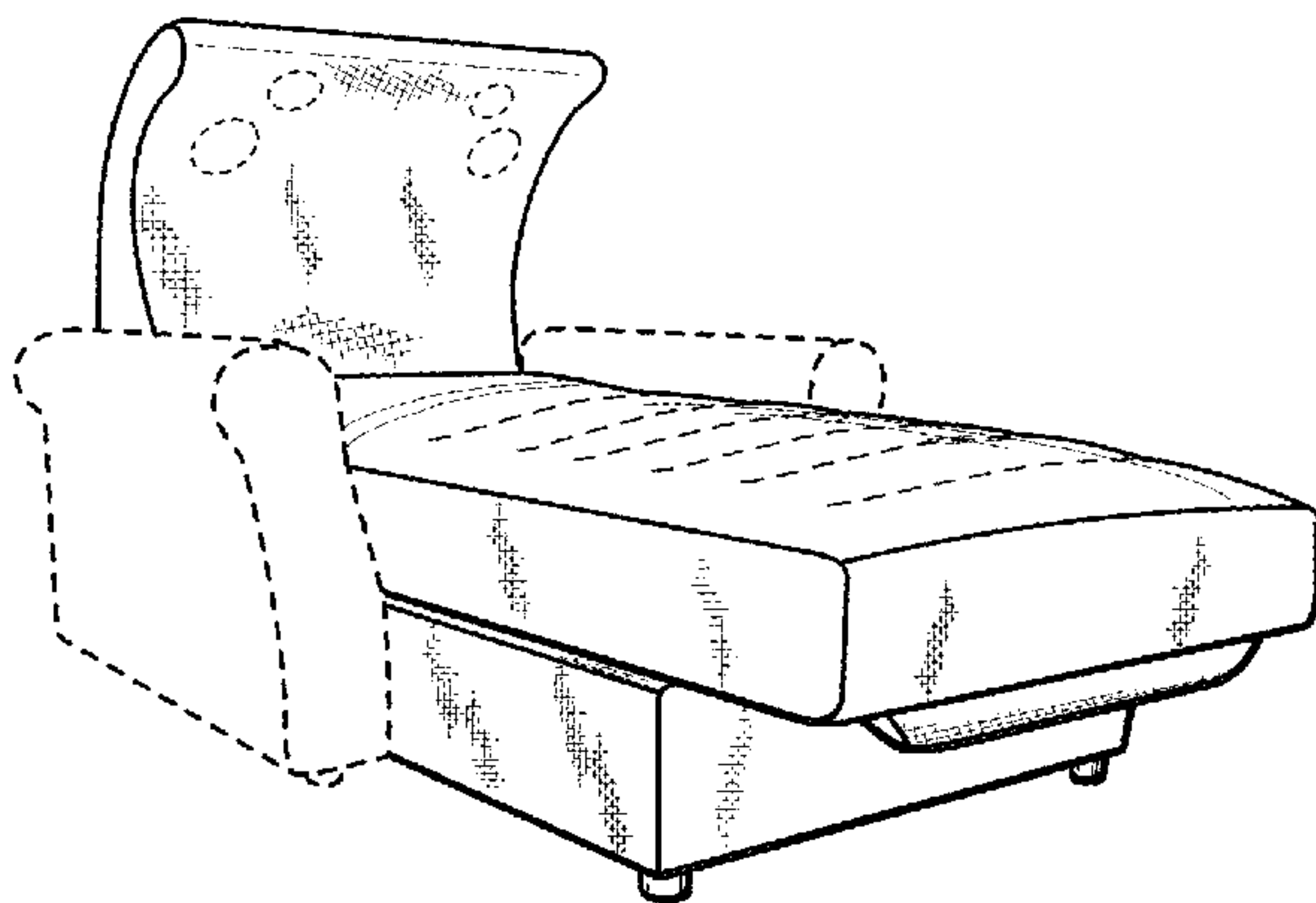


FIG. 31 is a perspective view of an adjustable chaise lounge with hood in seated position with elevated chaise from the front, top, and left sides;

FIG. 32 is a top view thereof;

FIG. 33 is a front view thereof;

FIG. 34 is a right side view thereof;

FIG. 35 is a rear view thereof; and,

FIG. 36 is a left side view thereof.

The broken lines shown in the drawing are for the purpose of illustrating environmental structure and form no part of the claimed design.

1 Claim, 12 Drawing Sheets

Related U.S. Application Data

of application No. 29/522,663, filed on Apr. 1, 2015, now Pat. No. Des. 776,444, and a continuation-in-part of application No. 29/522,665, filed on Apr. 1, 2015, now Pat. No. Des. 776,445, application No. 29/593,259, which is a continuation-in-part of application No. 29/590,955, filed on Jan. 13, 2017, which is a continuation of application No. 29/538,059, filed on Aug. 31, 2015, now Pat. No. Des. 776,950, application No. 29/593,259, which is a continuation-in-part of application No. 29/566,831, filed on Jun. 2, 2016, and a continuation-in-part of application No. 29/566,830, filed on Jun. 2, 2016, and a continuation-in-part of application No. 29/590,953, filed on Jan. 13, 2017.

(58) **Field of Classification Search**

CPC .. A47C 7/50; A47C 7/506; A47C 7/18; A47C 7/24; A47C 7/022; A47C 7/66; A47C 1/143

See application file for complete search history.

(56) **References Cited**

U.S. PATENT DOCUMENTS

D166,398	S	*	4/1952	Laskowitz	D6/361
D166,585	S	*	4/1952	Bell	D6/361
D166,983	S	*	6/1952	Laskowitz	D6/361
D167,761	S	*	9/1952	Luckhart	D6/361
D172,378	S	*	6/1954	Bell	D6/361
D175,624	S	*	9/1955	Laskowitz	D6/361
D182,842	S	*	5/1958	Lubberts et al.	D6/361
D186,813	S	*	12/1959	Maurer	D6/361
D188,785	S	*	9/1960	Maurer	D6/361
D188,786	S	*	9/1960	Maurer	D6/361
D190,281	S	*	5/1961	Sher	D6/361
D202,887	S	*	11/1965	Melchior	D6/361
D225,289	S	*	12/1972	Perno	D6/361
D269,482	S	*	6/1983	Ungaro	D6/361
D308,768	S	*	6/1990	Ferro	D6/361
D313,129	S	*	12/1990	Ferro	D6/361
D387,572	S	*	12/1997	Lewis	D6/361
D400,364	S	*	11/1998	Hutton	D6/361
D434,237	S	*	11/2000	Binder	D6/361
D594,241	S	*	6/2009	Bergmann	D6/361
D653,869	S	*	2/2012	Messenger	D6/361
D653,870	S	*	2/2012	Messenger	D6/361
D703,965	S	*	5/2014	Kielbon	D6/361
D707,054	S	*	6/2014	Beucler	D6/361
D776,443	S	*	1/2017	Contreras	D6/361
D776,444	S	*	1/2017	Contreras	D6/361
D776,445	S	*	1/2017	Contreras	D6/361
D776,950	S	*	1/2017	Contreras	D6/361

* cited by examiner

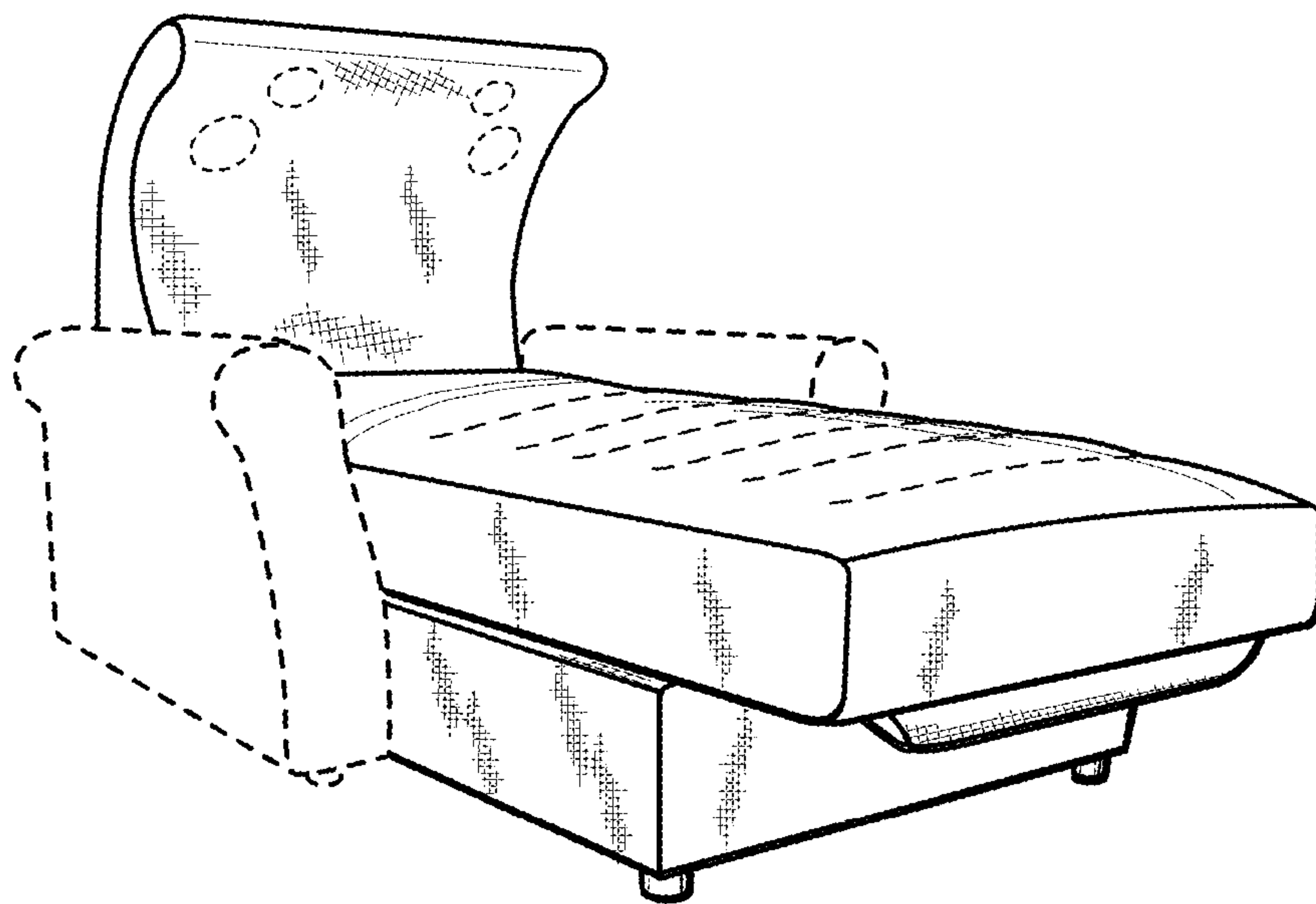


FIG. 1

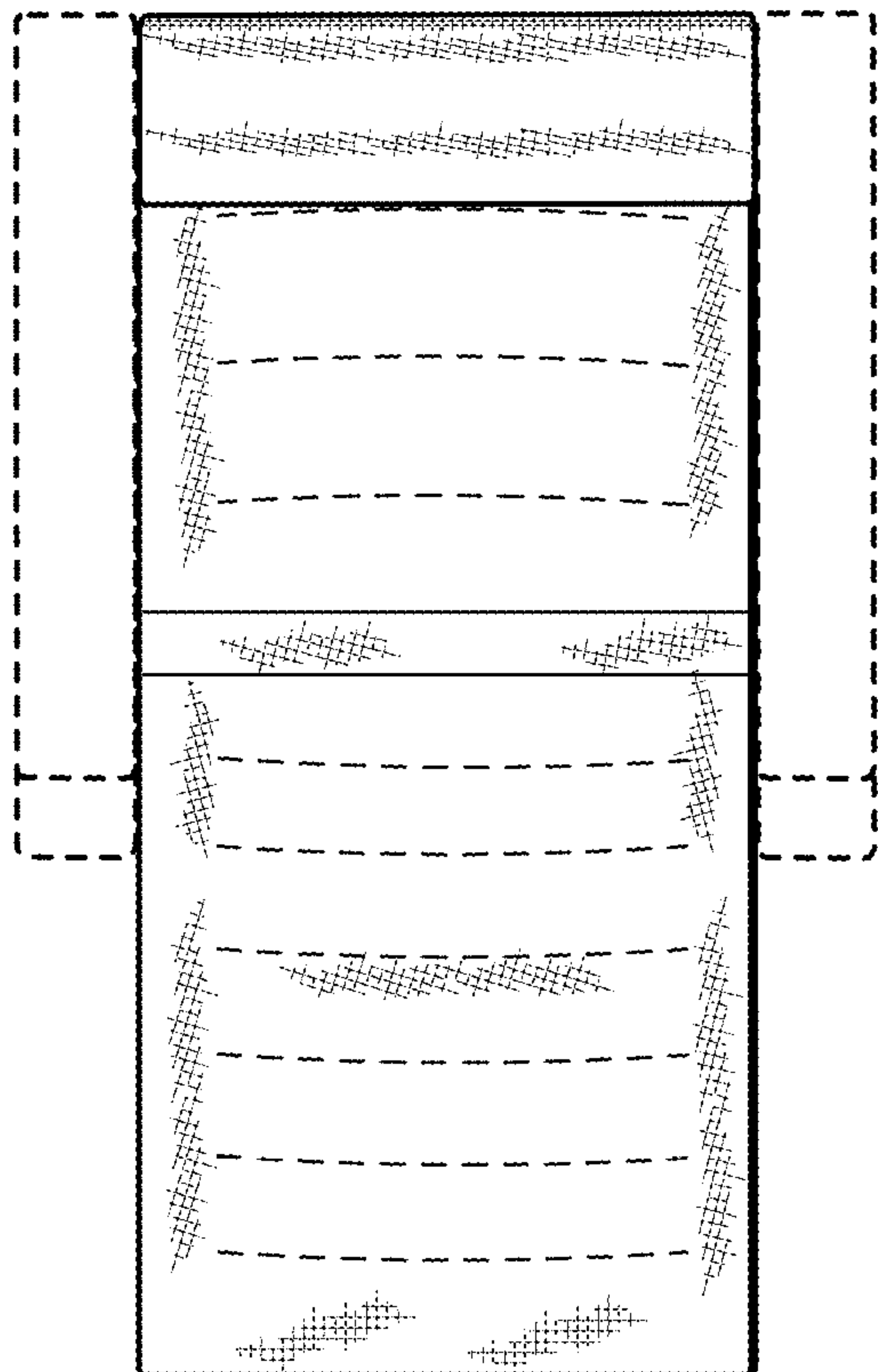


FIG. 2

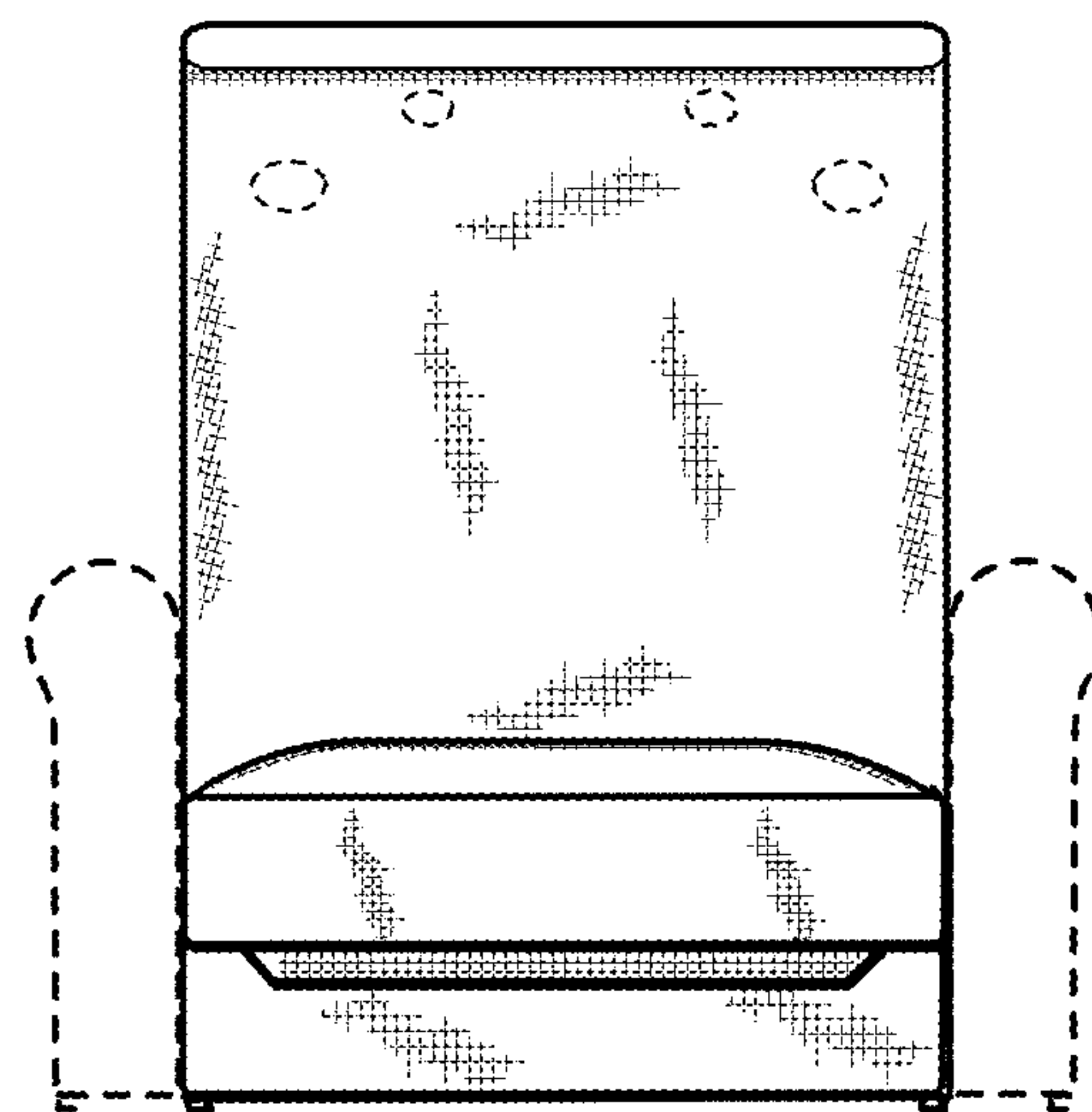


FIG. 3

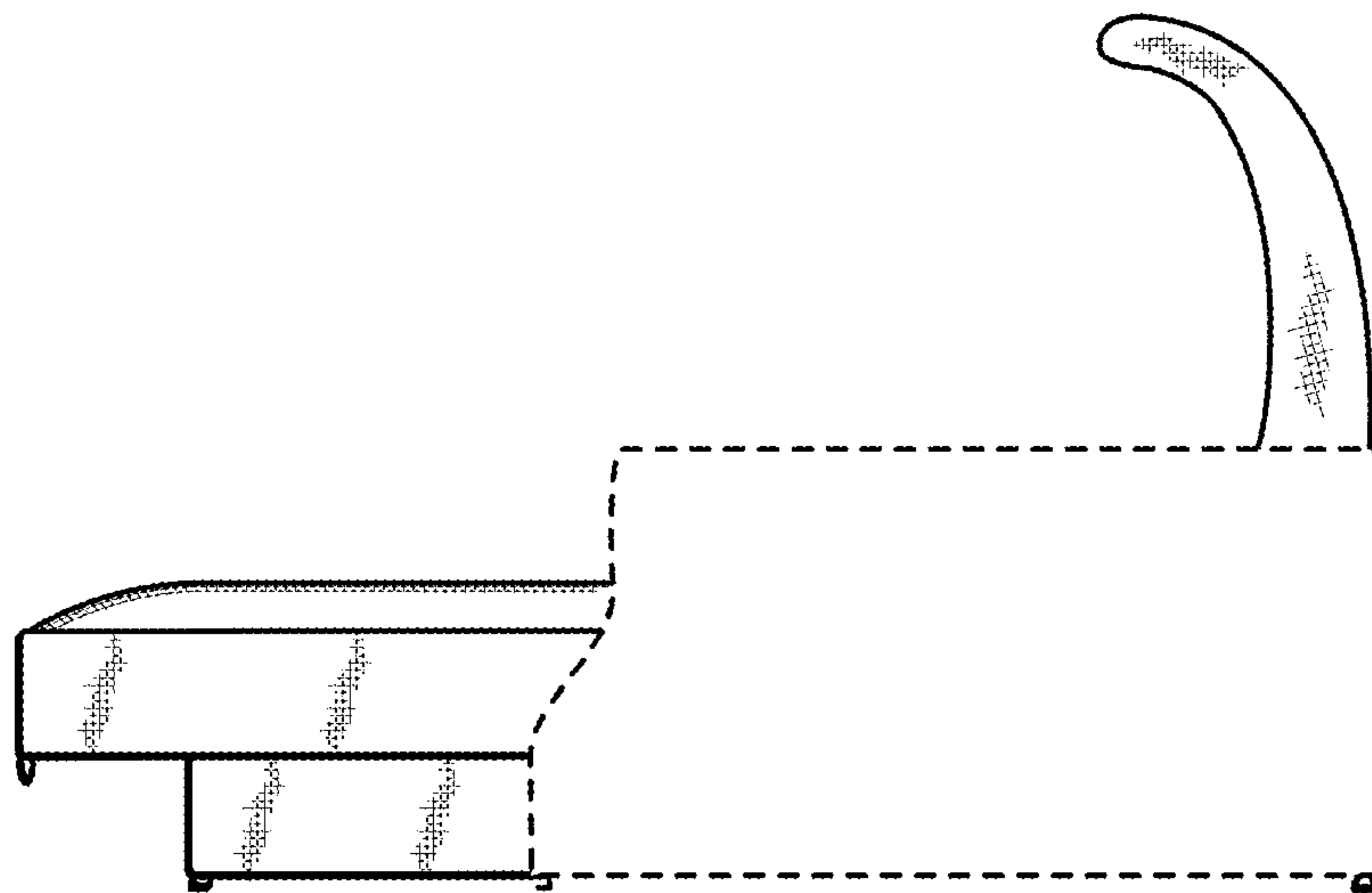


FIG. 4

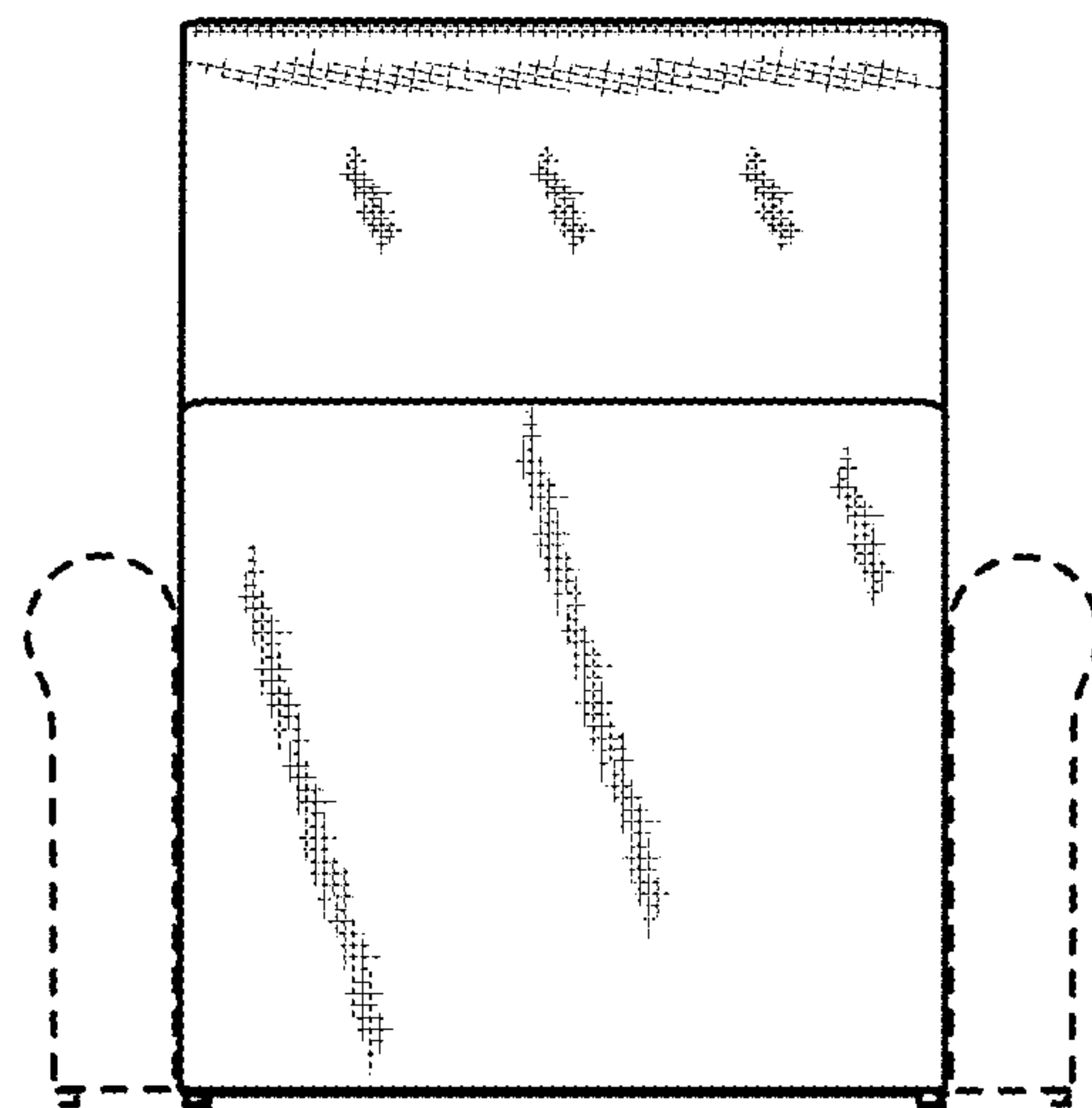


FIG. 5

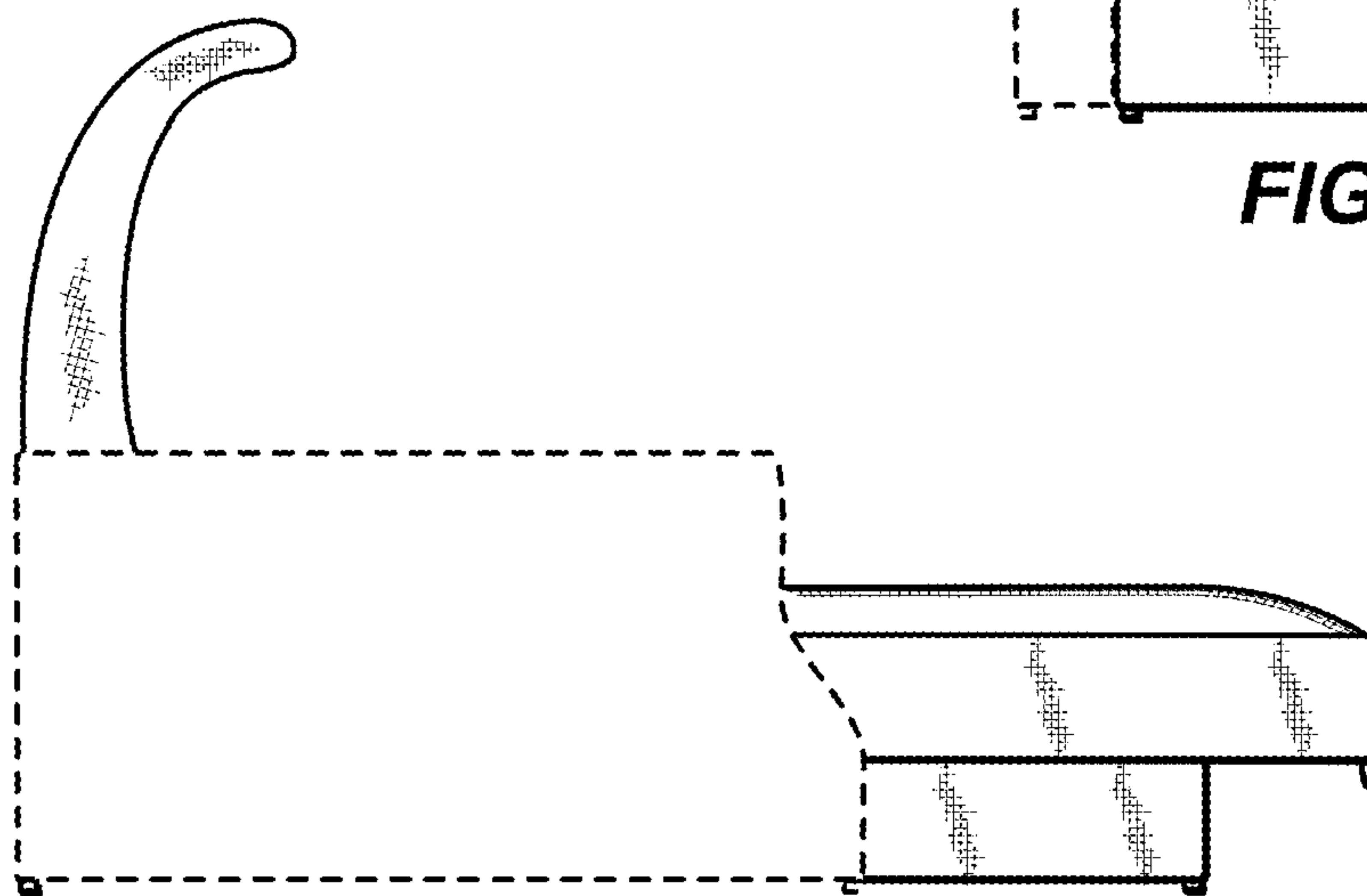


FIG. 6

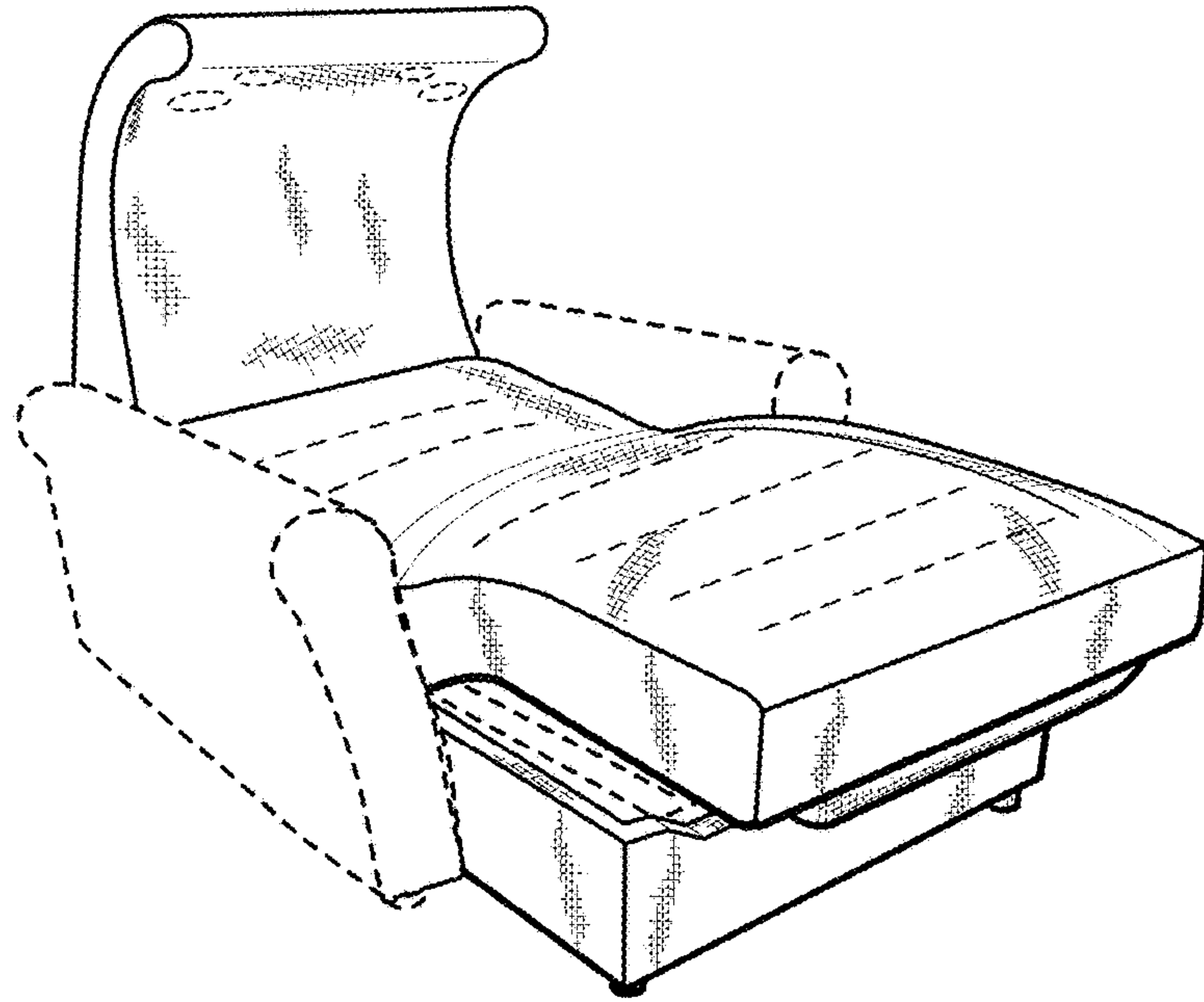


FIG. 7

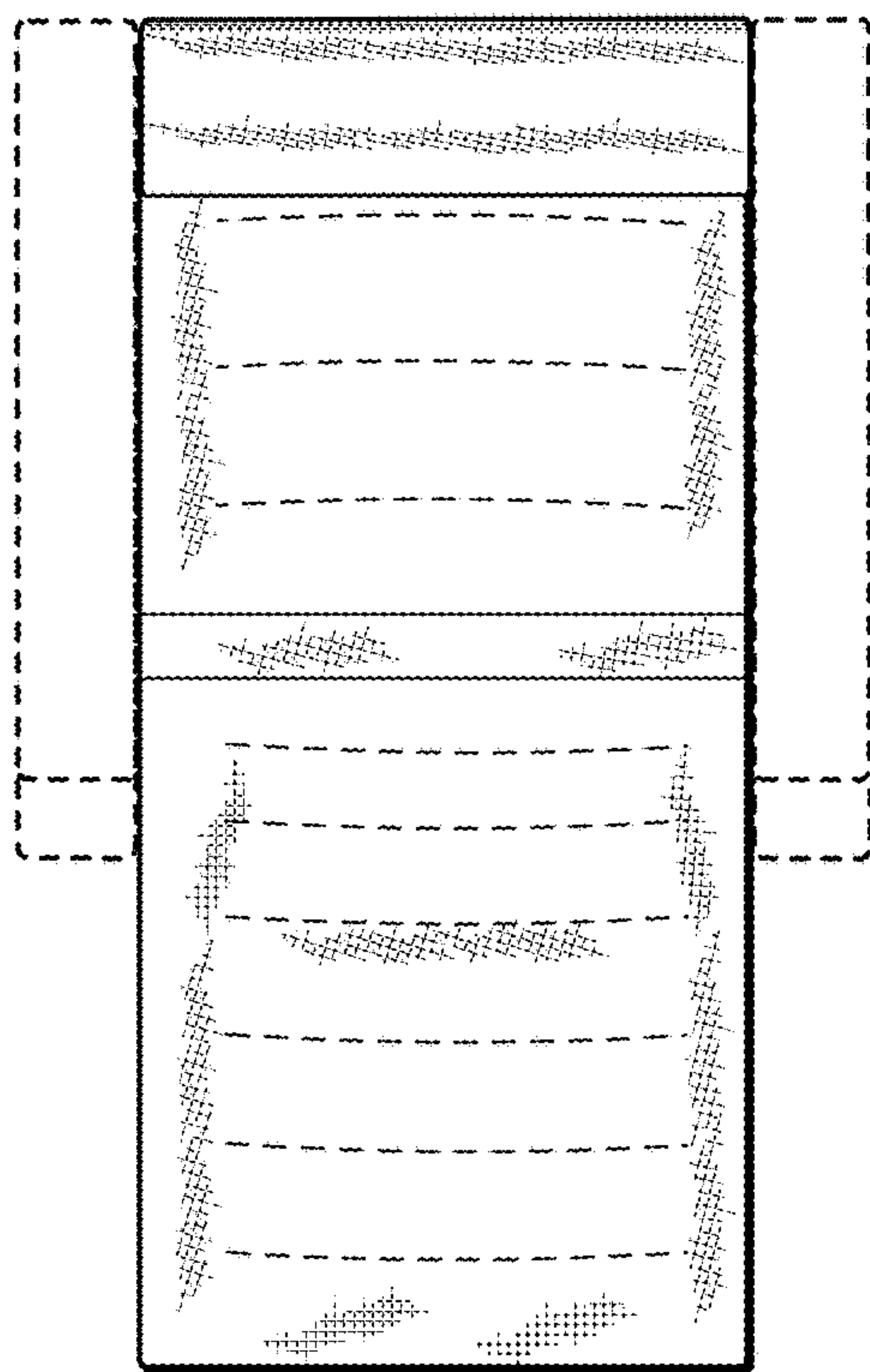


FIG. 8

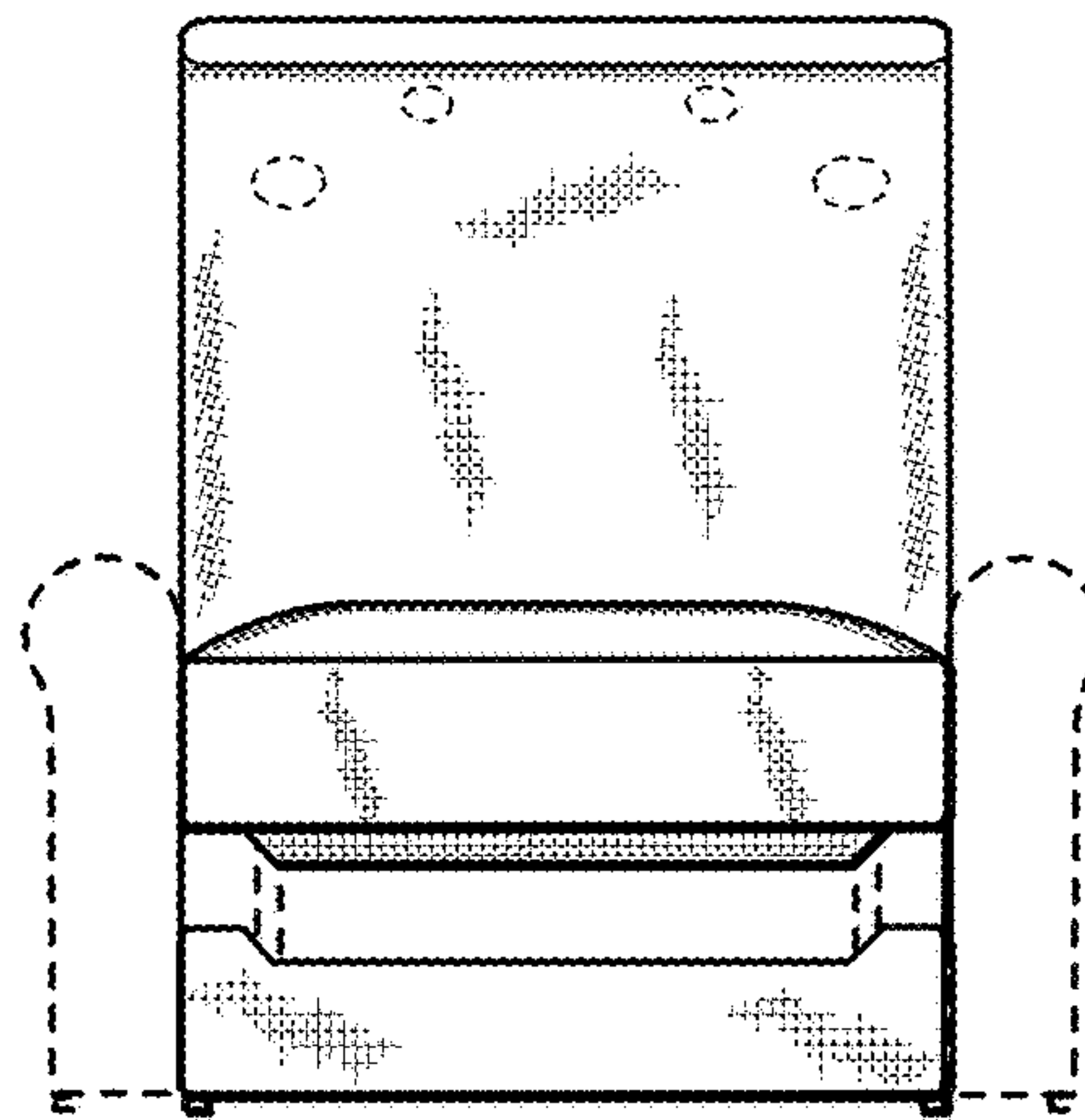


FIG. 9

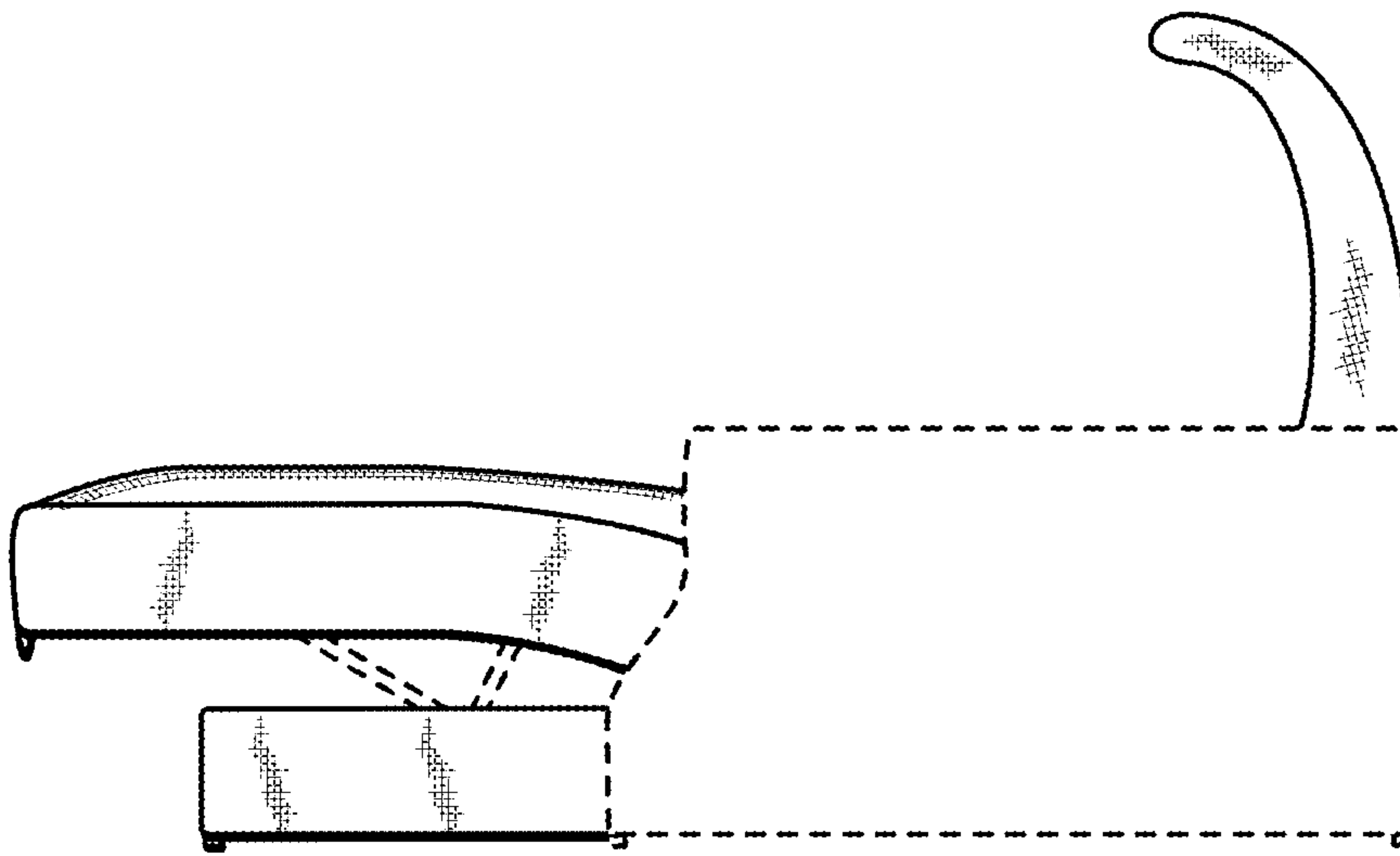


FIG. 10

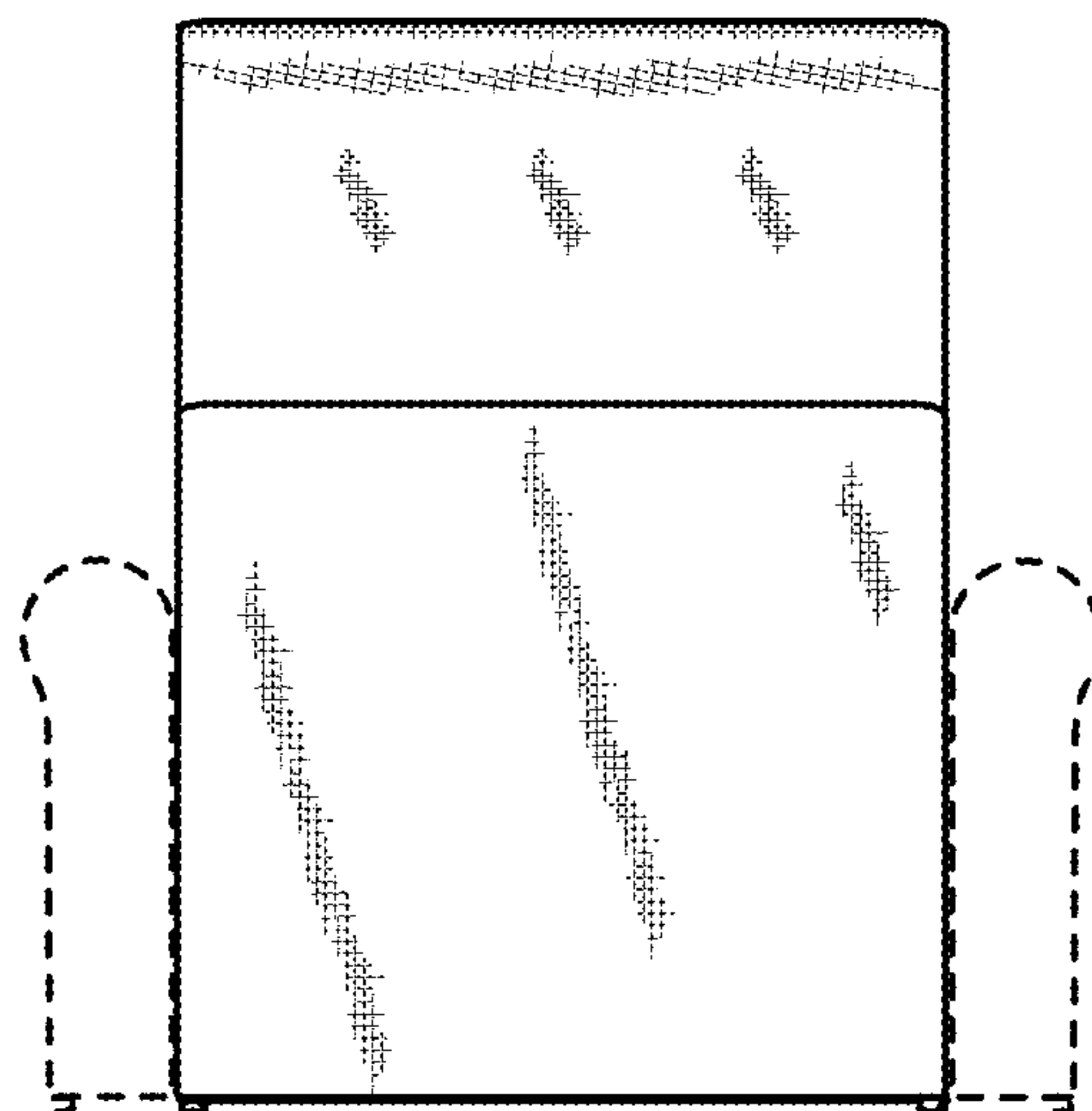


FIG. 11

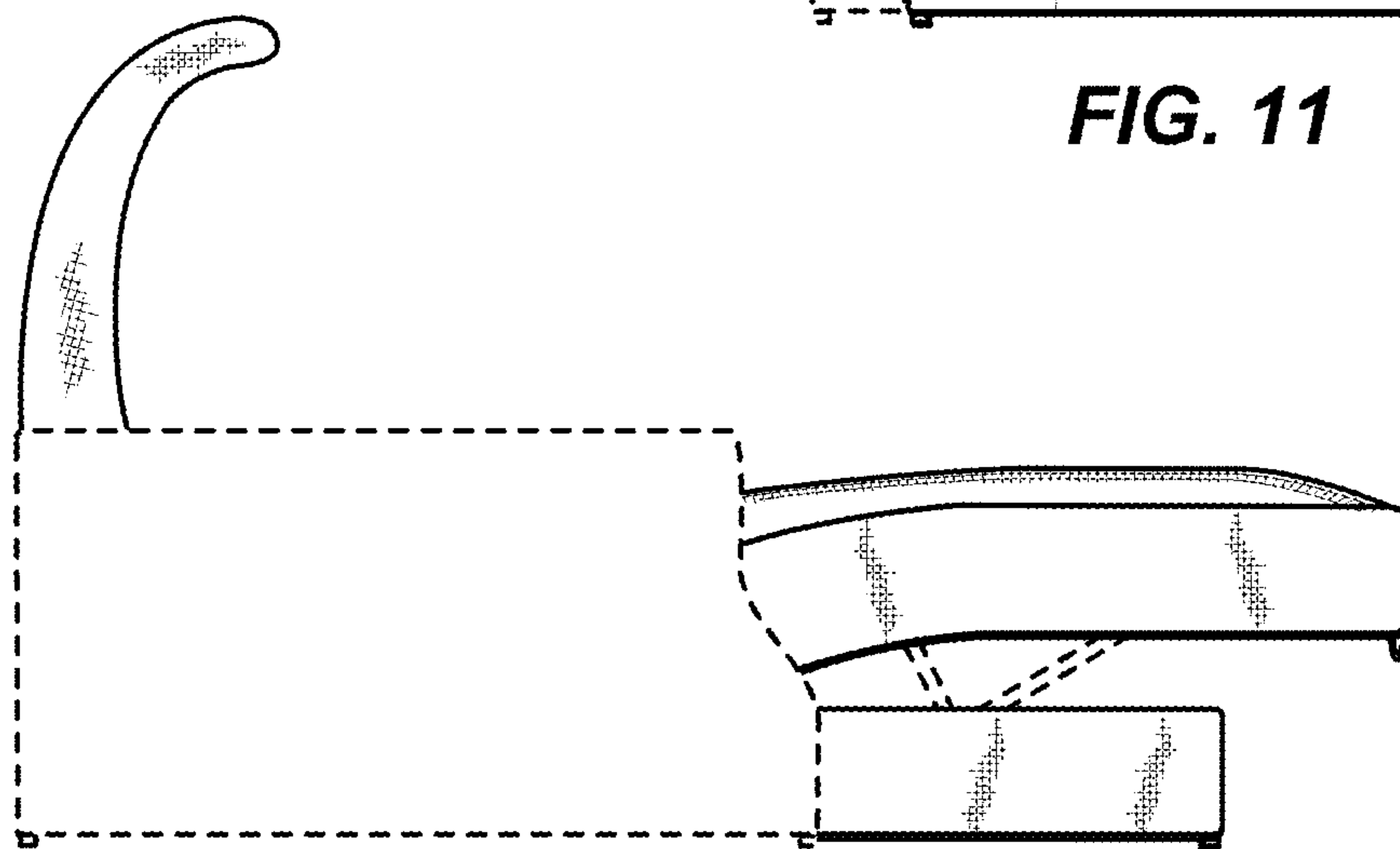


FIG. 12

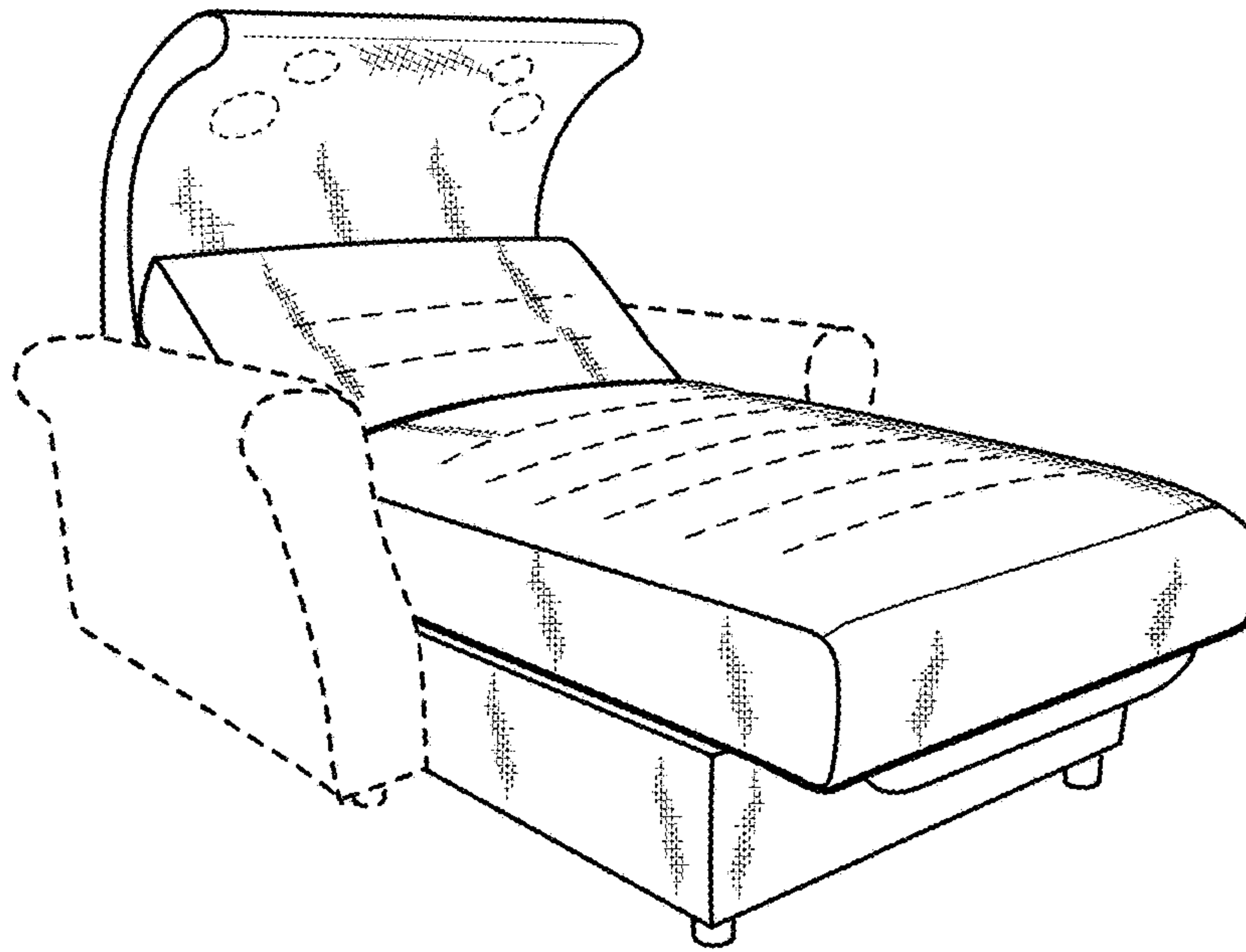


FIG. 13

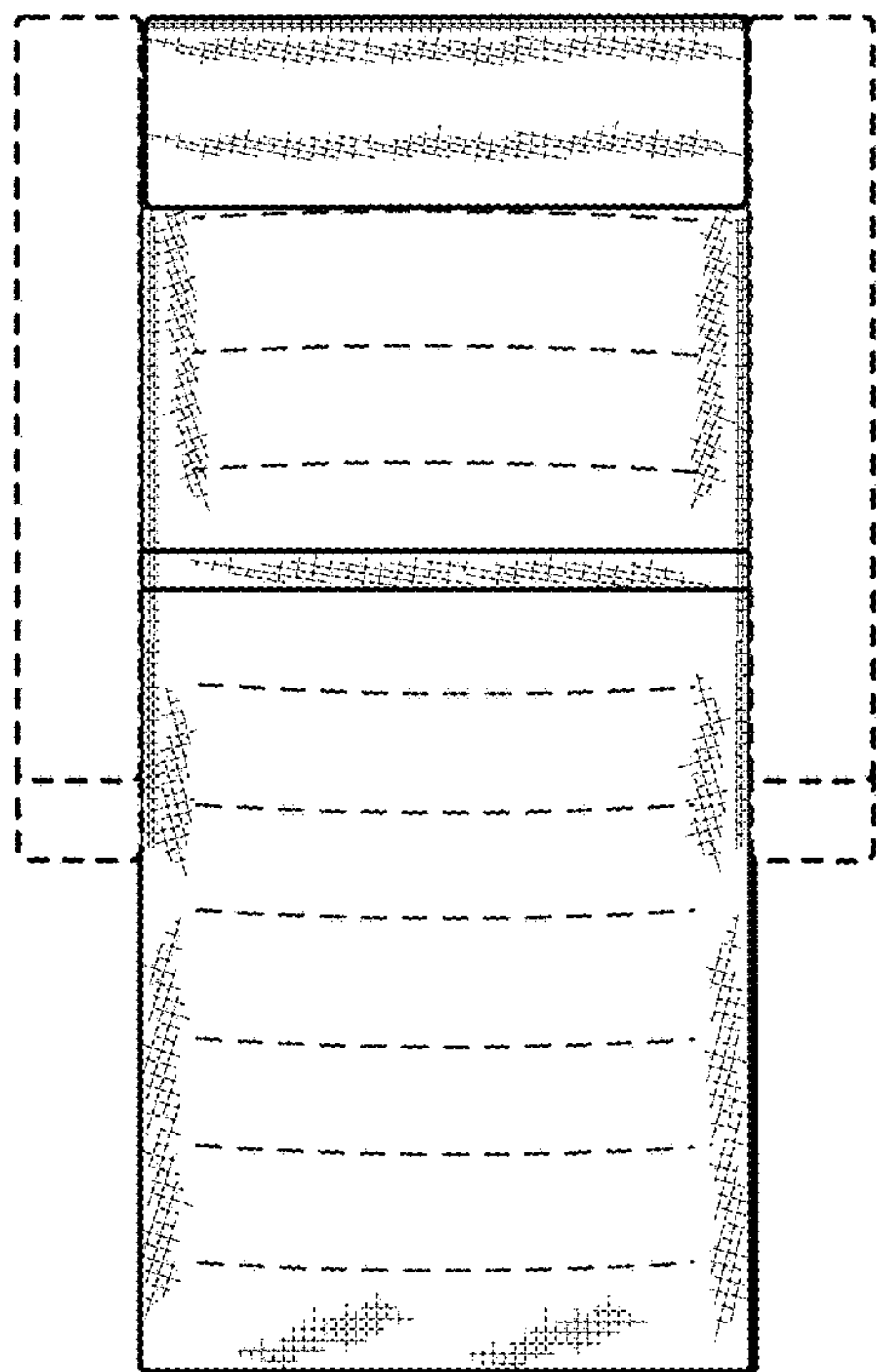


FIG. 14

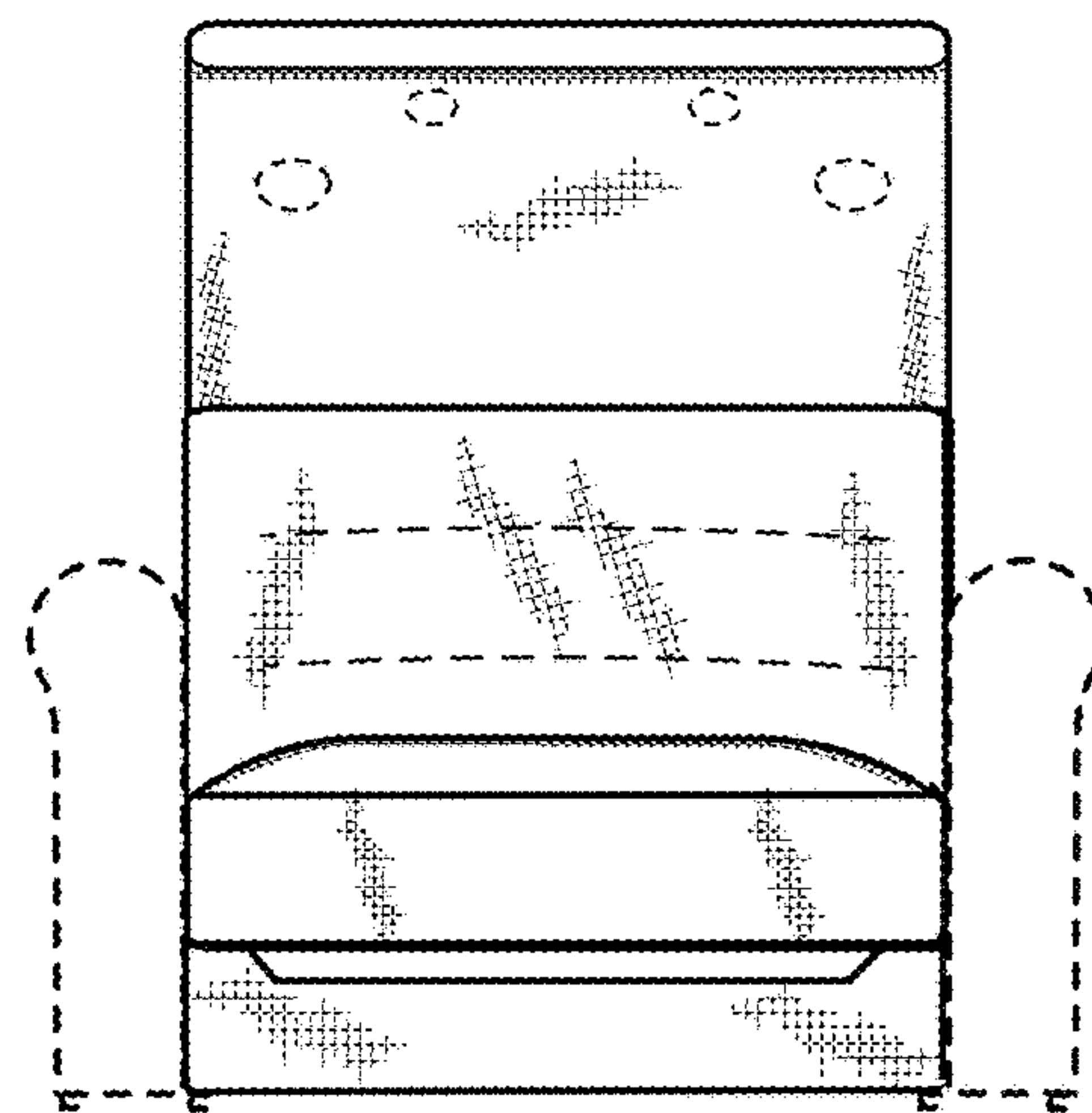


FIG. 15

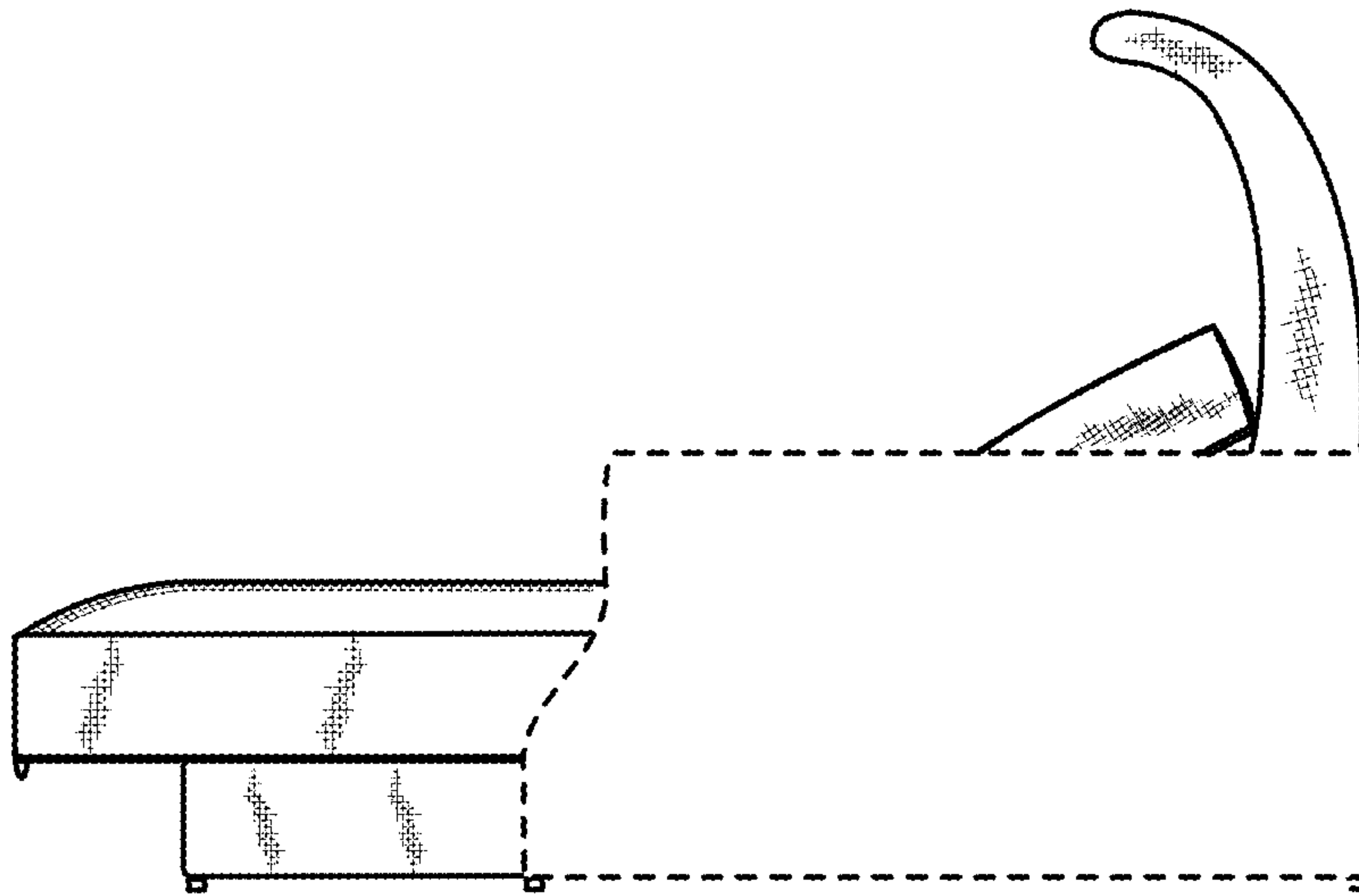


FIG. 16

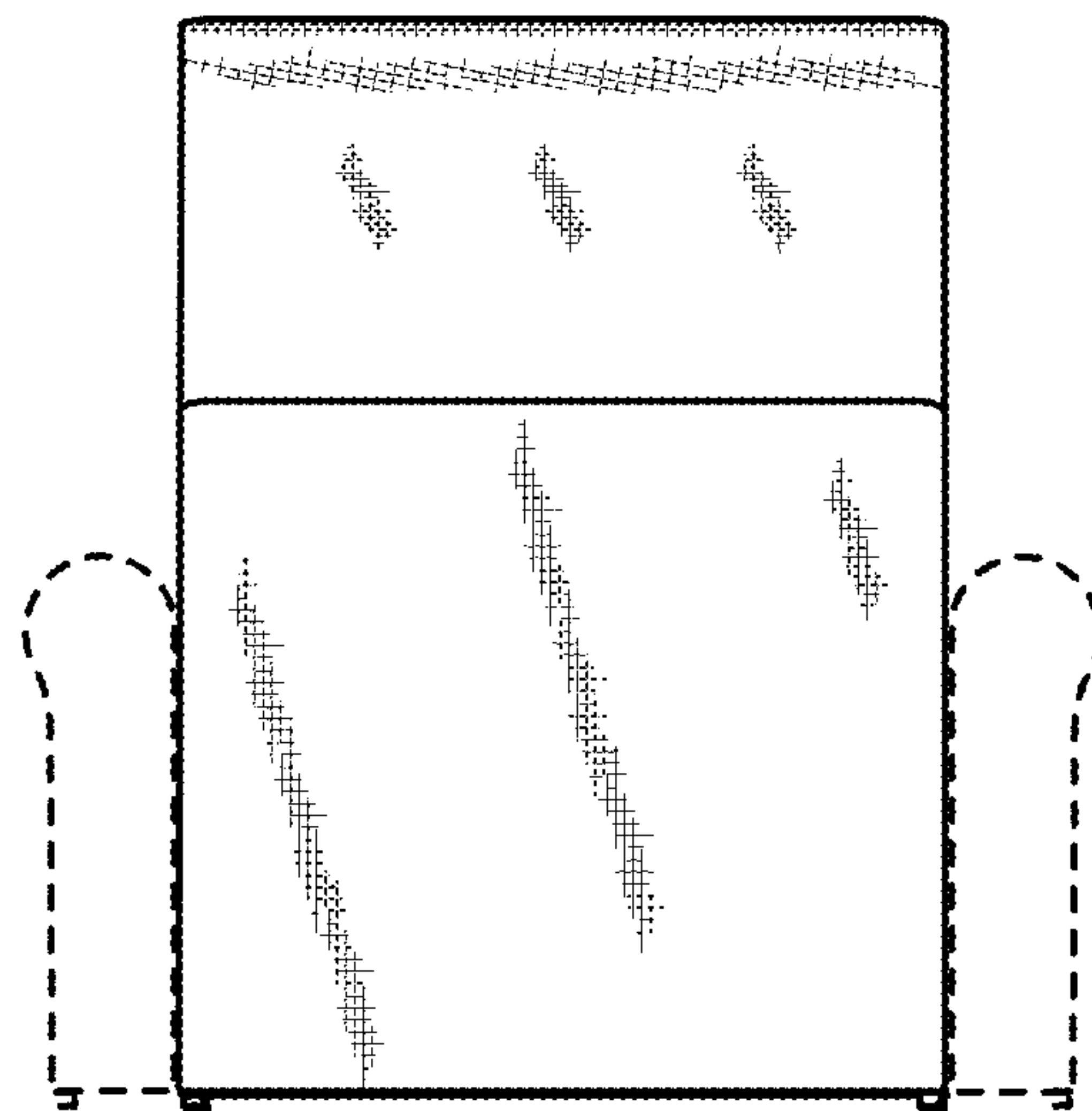


FIG. 17

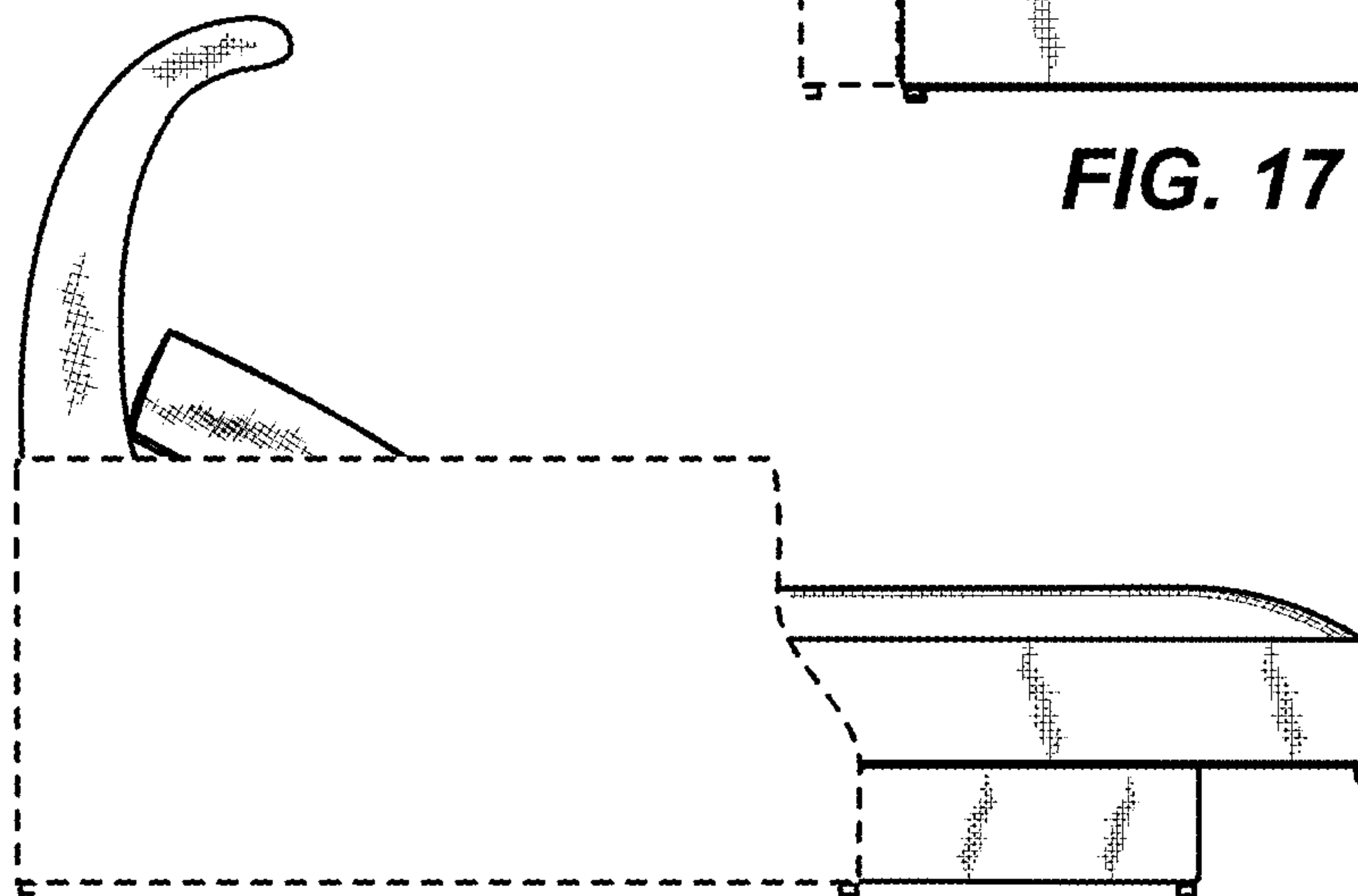


FIG. 18

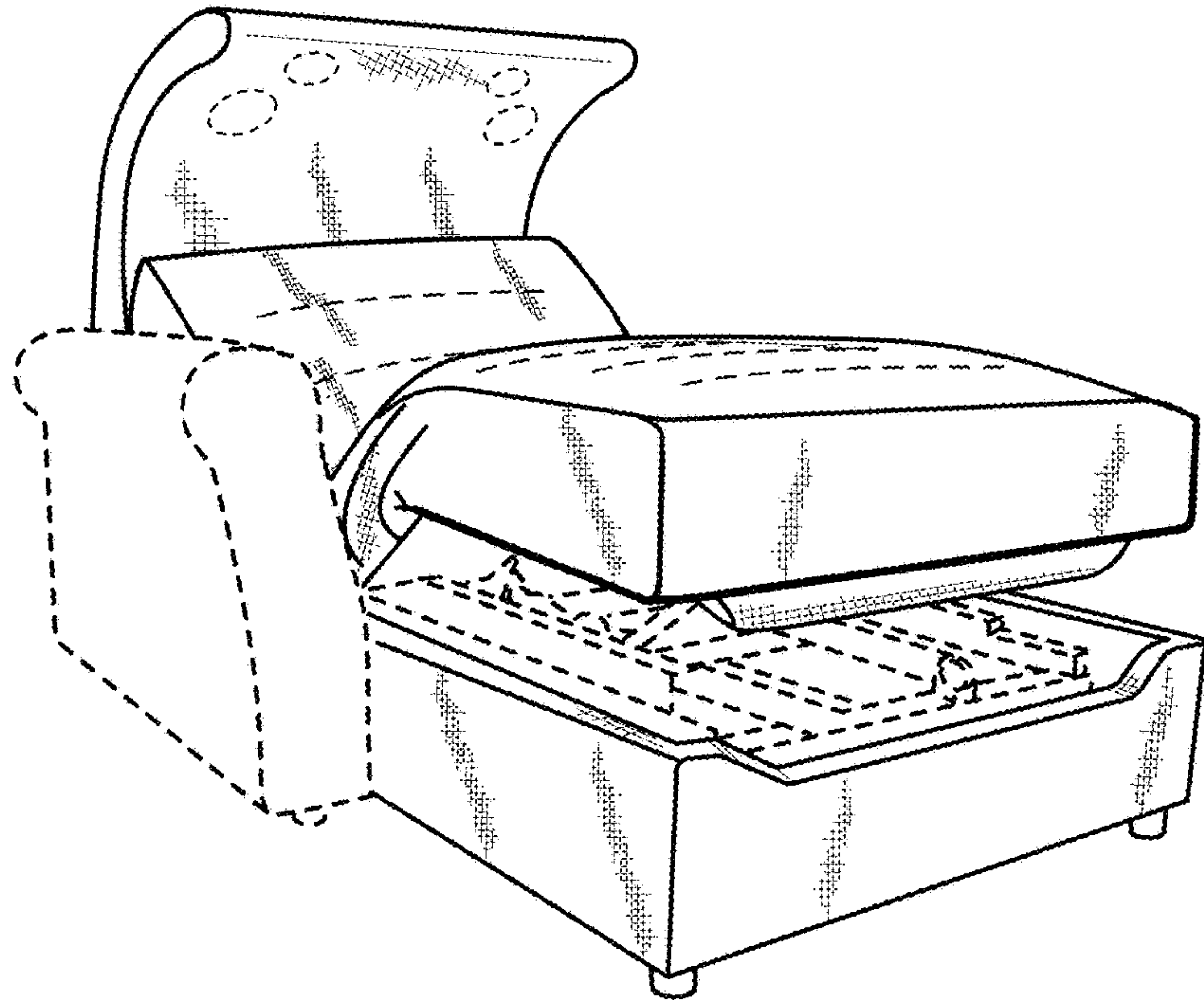


FIG. 19

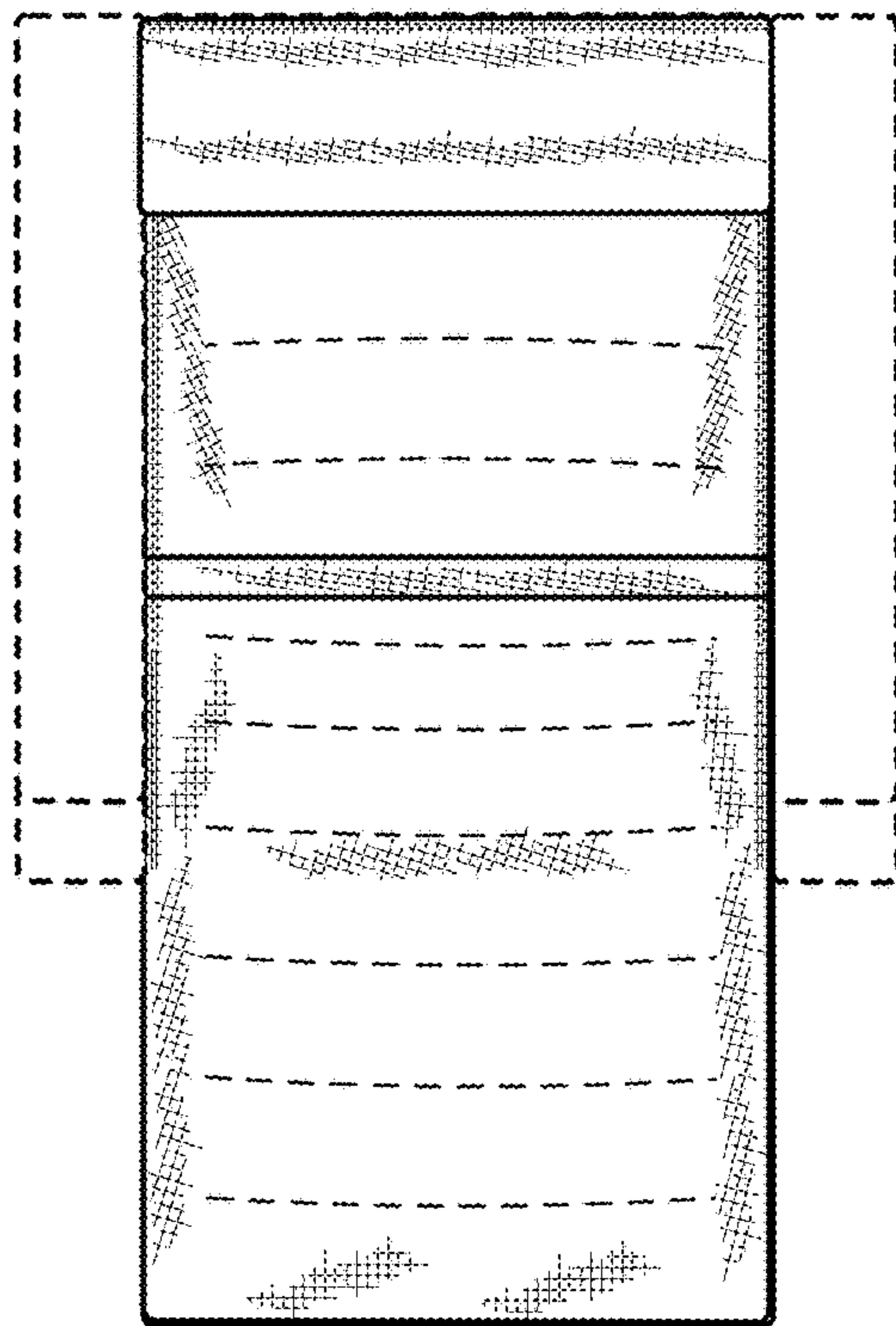


FIG. 20

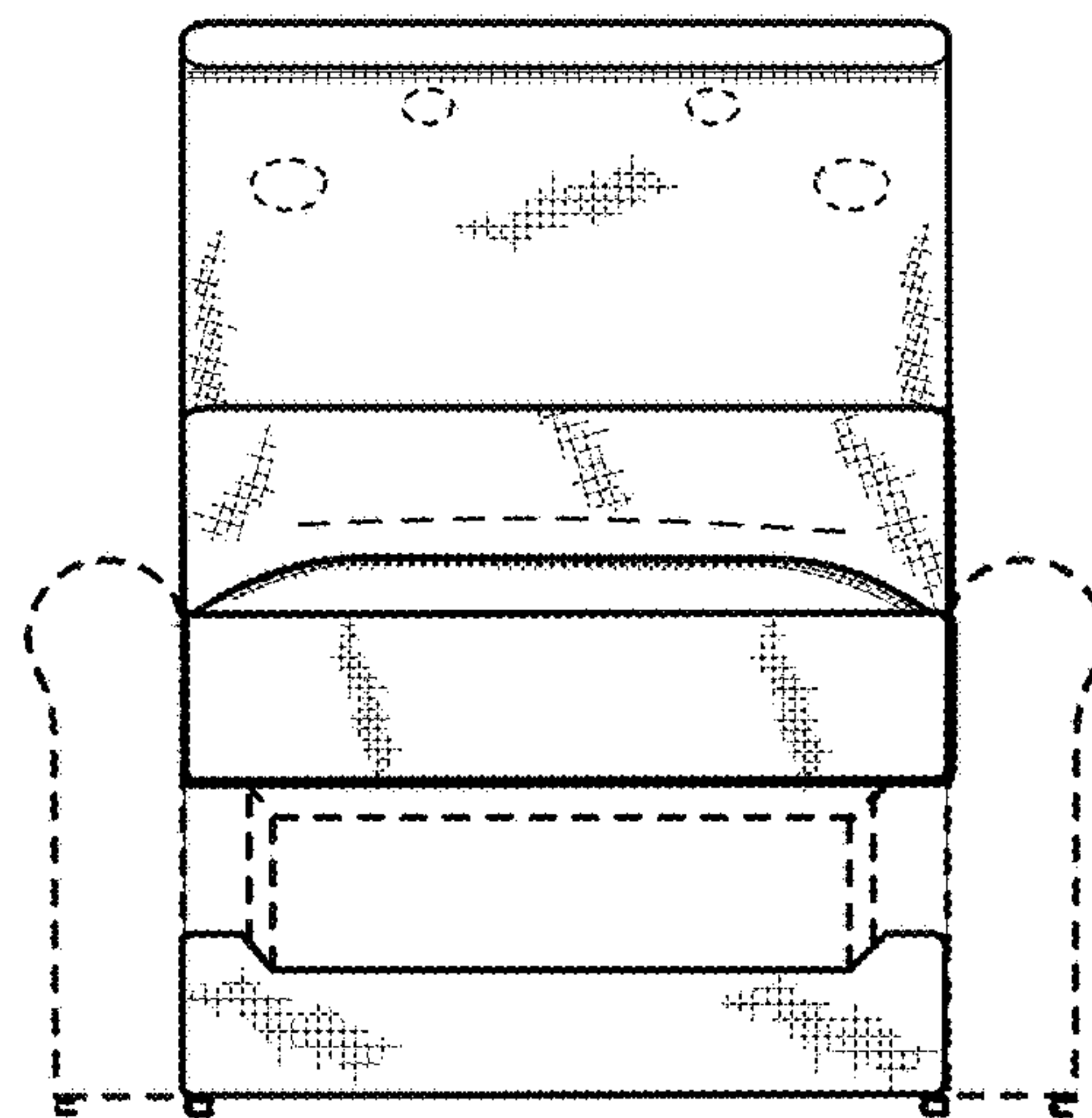


FIG. 21

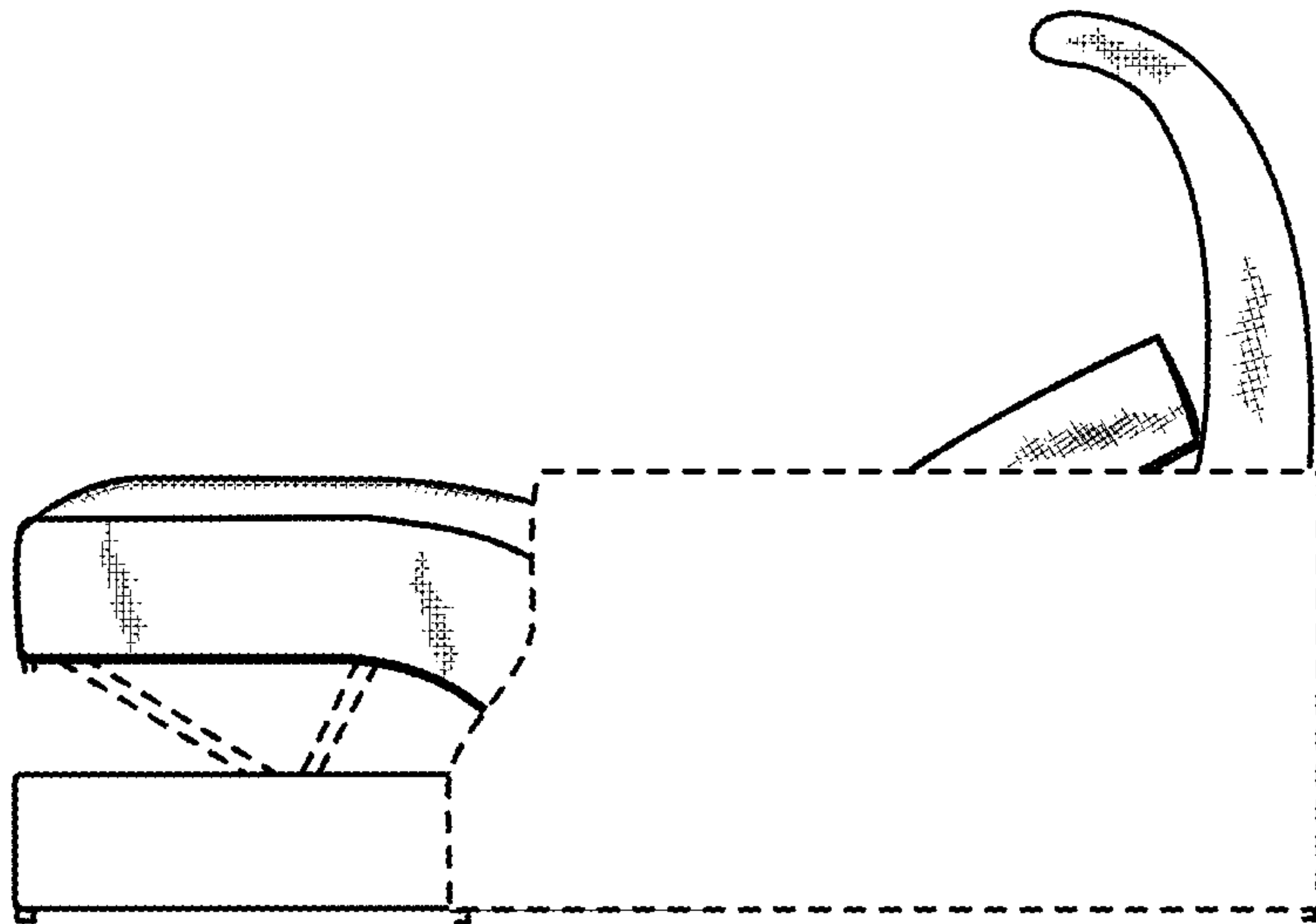


FIG. 22

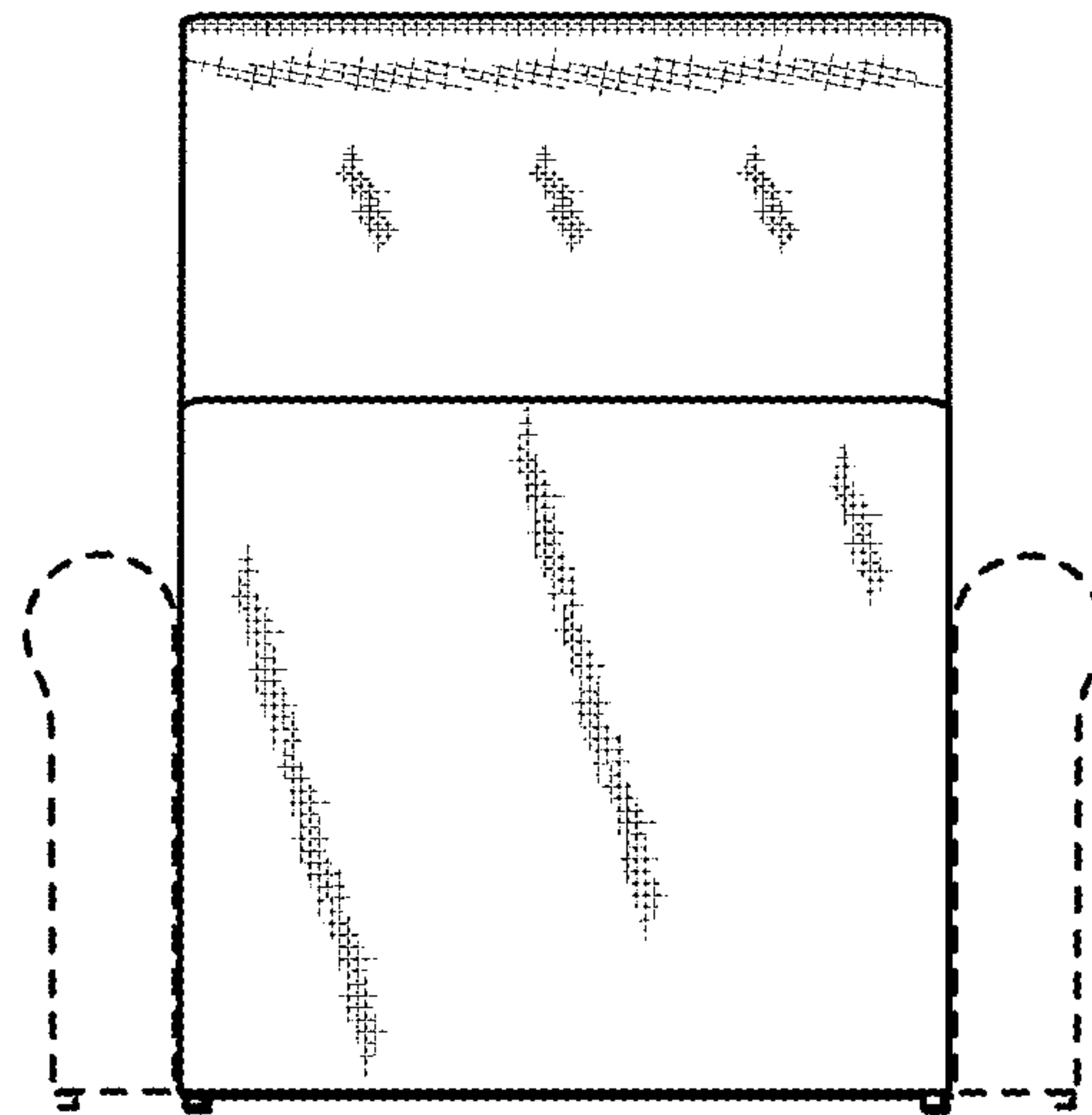


FIG. 23

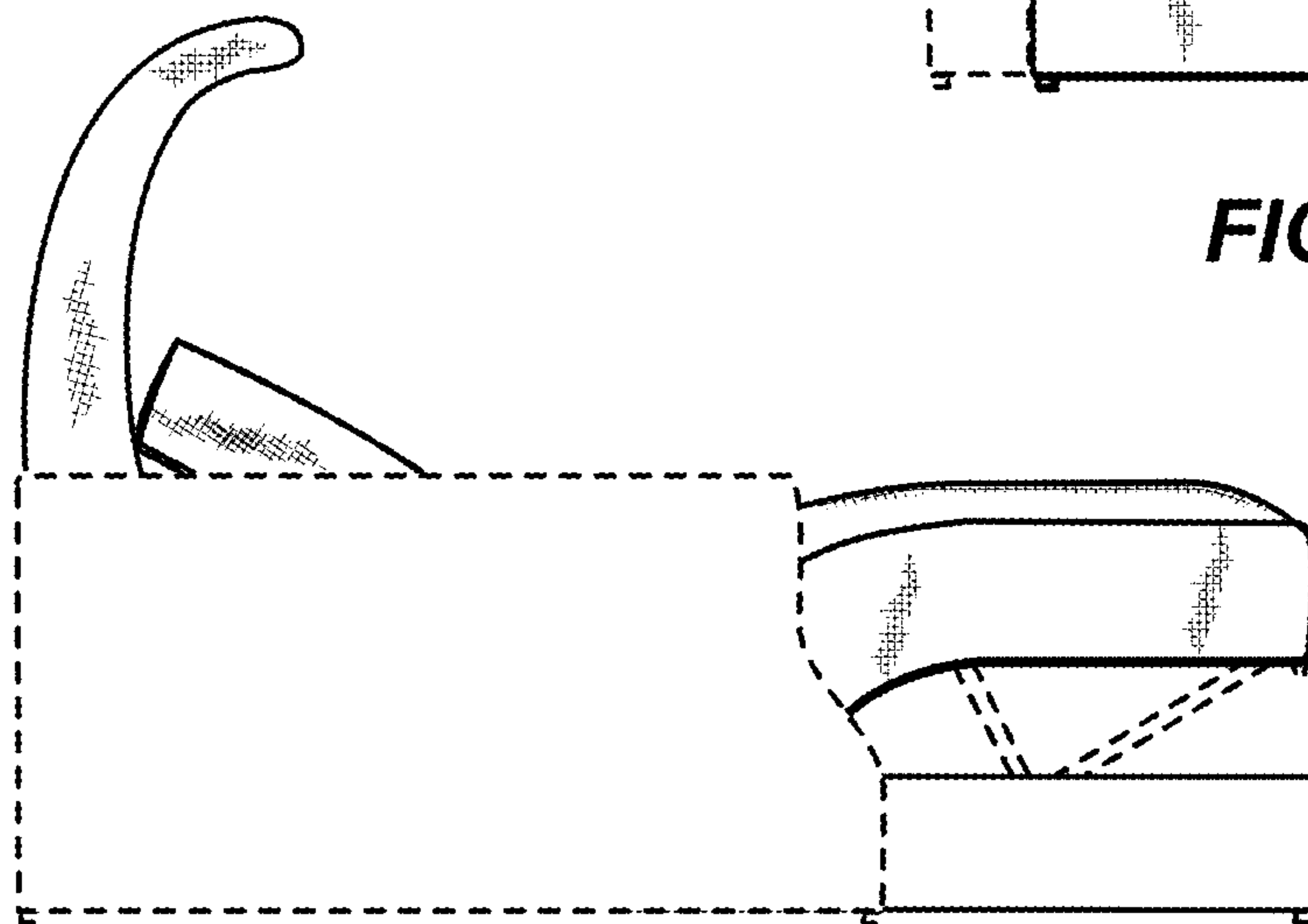


FIG. 24

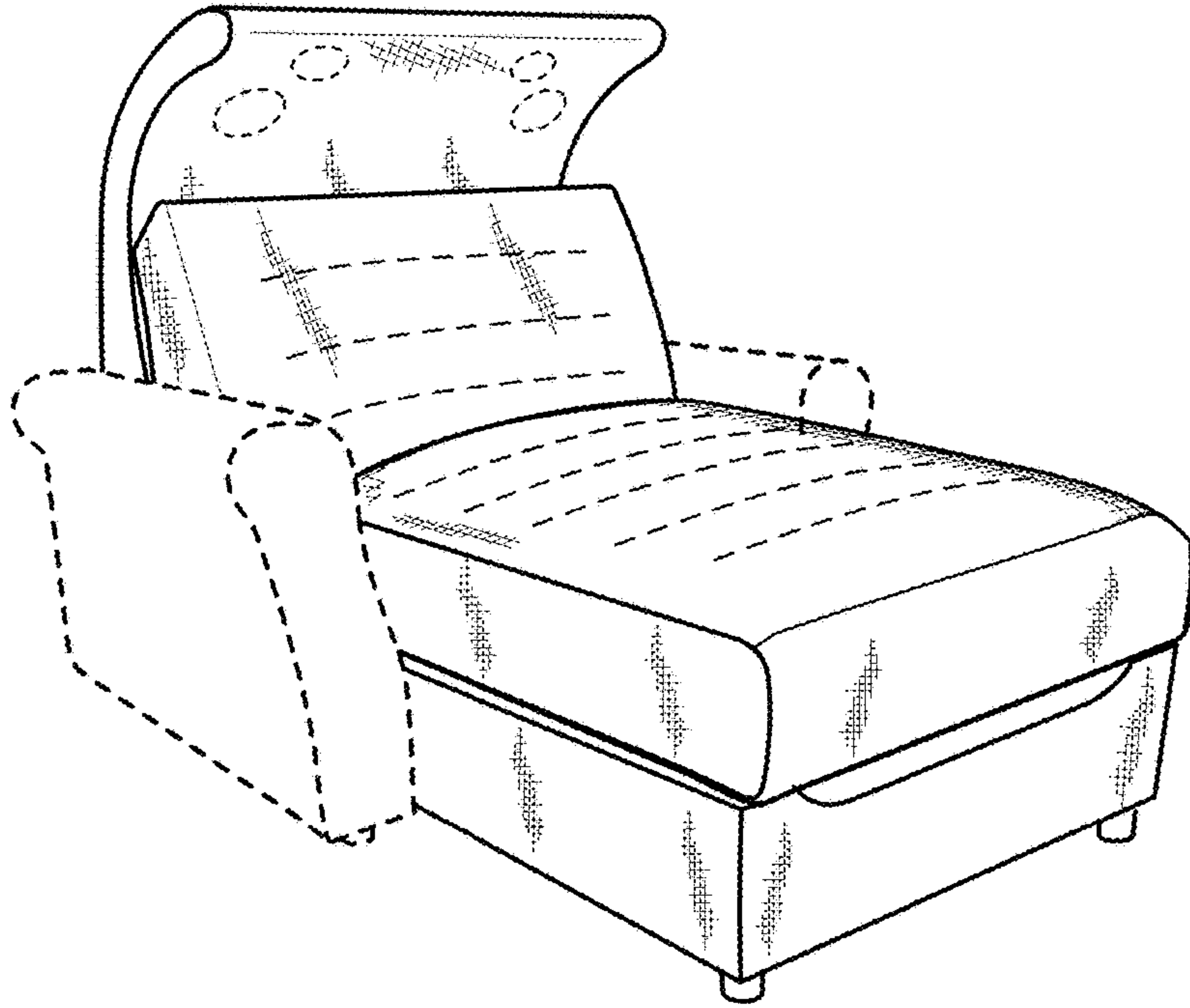


FIG. 25

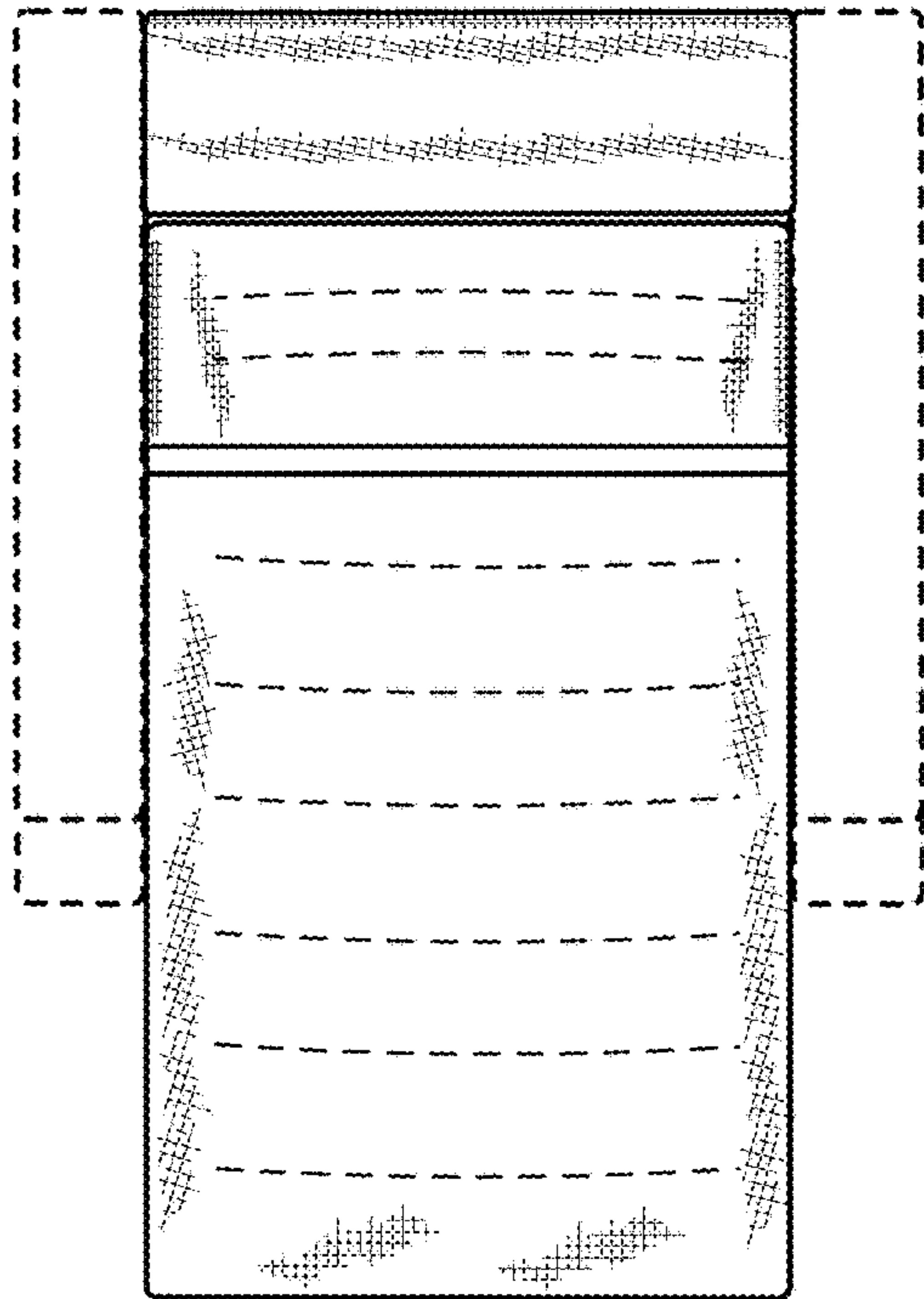


FIG. 26

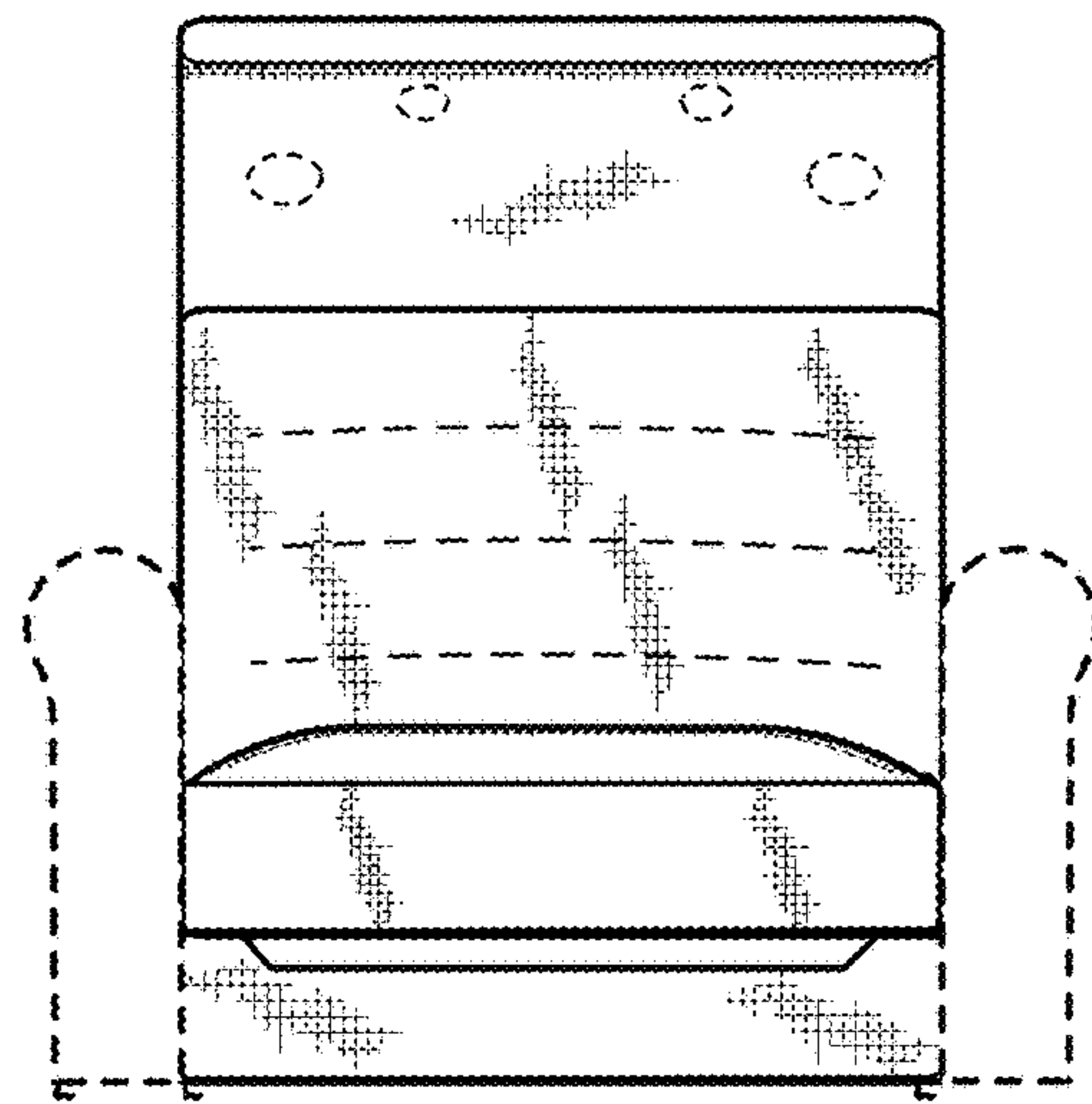


FIG. 27

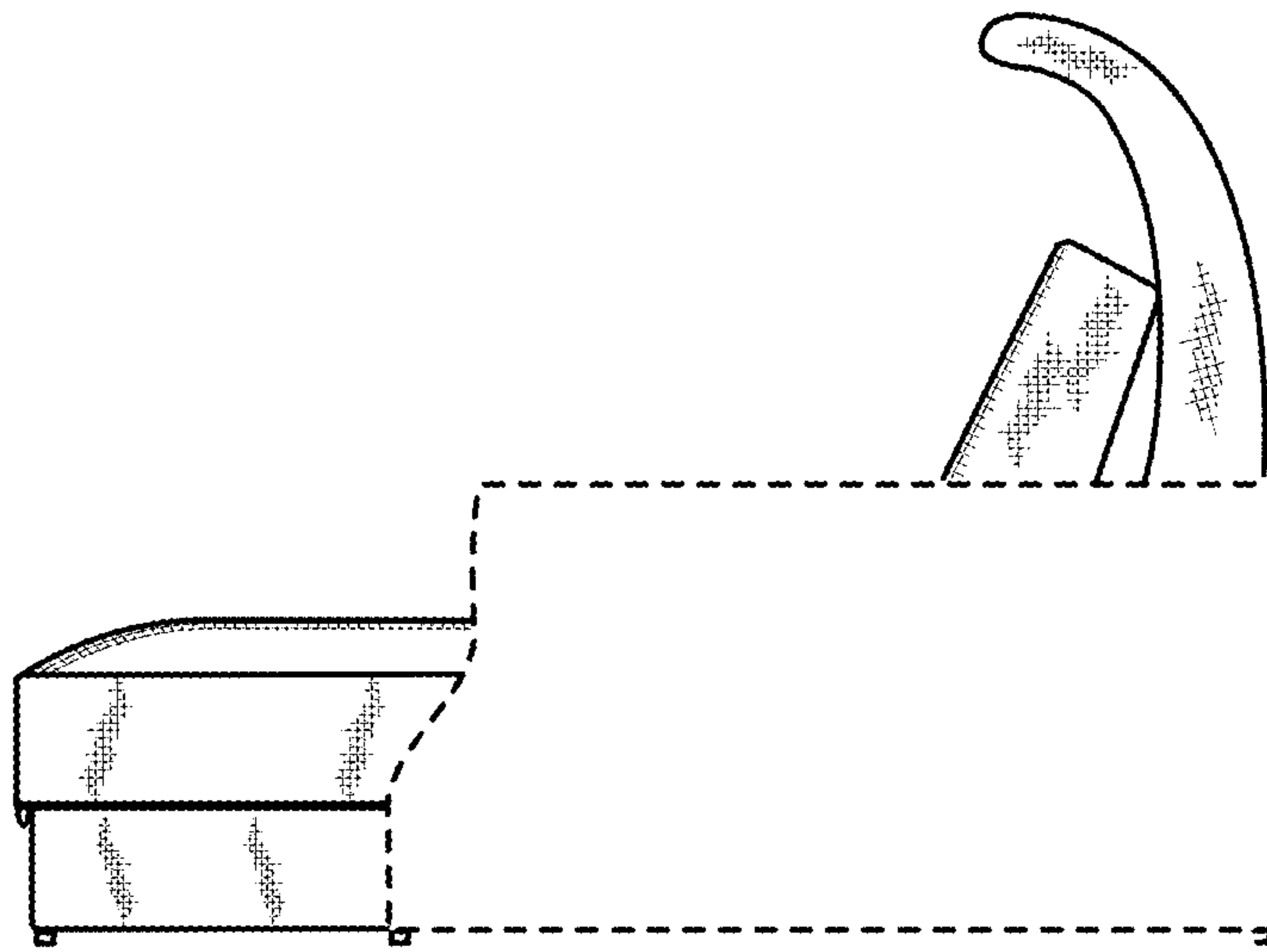


FIG. 28

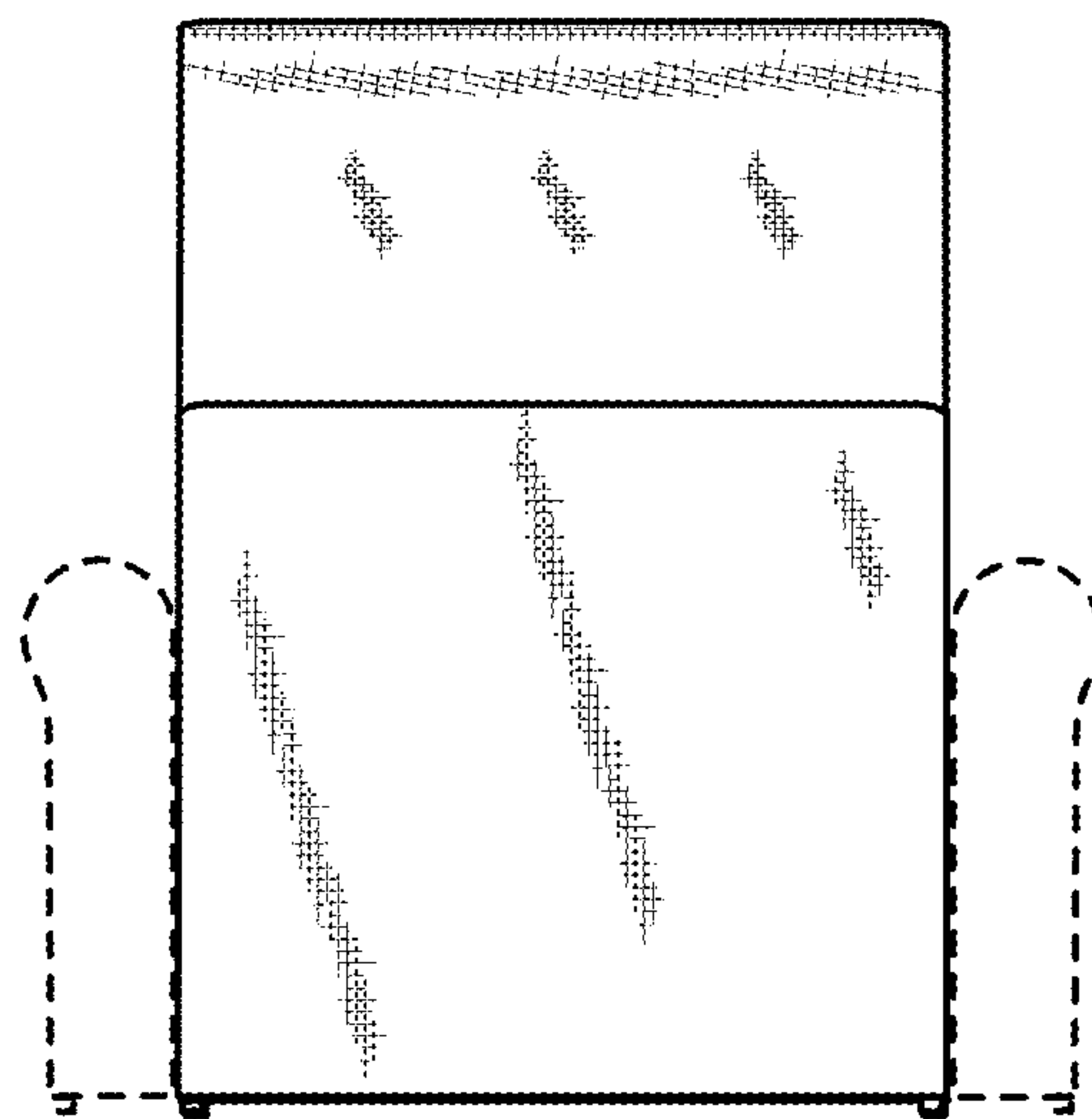


FIG. 29

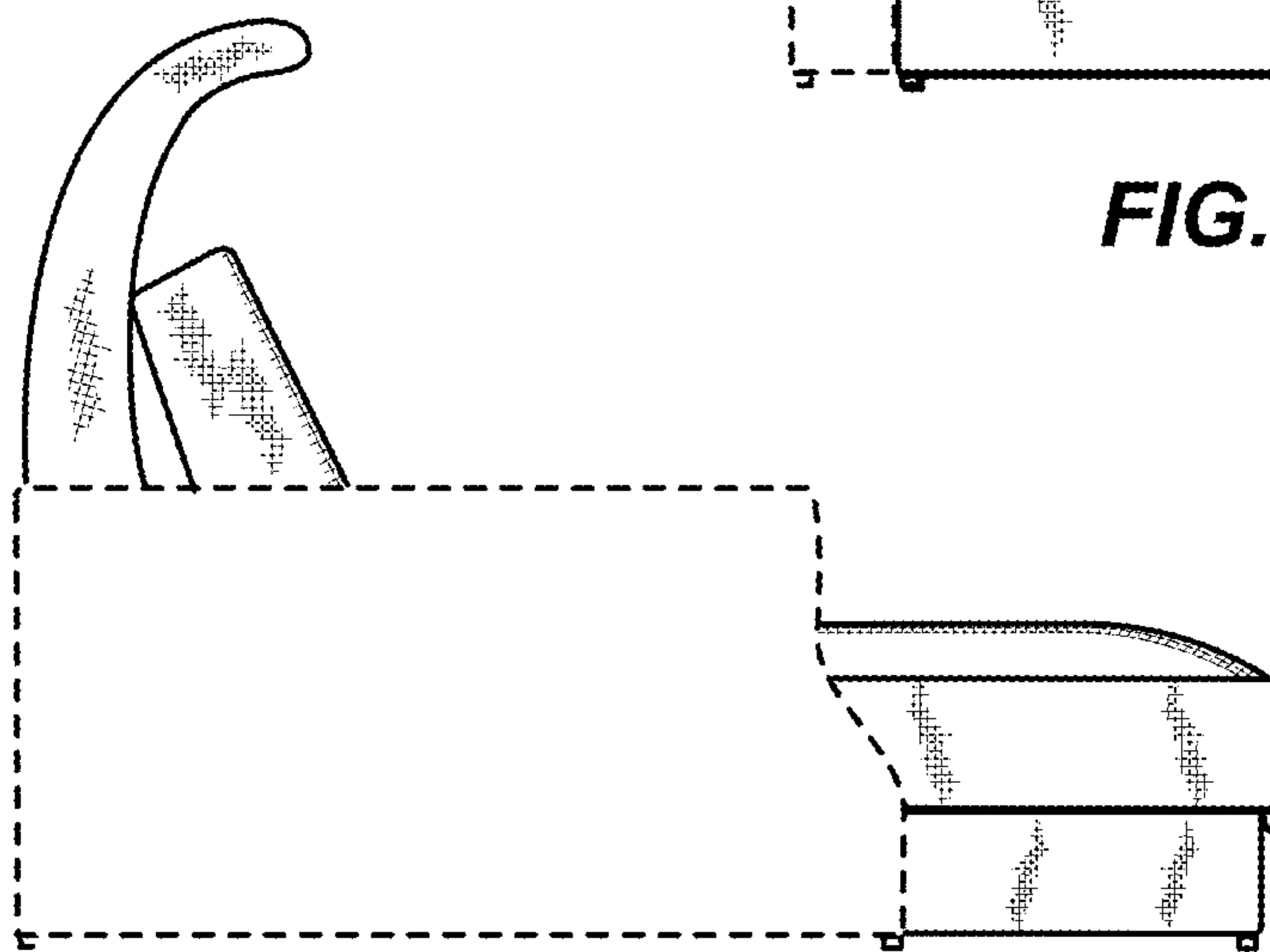


FIG. 30

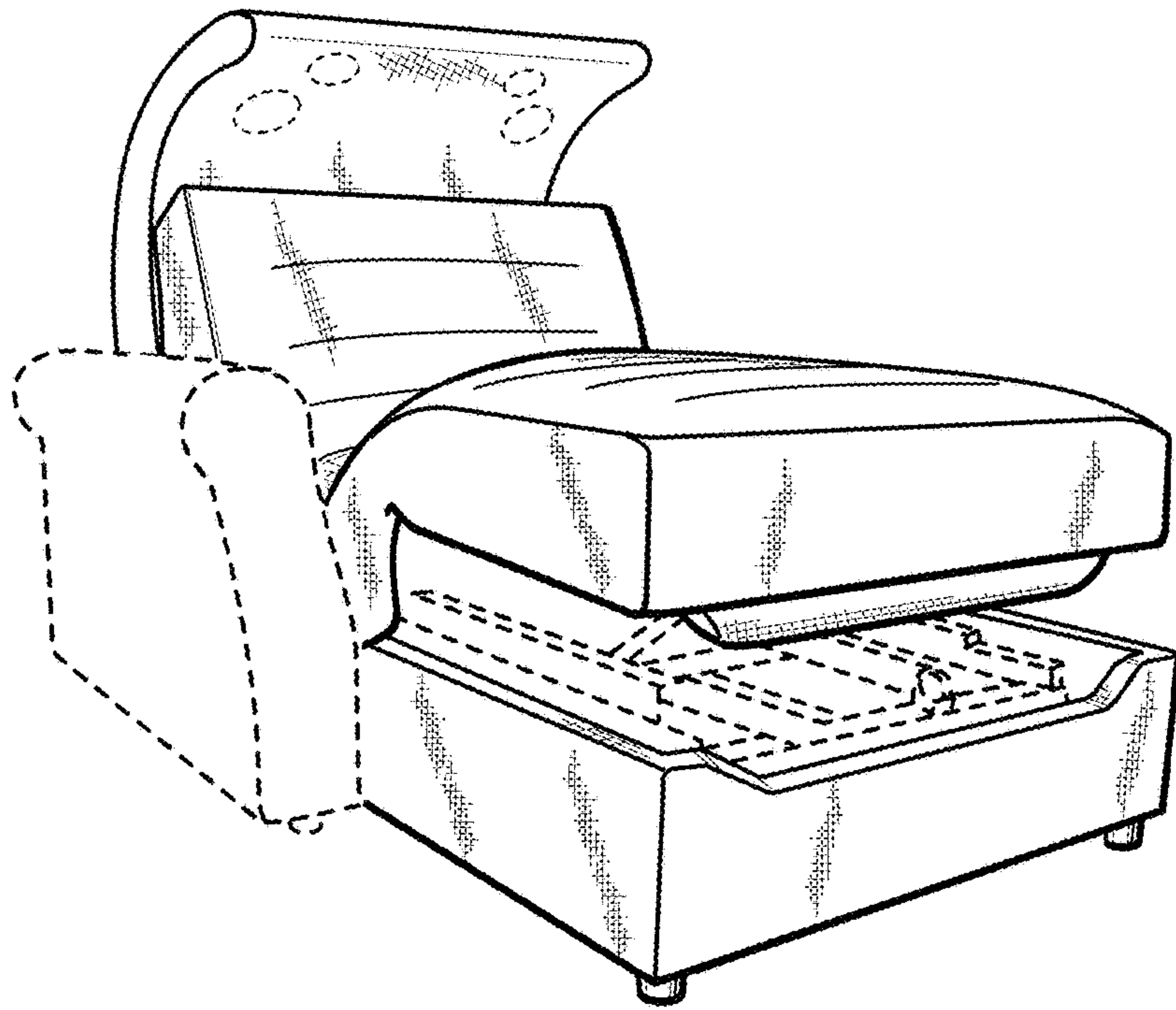


FIG. 31

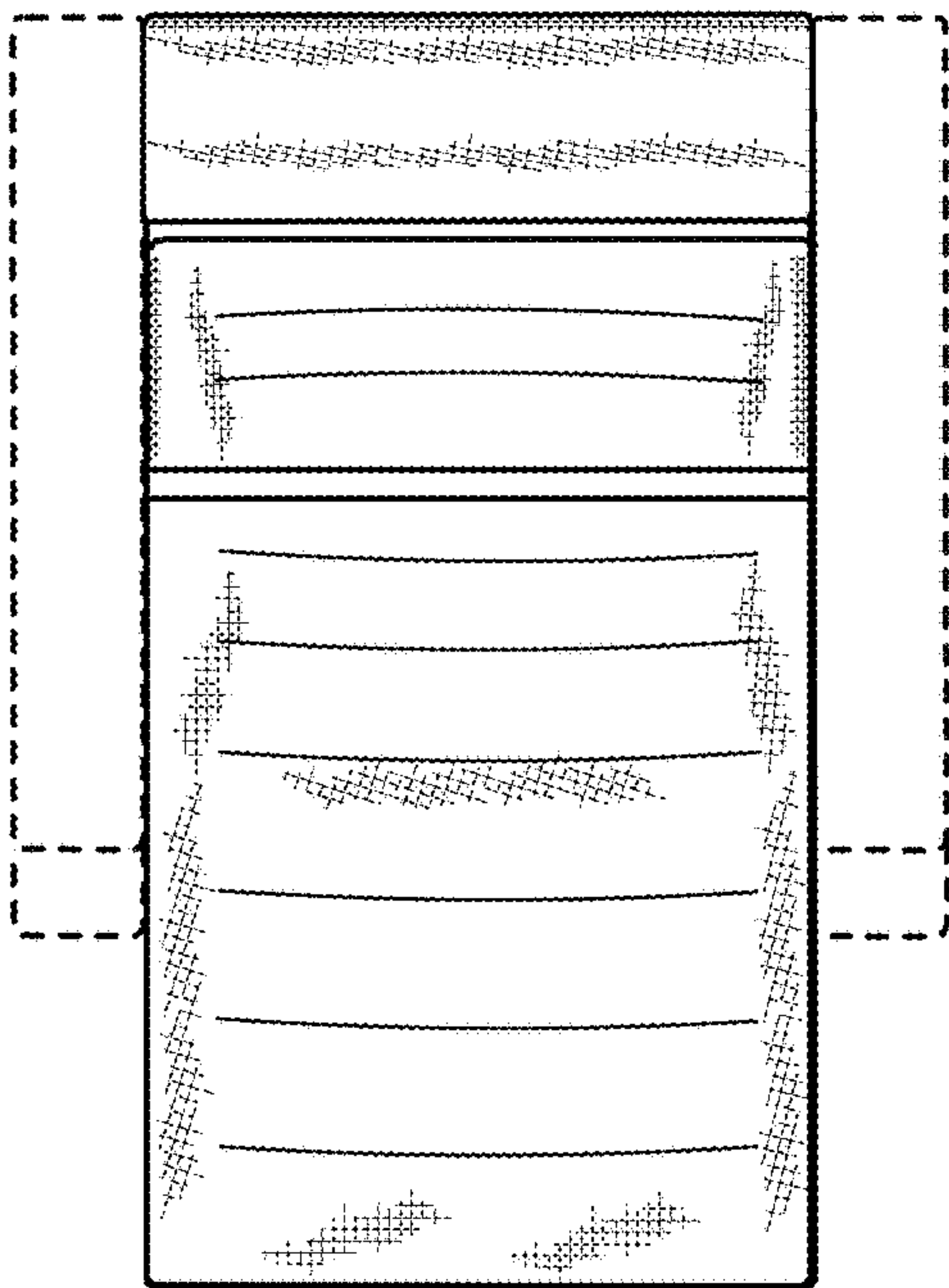


FIG. 32

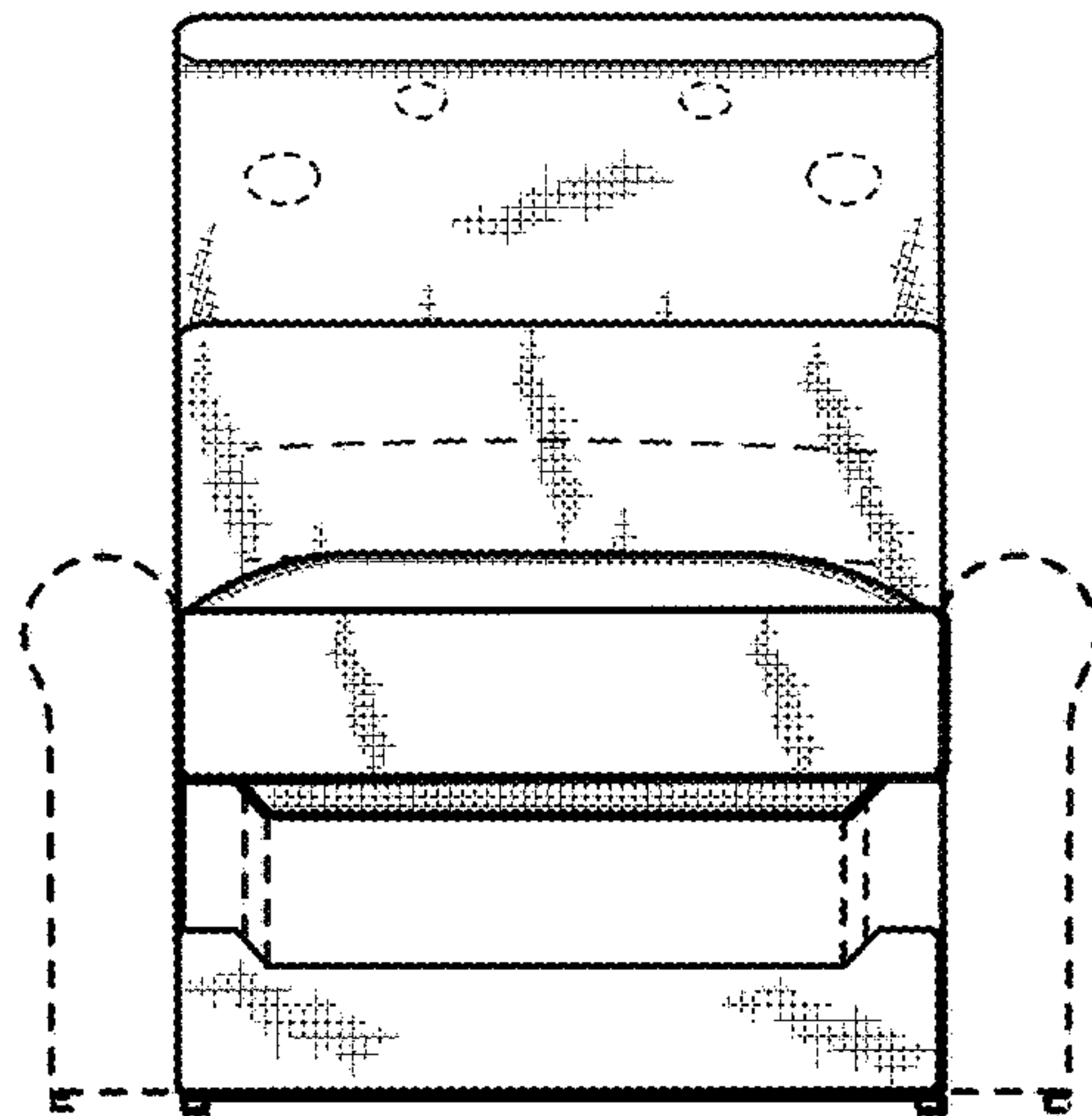


FIG. 33

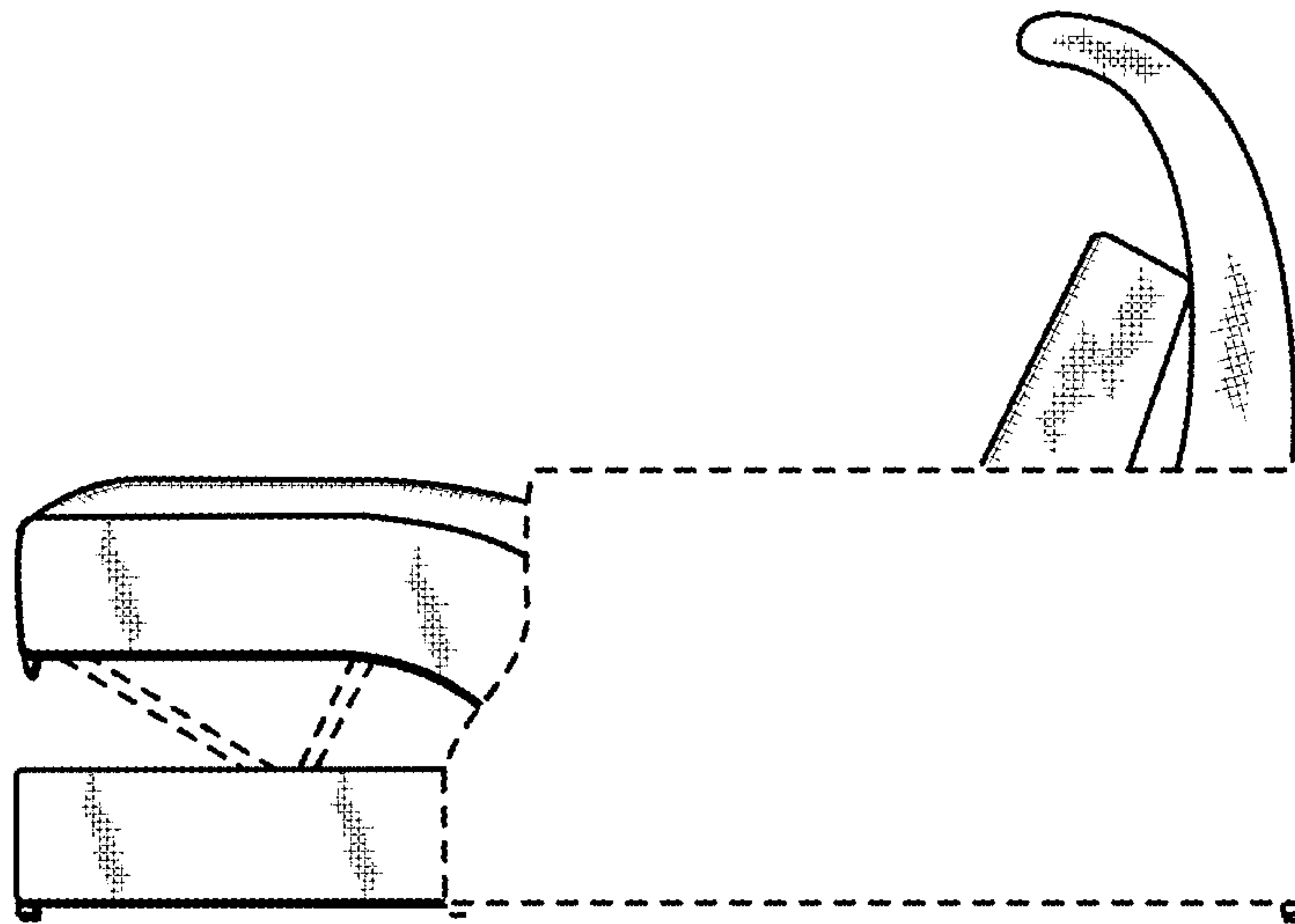


FIG. 34

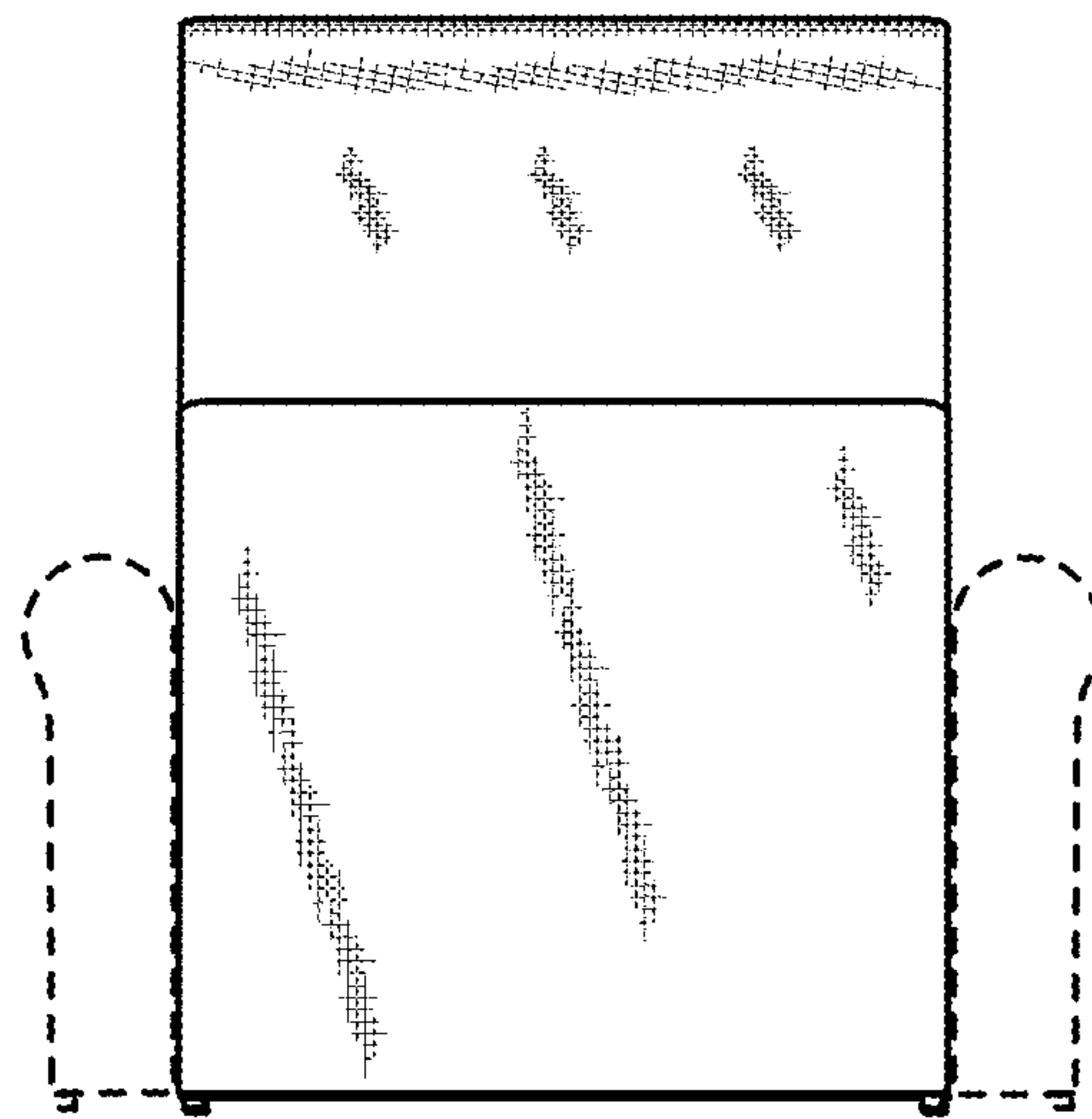


FIG. 35

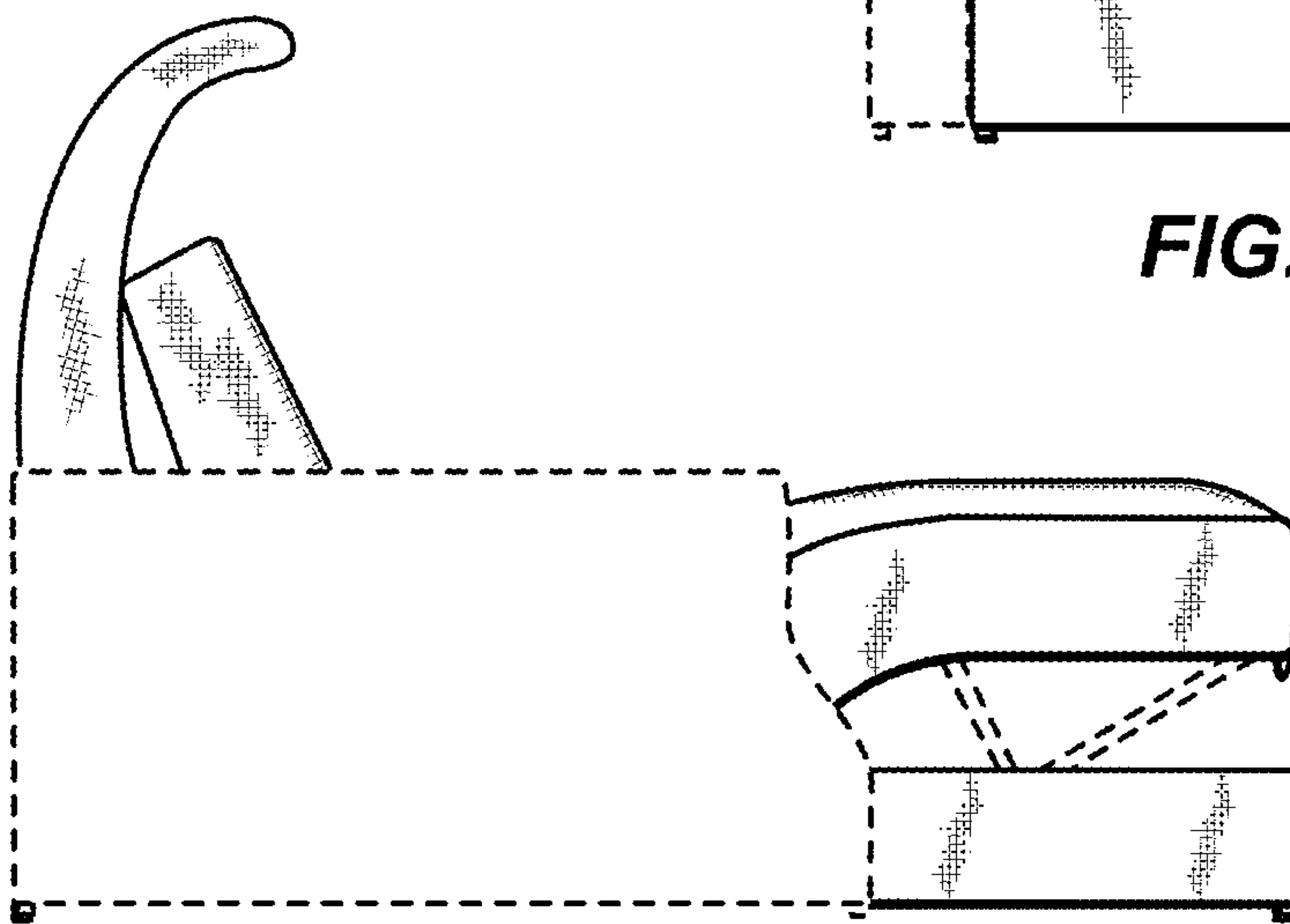


FIG. 36