



US00D806421S

(12) **United States Design Patent**
Contreras

(10) **Patent No.:** **US D806,421 S**

(45) **Date of Patent:** **** Jan. 2, 2018**

(54) **FULLY UPHOLSTERED ADJUSTABLE
CHAISE LOUNGER IN NEUTRAL AND
ZERO GRAVITY POSITIONS**

(71) Applicant: **John S Contreras**, Redondo Beach, CA
(US)

(72) Inventor: **John S Contreras**, Redondo Beach, CA
(US)

(73) Assignee: **Era Nouveau, LLC**, Redondo Beach,
CA (US)

(**) Term: **15 Years**

(21) Appl. No.: **29/590,955**

(22) Filed: **Jan. 13, 2017**

Related U.S. Application Data

(63) Continuation of application No. 29/538,059, filed on
Aug. 31, 2015, now Pat. No. Des. 776,950.

(51) **LOC (11) Cl.** **06-01**

(52) **U.S. Cl.**
USPC **D6/361**

(58) **Field of Classification Search**

USPC D6/334-336, 361, 367, 374, 375, 377,
D6/716, 716.1, 716.2, 716.4

CPC .. A47C 7/50; A47C 7/506; A47C 7/18; A47C
7/24; A47C 7/022

See application file for complete search history.

(56) **References Cited**

U.S. PATENT DOCUMENTS

D165,717 S *	1/1952	Maurer	D6/361
D166,049 S *	2/1952	Rudin et al.	D6/361
D166,398 S *	4/1952	Laskowitz	D6/361
D166,585 S *	4/1952	Bell	D6/361
D166,983 S *	6/1952	Laskowitz	D6/361
D167,761 S *	9/1952	Luckhardt	D6/361
D172,378 S *	6/1954	Bell	D6/361

D175,624 S *	9/1955	Laskowitz	D6/361
D182,842 S *	5/1958	Lubberts et al.	D6/361
D186,813 S *	12/1959	Maurer	D6/361
D188,785 S *	9/1960	Maurer	D6/361
D188,786 S *	9/1960	Maurer	D6/361
D190,281 S *	5/1961	Sher	D6/361
D202,887 S *	11/1965	Melchior	D6/361
D225,289 S *	12/1972	Perno	D6/361
D269,482 S *	6/1983	Ungaro	D6/361
D308,768 S *	6/1990	Ferro	D6/361

(Continued)

Primary Examiner — Mimosa De

(74) *Attorney, Agent, or Firm* — Kwan & Olynick LLP

(57) **CLAIM**

The ornamental design for a fully upholstered adjustable chaise lounge in neutral and zero gravity positions, as shown and described.

DESCRIPTION

FIG. 1 is a perspective view of a fully upholstered adjustable chaise lounge in neutral position from the front, top, and left sides;

FIG. 2 is a top view thereof;

FIG. 3 is a front view thereof;

FIG. 4 is a right side view thereof;

FIG. 5 is a rear view thereof;

FIG. 6 is a left side view thereof;

FIG. 7 is a perspective view of a fully upholstered adjustable chaise lounge in zero gravity position from the front, top, and left sides;

FIG. 8 is a top view thereof;

FIG. 9 is a front view thereof;

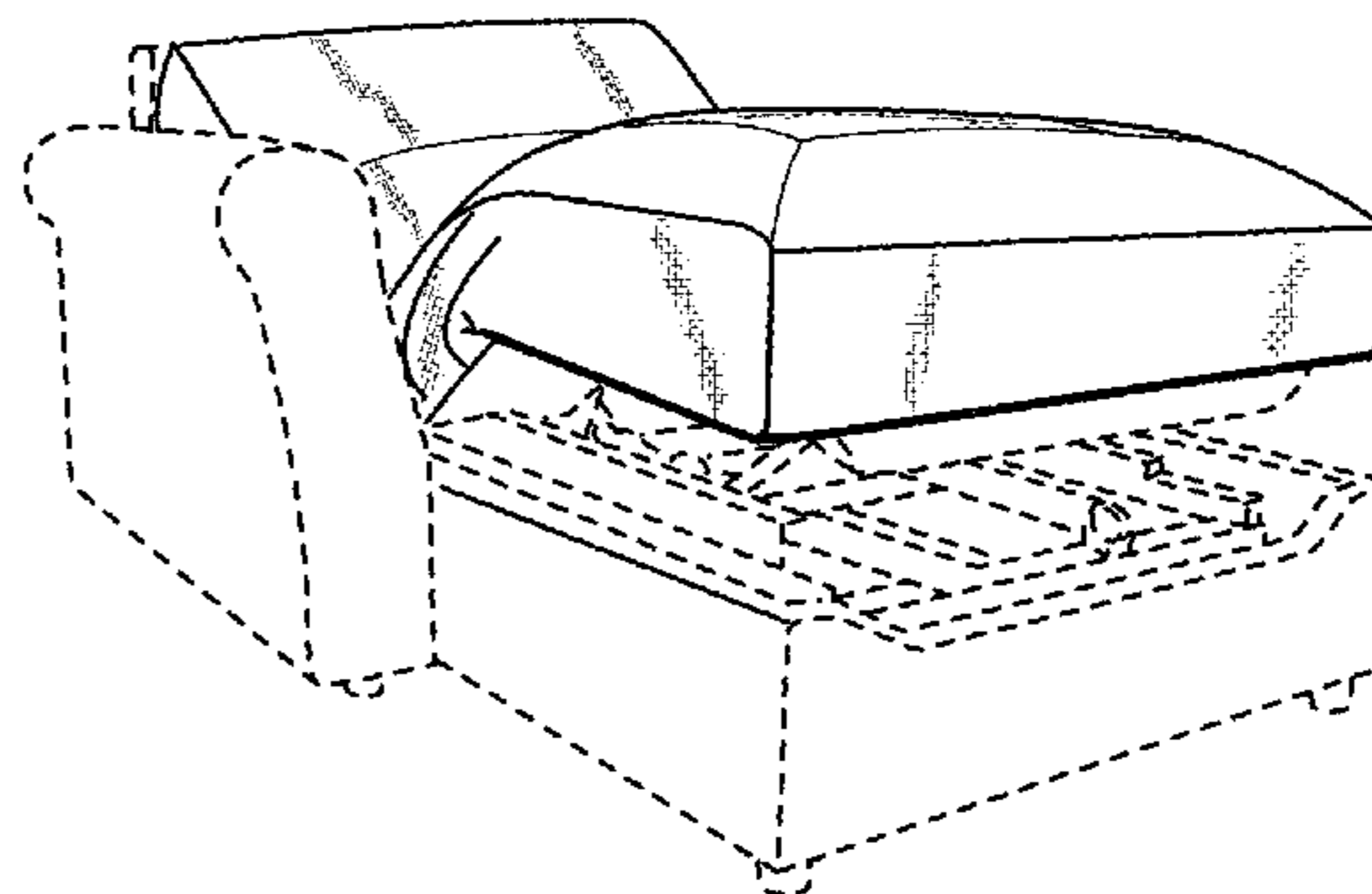
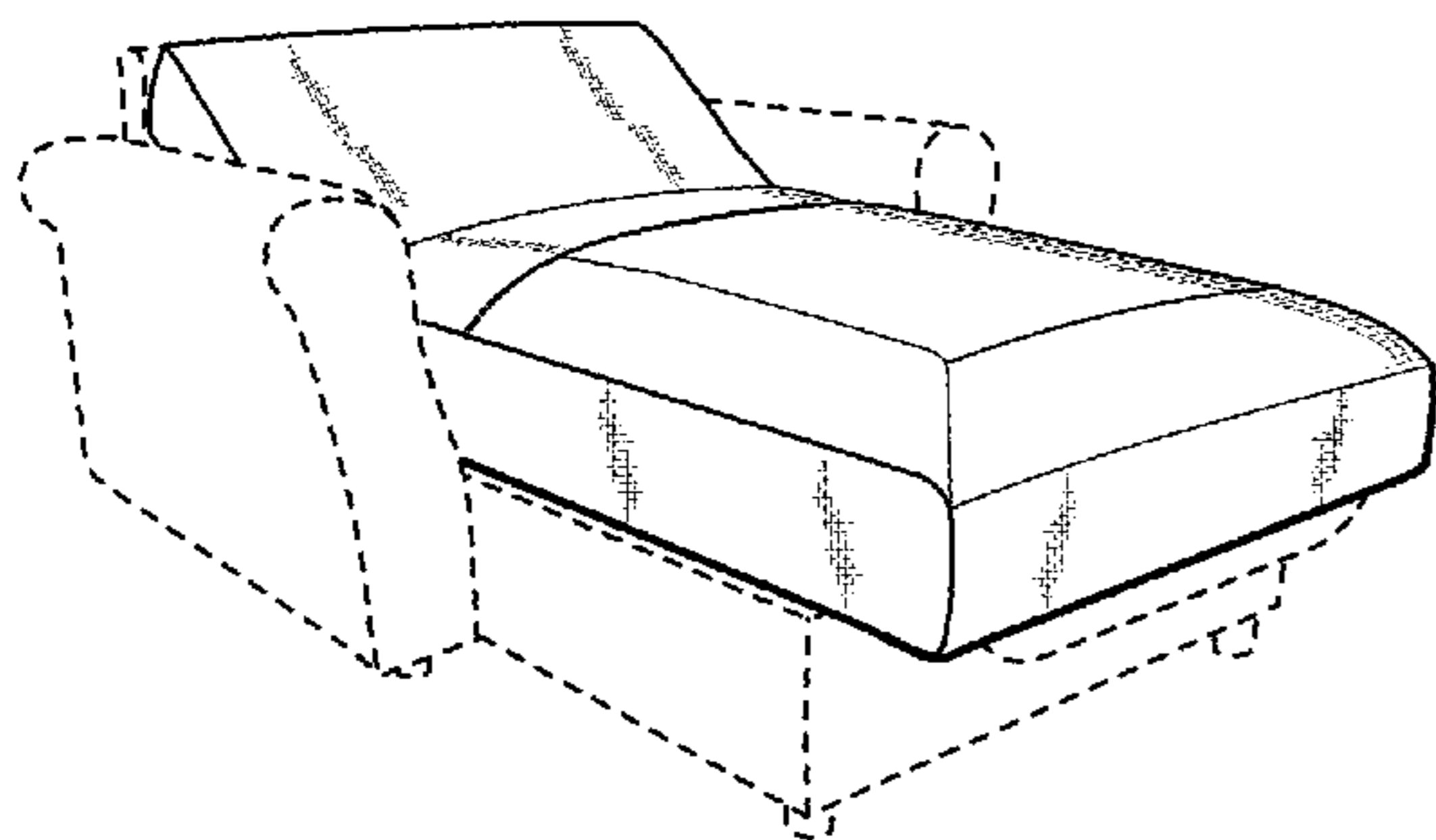
FIG. 10 is a right side view thereof;

FIG. 11 is a rear view thereof; and,

FIG. 12 is a left side view thereof.

The broken lines shown in the drawing are for the purpose of illustrating environmental structure and form no part of the claimed design.

1 Claim, 4 Drawing Sheets



(56)

References Cited

U.S. PATENT DOCUMENTS

D313,129 S	*	12/1990	Ferro	D6/361
D387,572 S	*	12/1997	Lewis	D6/361
D400,364 S	*	11/1998	Hutton	D6/361
D434,237 S	*	11/2000	Binder	D6/361
D776,443 S	*	1/2017	Contreras	D6/361
D776,444 S	*	1/2017	Contreras	D6/361
D776,445 S	*	1/2017	Contreras	D6/361
D776,950 S	*	1/2017	Contreras	D6/361

* cited by examiner

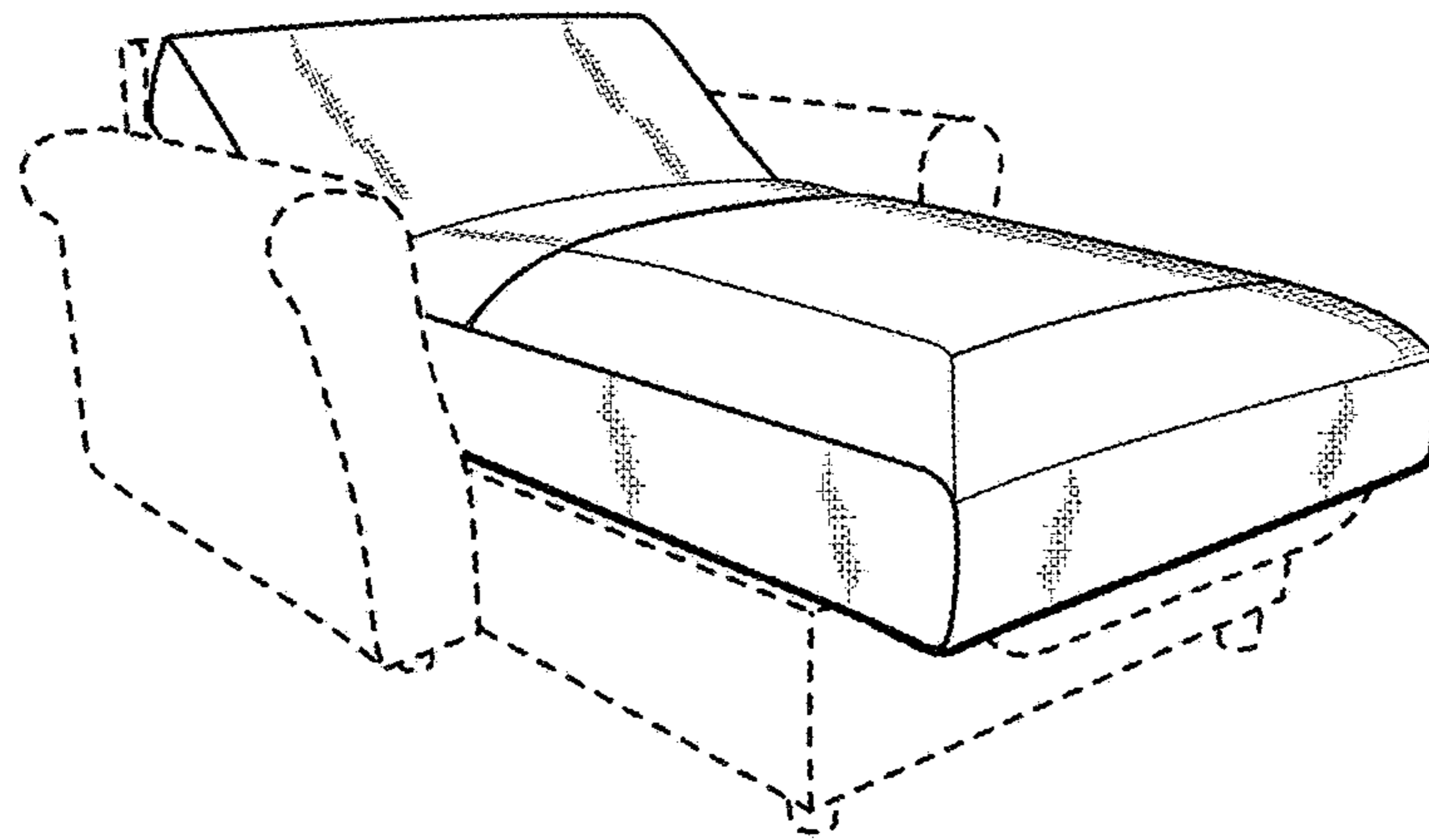


FIG. 1

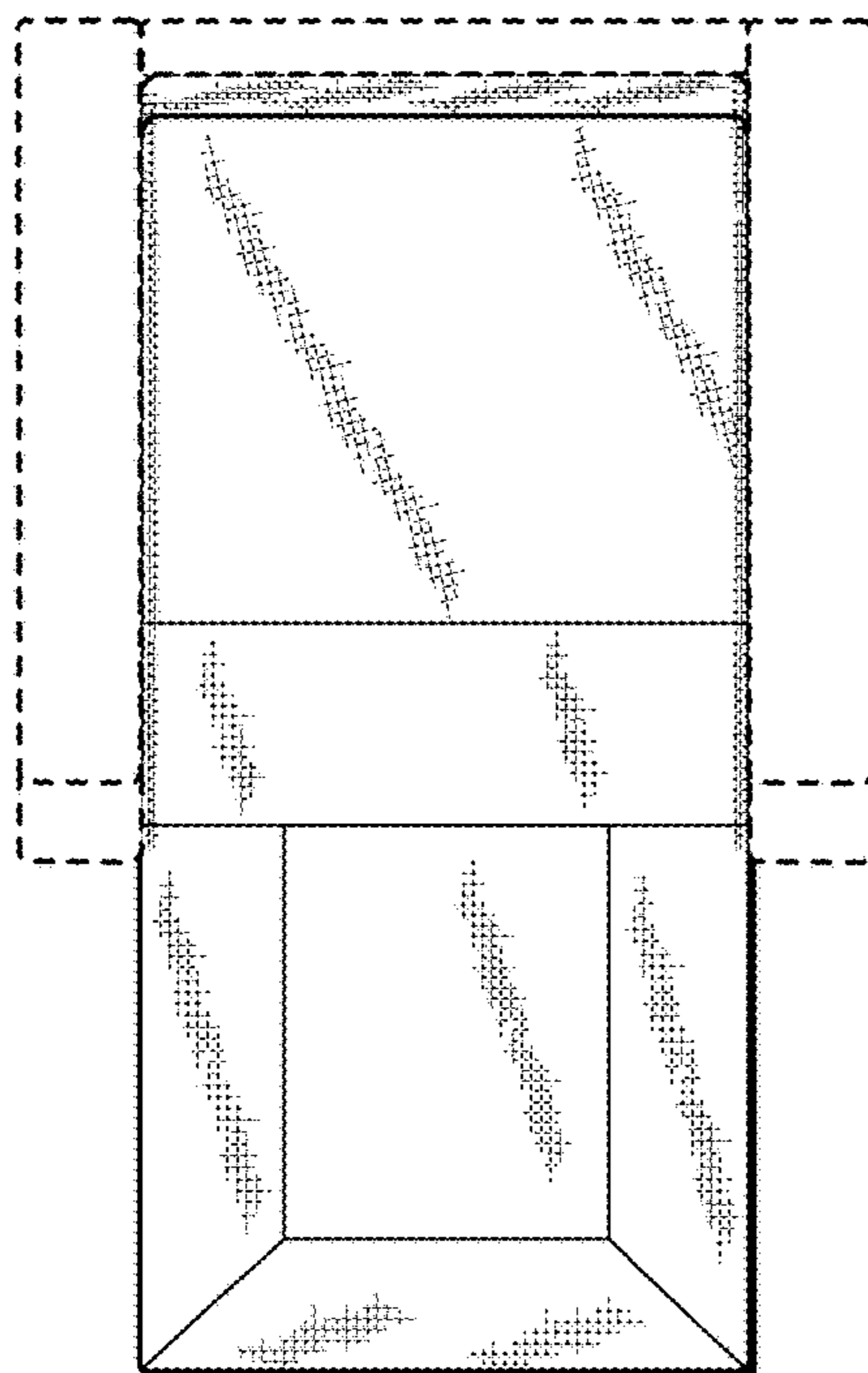


FIG. 2

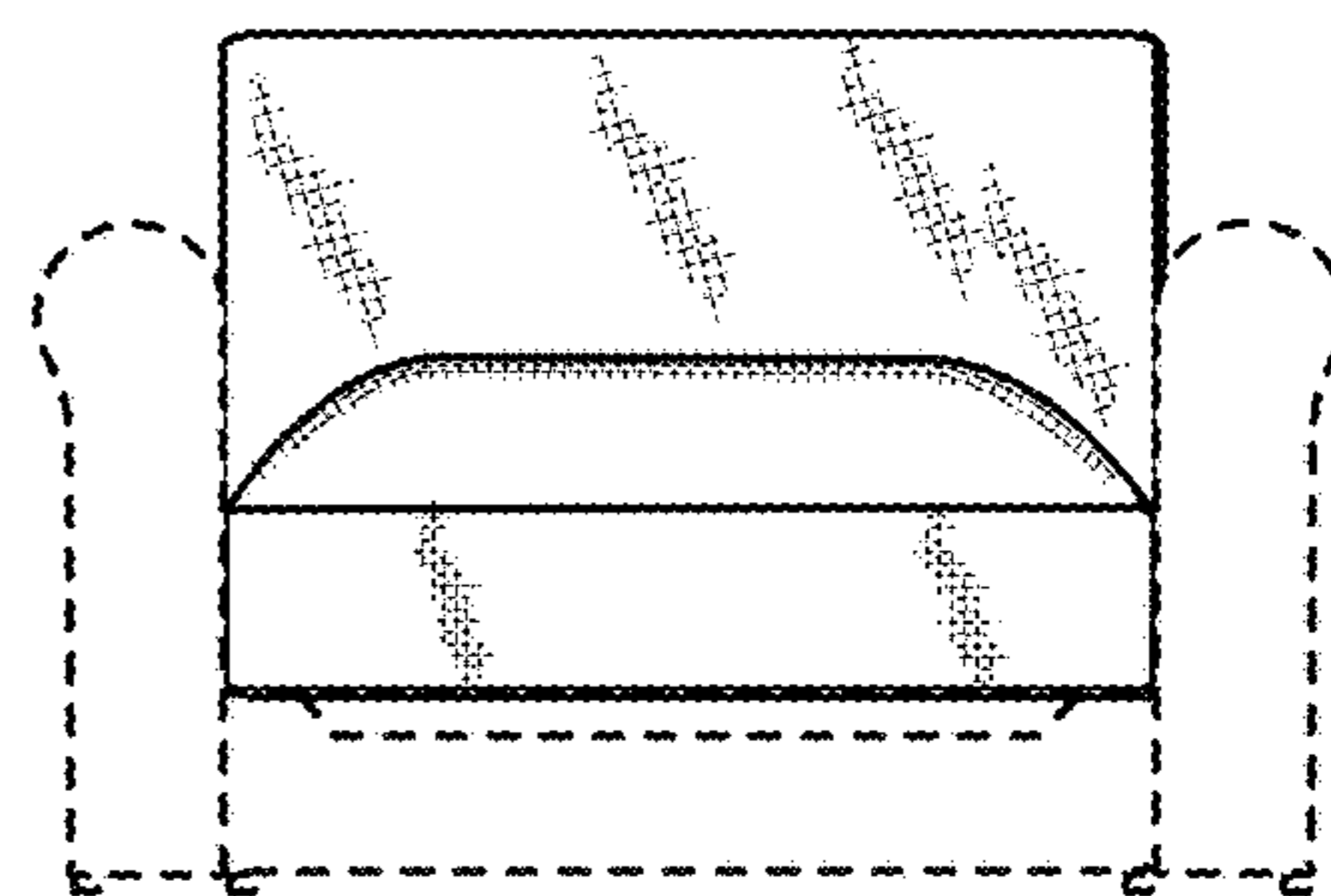


FIG. 3

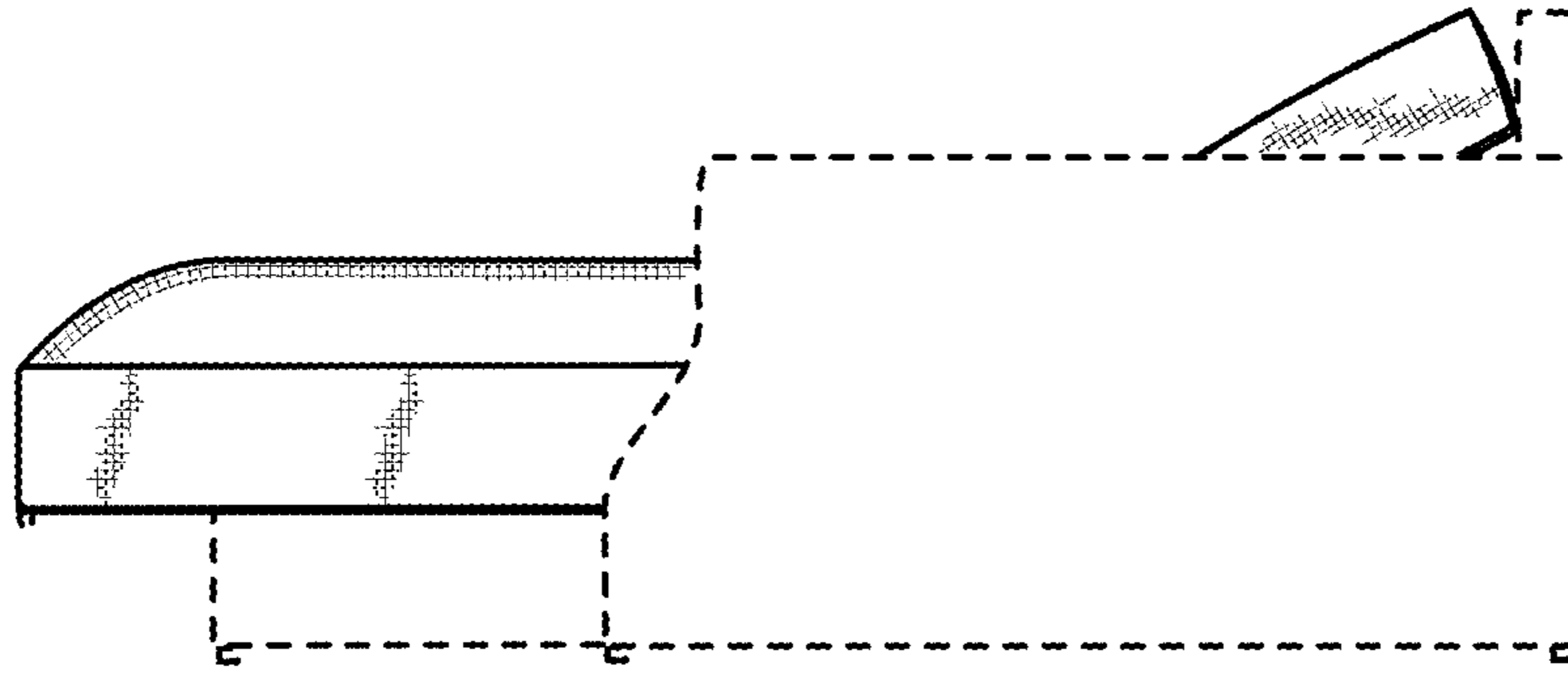


FIG. 4

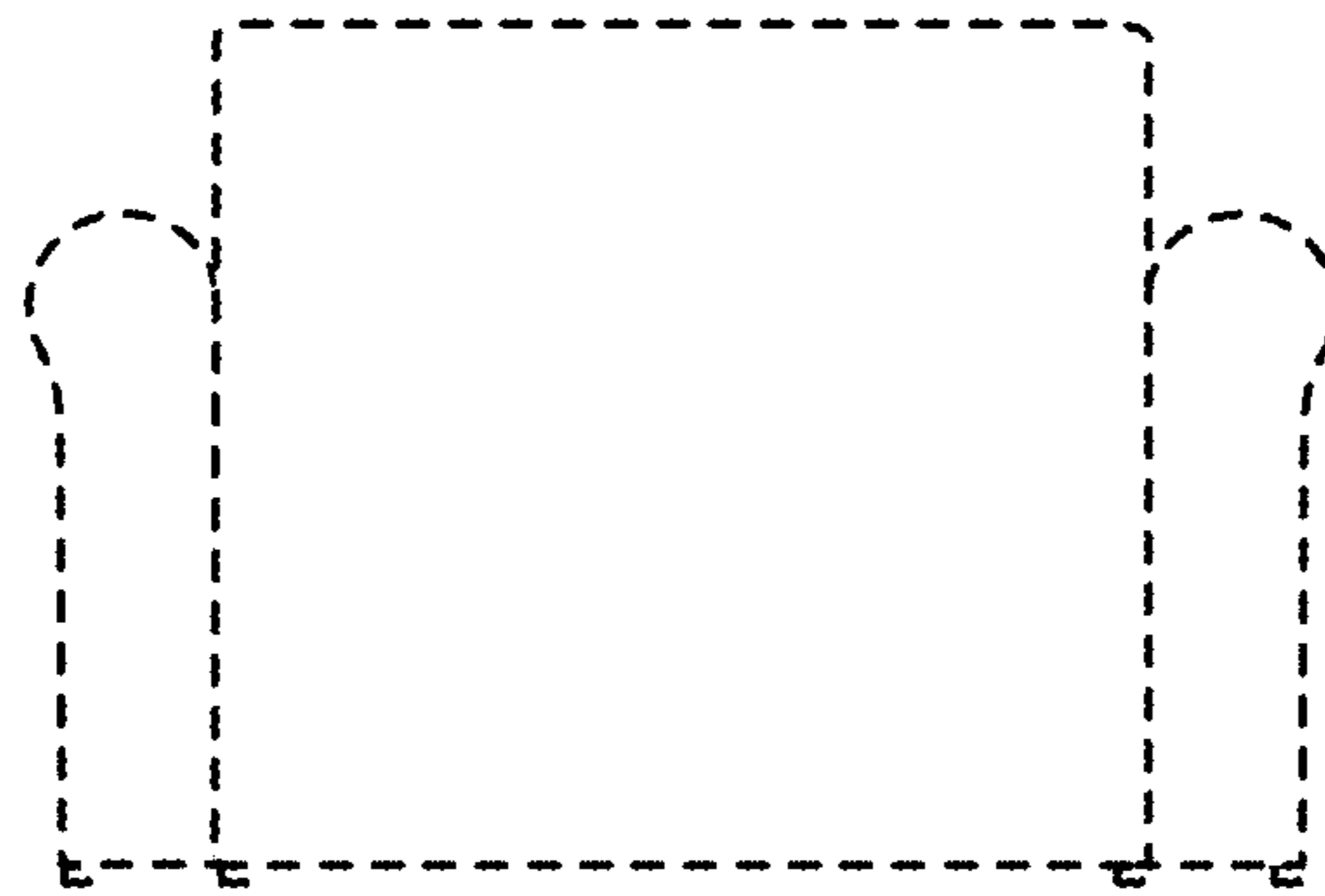


FIG. 5

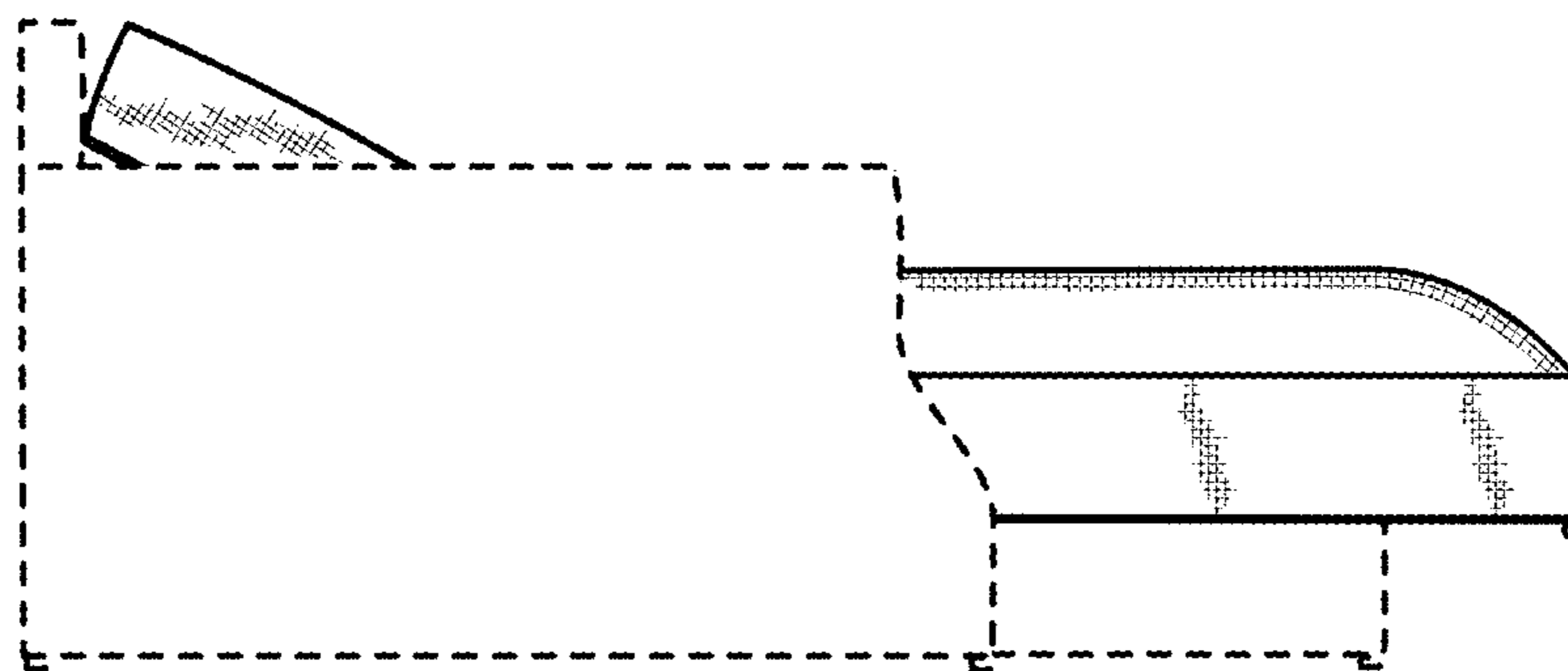


FIG. 6

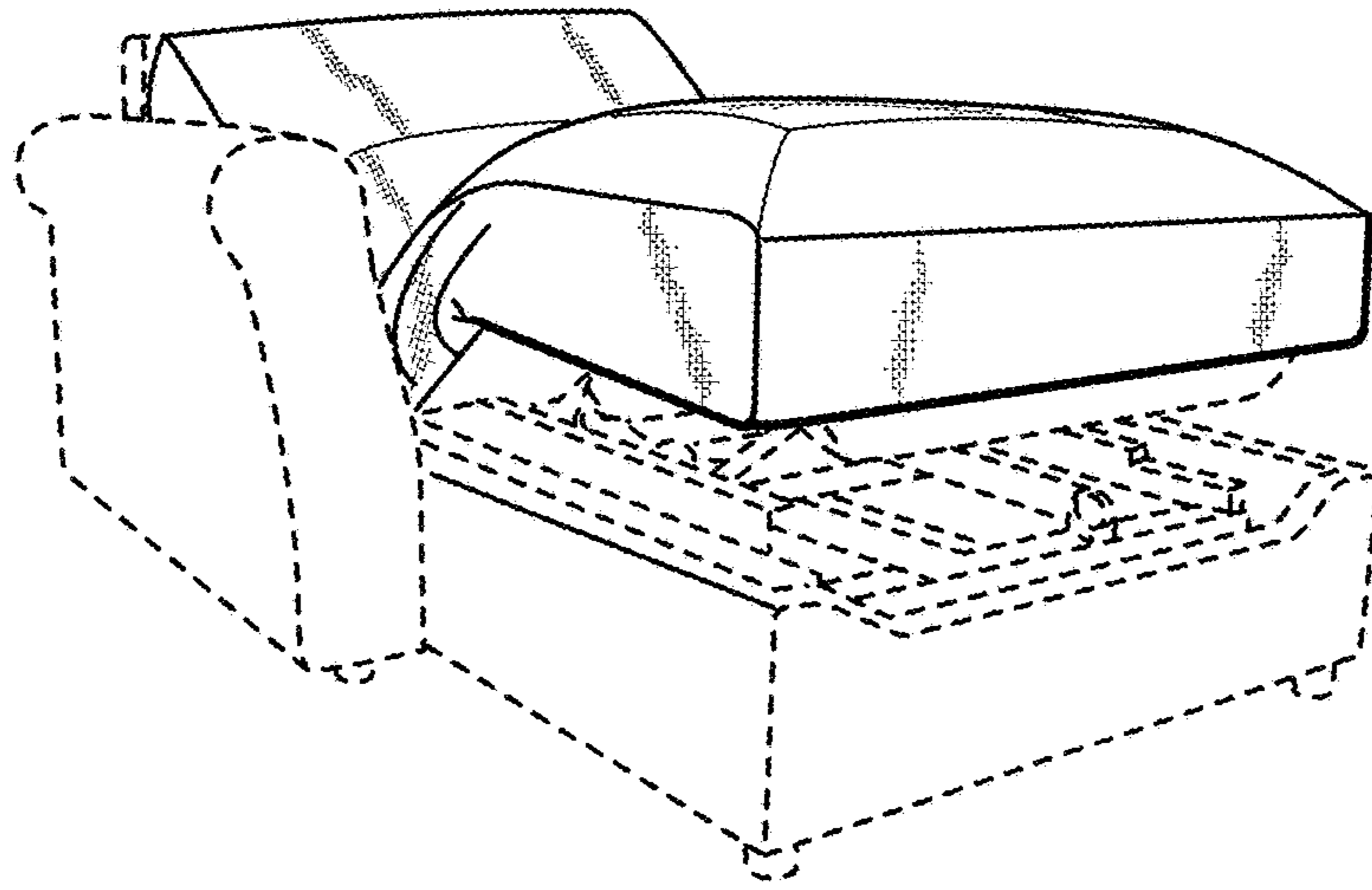


FIG. 7

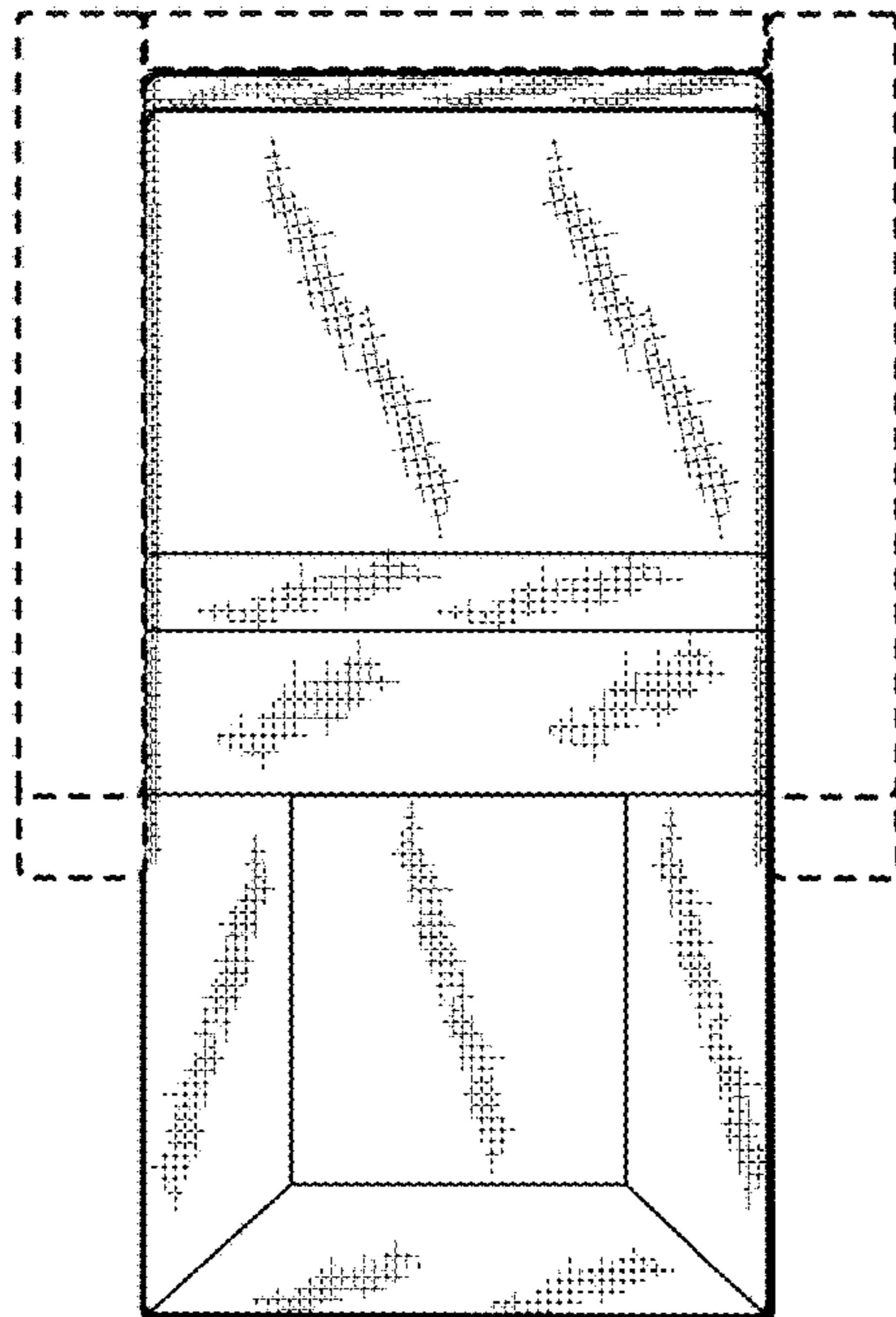


FIG. 8

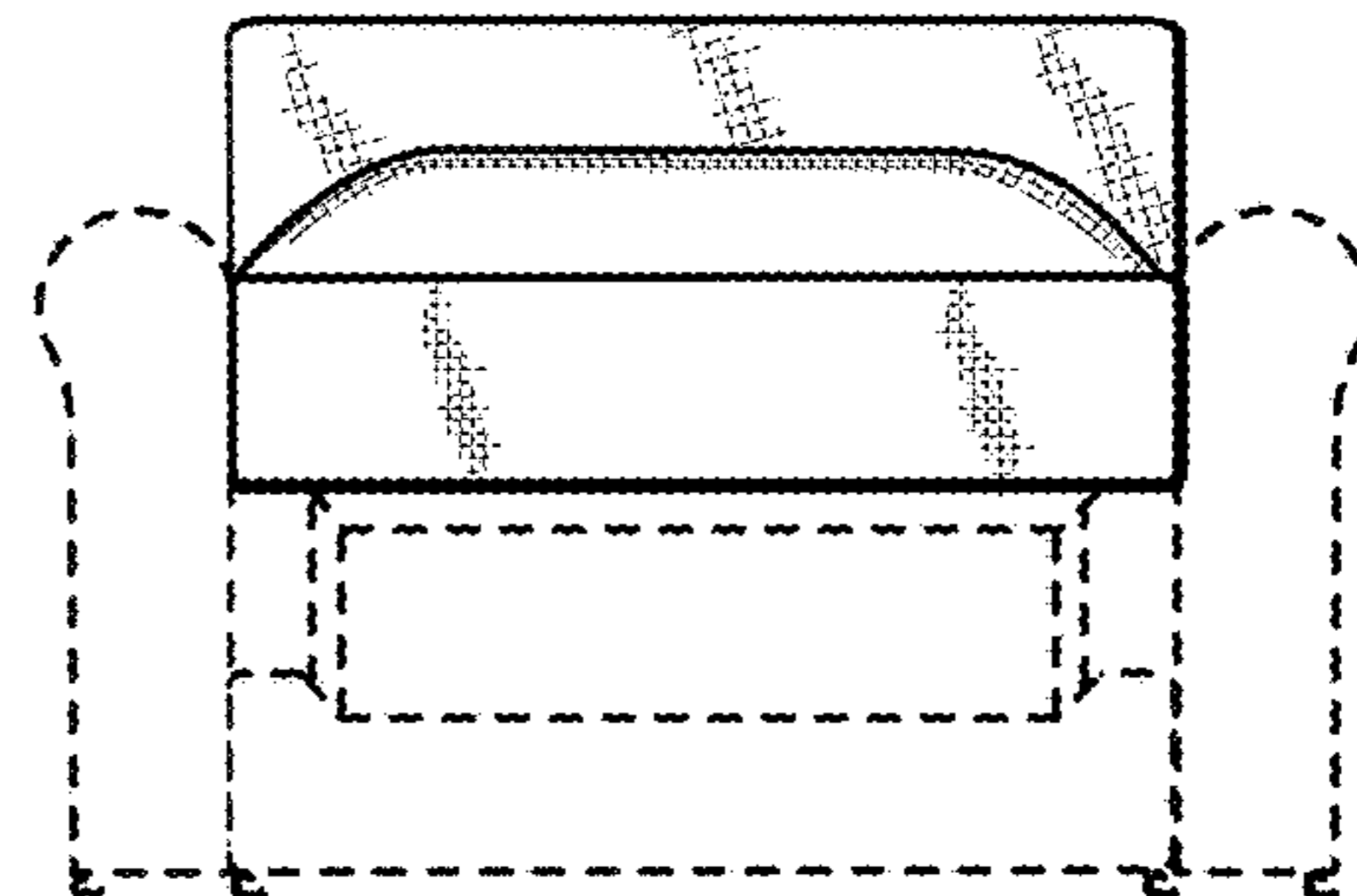


FIG. 9

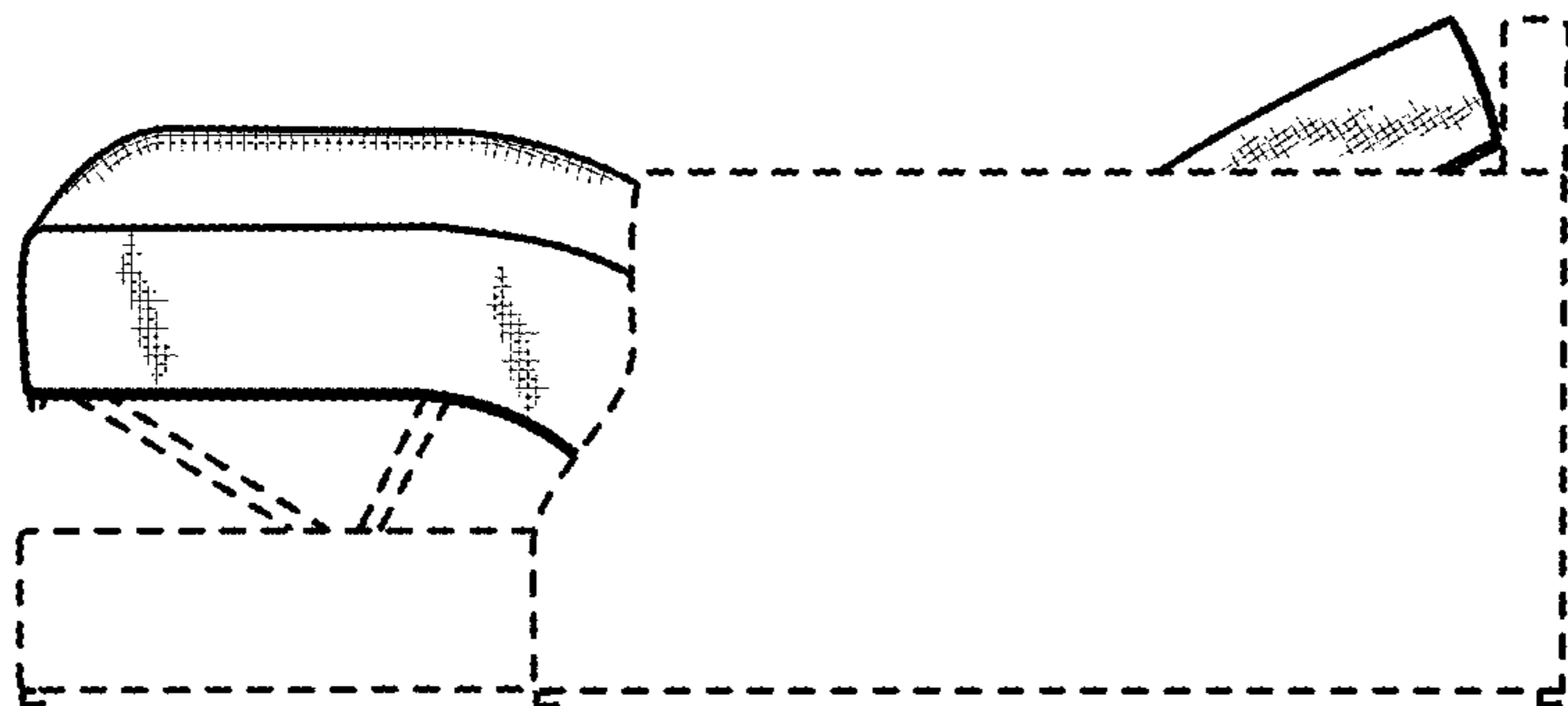


FIG. 10



FIG. 11

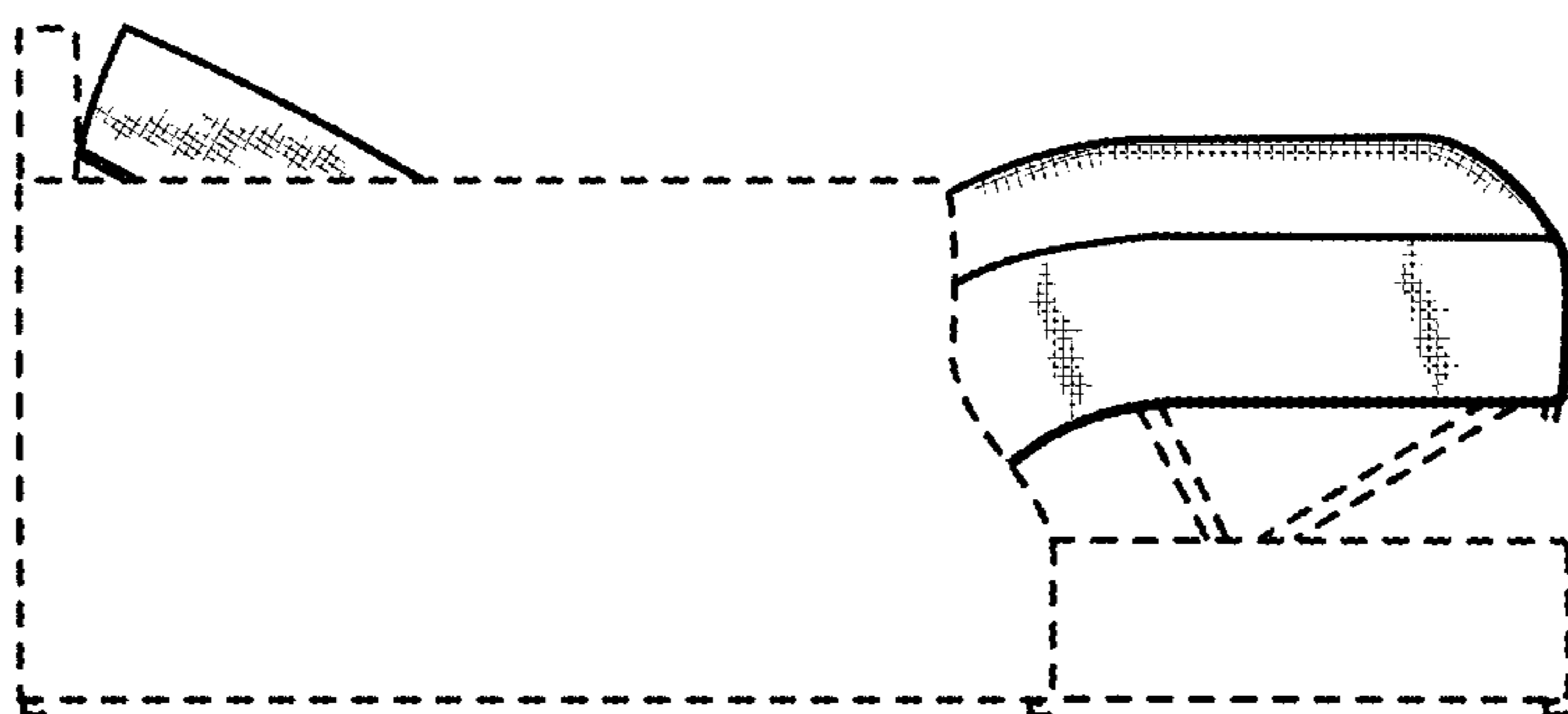


FIG. 12