



US00D806420S

(12) **United States Design Patent**  
**Contreras**

(10) **Patent No.:** **US D806,420 S**  
(45) **Date of Patent:** **\*\* Jan. 2, 2018**

(54) **FULLY UPHOLSTERED ADJUSTABLE CHAISE LOUNGER IN LAY FLAT AND SEATED POSITIONS WITH ELEVATED CHAISE**

(71) Applicant: **John S Contreras**, Redondo Beach, CA (US)

(72) Inventor: **John S Contreras**, Redondo Beach, CA (US)

(73) Assignee: **Era Nouveau, LLC**, Redondo Beach, CA (US)

(\*\*) Term: **15 Years**

(21) Appl. No.: **29/590,954**

(22) Filed: **Jan. 13, 2017**

**Related U.S. Application Data**

(63) Continuation-in-part of application No. 29/522,663, filed on Apr. 1, 2015, now Pat. No. Des. 776,444, and a continuation-in-part of application No. 29/522,665, filed on Apr. 1, 2015, now Pat. No. Des. 776,445.

(51) **LOC (11) Cl.** ..... **06-01**

(52) **U.S. Cl.**  
USPC ..... **D6/361**

(58) **Field of Classification Search**  
USPC ..... D6/334-336, 361, 367, 374, 375, 377, D6/716, 716.1, 716.2, 716.4  
CPC .. A47C 7/50; A47C 7/506; A47C 7/18; A47C 7/24; A47C 7/022  
See application file for complete search history.

(56) **References Cited**

**U.S. PATENT DOCUMENTS**

D165,717 S \* 1/1952 Maurer ..... D6/361  
D166,049 S \* 2/1952 Rudin et al. .... D6/361  
D166,398 S \* 4/1952 Laskowitz ..... D6/361

D166,585 S \* 4/1952 Bell ..... D6/361  
D172,378 S \* 6/1954 Bell ..... D6/361  
D175,624 S \* 9/1955 Laskowitz ..... D6/361  
D190,281 S \* 5/1961 Sher ..... D6/361  
D308,768 S \* 6/1990 Ferro ..... D6/361  
D313,129 S \* 12/1990 Ferro ..... D6/361  
D776,443 S \* 1/2017 Contreras ..... D6/361  
D776,444 S \* 1/2017 Contreras ..... D6/361  
D776,445 S \* 1/2017 Contreras ..... D6/361  
D776,950 S \* 1/2017 Contreras ..... D6/361

\* cited by examiner

*Primary Examiner* — Mimosa De

(74) *Attorney, Agent, or Firm* — Kwan & Olynick LLP

(57) **CLAIM**

The ornamental design for a fully upholstered adjustable chaise lounger in lay flat and seated positions with elevated chaise, as shown and described.

**DESCRIPTION**

FIG. 1 is a perspective view of a fully upholstered adjustable chaise lounger in lay flat position with elevated chaise showing front, top, and left sides;

FIG. 2 is a top view thereof;

FIG. 3 is a front view thereof;

FIG. 4 is a right side view thereof;

FIG. 5 is a rear view thereof;

FIG. 6 is a left side view thereof;

FIG. 7 is a perspective view of a fully upholstered adjustable chaise lounger in seated position with elevated chaise showing front, top, and left sides;

FIG. 8 is a top view thereof;

FIG. 9 is a front view thereof;

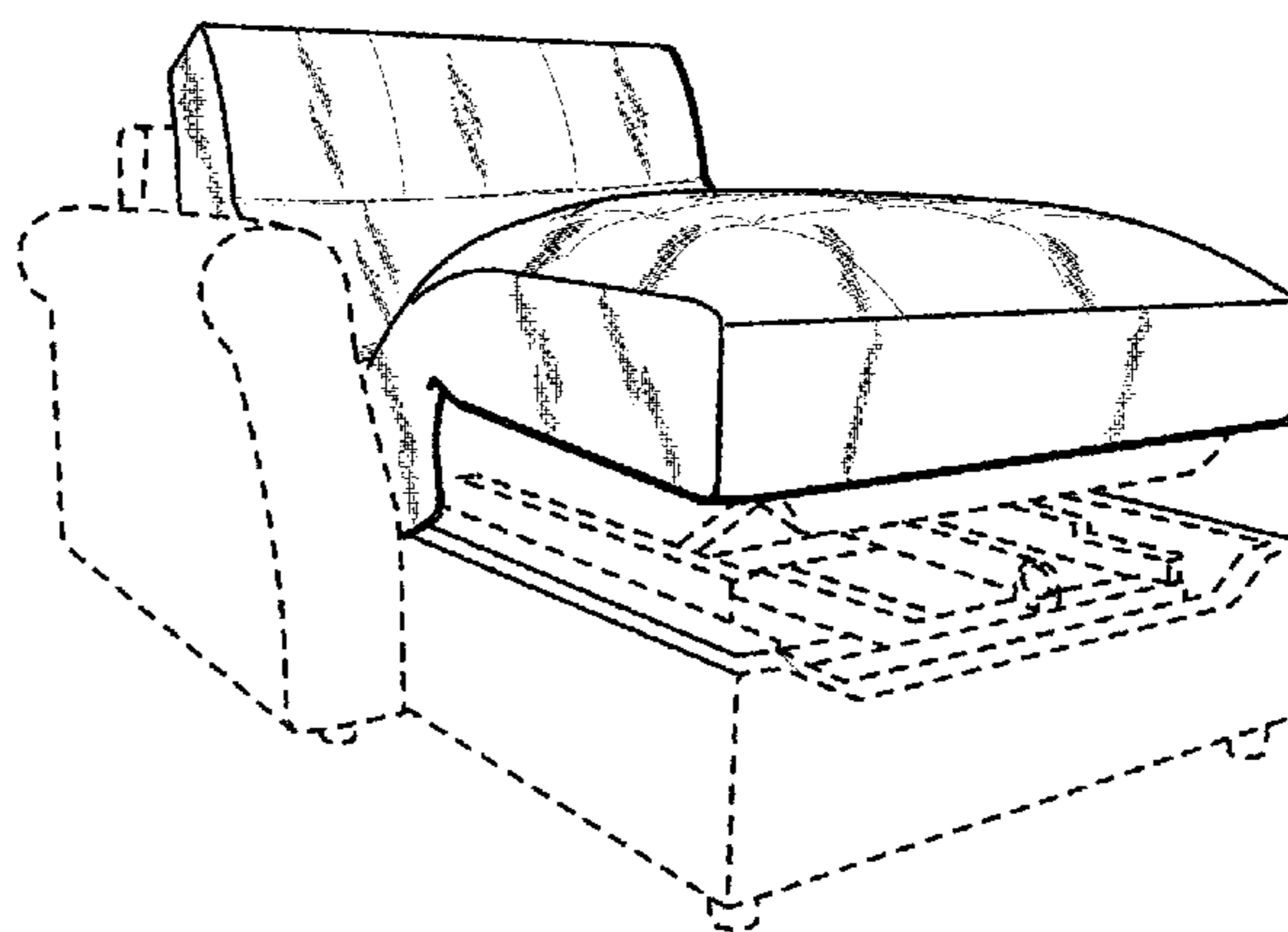
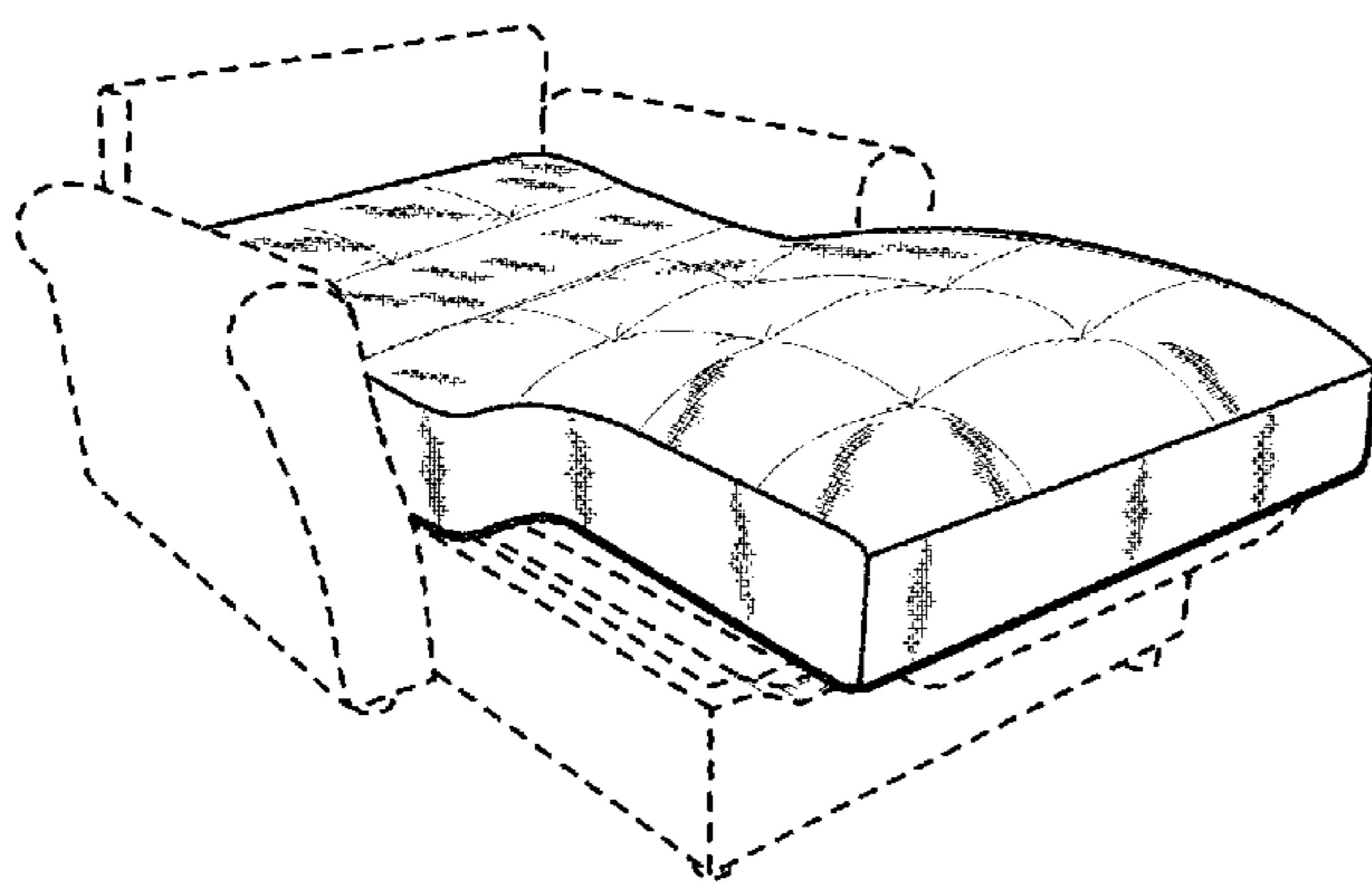
FIG. 10 is a right side view thereof;

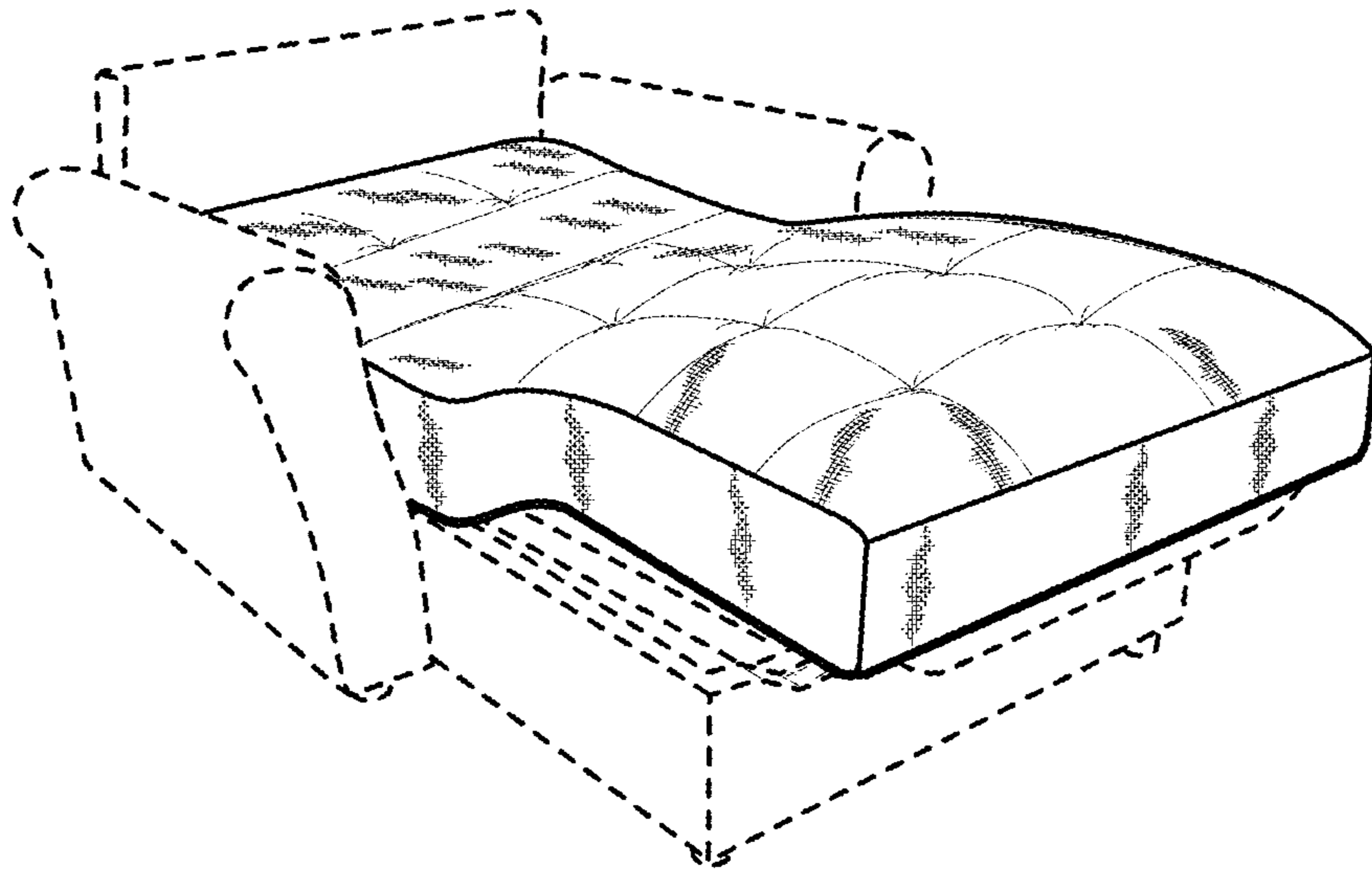
FIG. 11 is a rear view thereof; and,

FIG. 12 is a left side view thereof.

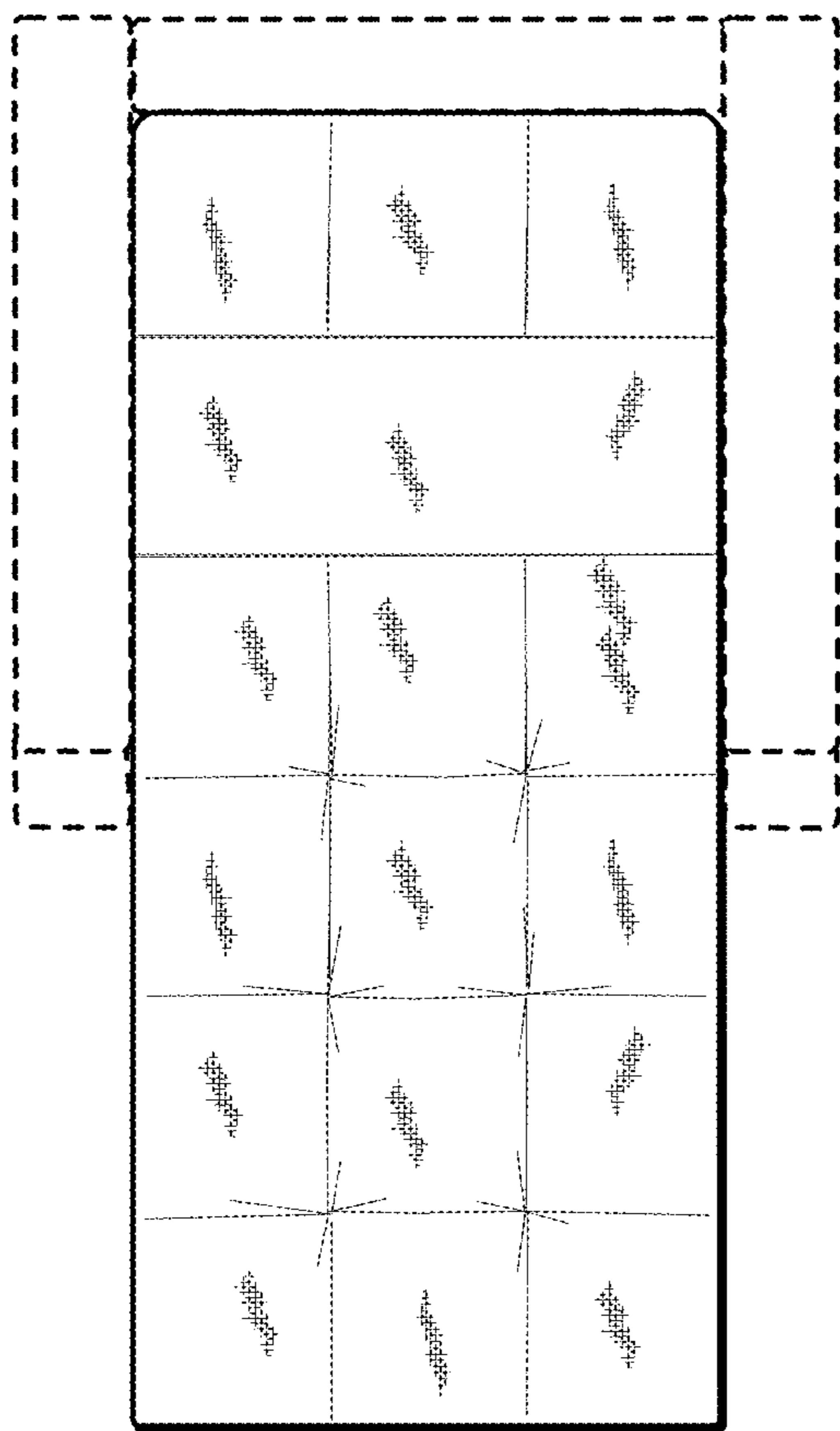
The broken lines shown in the drawing are for the purpose of illustrating environmental structure and form no part of the claimed design.

**1 Claim, 4 Drawing Sheets**

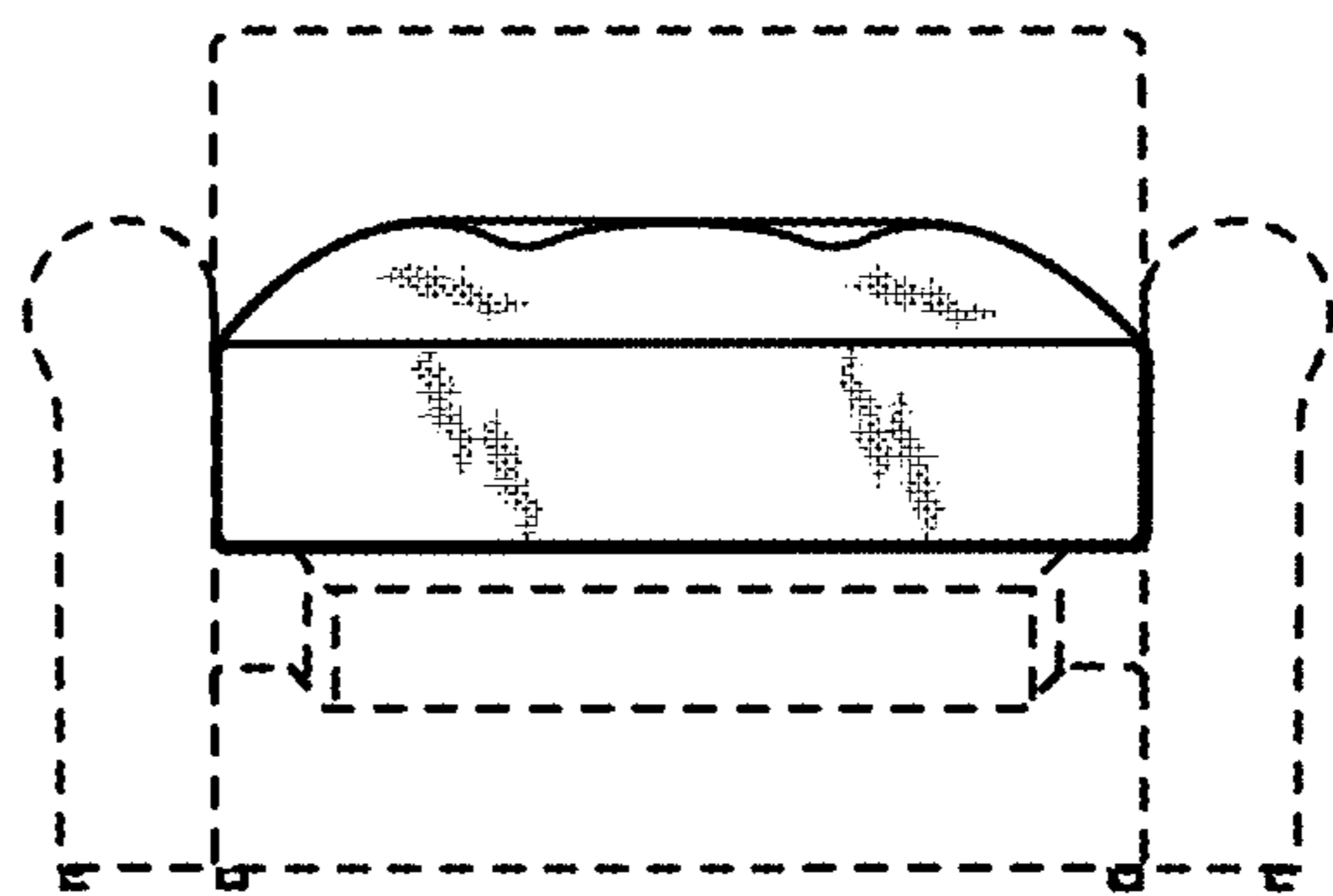




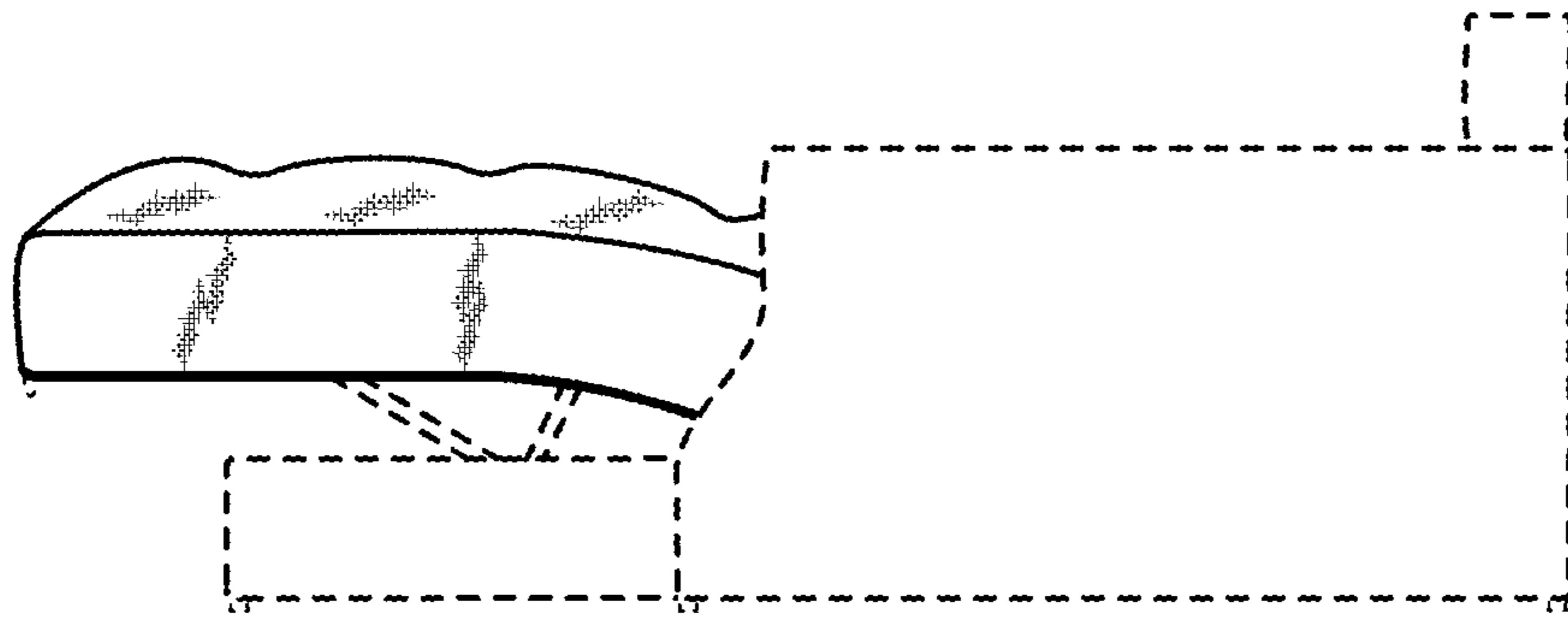
**FIG. 1**



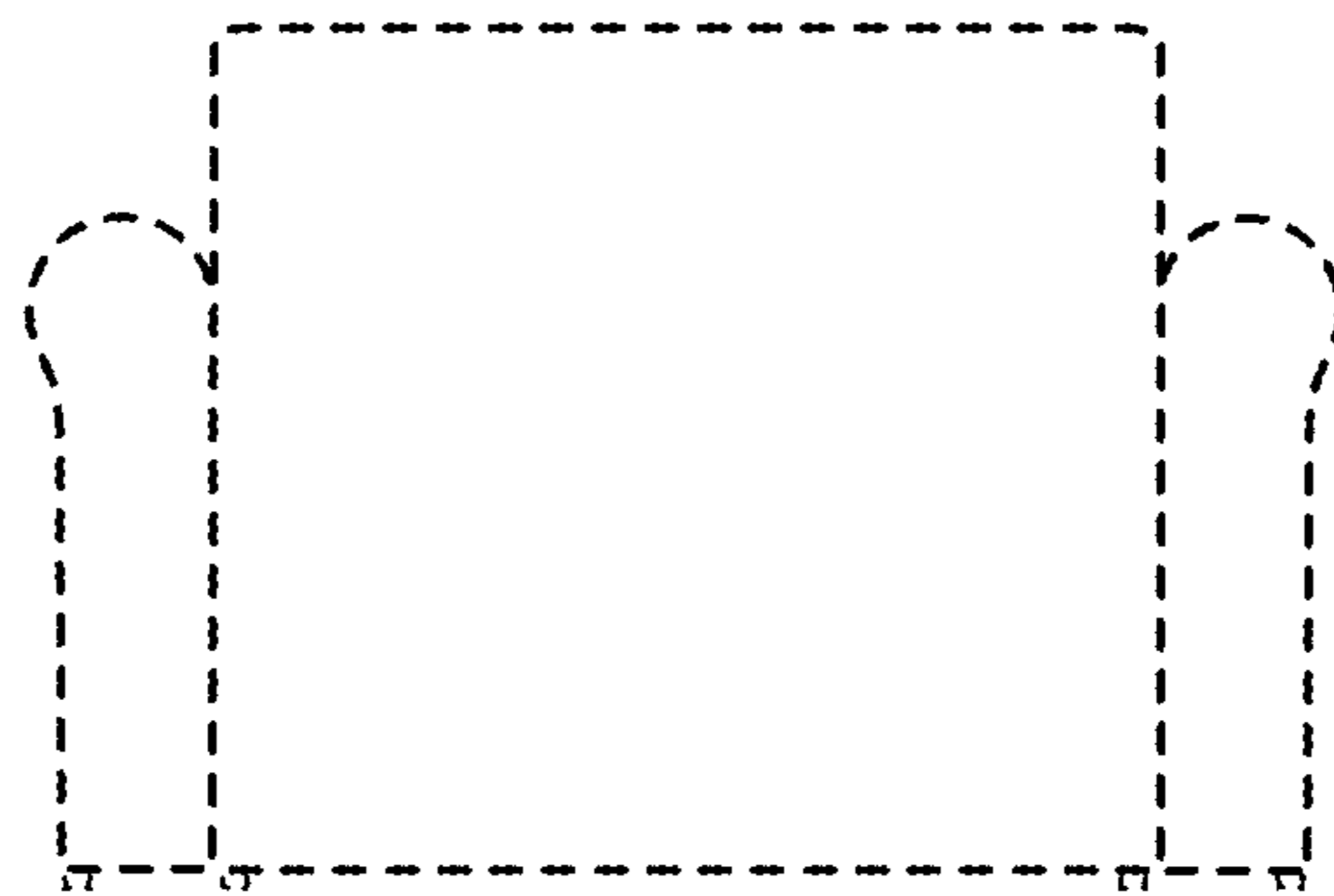
**FIG. 2**



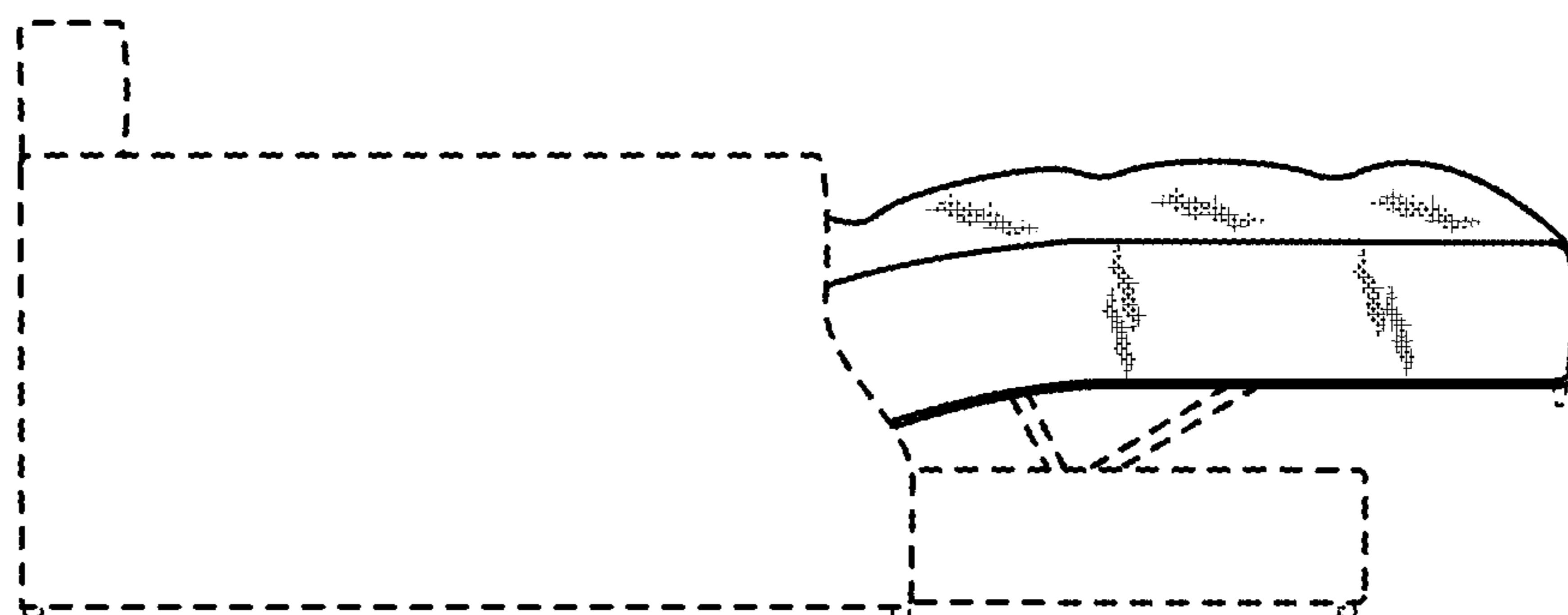
**FIG. 3**



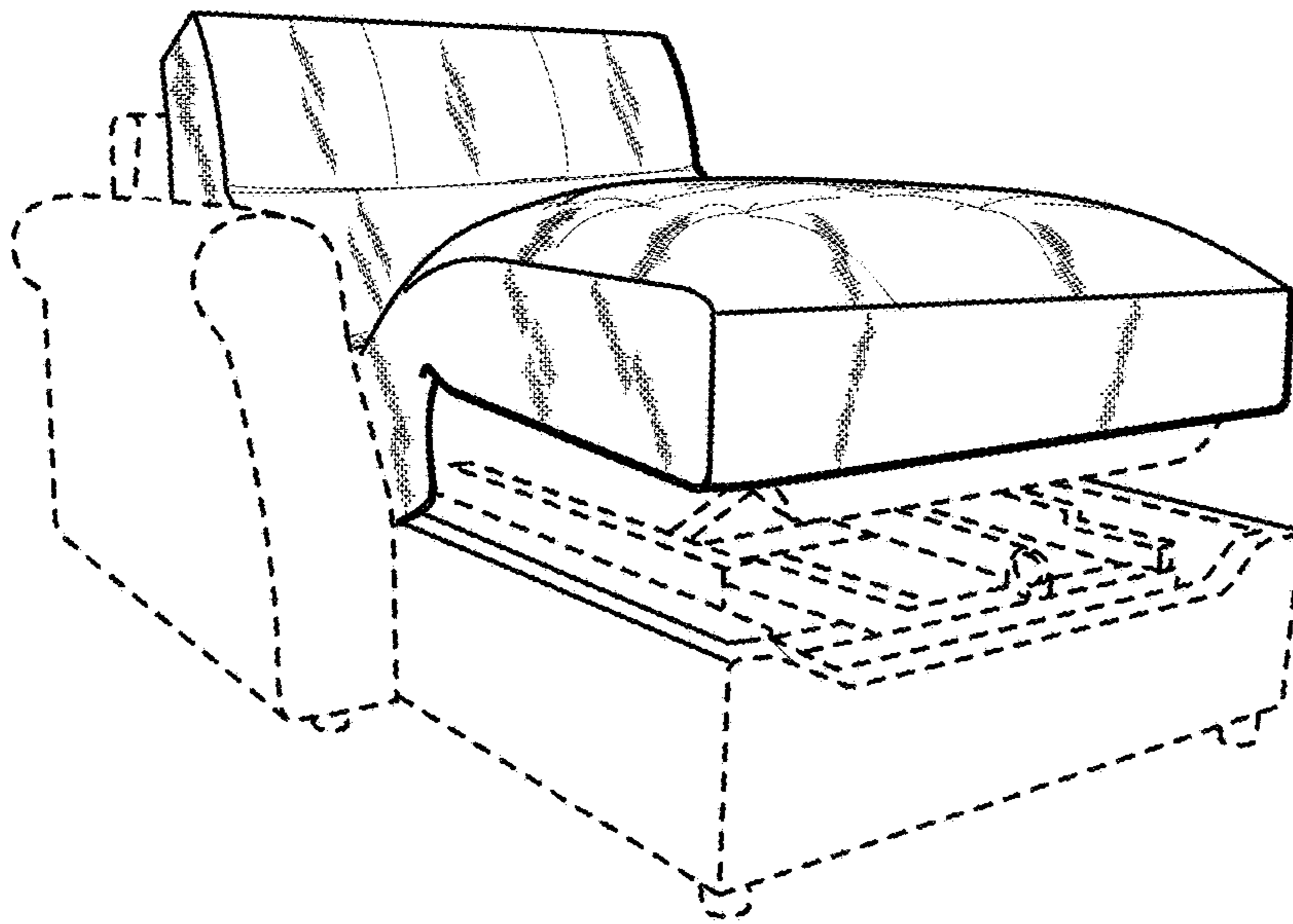
**FIG. 4**



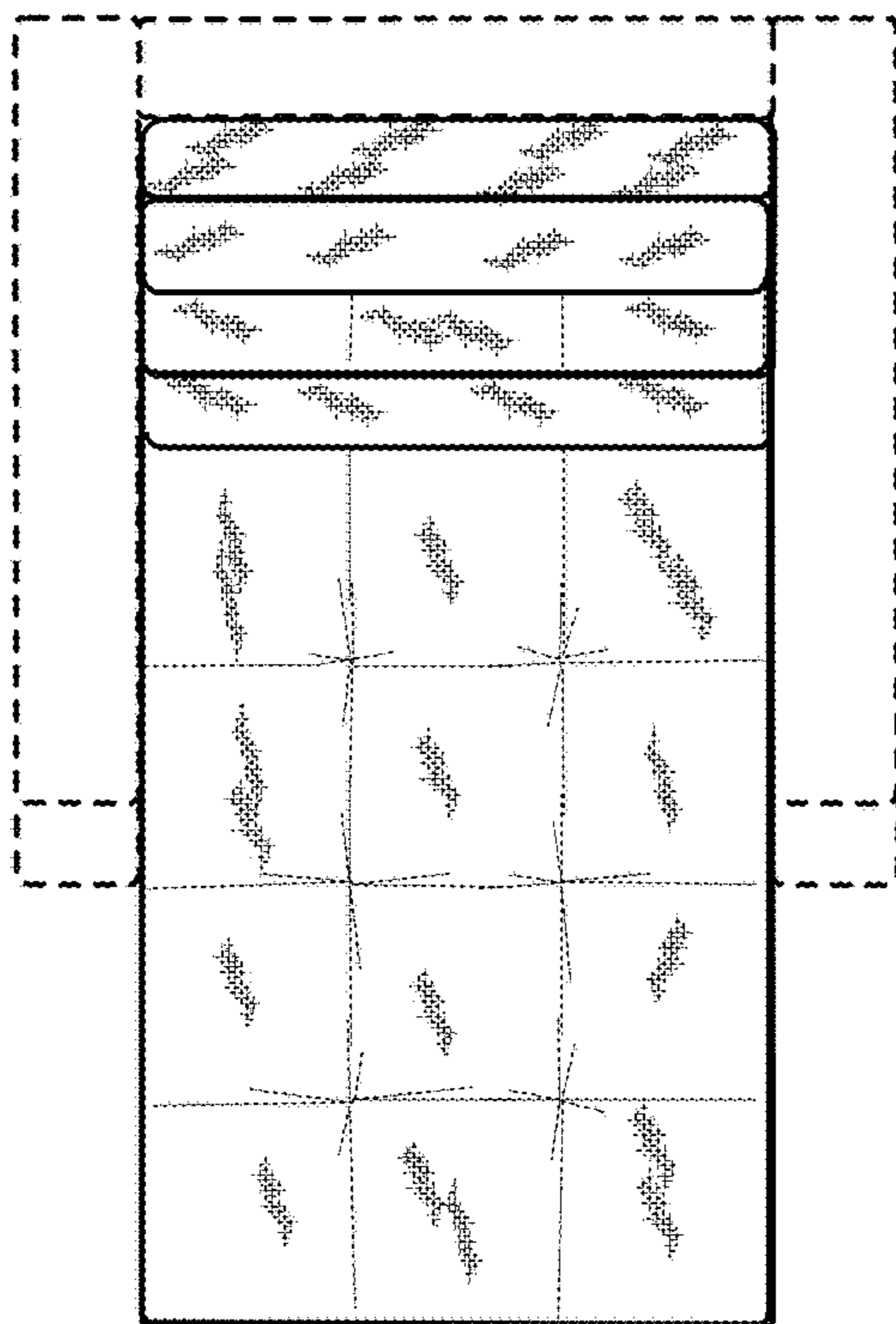
**FIG. 5**



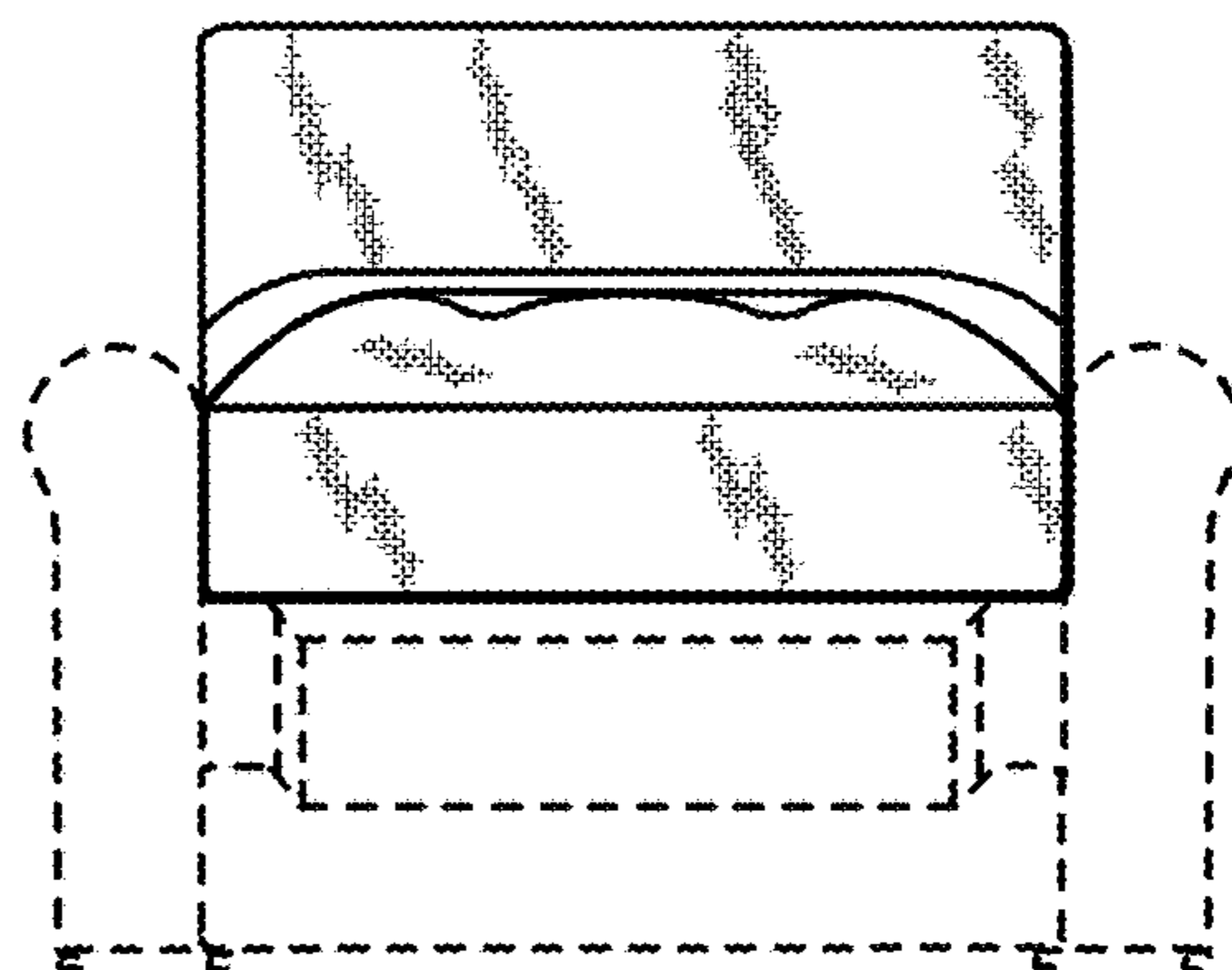
**FIG. 6**



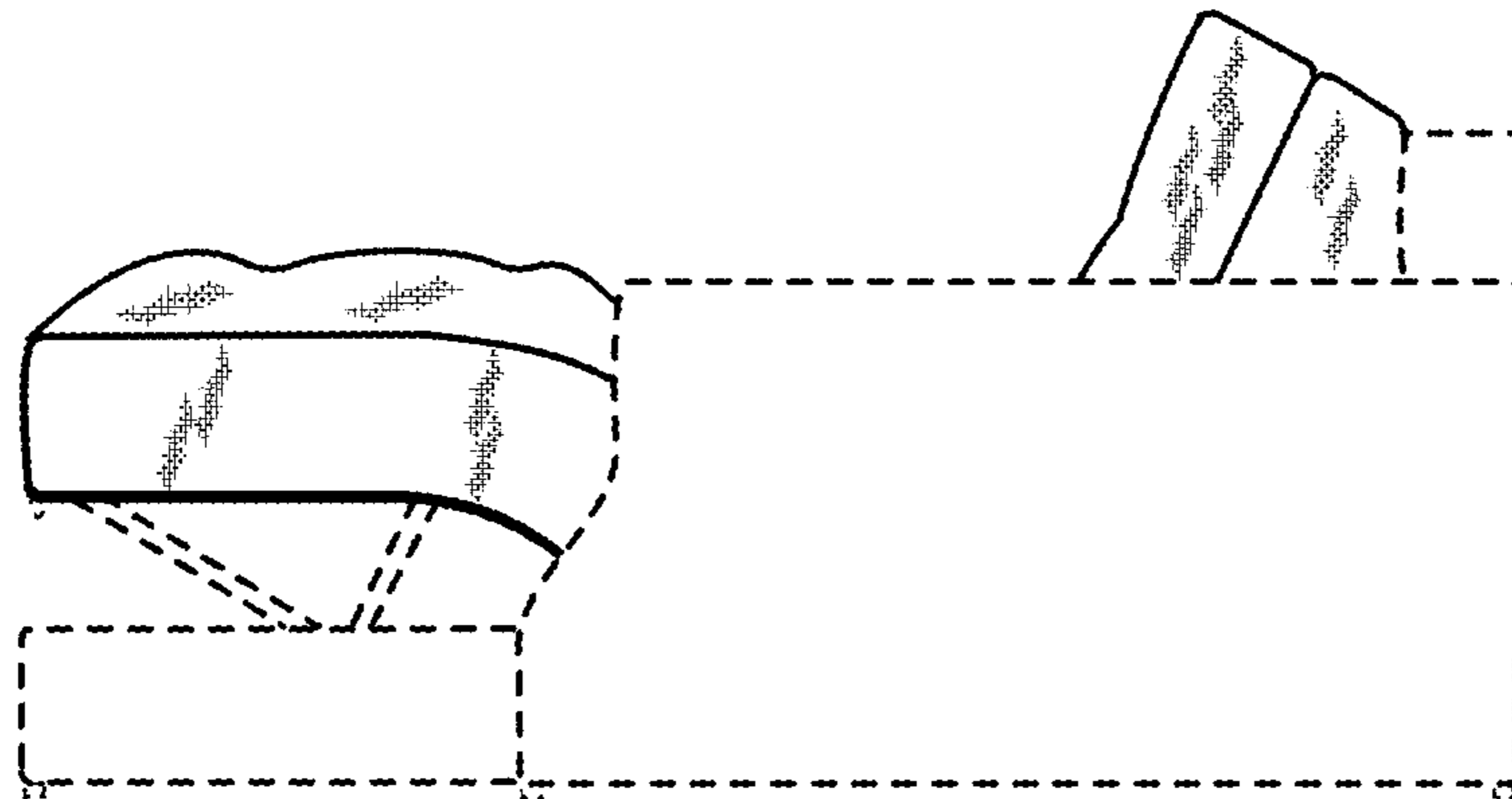
**FIG. 7**



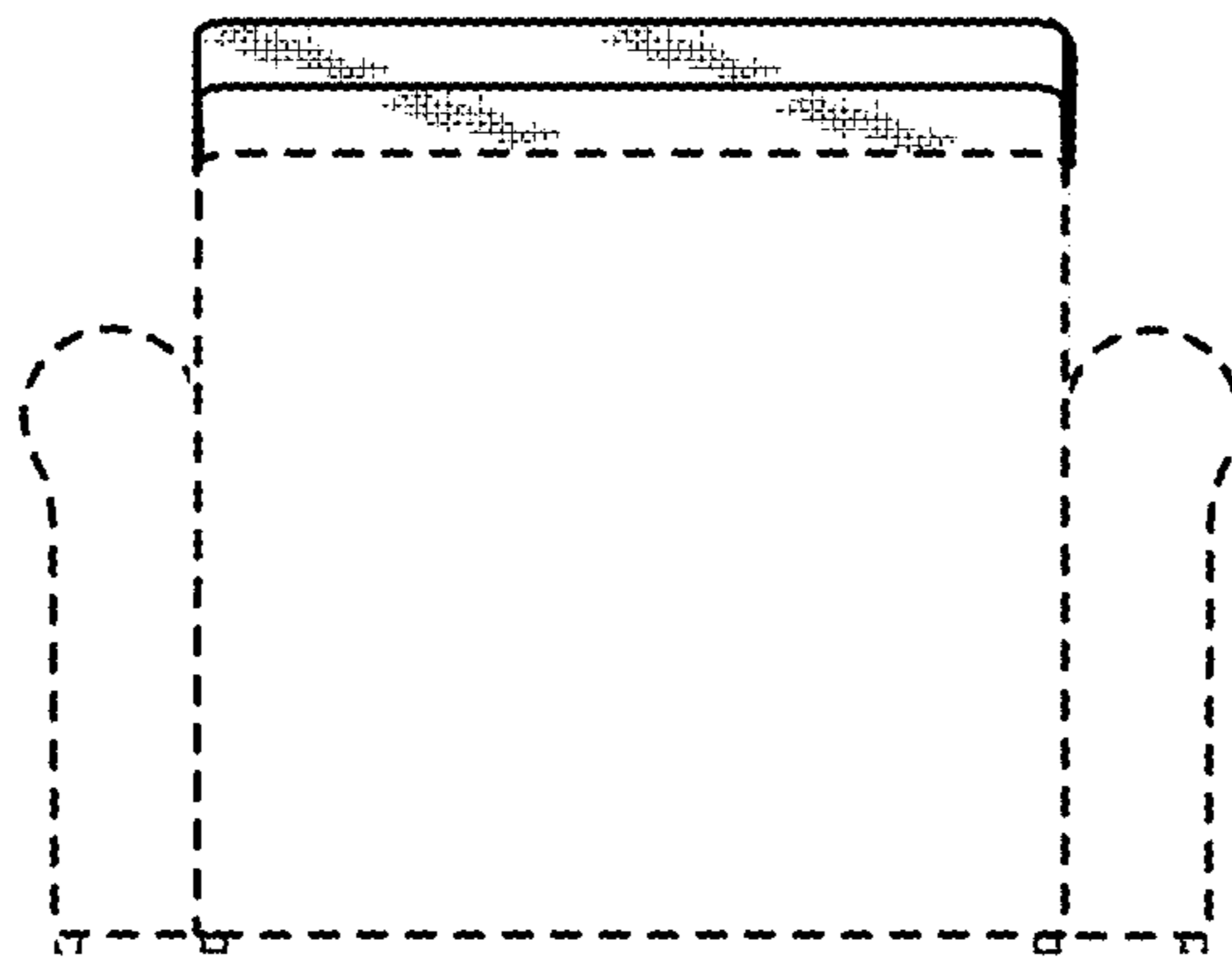
**FIG. 8**



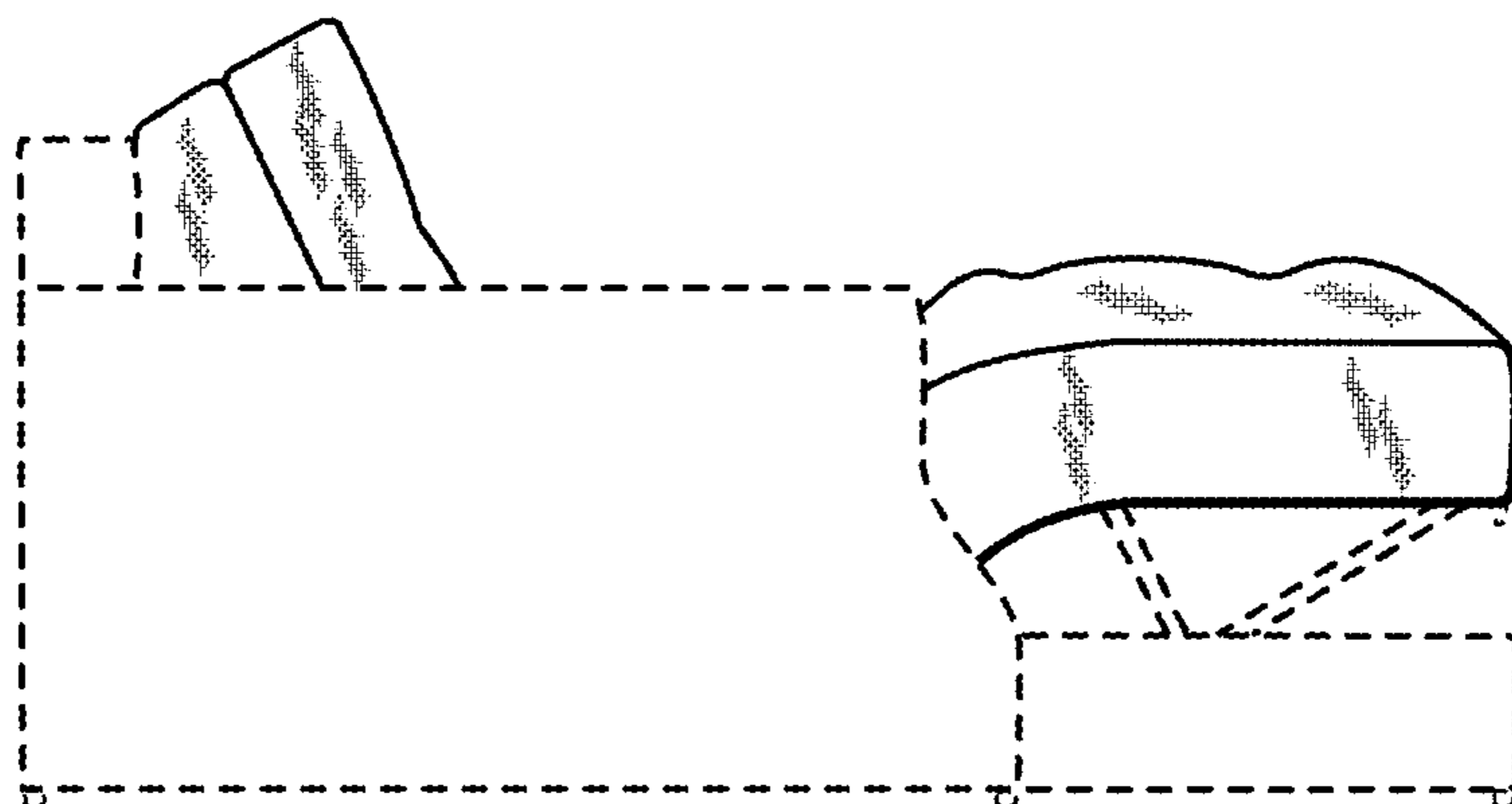
**FIG. 9**



**FIG. 10**



**FIG. 11**



**FIG. 12**