



US00D806414S

(12) **United States Design Patent**
Elmaleh

(10) **Patent No.:** **US D806,414 S**
(45) **Date of Patent:** **** Jan. 2, 2018**

(54) **STOOL WITH WOBBLE RING ACTUATOR**

(71) Applicant: **KORE DESIGN LLC**, Brooklyn, NY
(US)

(72) Inventor: **Jon Elmaleh**, Brooklyn, NY (US)

(73) Assignee: **KORE DESIGN LLC**, Brooklyn, NY
(US)

(**) Term: **15 Years**

(21) Appl. No.: **29/580,004**

(22) Filed: **Oct. 5, 2016**

(51) **LOC (11) Cl.** **06-01**

(52) **U.S. Cl.**
USPC **D6/352**

(58) **Field of Classification Search**
USPC D6/334, 349–355, 358, 360–368,
D6/371–374, 403, 405, 601, 604, 657,
D6/675.4, 685, 688.17, 690, 691–691.9,
D6/692–692.6, 693–693.3, 695, 708,
D6/708.2, 708.15–708.25, 709.11;
D25/62–65

CPC A47C 9/02; A47C 9/007; A47C 9/027;
A47C 7/002; A47C 7/18; A47C 16/02;
A47C 16/04; A47C 3/18; A47C 3/203;
A47C 12/00; A47C 13/00; A47B 7/00;
A47B 7/02; A47B 9/00; A47B 13/02;
A47B 23/00; A47B 39/00

See application file for complete search history.

(56) **References Cited**

U.S. PATENT DOCUMENTS

1,365,873 A * 1/1921 Waderlow A47C 9/02
108/150
D93,968 S * 12/1934 Brower D6/692.3
D283,856 S * 5/1986 Elmaleh D6/349
5,893,604 A * 4/1999 Yao A47C 5/10
108/118
D523,251 S * 6/2006 Parpala D6/352

D580,685 S * 11/2008 Draghici D6/708.2
D686,829 S * 7/2013 Elmaleh D6/352
D740,041 S * 10/2015 Chadwick A47C 3/029
D6/352
D745,287 S * 12/2015 Chadwick D6/352
D746,073 S * 12/2015 Elmaleh D6/349
D748,924 S * 2/2016 Walser D6/352
D756,139 S * 5/2016 Chadwick D6/352
D764,200 S * 8/2016 Elmaleh D6/349
2009/0001788 A1 * 1/2009 Lenz A47C 9/002
297/217.4
2011/0221255 A1 * 9/2011 Weber A47C 3/029
297/452.21

(Continued)

OTHER PUBLICATIONS

Grow With Me Kids Adjustable Wobble Chair. [online] Retrieved
Sep. 5, 2017 from URL:http://shop.shopboslands.com/51674-grow-with-me-and-trade-kids-adjustable-wobble-chair-black-kd-2560?manufacturer_id=9394.*

(Continued)

Primary Examiner — Vy N Koenig
(74) *Attorney, Agent, or Firm* — Notaro, Michalos &
Zaccaria P.C.

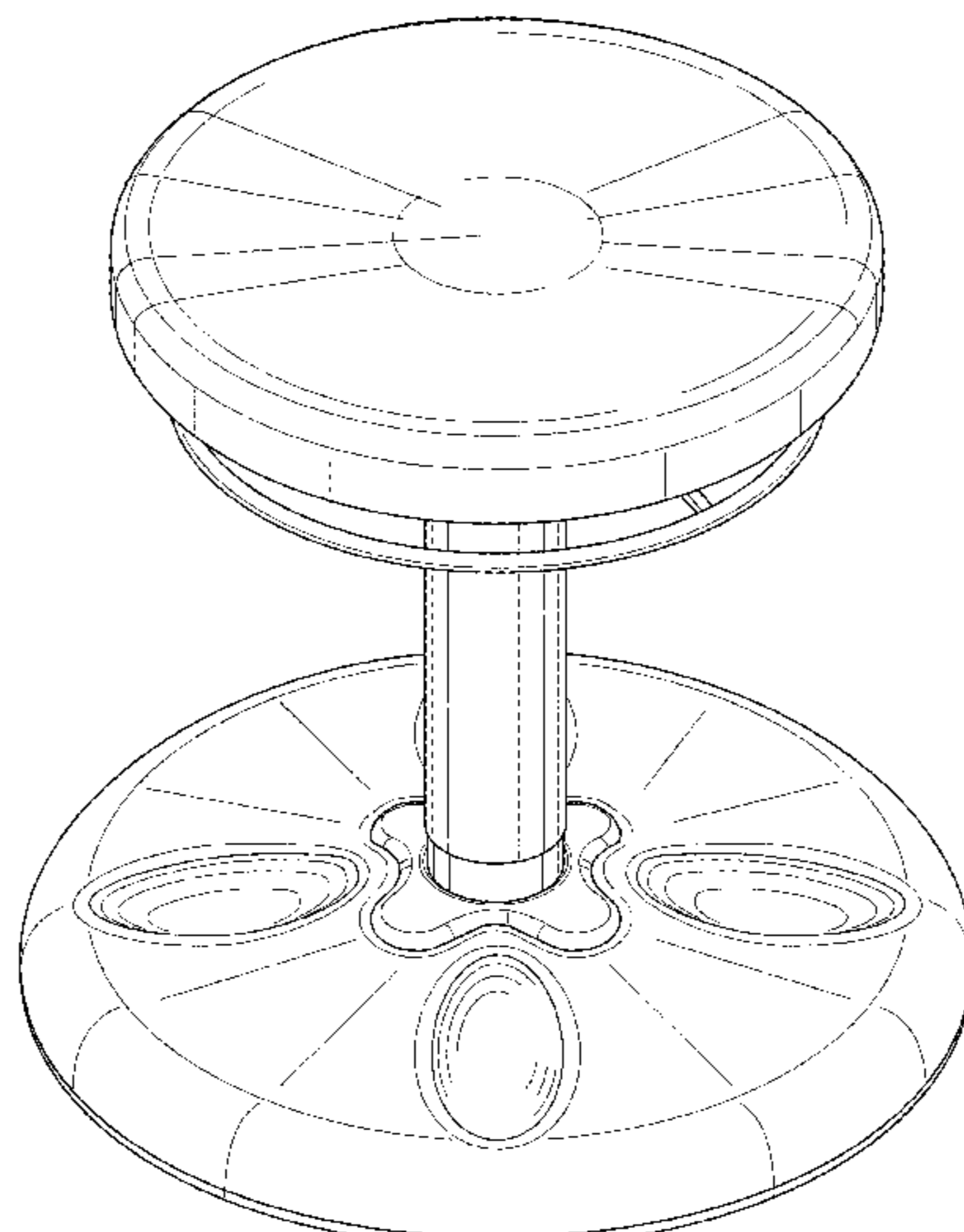
(57) **CLAIM**

The ornamental design for a stool with wobble ring actuator,
as shown and described.

DESCRIPTION

FIG. 1 is a top perspective view of a stool with wobble ring
actuator showing my new design therefor;
FIG. 2 is a bottom perspective view thereof;
FIG. 3 is a front elevational view, the rear view being a
mirror image thereof;
FIG. 4 is a right side elevational view, the left side being a
mirror image thereof;
FIG. 5 is a top plan view thereof; and,
FIG. 6 is a bottom plan view thereof.

1 Claim, 6 Drawing Sheets



(56)

References Cited

U.S. PATENT DOCUMENTS

2013/0334846 A1* 12/2013 Bahneman A47C 9/00
297/195.11
2017/0066121 A1* 3/2017 Huang B25H 1/00

OTHER PUBLICATIONS

Kids Kore Wobble Chair. [online] Published on Sep. 13, 2014.
Retrieved Sep. 5, 2017 from URL:<http://www.bizchair.com/kor112-kor.html>.*

Wobble Stool Active Sitting Chair. [online] Retrieved Sep. 5, 2017
from URL:<https://www.standupdeskstore.com/wobble-stool-active-standing-desk-chair>.*

* cited by examiner

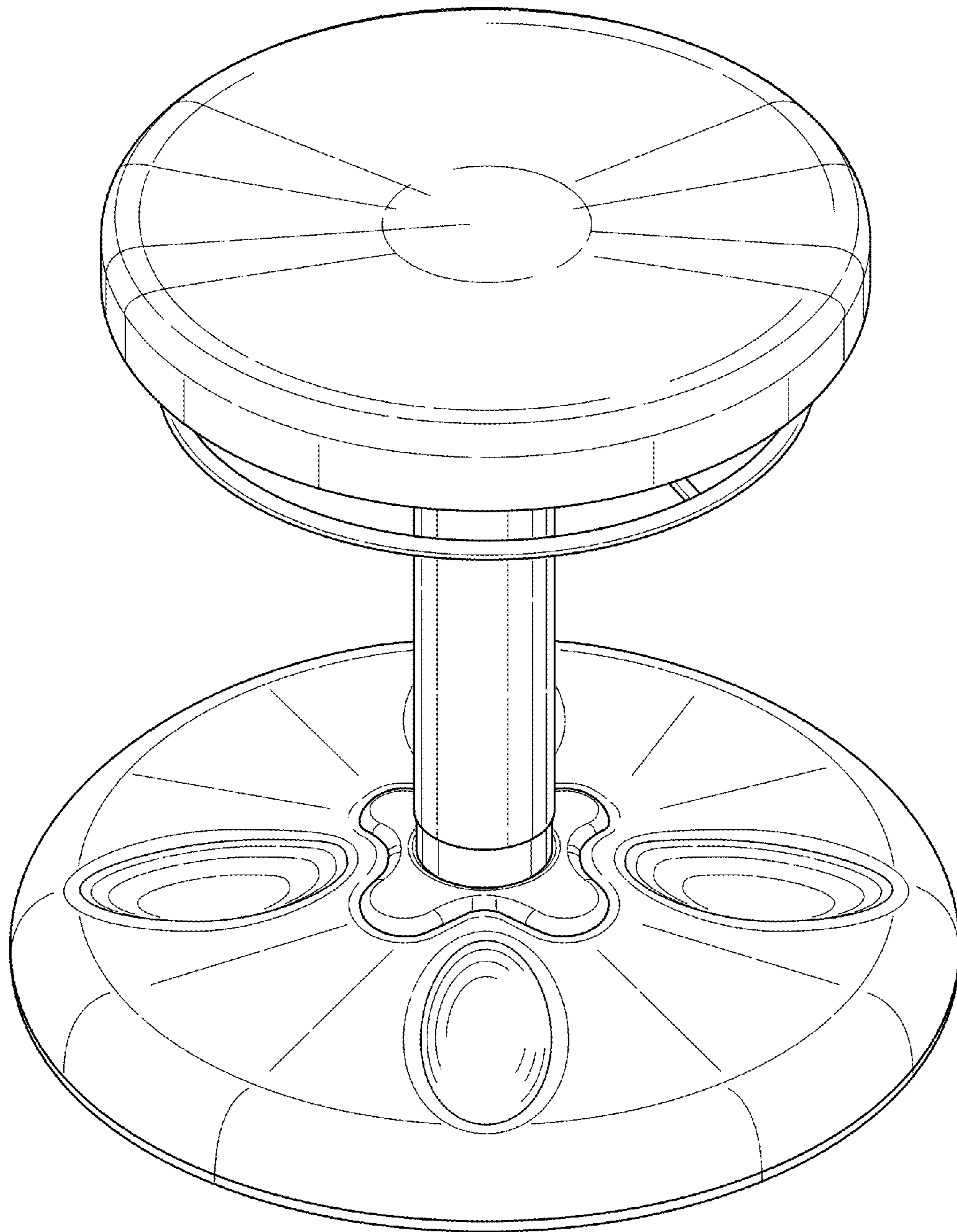


FIG. 1

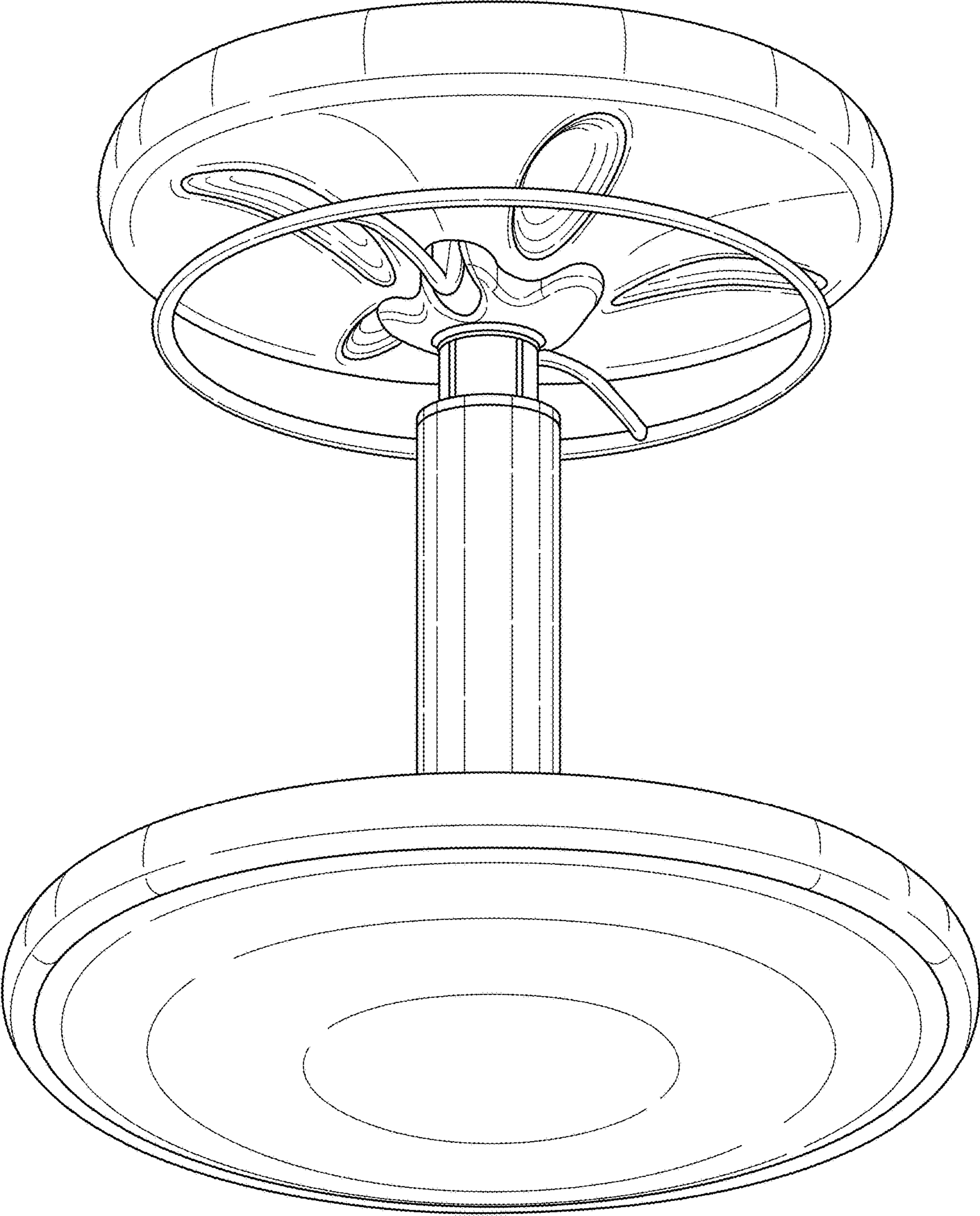


FIG. 2

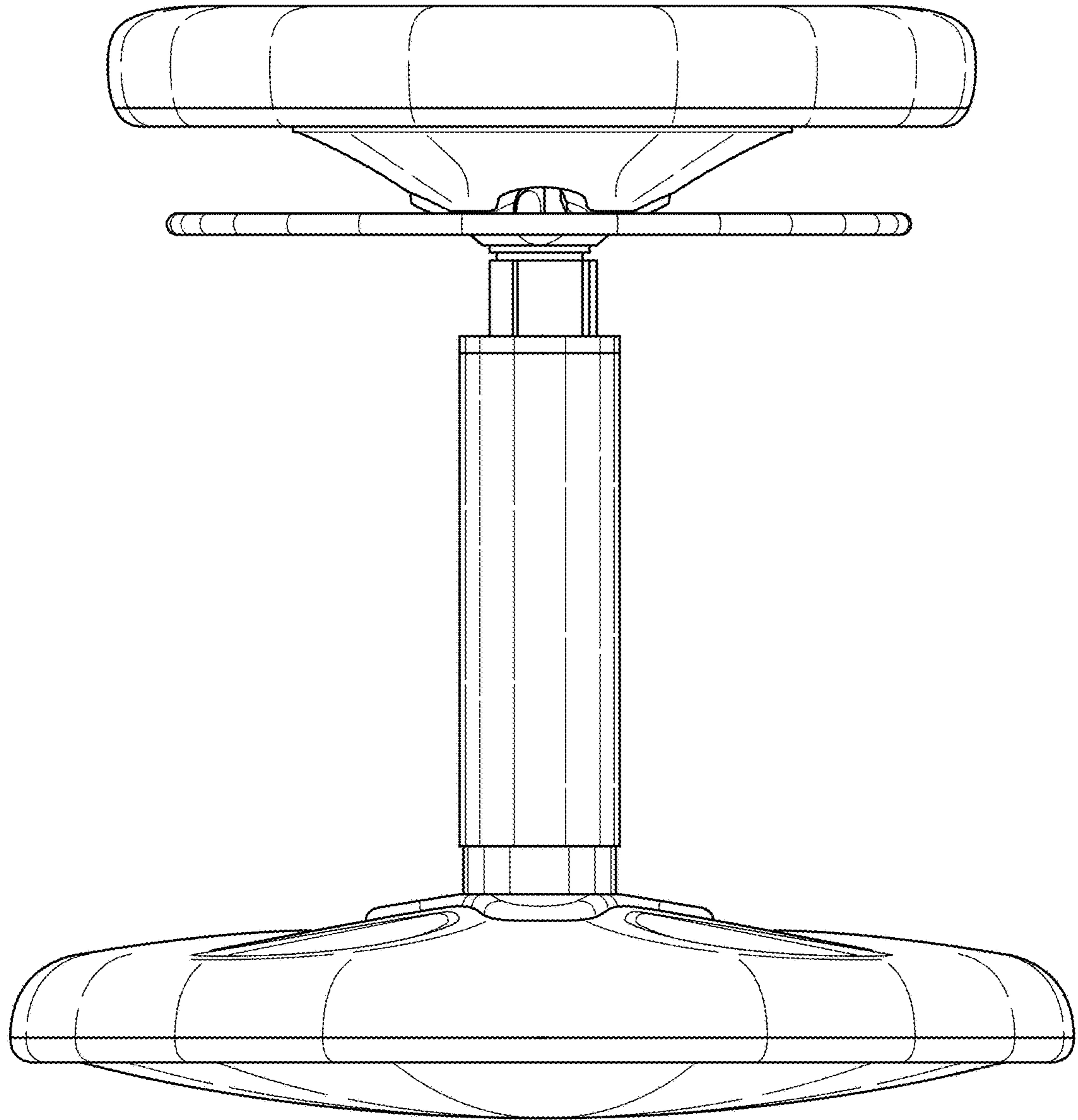


FIG. 3

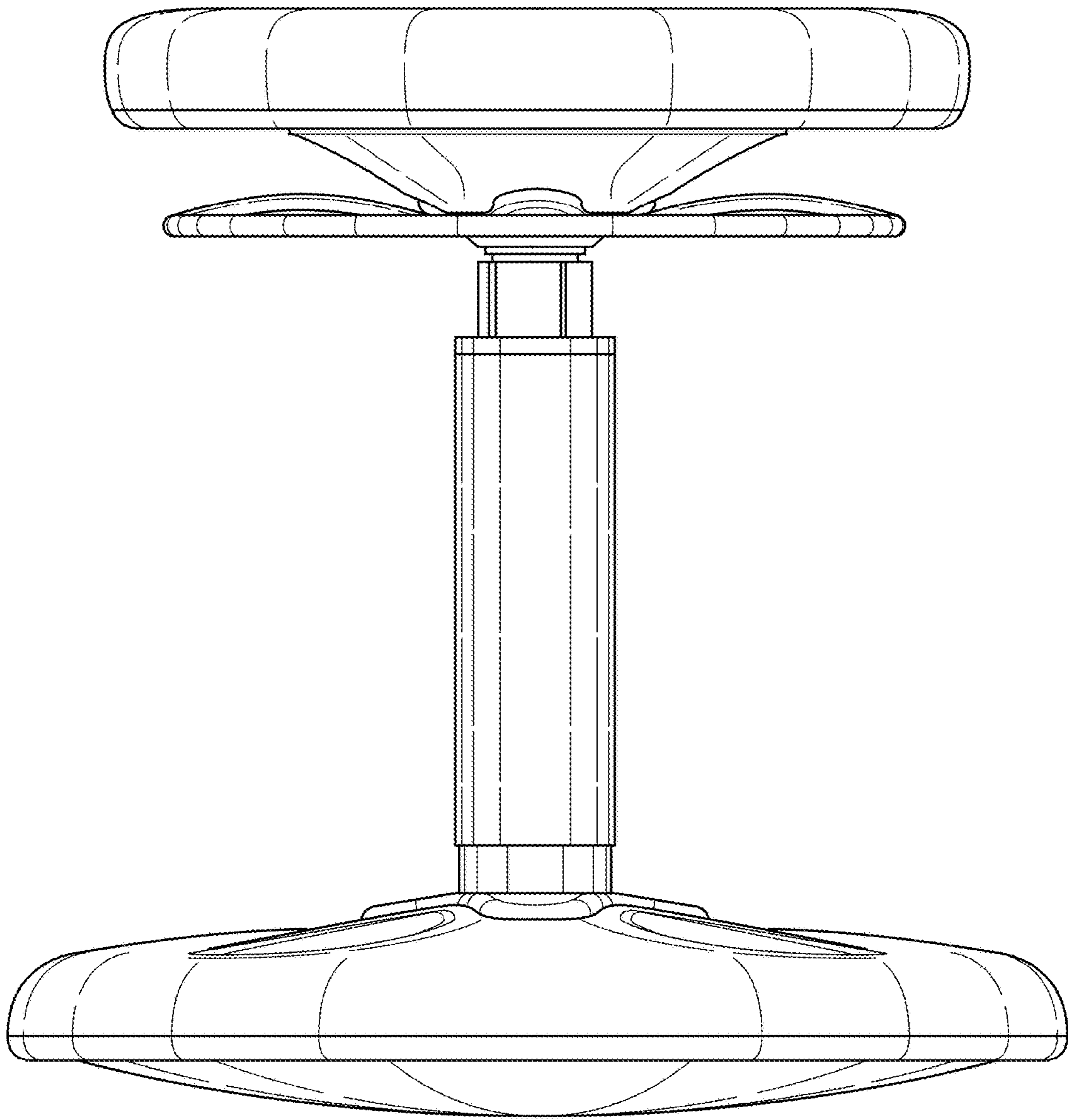


FIG. 4

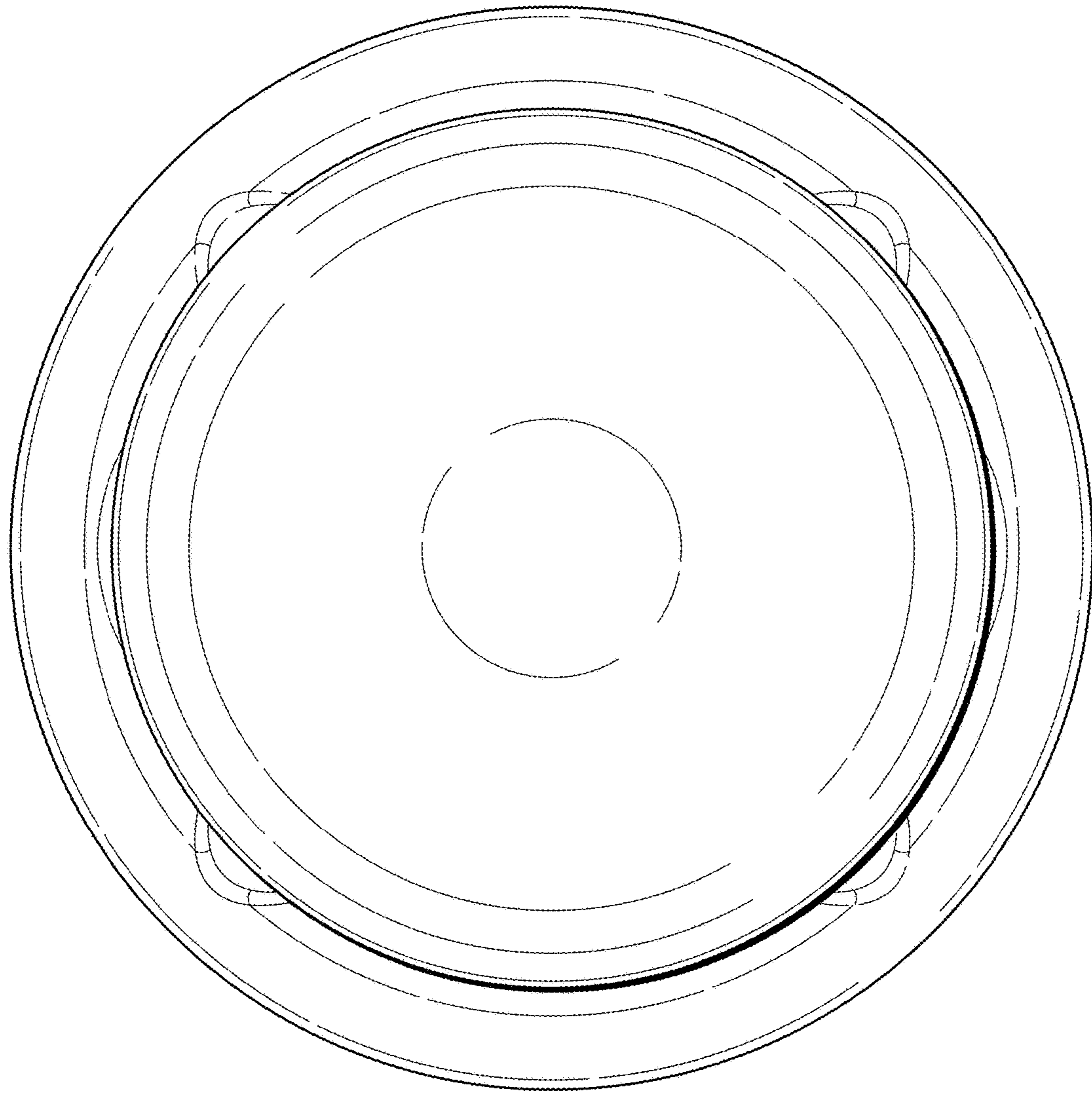


FIG. 5

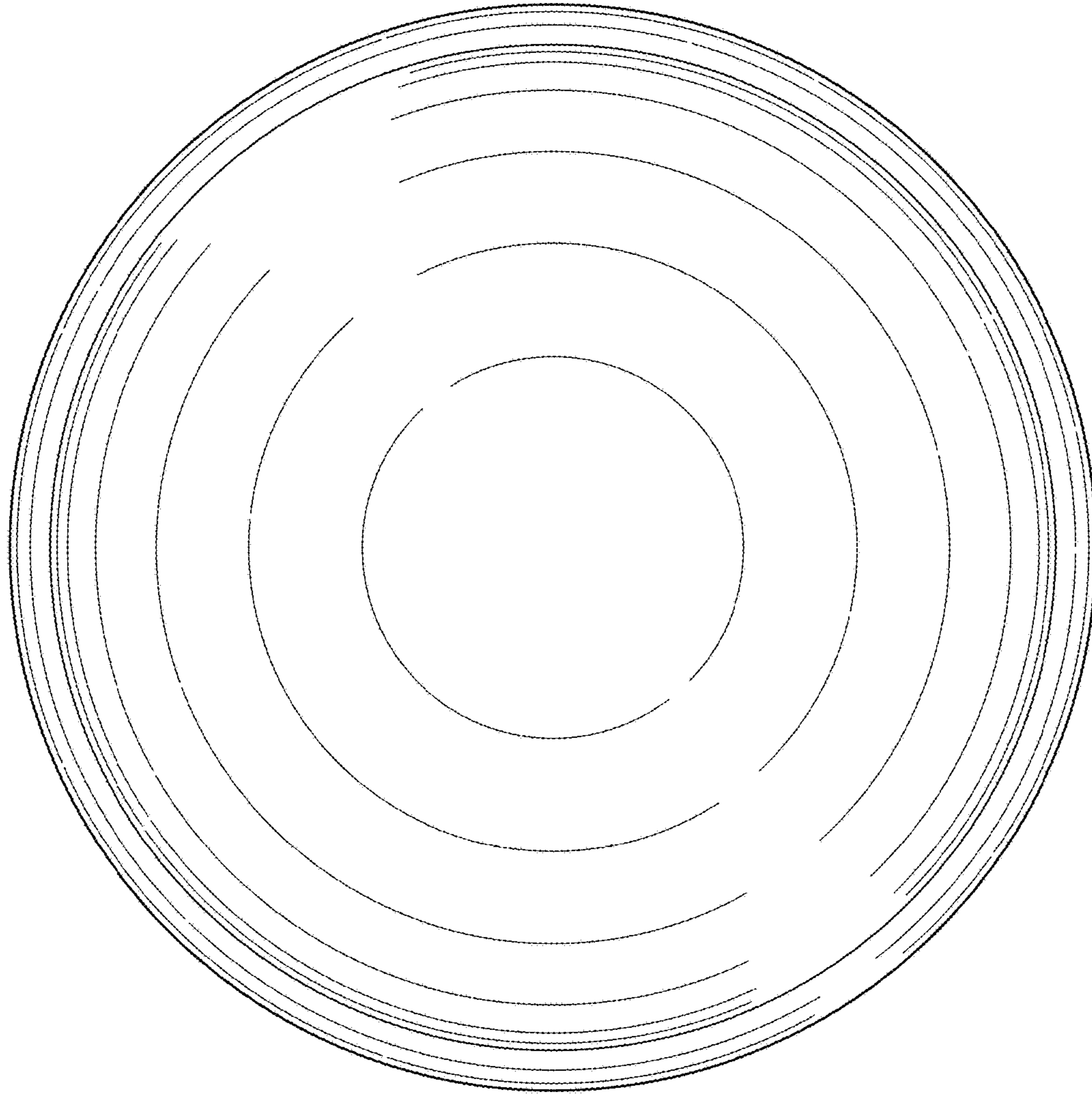


FIG. 6