



US00D806413S

(12) **United States Design Patent**
Zinger

(10) **Patent No.:** **US D806,413 S**
(45) **Date of Patent:** **** Jan. 2, 2018**

- (54) **STOOL**
- (71) Applicant: **Keter Plastic Ltd.**, Herzelyia (IL)
- (72) Inventor: **Nadia Zinger**, Ramat Gan (IL)
- (73) Assignee: **KETER PLASTIC LTD.**, Herzelyia (IL)
- (**) Term: **15 Years**
- (21) Appl. No.: **29/583,854**
- (22) Filed: **Nov. 9, 2016**
- (30) **Foreign Application Priority Data**
 - May 11, 2016 (IL) 58534
- (51) **LOC (11) Cl.** **06-01**
- (52) **U.S. Cl.**
USPC **D6/349; D6/369**
- (58) **Field of Classification Search**
USPC D6/334, 349-355, 358, 360-369, D6/371-374, 403, 405, 406.3, 601, 604, D6/657, 675.4, 685, 688.17, 689, 690, D6/691-691.9, 692-692.6, 693-693.3, D6/695, 707.2, 708, 708.15-708.25, D6/709.11, 716-716.3; D25/62-65
CPC A47C 9/02; A47C 9/007; A47C 9/027; A47C 7/002; A47C 7/18; A47C 16/02; A47C 16/04; A47C 3/18; A47C 3/203; A47C 12/00; A47C 13/00; A47B 7/00; A47B 7/02; A47B 9/00; A47B 13/02; A47B 23/00; A47B 39/00
See application file for complete search history.

- (56) **References Cited**
 - U.S. PATENT DOCUMENTS
 - 1,518,771 A * 12/1924 Campbell A47B 91/04 16/42 R
 - D215,858 S * 11/1969 Hamilton et al. D6/691.8

- 3,751,317 A * 8/1973 Galloway A47B 7/00 108/161
- D312,736 S * 12/1990 Grosfillex D6/349
- D317,537 S * 6/1991 Pino D6/349
- D358,283 S * 5/1995 Kelly D6/349
- D376,281 S * 12/1996 Robertson D6/349

(Continued)

OTHER PUBLICATIONS

Keter Corfu Charcoal Modern. [online] Published on Nov. 10, 2016. Retrieved Sep. 6, 2017 from URL: <https://www.overstock.com/Home-Garden/Keter-Corfu-Charcoal-Modern-All-weather-Out-door-Garden-Patio-Coffee-Table/12059103/product.html>.*

(Continued)

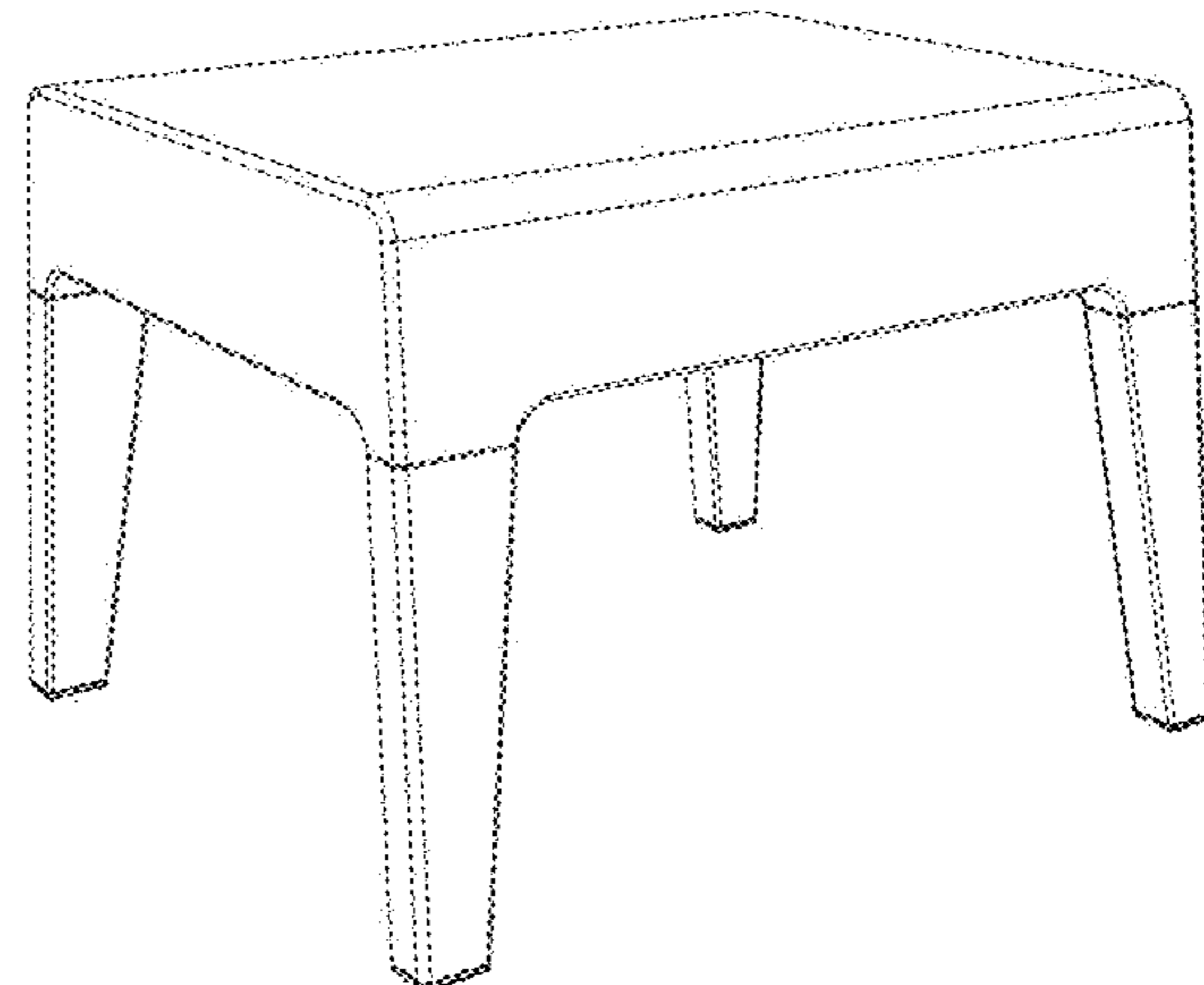
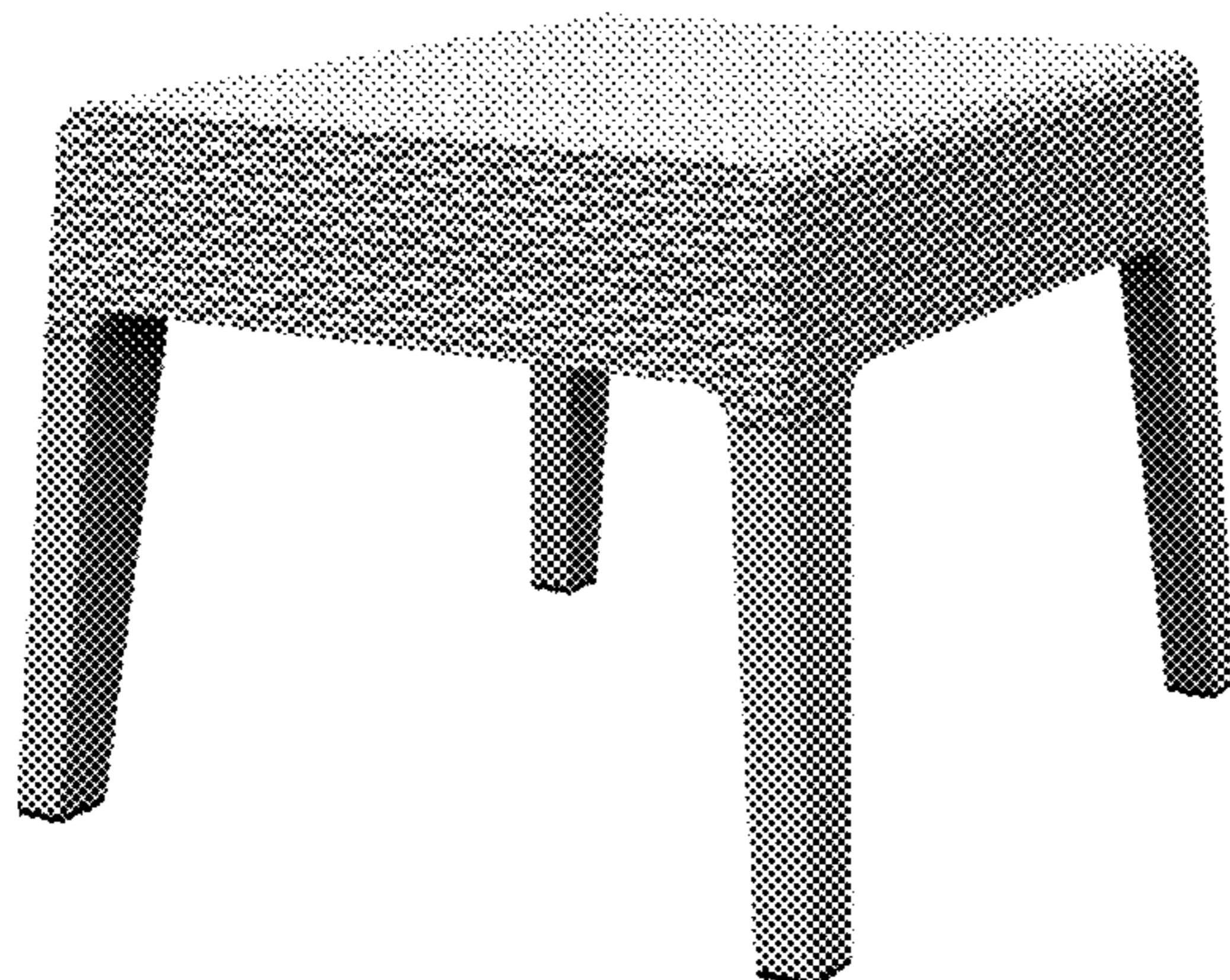
Primary Examiner — Vy N Koenig
(74) *Attorney, Agent, or Firm* — Vorys, Sater, Seymour & Pease LLP

(57) **CLAIM**
The ornamental design for a stool, as shown and described.

DESCRIPTION

FIG. 1 is a perspective view of a design for a stool; FIG. 2 is a front elevational view of the design as seen in FIG. 1, rear elevational view being identical; FIG. 3 is a side elevational view of the design as seen in FIG. 1, other side elevational view being identical; FIG. 4 is a top plan view of the design as seen in FIG. 1; FIG. 5 is a bottom plan view of the design as seen in FIG. 1;
FIG. 6 is a perspective view of a design for a stool; FIG. 7 is a front elevational view of the design as seen in FIG. 6, rear elevational view being identical; FIG. 8 is a side elevational view of the design as seen in FIG. 6, other side elevational view being identical; FIG. 9 is a top plan view of the design as seen in FIG. 6; and, FIG. 10 is a bottom plan view of the design as seen in FIG. 6.

1 Claim, 10 Drawing Sheets



(56)

References Cited

U.S. PATENT DOCUMENTS

D596,866 S *	7/2009	Bergmann	D6/369
D656,342 S *	3/2012	Blitzer	D6/689
D687,639 S *	8/2013	Grotta	D6/349
D687,640 S *	8/2013	Pedersen	D6/349
D710,135 S *	8/2014	Rasenberg	D6/691.8
D726,460 S *	4/2015	Arnon	D6/689
D780,491 S *	3/2017	Magargee	D6/349
D791,522 S *	7/2017	Rafieha	D6/689

OTHER PUBLICATIONS

Juego De Terraza En Rattan. [online] Published on Jun. 30, 2017.
Retrieved Sep. 6, 2017 from URL: https://articulo.mercadolibre.cl/MLC-435422333-juego-de-terraza-en-rattan-pvc-plastico-nuevos-_JM.*

Buy Miami Square Resin Side Table Brown. [online] Retrieved Sep. 6, 2017 from URL: <https://www.contemporaryfurniturewarehouse.com/collections/compamia/products/compamia-isp858-br>.*

* cited by examiner



FIG. 1

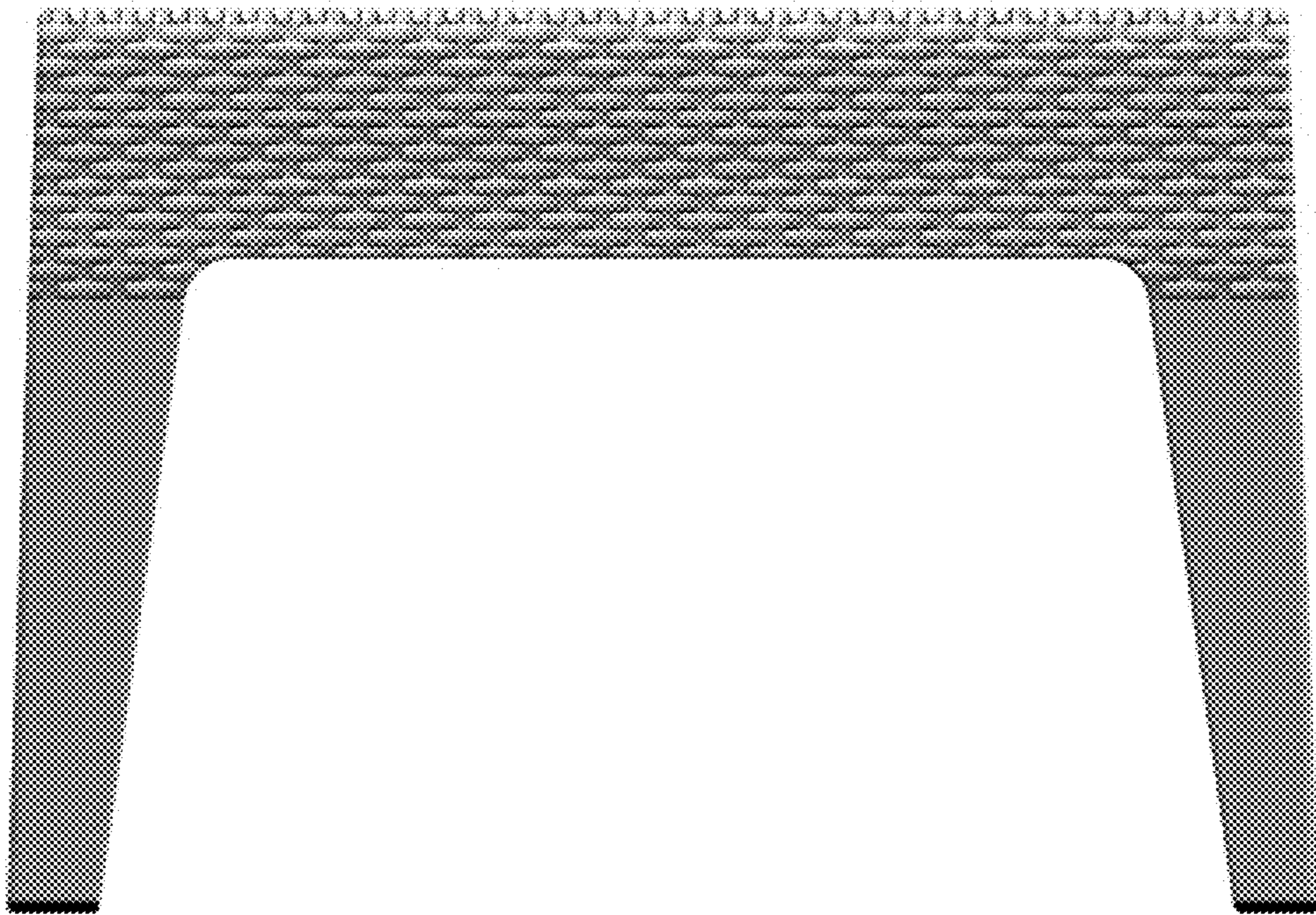


FIG. 2

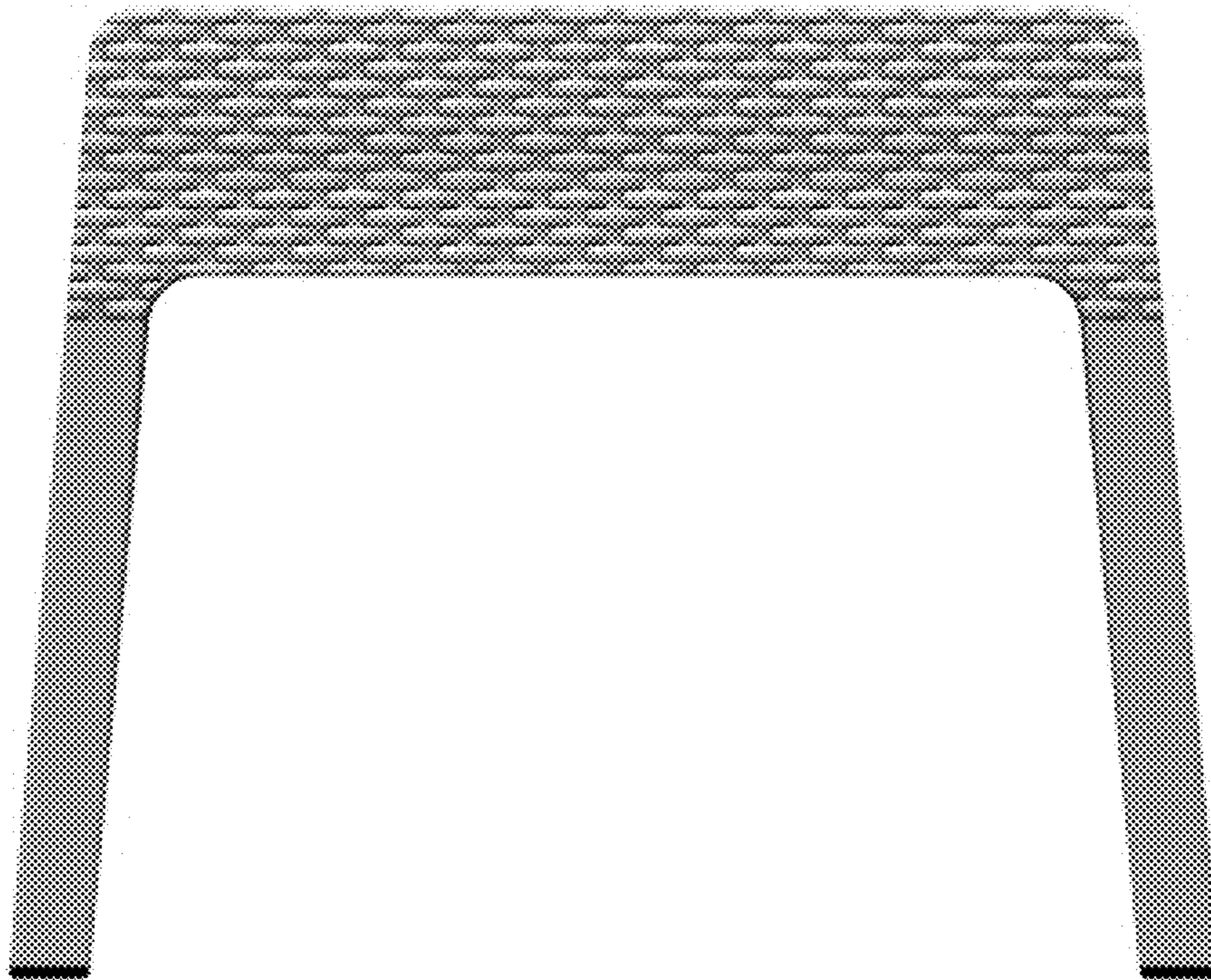


FIG. 3

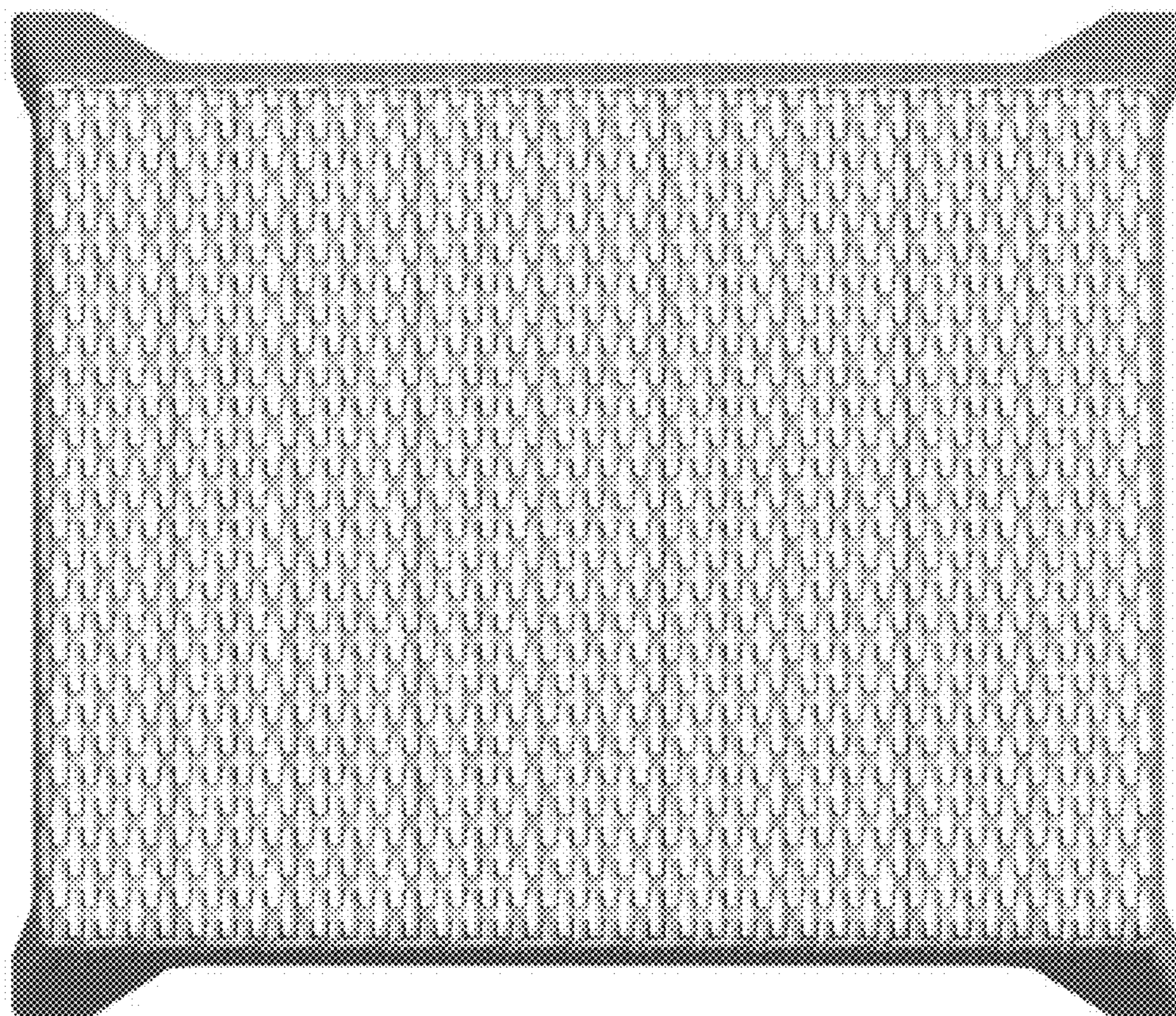


FIG. 4

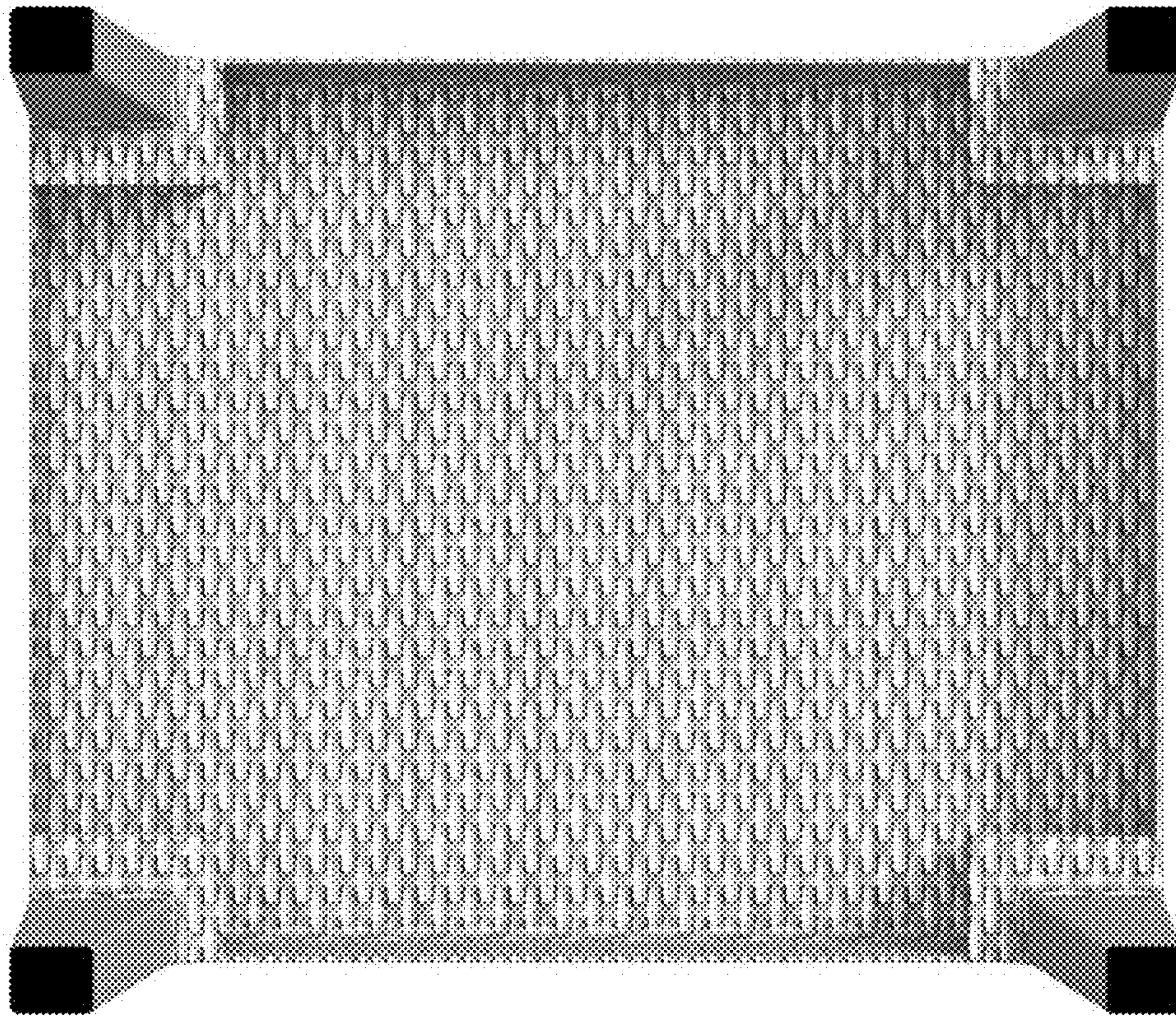


FIG. 5

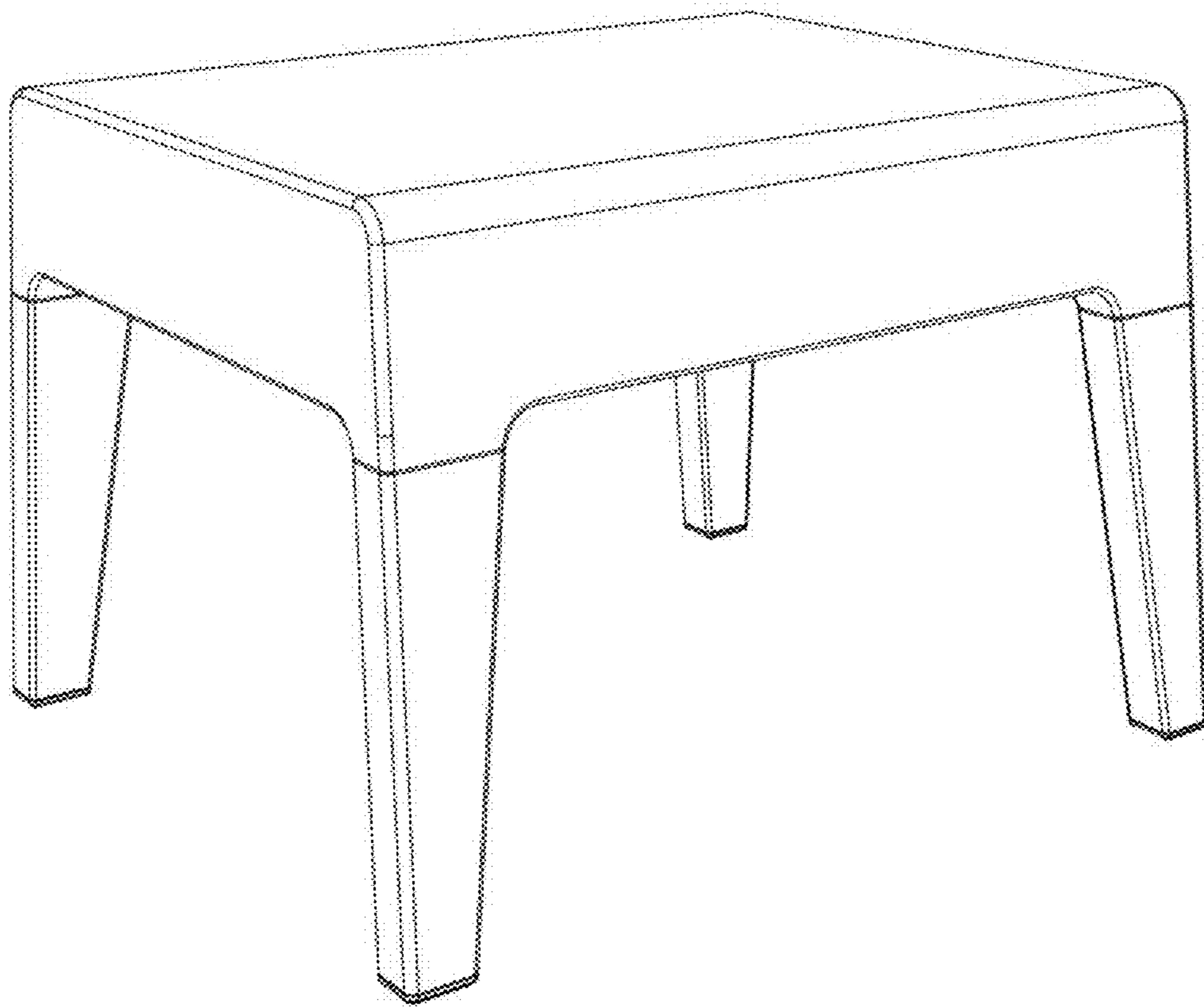


FIG. 6

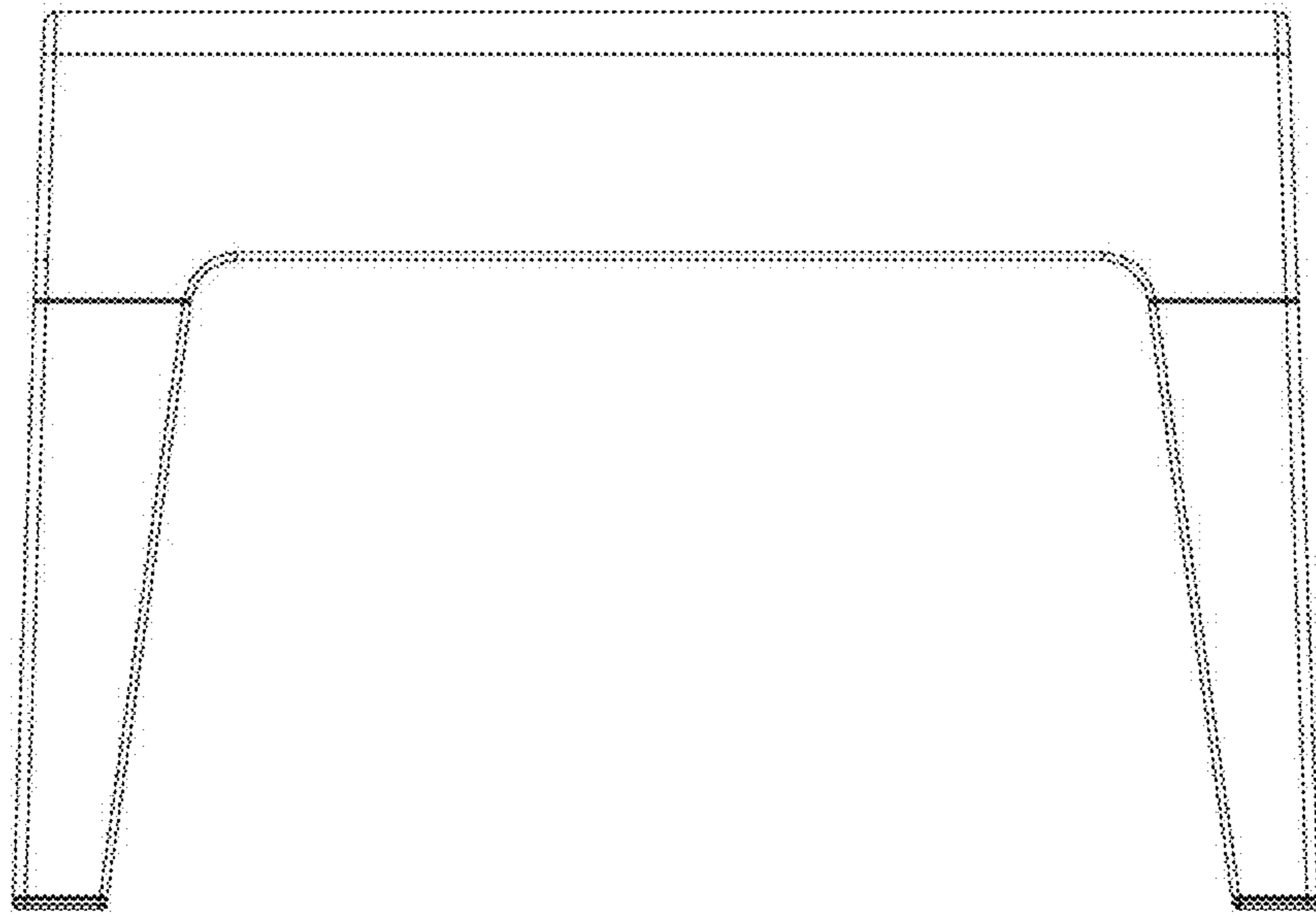


FIG. 7

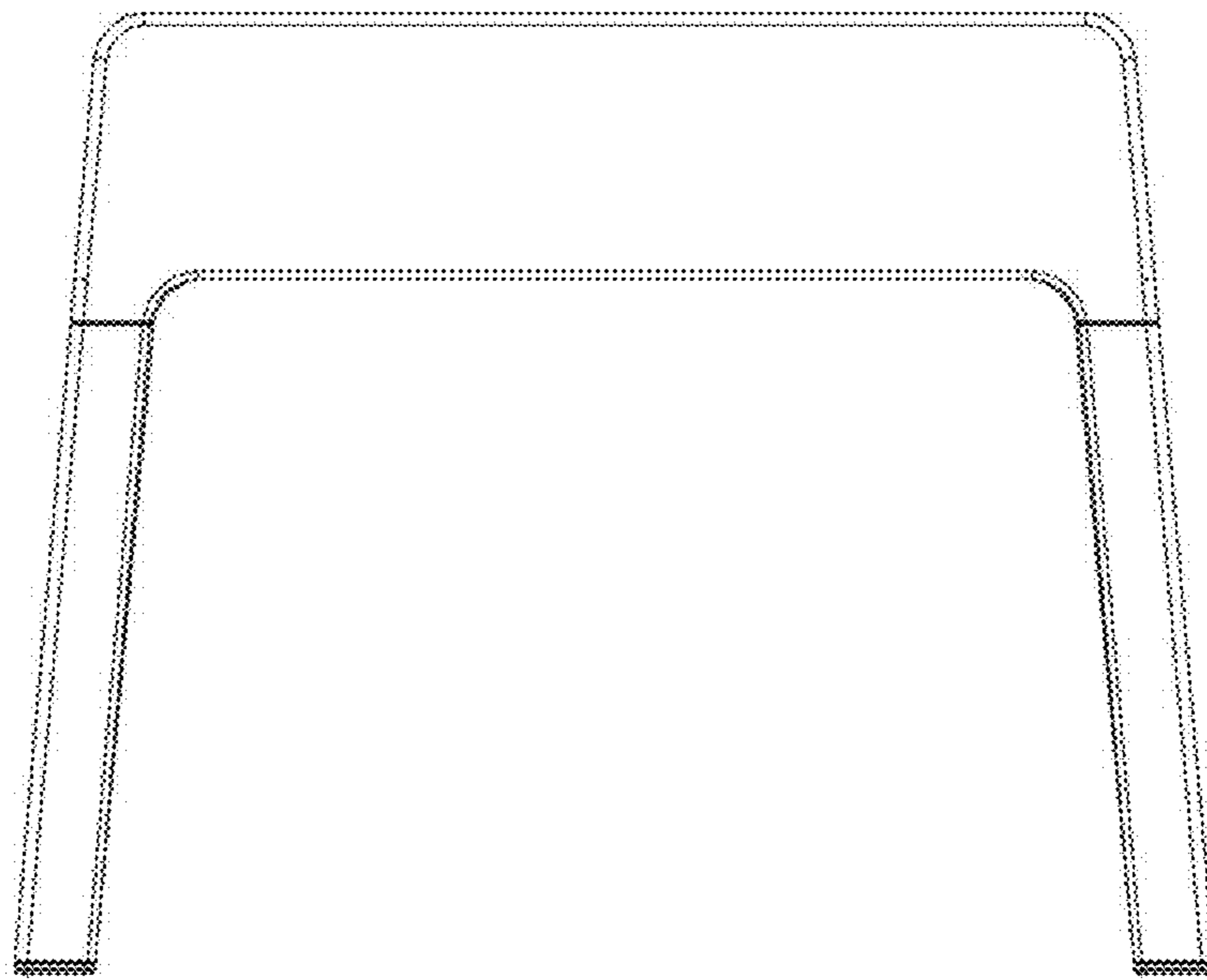


FIG. 8

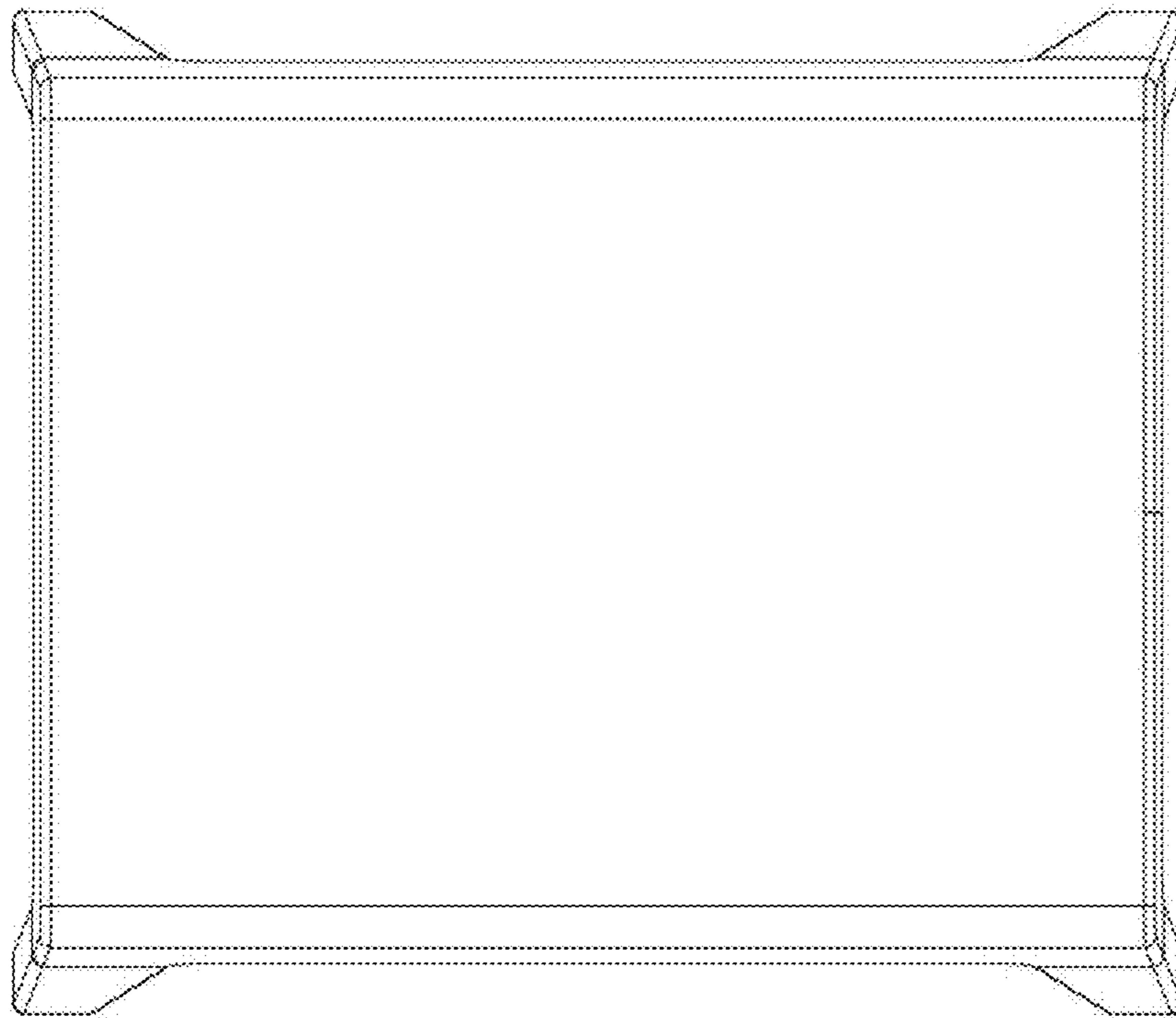


FIG. 9

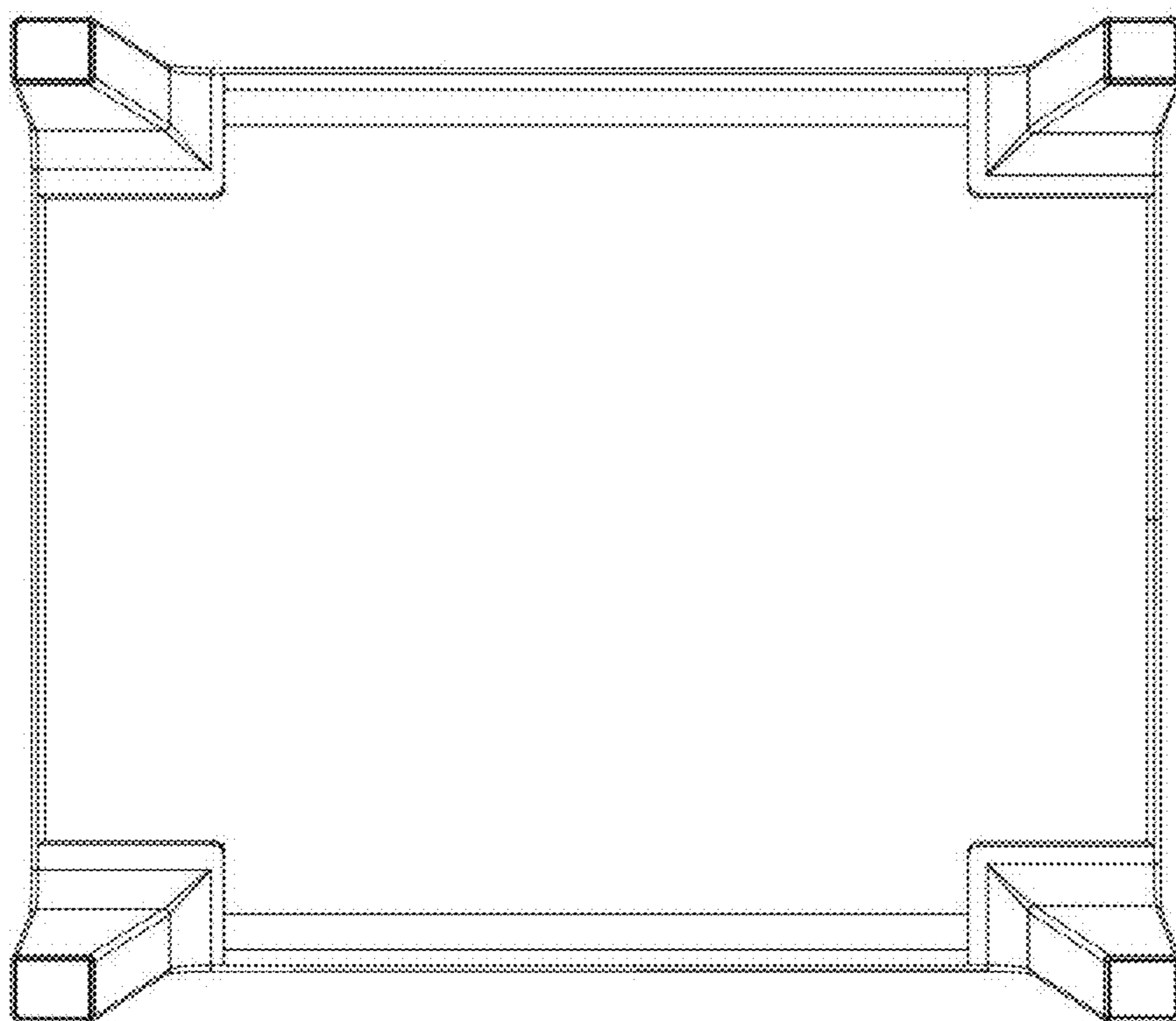


FIG. 10