



US00D806412S

(12) **United States Design Patent** (10) **Patent No.:** **US D806,412 S**  
**Hasegawa et al.** (45) **Date of Patent:** **\*\* Jan. 2, 2018**

(54) **STOOL**  
 (71) Applicant: **Hasegawa Kogyo Co., Ltd.**, Osaka-shi, Osaka (JP)  
 (72) Inventors: **Yoshitaka Hasegawa**, Osaka (JP); **Michiaki Sugiki**, Osaka (JP)  
 (73) Assignee: **Hasegawa Kogyo Co., Ltd.**, Osaka-shi (JP)

D582,167 S \* 12/2008 Auberger ..... D6/349  
 D606,335 S \* 12/2009 Hallerod ..... D6/692  
 D638,885 S \* 5/2011 Herlitz ..... D21/419  
 D647,145 S \* 10/2011 Damhorst ..... D21/521  
 D683,144 S \* 5/2013 Maddadi ..... D6/349  
 D708,679 S \* 7/2014 Badanjo ..... D21/424  
 D755,306 S \* 5/2016 Lee ..... D21/428  
 2010/0187041 A1 \* 7/2010 Crouch ..... A47D 15/003  
 182/223

(\*\*) Term: **15 Years**  
 (21) Appl. No.: **29/573,194**  
 (22) Filed: **Aug. 3, 2016**

(30) **Foreign Application Priority Data**  
 Feb. 4, 2016 (JP) ..... 2016-002375  
 (51) **LOC (11) Cl.** ..... **06-01**  
 (52) **U.S. Cl.**  
 USPC ..... **D6/349**  
 (58) **Field of Classification Search**  
 USPC ..... D6/334, 349-355, 358, 360-368,  
 D6/371-374, 403, 405, 601, 604, 657,  
 D6/675, 675.1, 675.4, 683.1, 684, 685,  
 D6/688.17, 690, 691-691.9, 692-692.6,  
 D6/693-693.3, 695, 708, 708.11-708.25,  
 D6/709.11; D25/62-65; D21/419, 521,  
 D21/686, 695  
 CPC .... A47C 9/00-9/105; A47C 7/00-7/02; A47C  
 16/00-16/04; A47C 11/00; A47C 3/18;  
 A47C 3/20; A47C 12/00; A47C 13/00  
 See application file for complete search history.

(56) **References Cited**  
 U.S. PATENT DOCUMENTS  
 5,118,096 A \* 6/1992 Wilkinson ..... A47C 3/20  
 108/12  
 5,591,105 A \* 1/1997 Dalebout ..... A63B 23/0458  
 248/188.2

**OTHER PUBLICATIONS**

Purill Step Stool. [online] Published on May 10, 2017. Retrieved Aug. 14, 2017 from URL: <https://www.hasegawa-kogyo.co.jp/purill/>.  
 Bright Starts Amazon. [online] Published on Apr. 18, 2015. Retrieved Aug. 14, 2017 from URL: <https://www.amazon.com/Bright-Starts-Stool-Discontinued-Manufacturer/dp/B000QVT6AS>.

\* cited by examiner

*Primary Examiner* — Vy N Koenig  
 (74) *Attorney, Agent, or Firm* — Westerman, Hattori, Daniels & Adrian

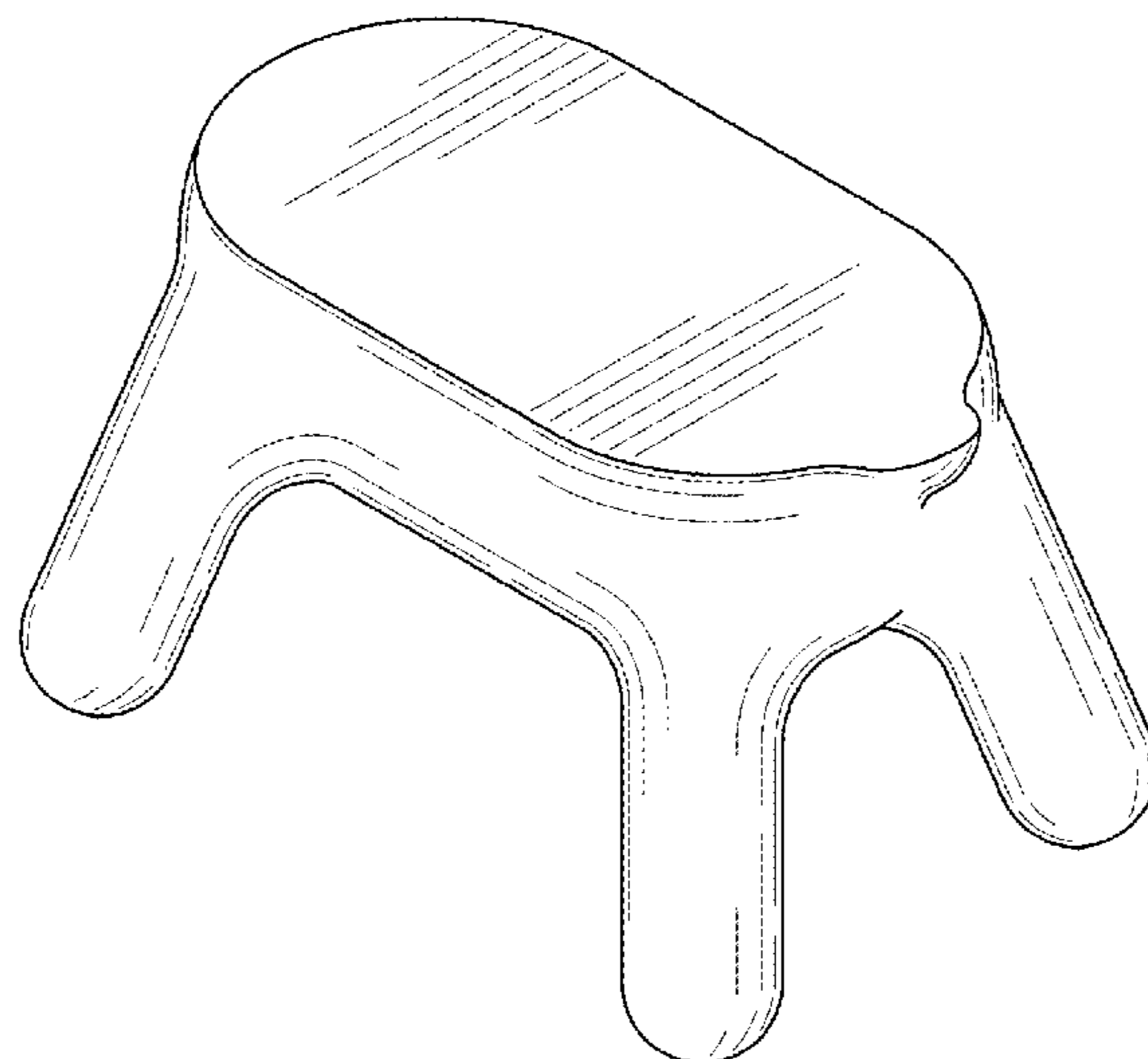
(57) **CLAIM**

The ornamental design for a stool, as shown.

**DESCRIPTION**

FIG. 1 is a perspective view of a stool showing our new design;  
 FIG. 2 is a front view thereof;  
 FIG. 3 is a back view thereof;  
 FIG. 4 is a right side view thereof;  
 FIG. 5 is a left side view thereof;  
 FIG. 6 is a top plan view thereof; and,  
 FIG. 7 is a bottom view thereof.

**1 Claim, 7 Drawing Sheets**



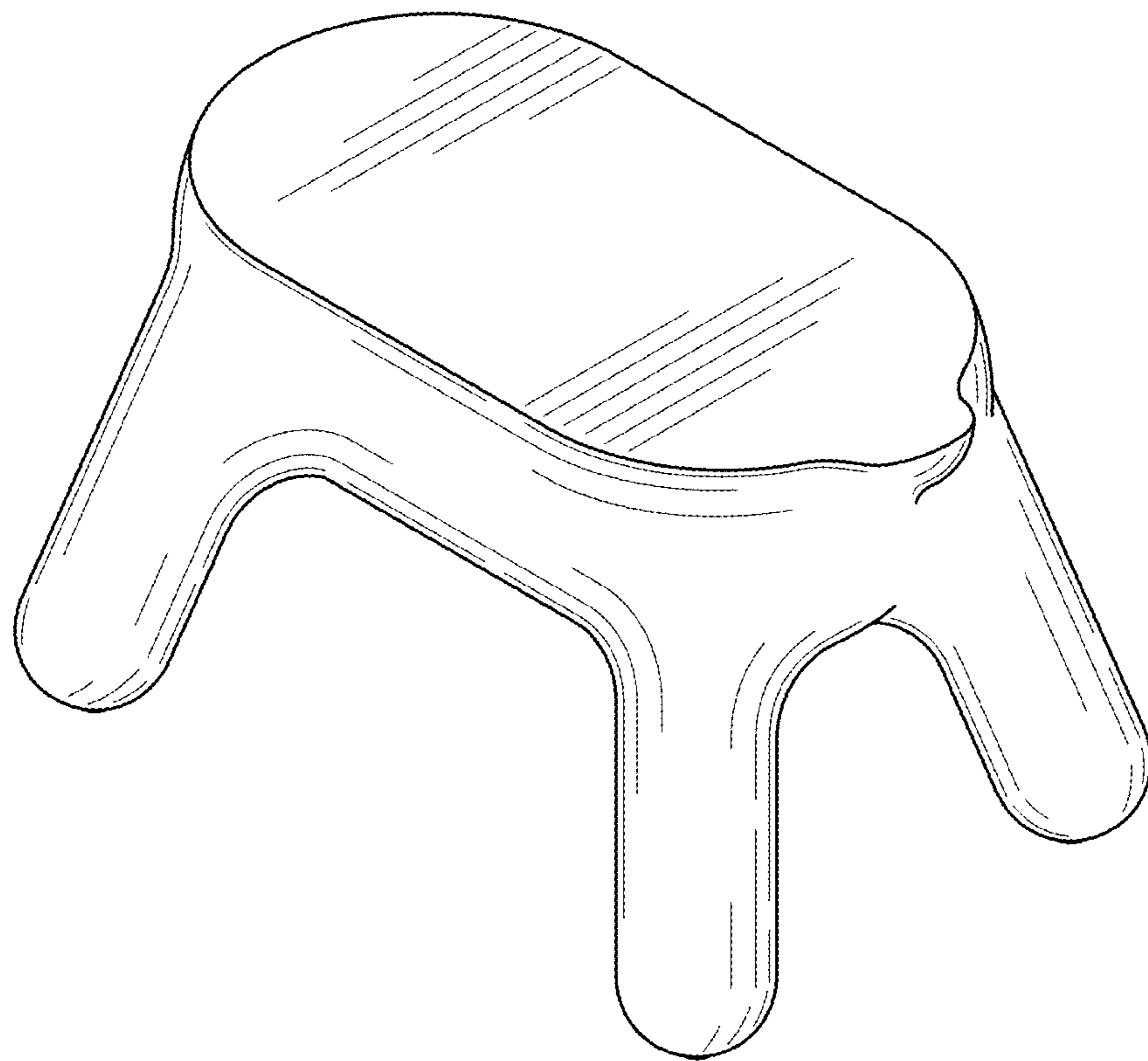


FIG. 1

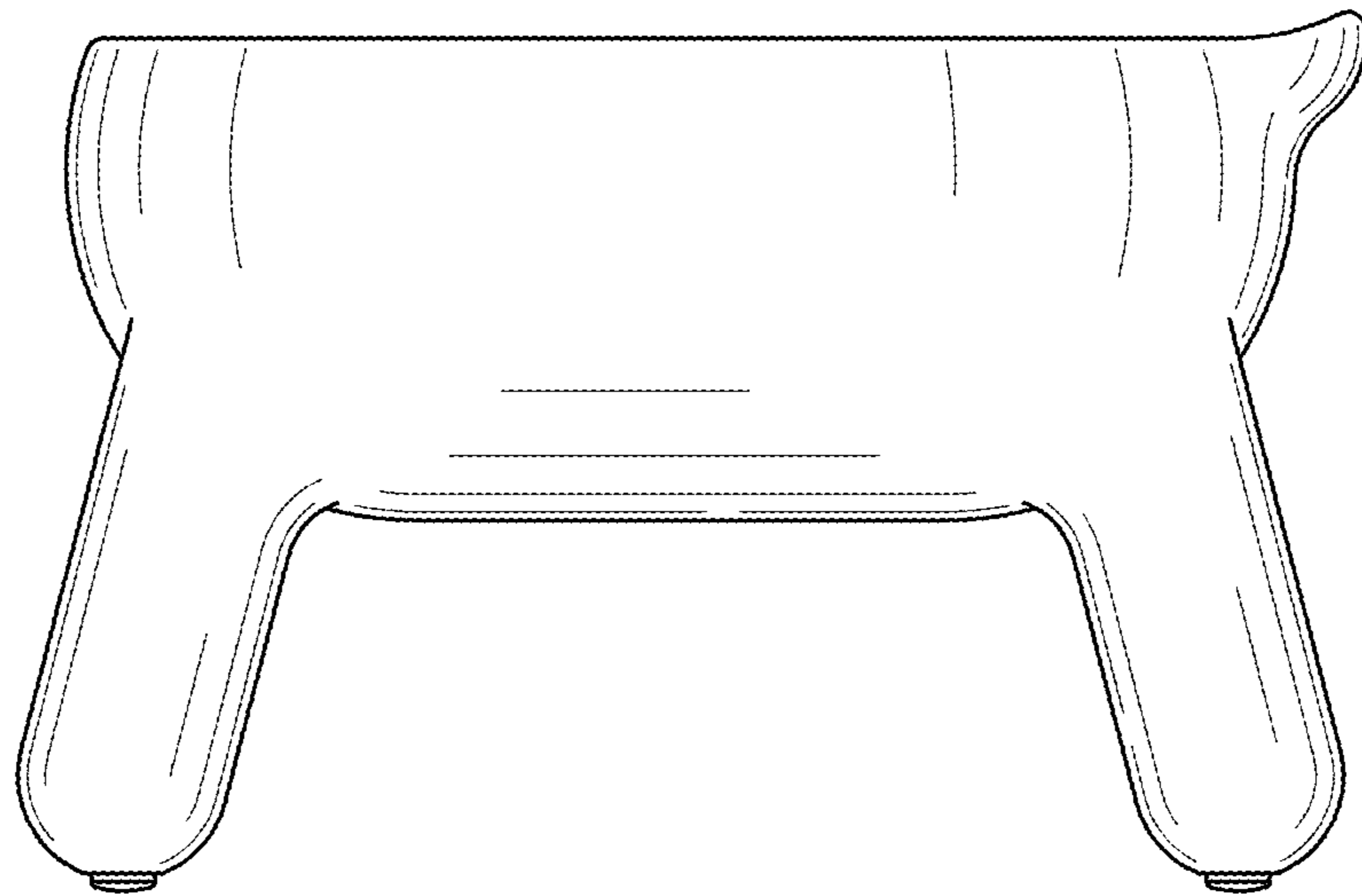


FIG. 2

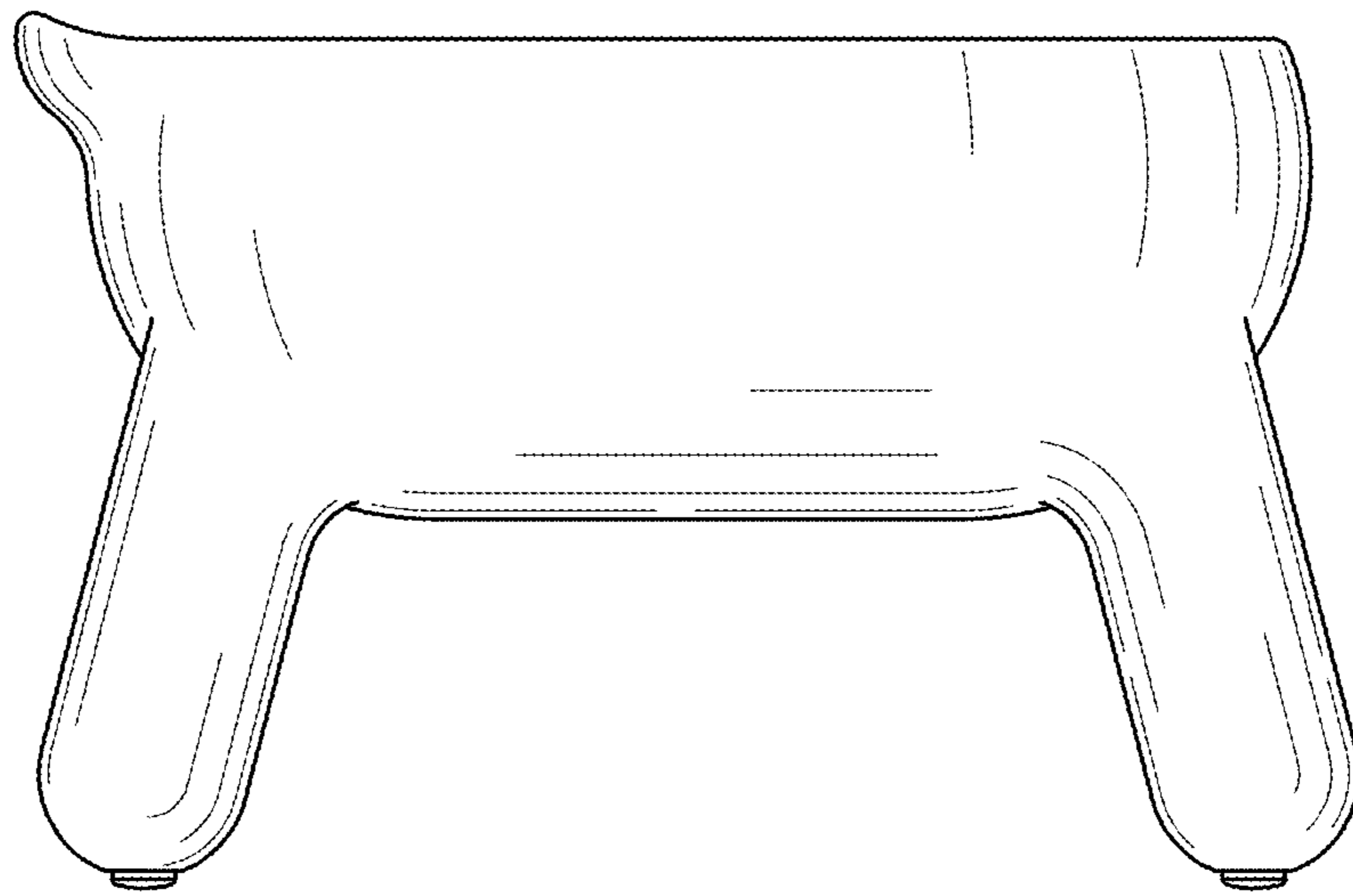


FIG. 3

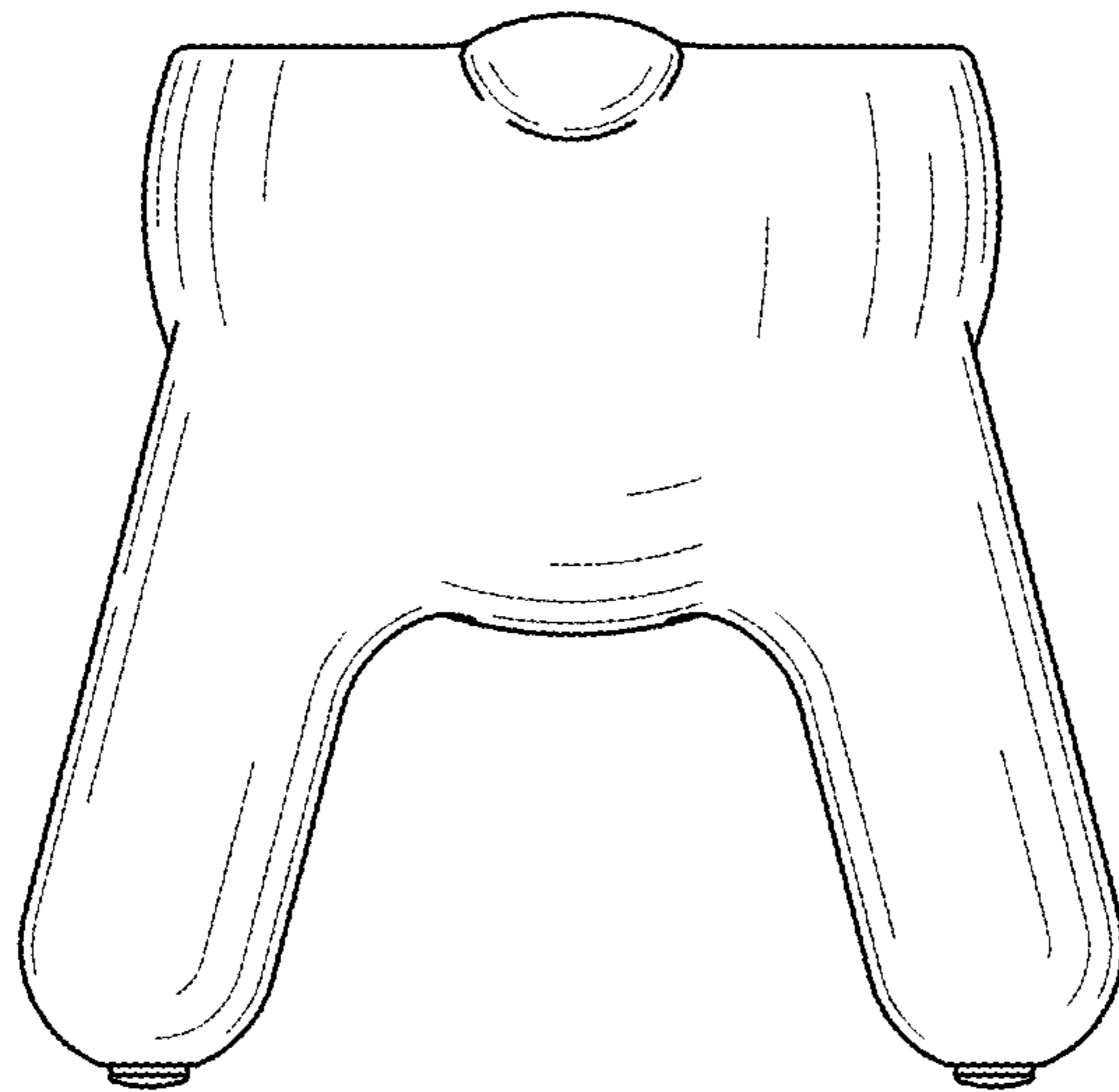


FIG. 4

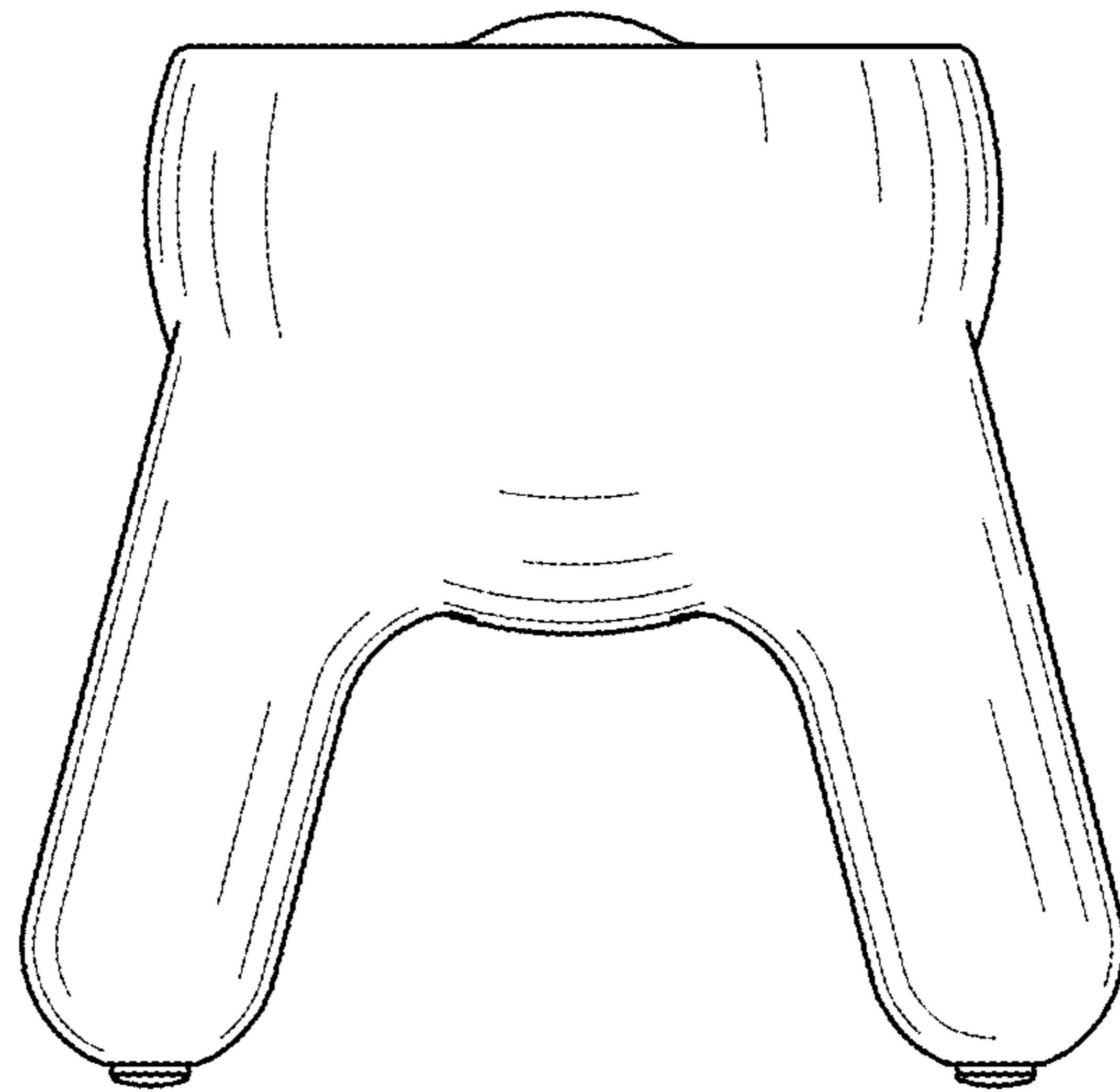


FIG. 5

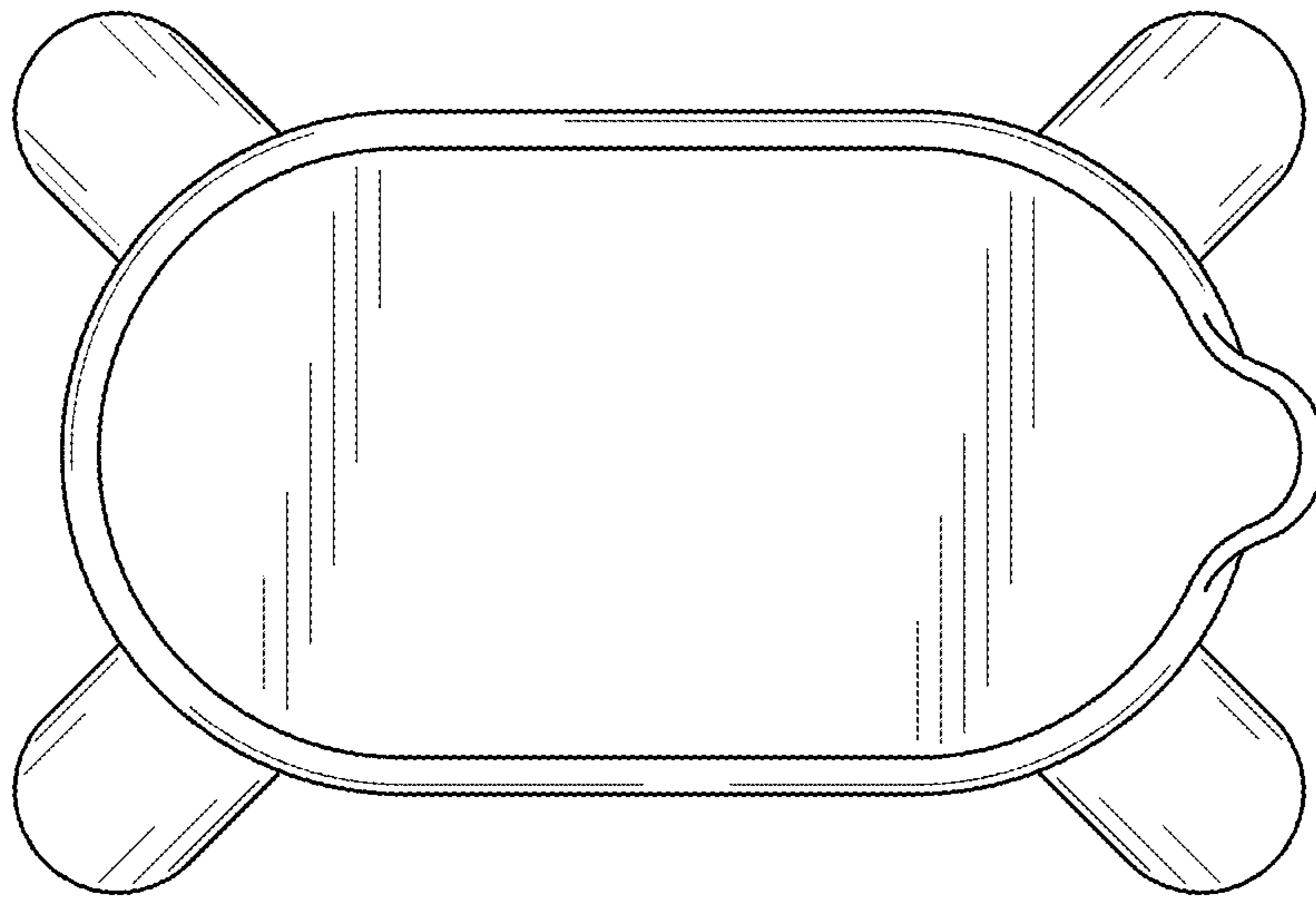


FIG. 6

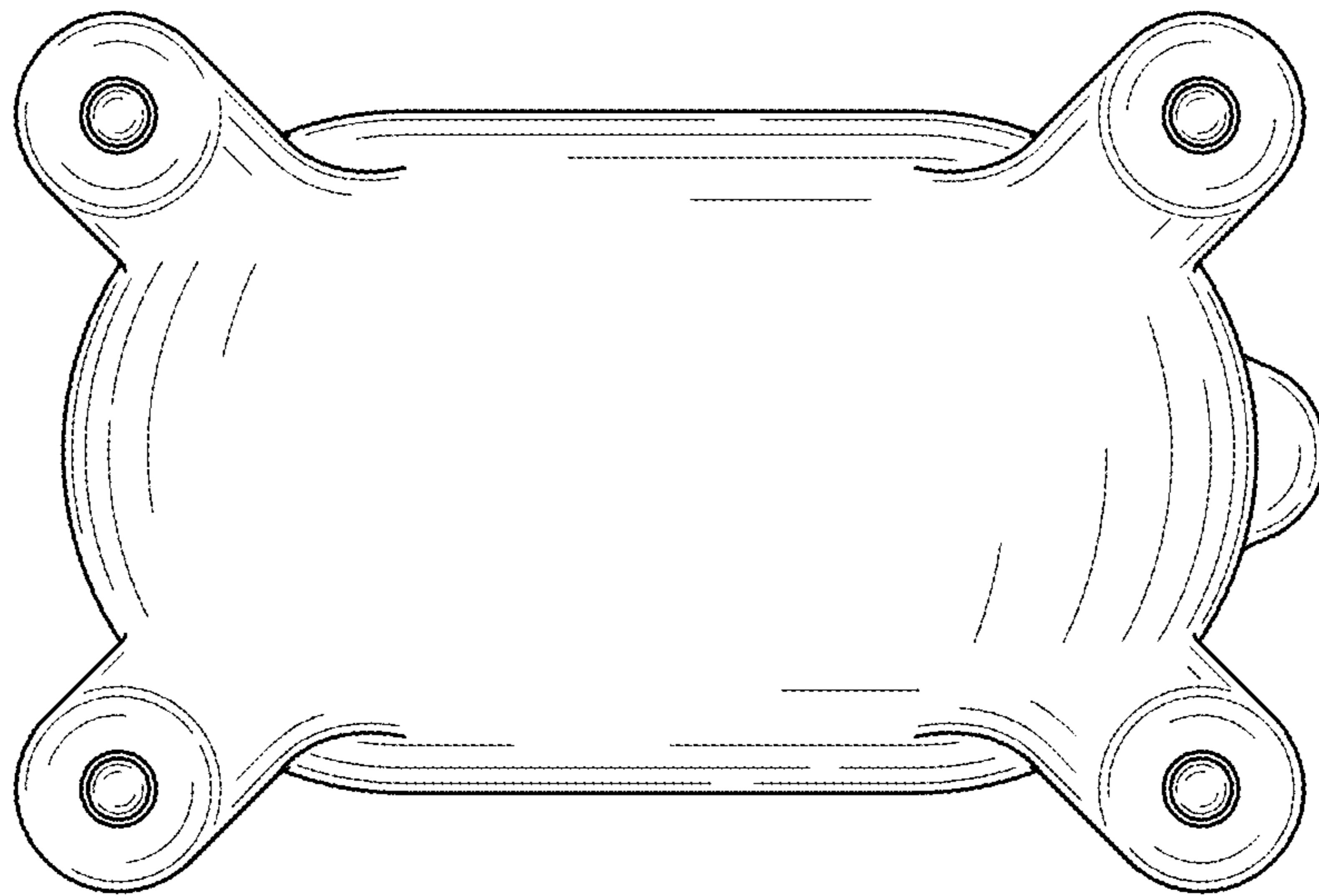


FIG. 7