

US00D806411S

(12) **United States Design Patent** (10) **Patent No.:** **US D806,411 S**  
**Dassen et al.** (45) **Date of Patent:** **\*\* Jan. 2, 2018**

(54) **CHAIR**  
(71) Applicant: **Haworth, Inc.**, Holland, MI (US)  
(72) Inventors: **Arne Dassen**, Holland, MI (US); **Peng Zhan**, Grand Rapids, MI (US); **Rodger Eich**, Holland, MI (US)  
(73) Assignee: **Haworth, Inc.**, Holland, MI (US)  
(\*\*) Term: **15 Years**

D431,117 S \* 9/2000 Hutton ..... D6/334  
D439,752 S \* 4/2001 Natuzzi ..... D6/334  
D462,533 S \* 9/2002 Popham ..... D6/334  
D476,822 S \* 7/2003 Schweikarth ..... D6/381  
D489,188 S \* 5/2004 Ricci ..... D6/334  
D498,598 S \* 11/2004 Schweikarth ..... D6/334  
D532,984 S \* 12/2006 Bennett ..... D6/367  
D551,464 S \* 9/2007 Natuzzi ..... D6/381  
D586,131 S \* 2/2009 Cramer ..... D6/334  
D604,519 S 11/2009 Beckley et al.  
D615,782 S 5/2010 Beckley et al.  
D703,960 S \* 5/2014 Doyle ..... D6/334  
D766,636 S \* 9/2016 Putnam ..... D6/709

\* cited by examiner

(21) Appl. No.: **29/584,136**  
(22) Filed: **Nov. 11, 2016**  
(51) **LOC (11) Cl.** ..... **06-07**  
(52) **U.S. Cl.**  
USPC ..... **D6/334**  
(58) **Field of Classification Search**  
USPC ..... D6/334, 335, 336, 360, 361, 367, 368,  
D6/371-375, 379-381, 716, 716.1-716.8  
CPC .... A47C 7/00; A47C 7/62; A47C 7/18; A47C  
7/54; A47C 4/00; A47C 4/028; A47C  
4/28; A47C 3/16; A47C 3/04; A47C 3/12;  
A47C 1/02; A47C 1/14  
See application file for complete search history.

*Primary Examiner* — Deanna L Pratt  
(74) *Attorney, Agent, or Firm* — Warner Norcross & Judd  
LLP

(57) **CLAIM**

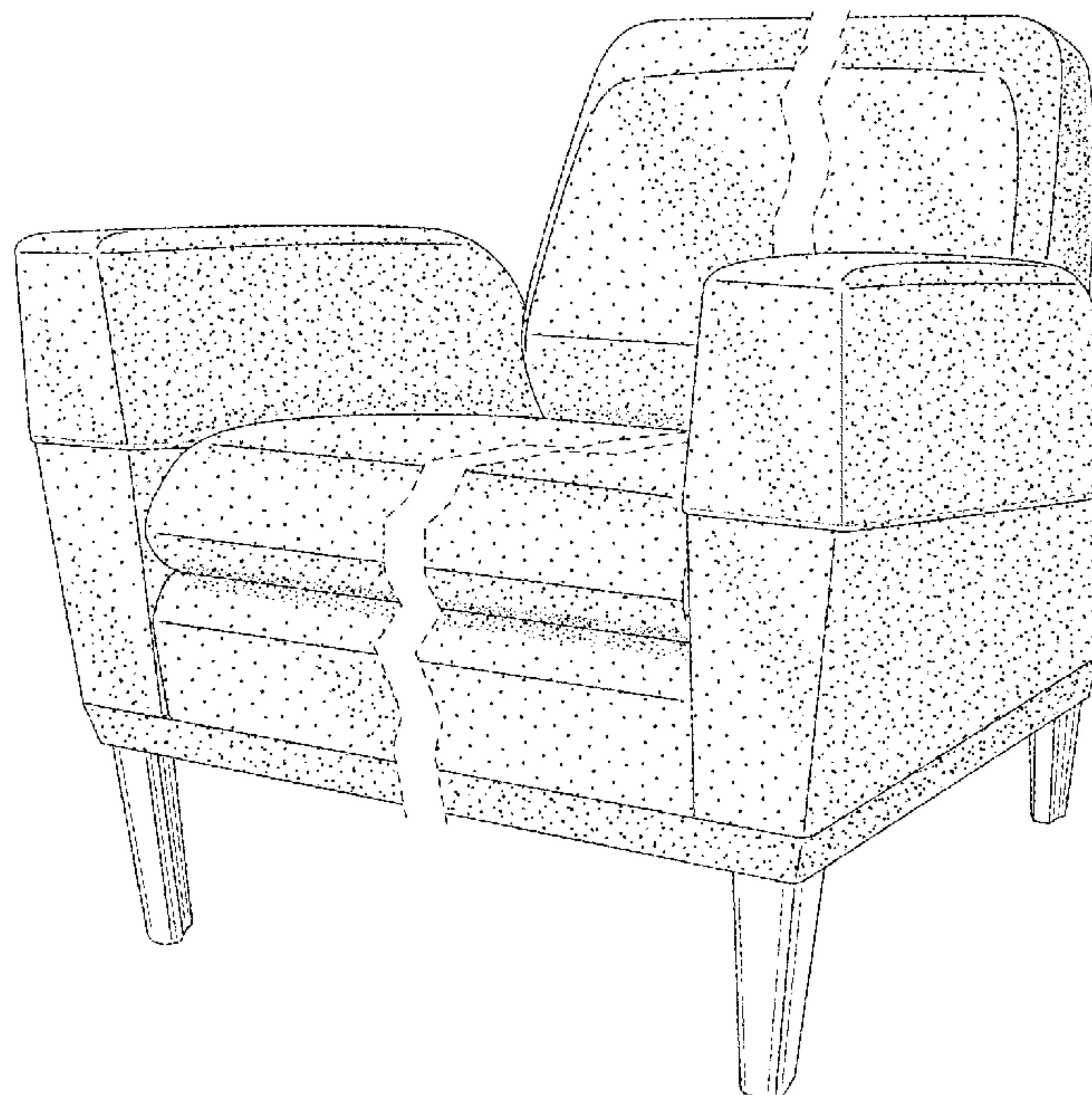
The ornamental design for a chair, as shown and described.

**DESCRIPTION**

FIG. 1 is a front perspective view of the chair embodying the new design;  
FIG. 2 is a right side view thereof, the left side being a mirror image thereof;  
FIG. 3 is a front view thereof;  
FIG. 4 is a rear view thereof;  
FIG. 5 is a top view thereof; and,  
FIG. 6 is a bottom view thereof.  
The broken lines in the drawings illustrate a symbolic break in the length of the chair. The appearance of any portion of the chair between the break lines forms no part of the claimed design.

(56) **References Cited**  
U.S. PATENT DOCUMENTS  
D158,046 S \* 4/1950 Carr ..... D6/334  
2,605,820 A \* 8/1952 Powellek ..... A47C 4/02  
292/8  
D368,377 S \* 4/1996 Laslo ..... D6/334  
D403,515 S \* 1/1999 Lewis ..... D6/334  
D424,317 S \* 5/2000 Natuzzi ..... D6/334  
D425,318 S \* 5/2000 Koncar ..... D6/334

**1 Claim, 6 Drawing Sheets**



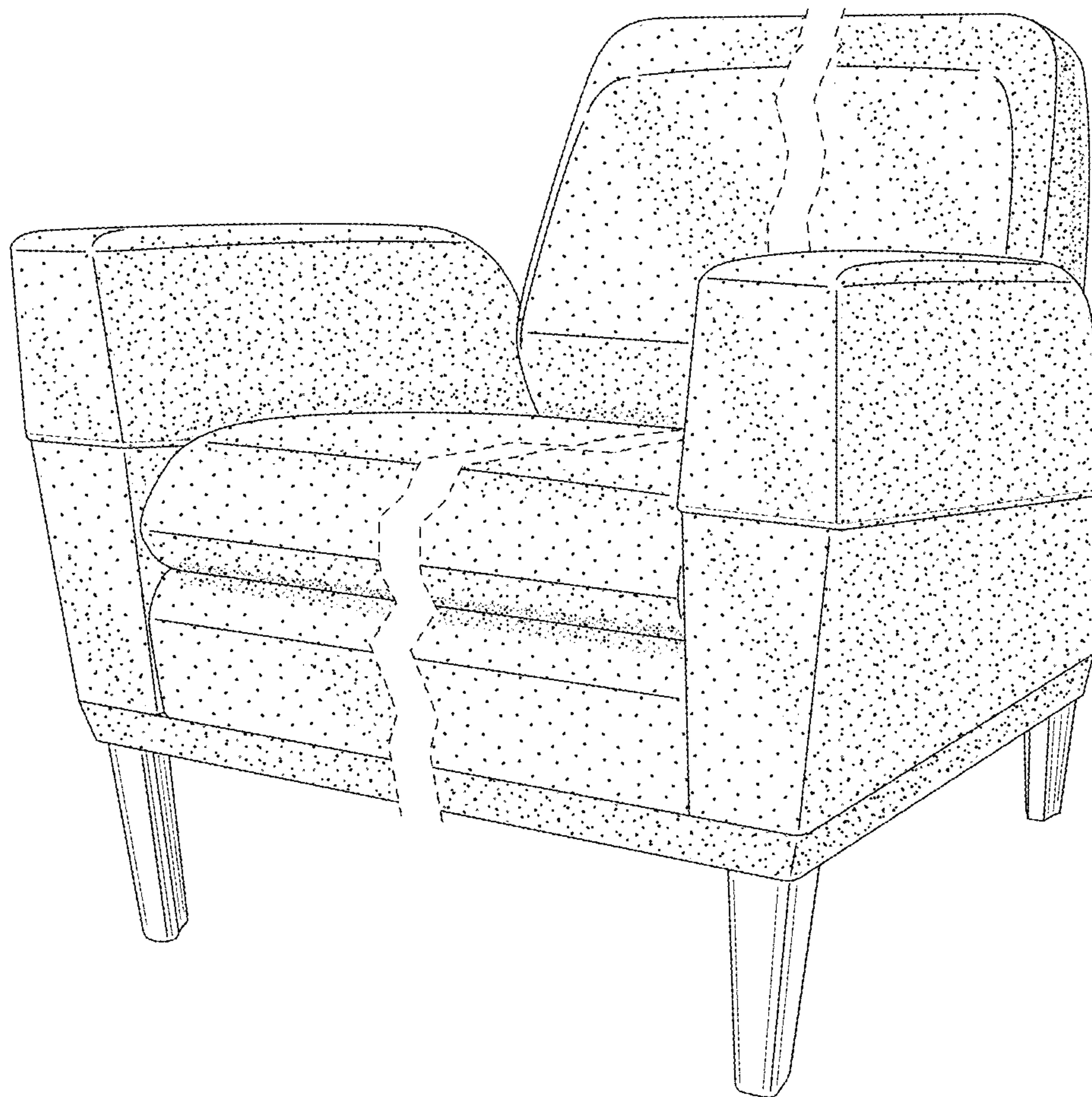


Fig. 1

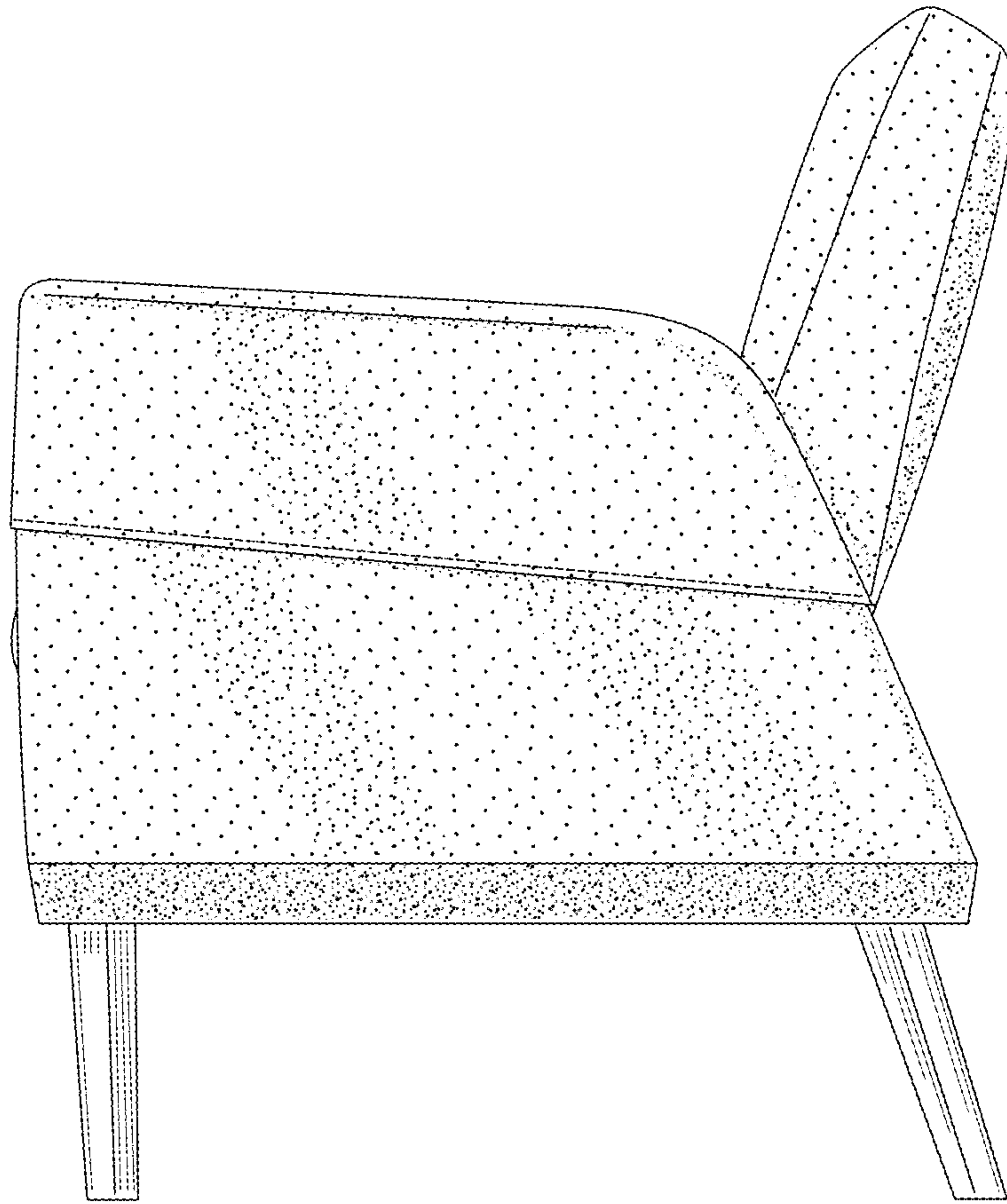


Fig. 2



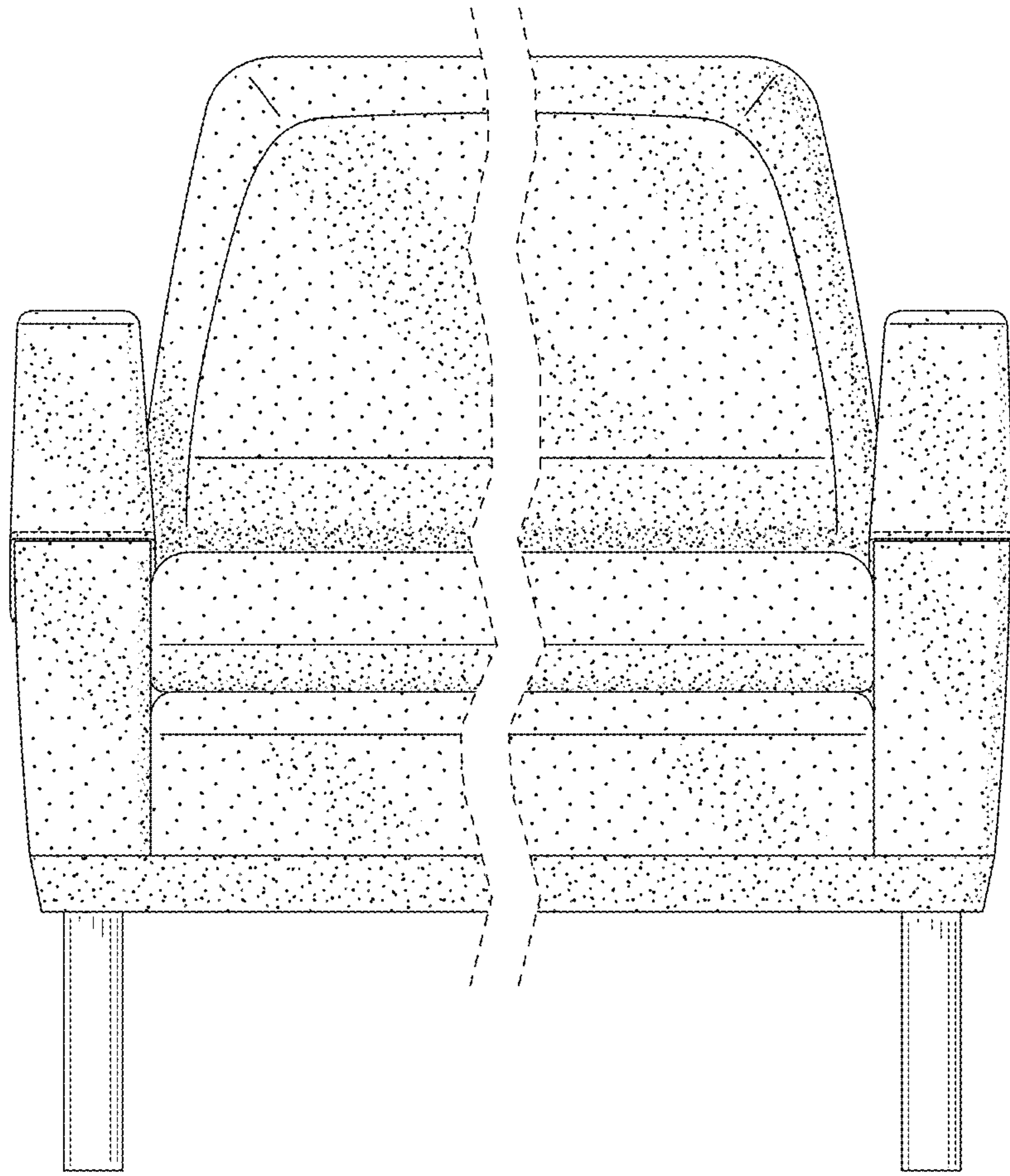


Fig. 3

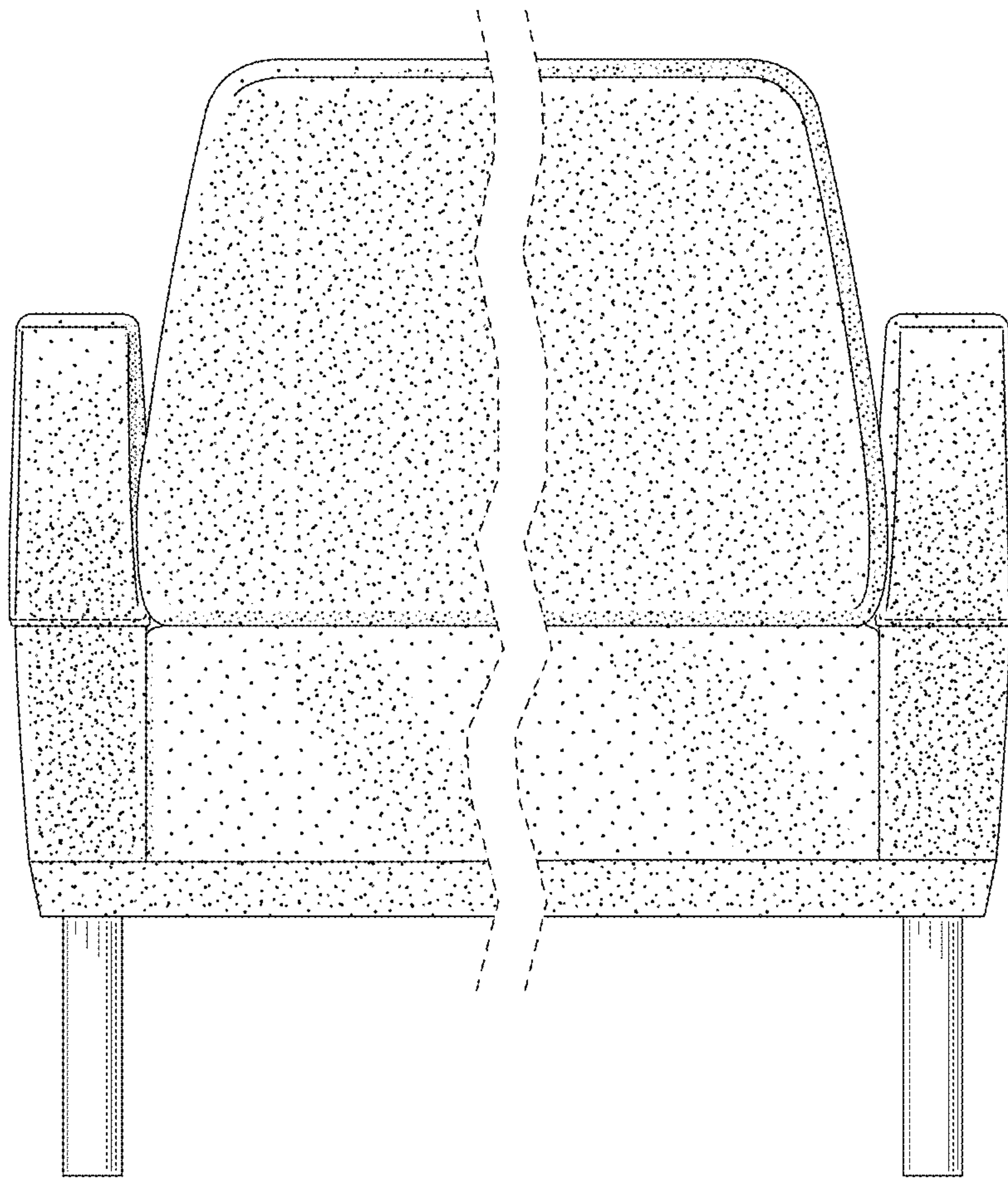


Fig. 4

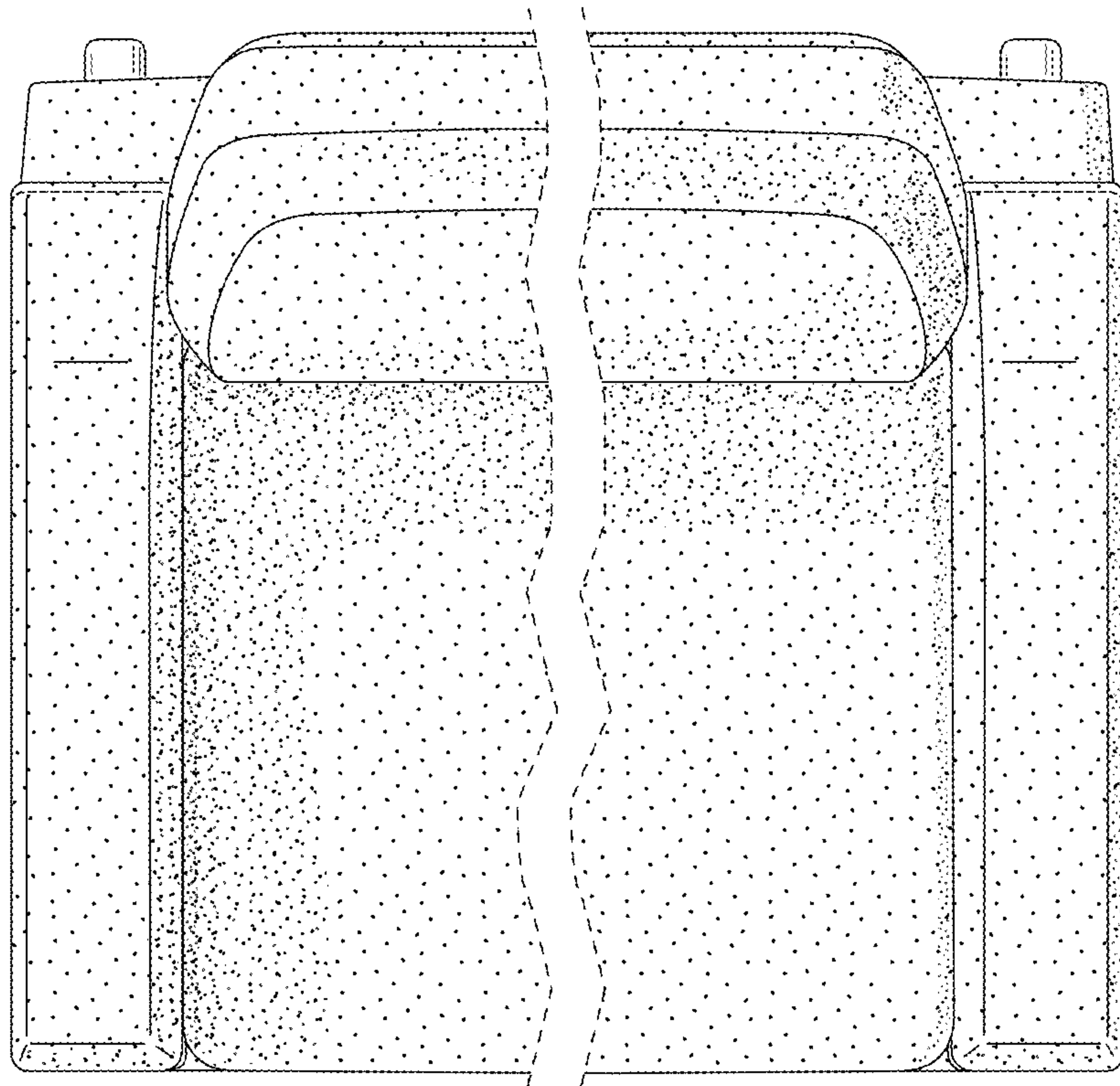


Fig. 5

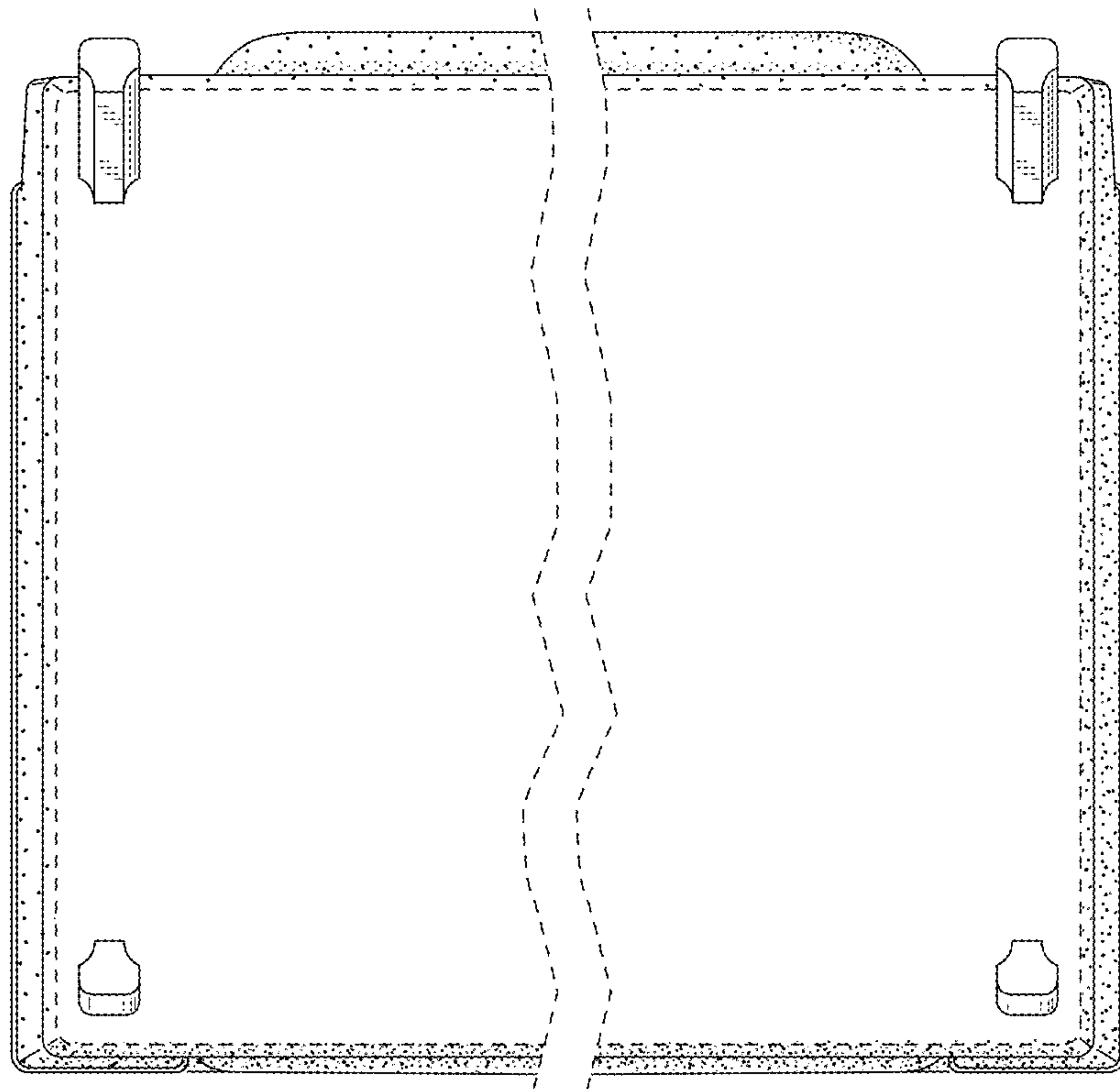


Fig. 6