



US00D806408S

(12) **United States Design Patent**
Womble

(10) **Patent No.:** **US D806,408 S**

(45) **Date of Patent:** **** Jan. 2, 2018**

(54) **CLOTHING DISPLAY**

(71) Applicant: **Barbara Bailey Womble**, Dallas, TX
(US)

(72) Inventor: **Barbara Bailey Womble**, Dallas, TX
(US)

(**) Term: **15 Years**

(21) Appl. No.: **29/546,271**

(22) Filed: **Nov. 20, 2015**

Related U.S. Application Data

(63) Continuation-in-part of application No. 13/854,552,
filed on Apr. 1, 2013.

(51) **LOC (11) Cl.** **06-08**

(52) **U.S. Cl.**
USPC **D6/327**

(58) **Field of Classification Search**
USPC D6/315-328, 513, 514, 546, 548, 552;
223/85-98; 211/1, 10, 13.1, 30, 32, 85.3,
211/85.7, 87.01, 105.1, 113, 123, 193;
248/214
CPC A47G 25/32; A47G 25/28; A47G 25/10;
A47G 25/743; A47G 25/746; A47G
25/36; A47G 25/0664; A47G 29/08;
A47G 33/1246; A47G 29/00; A47F
5/0006; A47F 7/06; A47F 5/0018; A47F
5/08; A47F 7/19; A47F 7/0028; A47F
5/0823; A47F 5/0815; A47F 5/0876;
A47F 5/101

See application file for complete search history.

(56) **References Cited**

U.S. PATENT DOCUMENTS

D76,618 S * 10/1928 Krafthefer D6/323
D154,684 S 8/1949 Hufeld
3,002,666 A * 10/1961 Silverman B60R 7/10
211/123

D191,944 S 12/1961 Reynolds

(Continued)

Primary Examiner — Lauren Calve

(74) *Attorney, Agent, or Firm* — Eldredge Law Firm;
Richard G. Eldredge

(57) **CLAIM**

The ornamental design for a clothing display, as shown and
described.

DESCRIPTION

FIG. 1 is a perspective view of a clothing display showing
my new design;

FIG. 2 is a partially enlarged side elevation view thereof
according to the broken rectangle in FIG. 1;

FIG. 3 is a second partially enlarged side elevation view
thereof according to the broken rectangle in FIG. 1;

FIG. 4 is a partially enlarged top plan view thereof according
to the broken rectangle in FIG. 1;

FIG. 5 is a second partially enlarged top plan view thereof
according to the broken rectangle in FIG. 1;

FIG. 6 is a partially enlarged bottom plan view thereof
according to the broken rectangle in FIG. 1;

FIG. 7 is a second partially enlarged bottom plan view thereof
according to the broken rectangle in FIG. 1;

FIG. 8 is a perspective view of a clothing display according
to a second embodiment;

FIG. 9 is a partially enlarged side elevation view thereof
according to the broken rectangle in FIG. 8;

FIG. 10 is a second partially enlarged side elevation view
thereof according to the broken rectangle in FIG. 8;

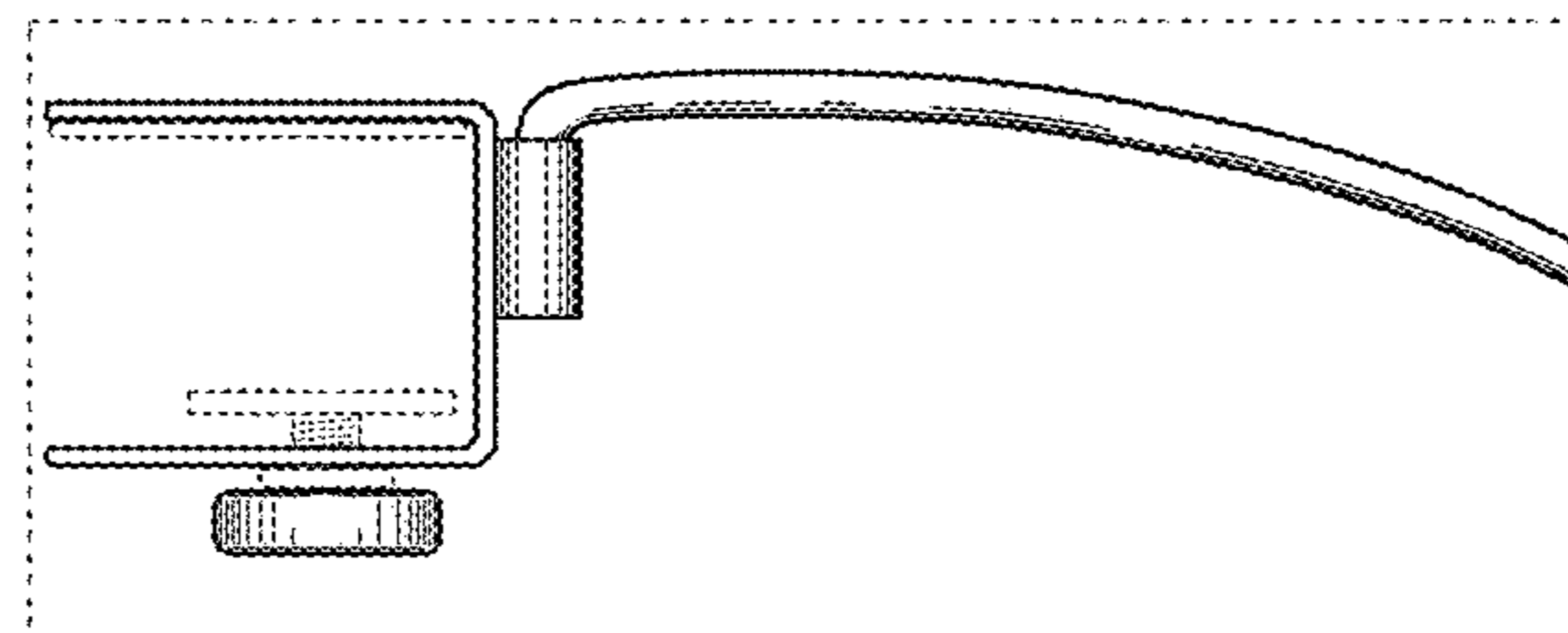
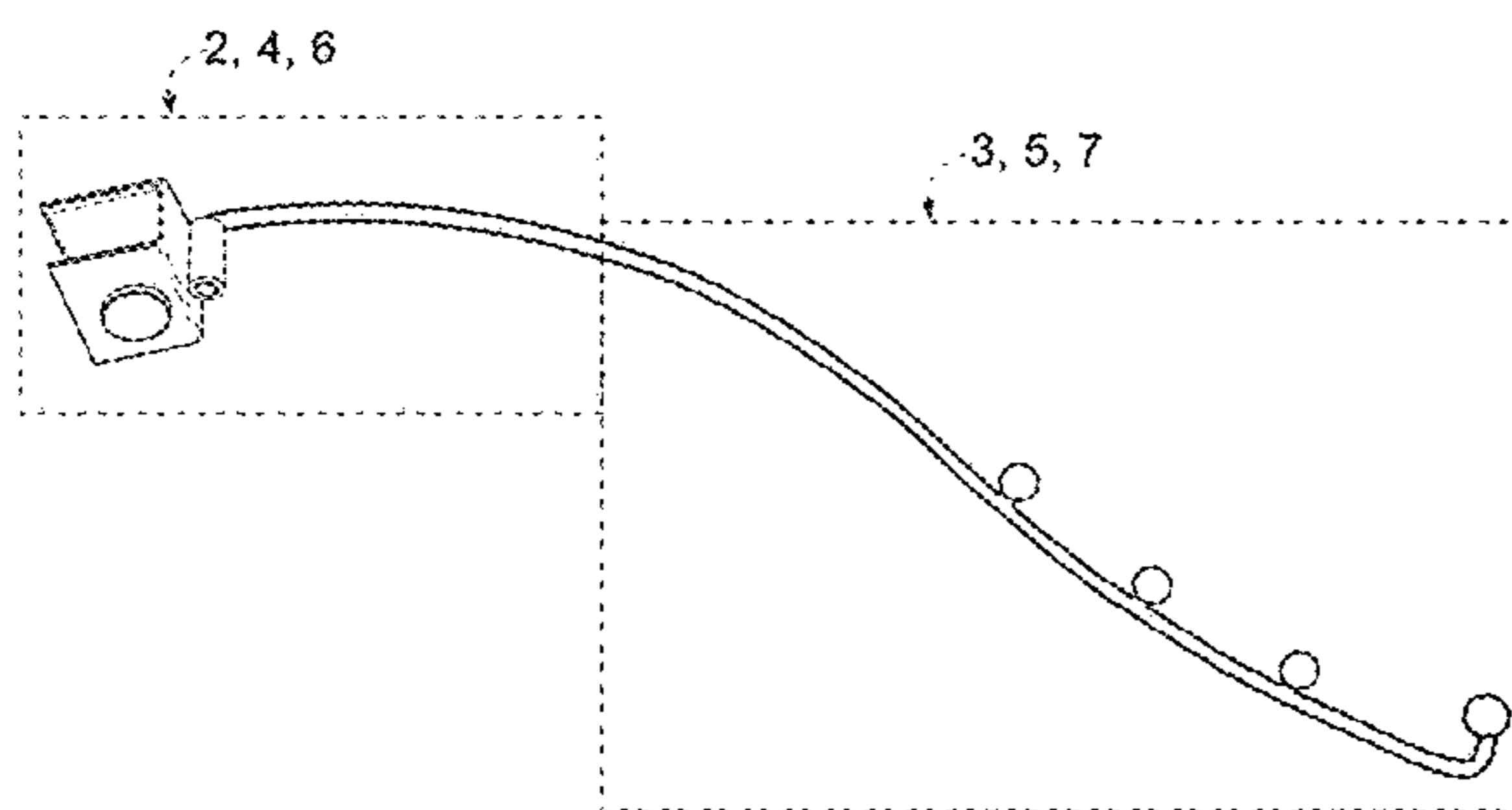
FIG. 11 is a partially enlarged top plan view thereof accord-
ing to the broken rectangle in FIG. 8; and,

FIG. 12 is a partially enlarged bottom plan view thereof
according to the broken rectangle in FIG. 8.

The broken lines shown represent unclaimed subject matter
and form no part of the claimed design.

The broken rectangles shown in the figures represent the
partial enlarged views and form no part of the claimed
design.

1 Claim, 7 Drawing Sheets



(56)

References Cited

U.S. PATENT DOCUMENTS

3,212,836 A * 10/1965 Johnson A47B 57/34
211/187
D236,053 S * 7/1975 Friedberg 211/96
D243,978 S * 4/1977 Lalletment D6/325
D245,134 S * 7/1977 Friedberg D6/324
4,078,756 A 3/1978 Cross
4,155,465 A 5/1979 Baublitz
4,316,547 A 2/1982 Varon
4,474,299 A 10/1984 Andrews
D278,106 S * 3/1985 Green D6/315
5,499,725 A * 3/1996 Palumbo A47K 3/001
211/105.1
D503,046 S * 3/2005 Caiazzo D6/327
D604,518 S * 11/2009 Scott D6/320
D654,704 S * 2/2012 Hanson D6/317
D660,604 S * 5/2012 Barnett D6/323
2006/0278594 A1 * 12/2006 Macon A47G 25/0692
211/123
2014/0291461 A1 * 10/2014 Womble A47F 5/0838
248/214
2015/0034581 A1 * 2/2015 Hsu A47H 1/122
211/105.3

* cited by examiner

FIG. 2

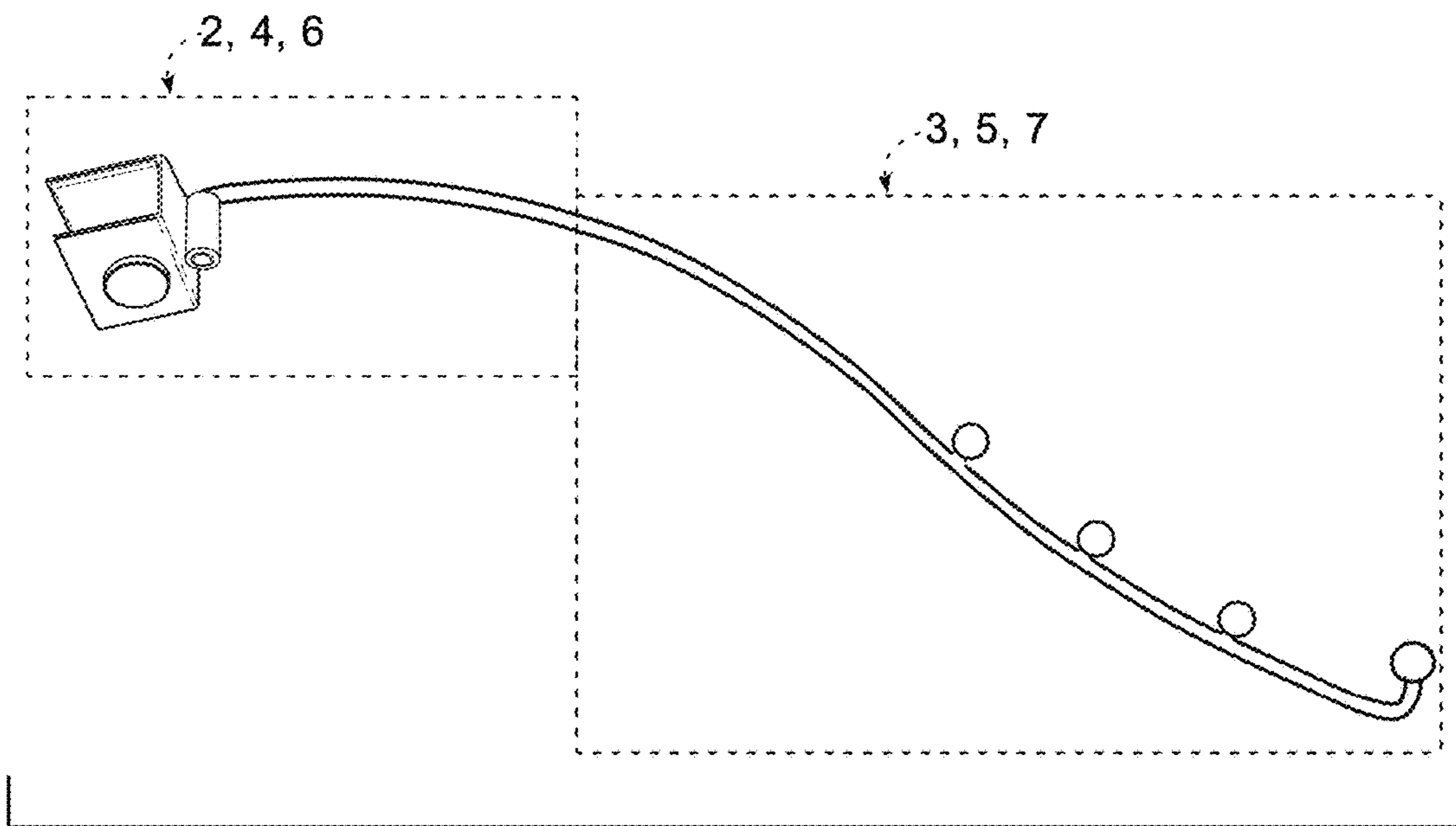
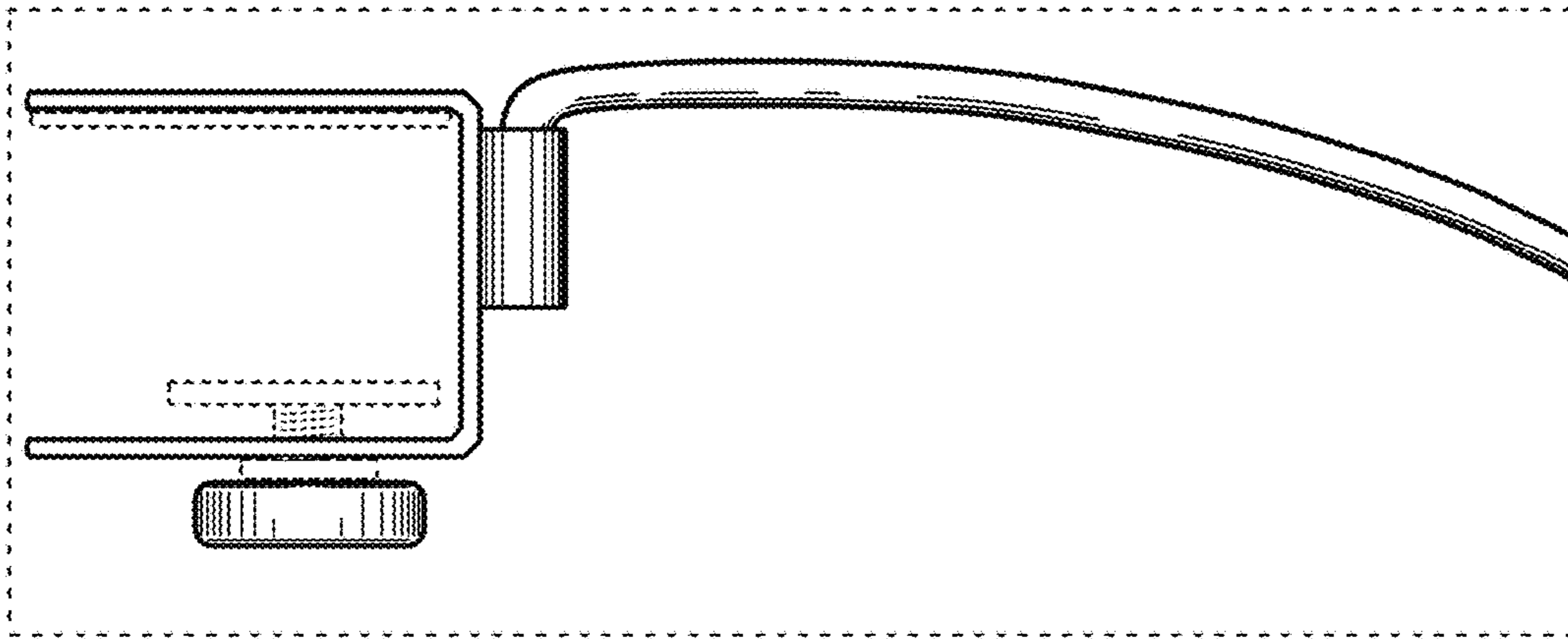


FIG. 1

FIG.3

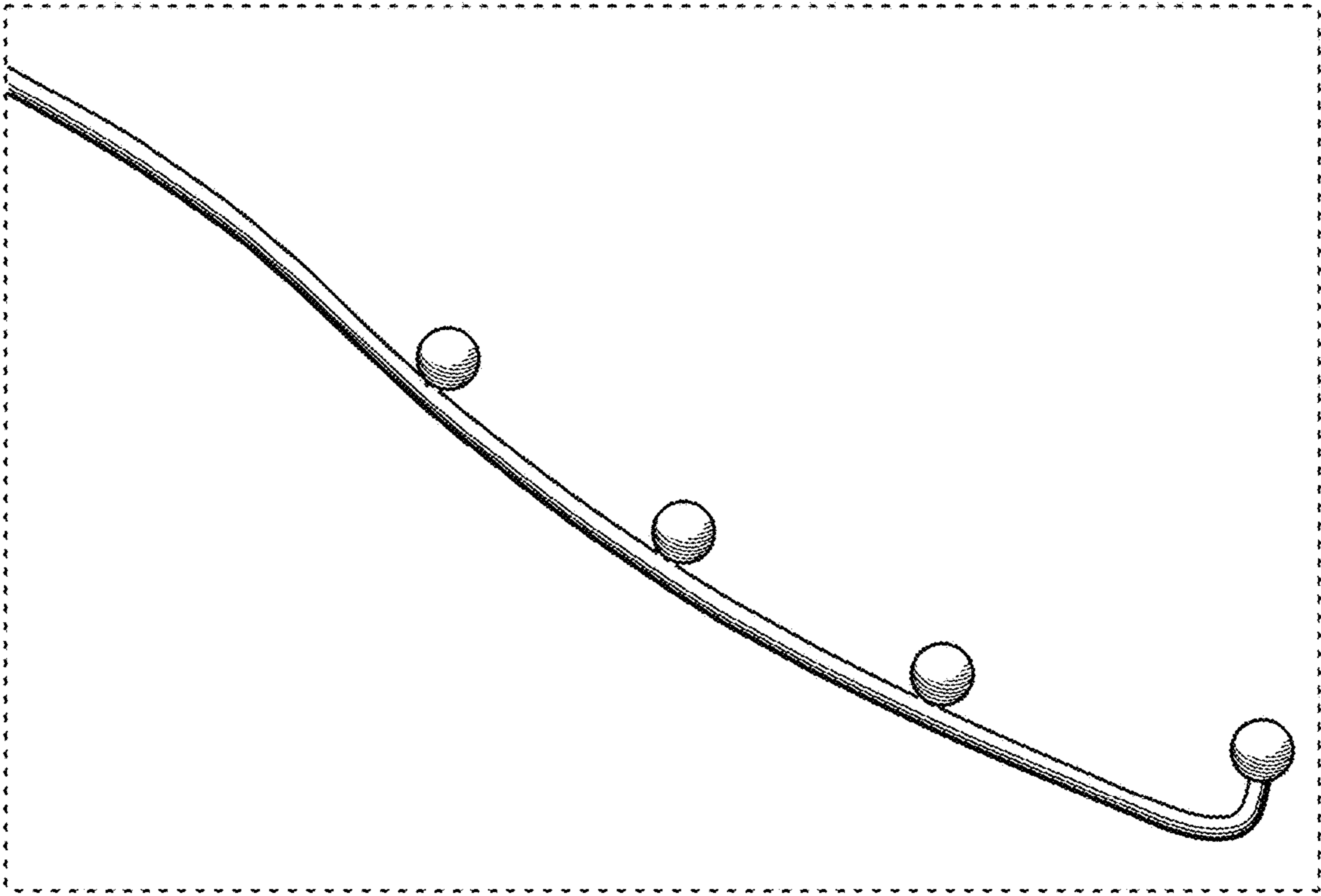


FIG. 4

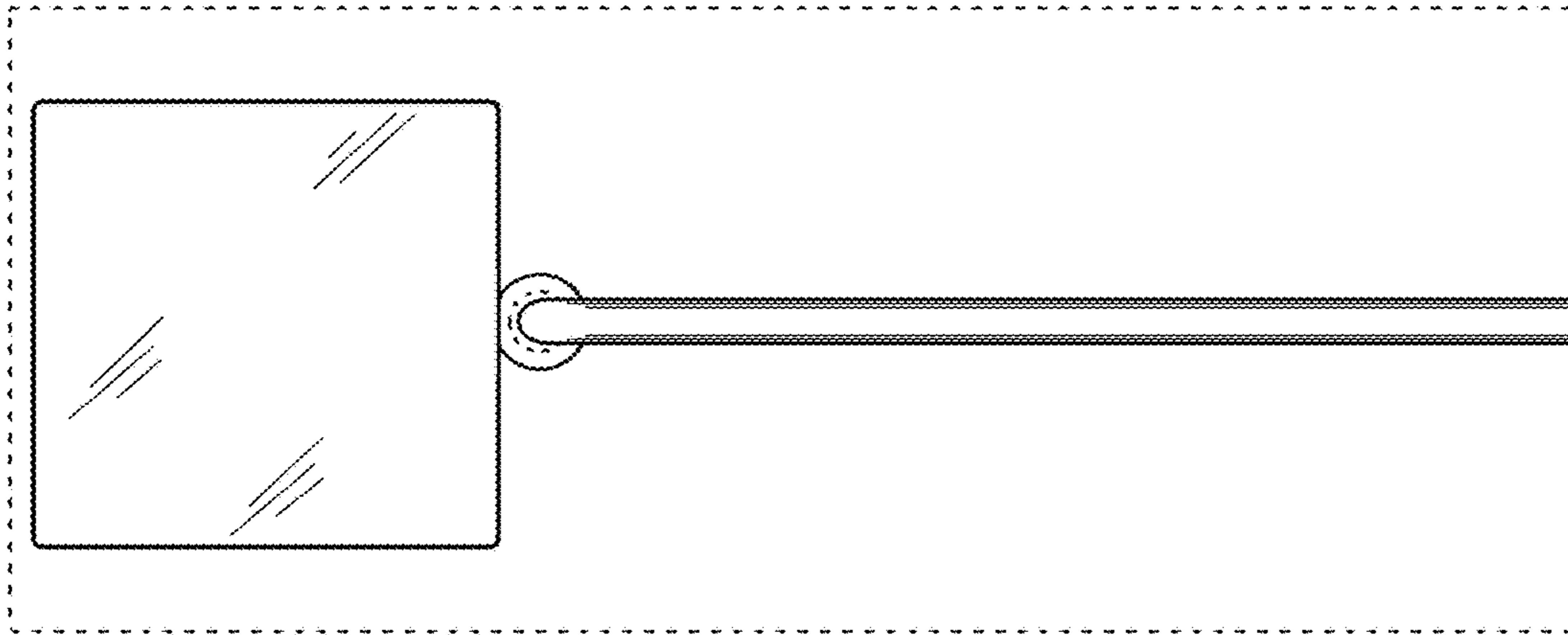


FIG. 6

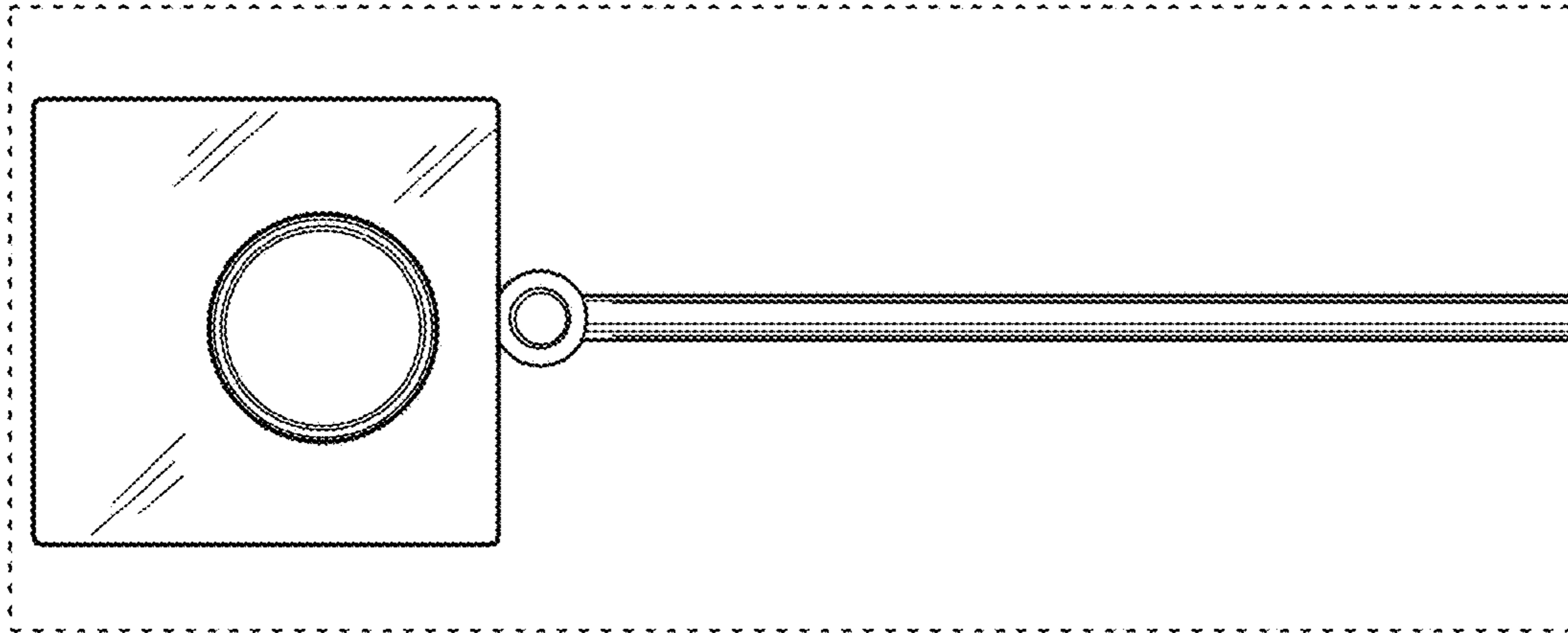


FIG. 5

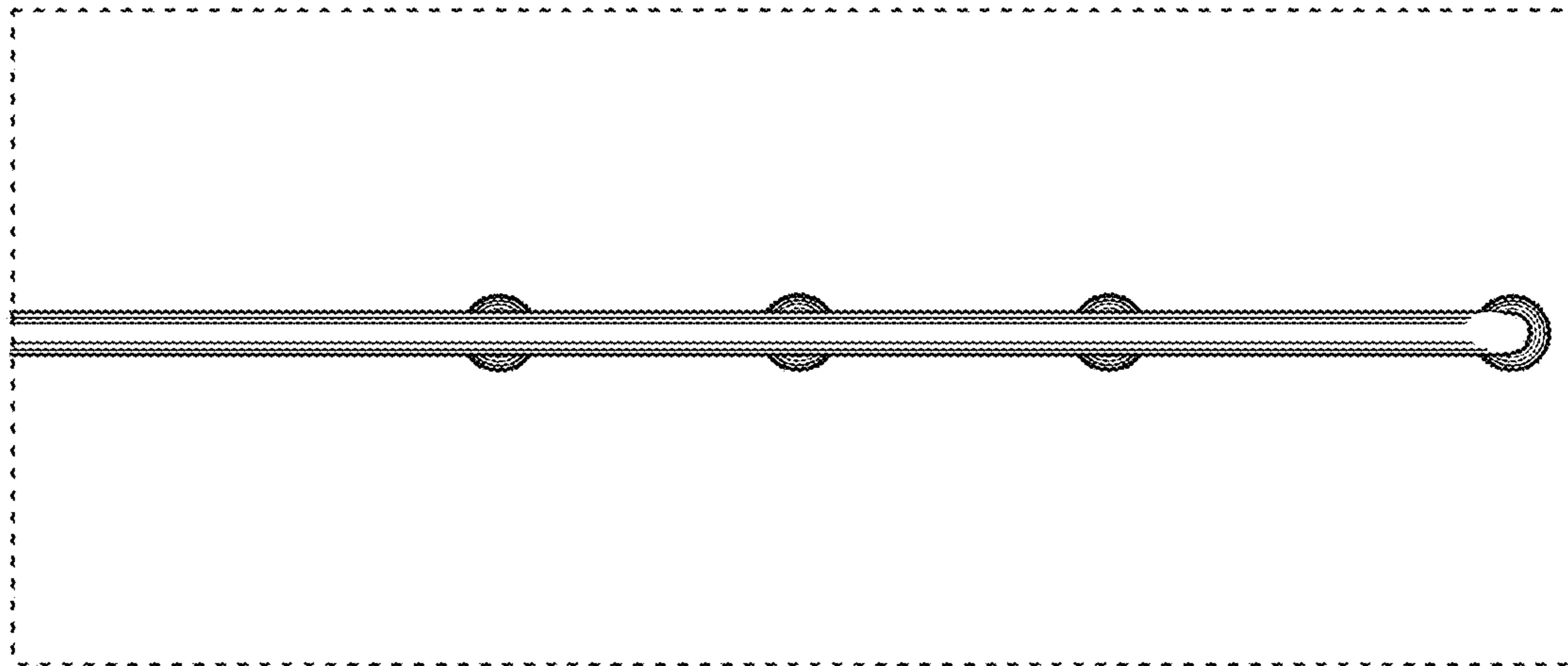
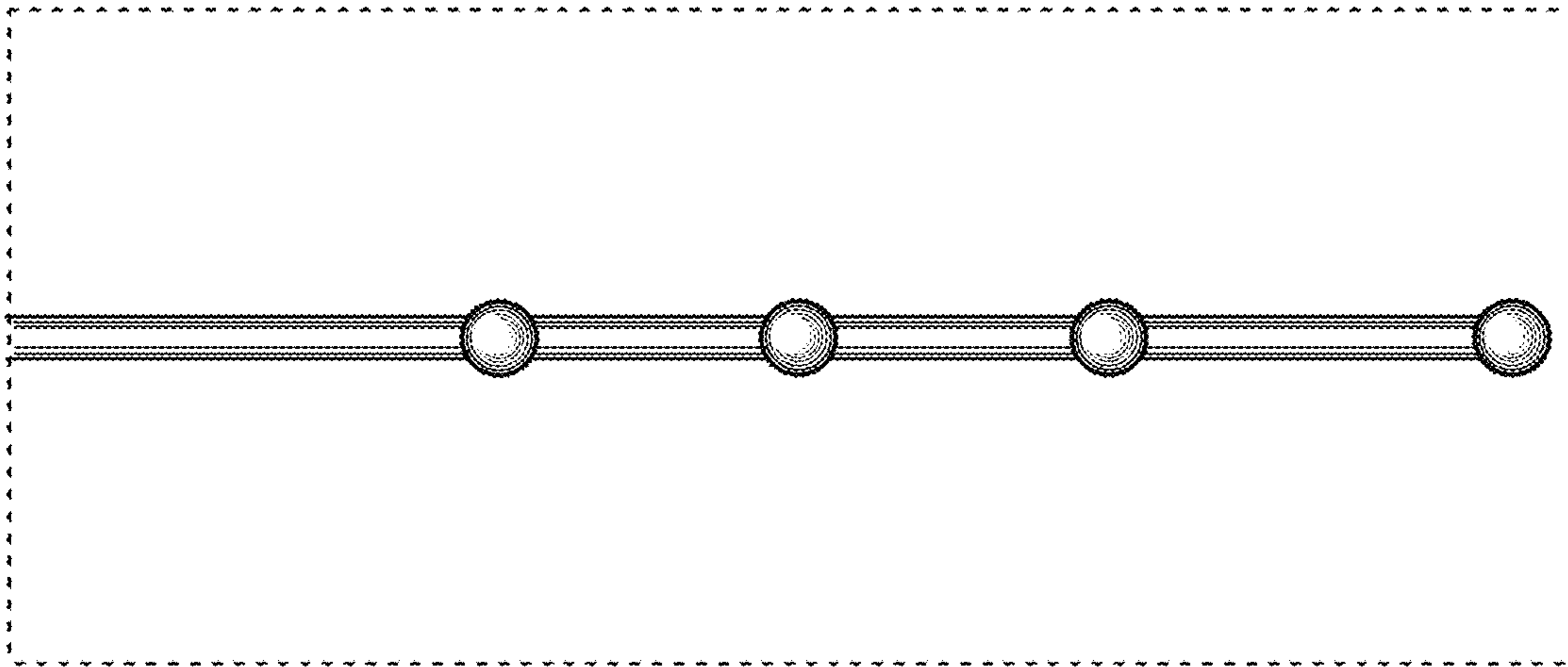


FIG. 7

FIG. 9

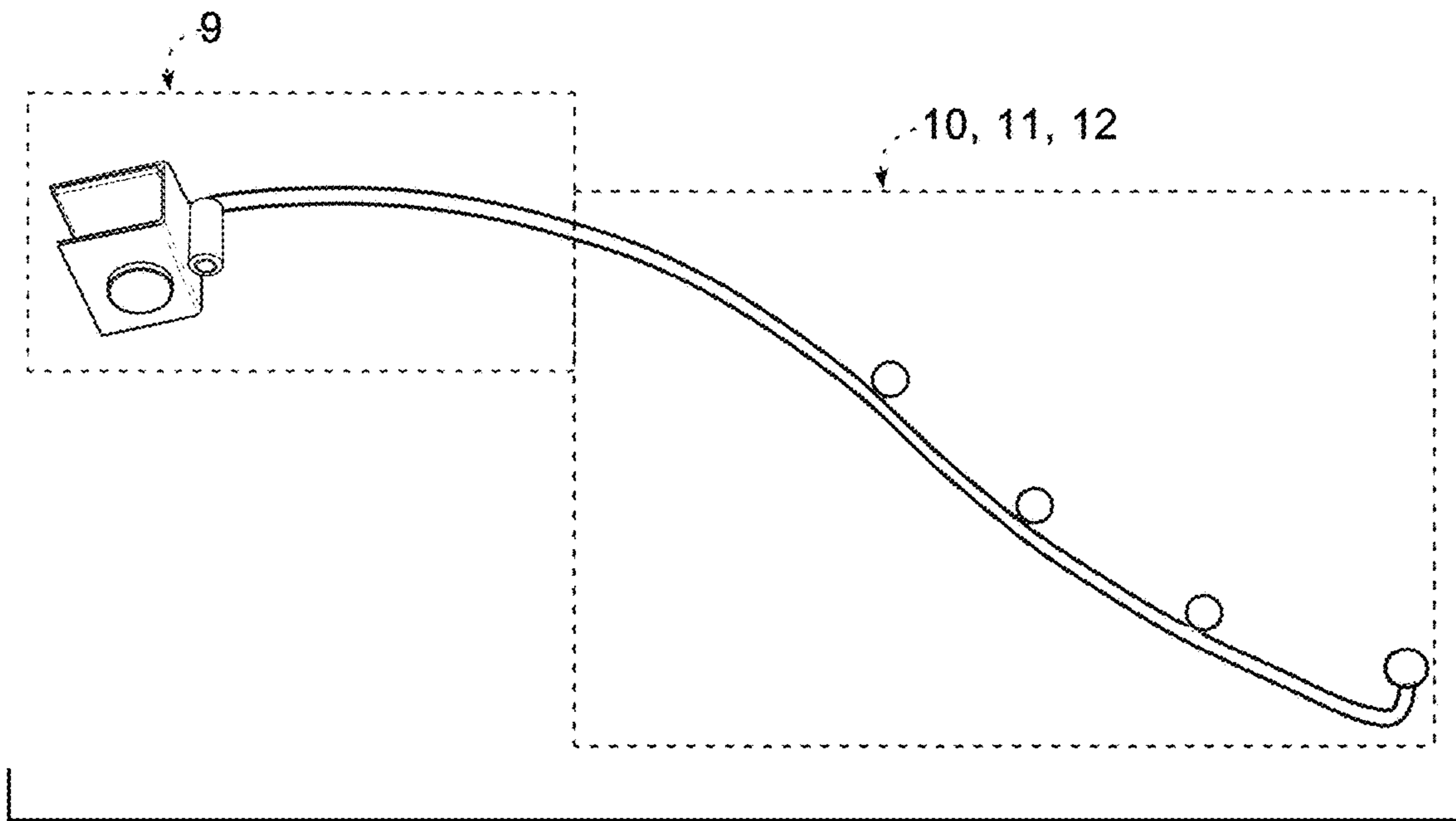
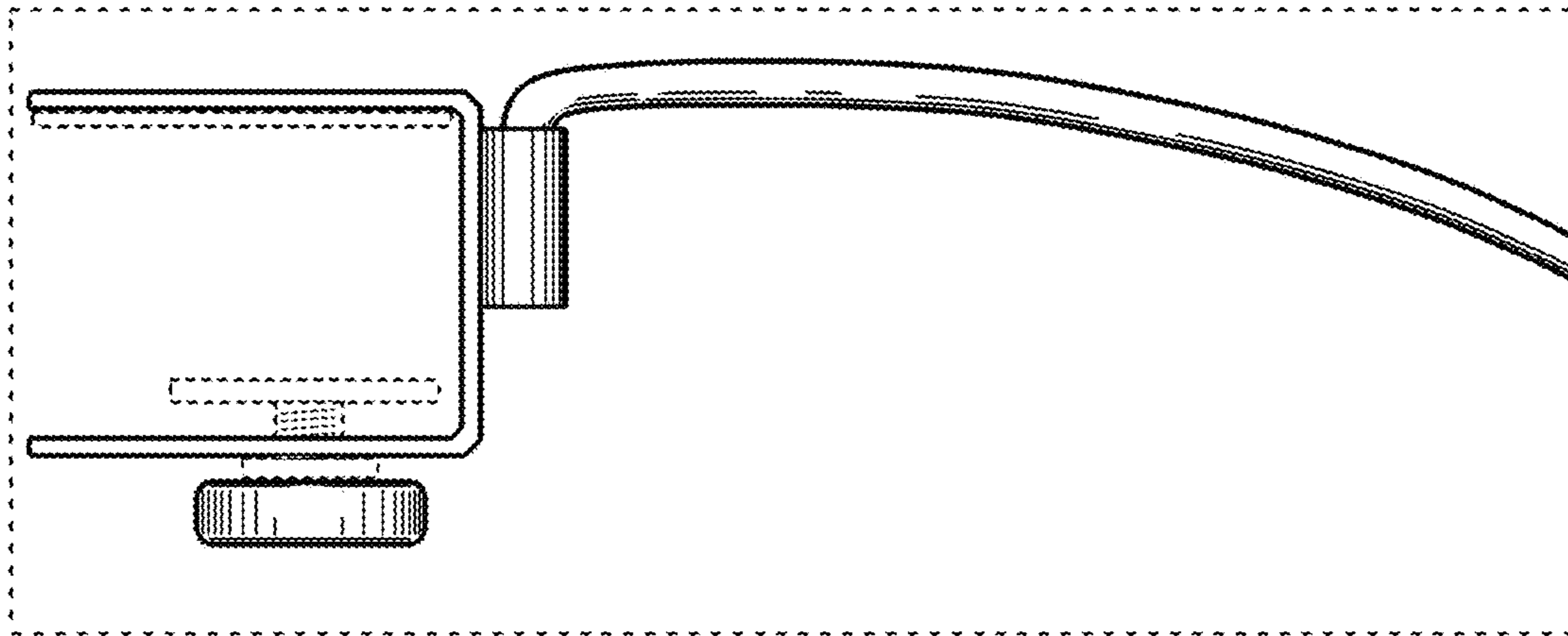


FIG. 8

FIG.10

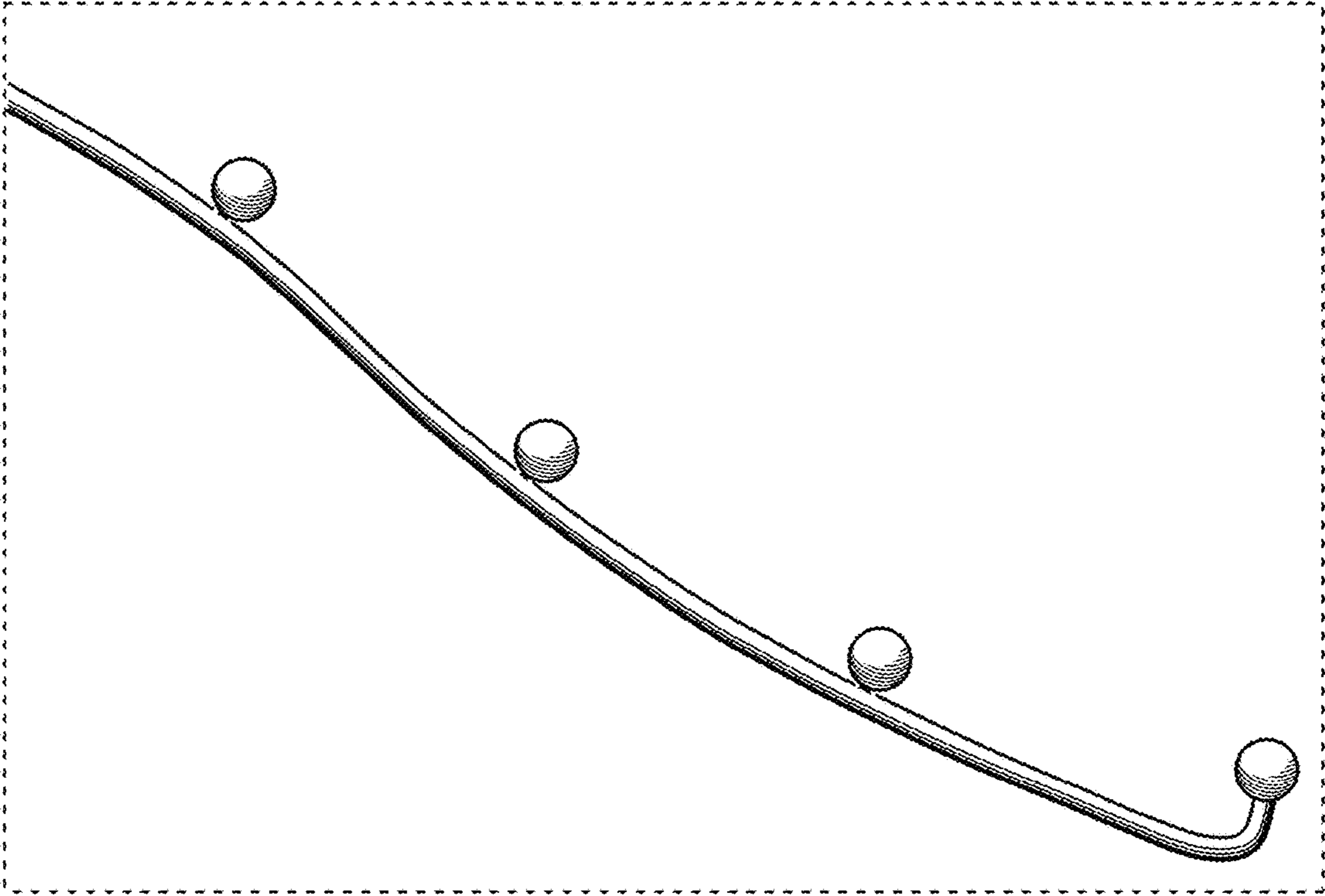


FIG. 11

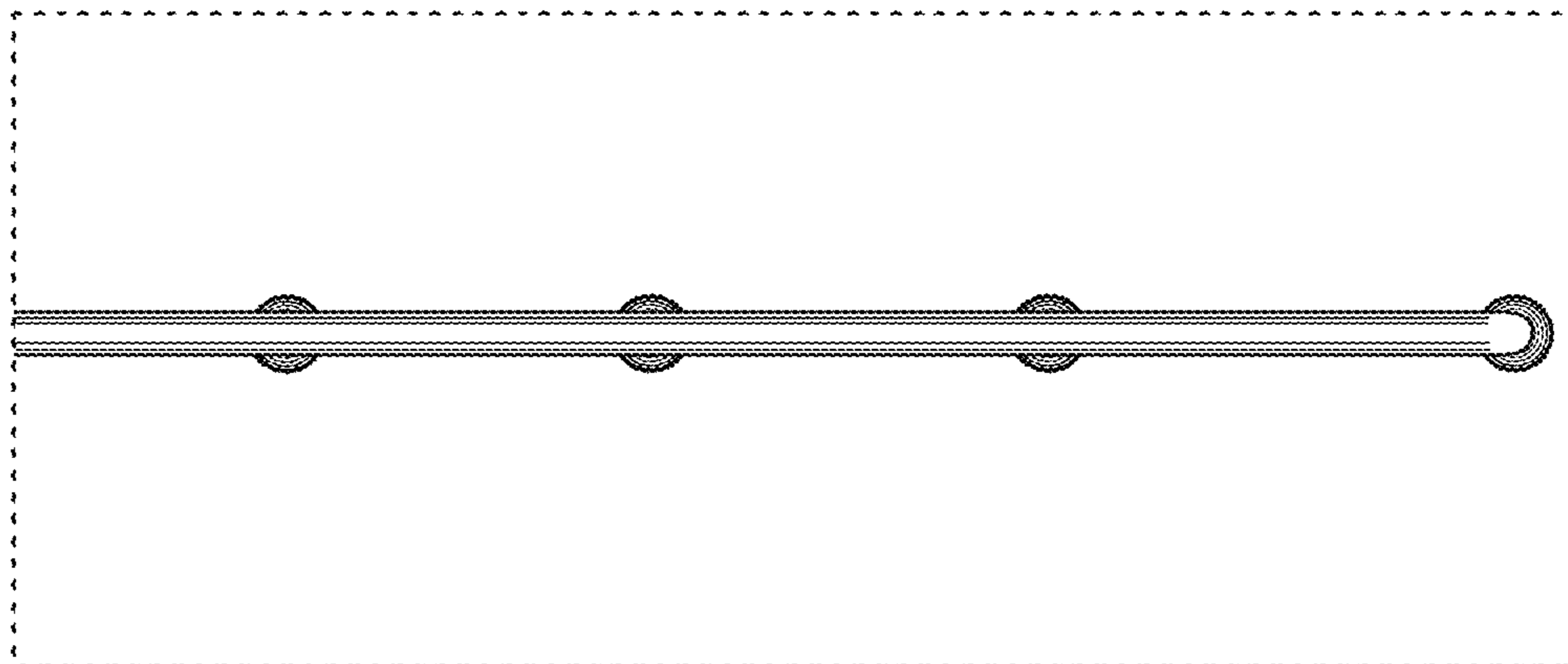
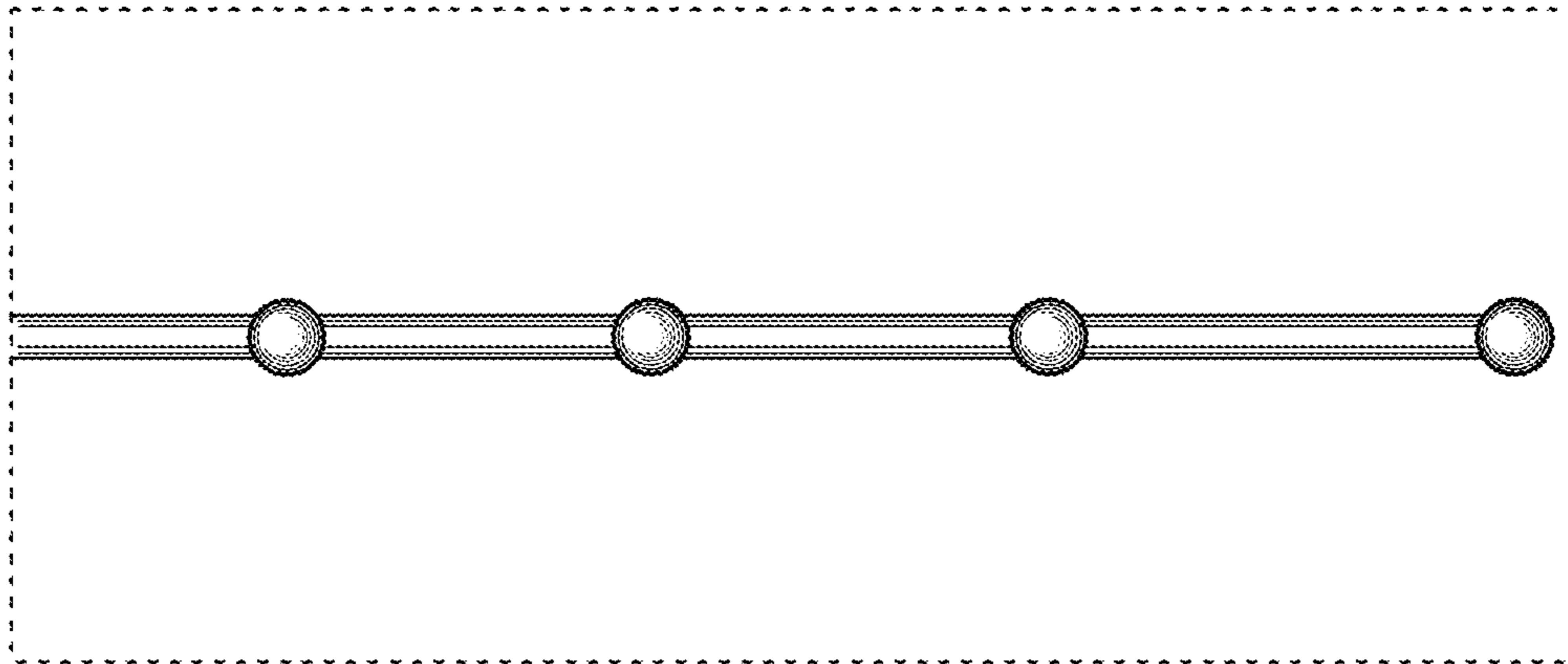


FIG. 12