



US00D806407S

(12) **United States Design Patent** (10) **Patent No.:** **US D806,407 S**  
**Nelson** (45) **Date of Patent:** **\*\* Jan. 2, 2018**

(54) **COLLAPSIBLE TIE RACK**  
(71) Applicant: **Daniel C. Nelson**, Adena, OH (US)  
(72) Inventor: **Daniel C. Nelson**, Adena, OH (US)  
(\*\*) Term: **15 Years**  
(21) Appl. No.: **29/572,664**  
(22) Filed: **Jul. 29, 2016**  
(51) **LOC (11) Cl.** ..... **06-08**  
(52) **U.S. Cl.**  
USPC ..... **D6/324**  
(58) **Field of Classification Search**  
USPC ..... D6/315-328, 512, 513, 569-572;  
223/85-98; 211/13.1, 85.3, 60.1, 63,  
211/70.1, 86.01, 87.01, 106.01; D8/356,  
D8/367, 372  
CPC ..... A47G 25/32; A47G 25/28; A47G 25/743;  
A47G 25/26; A47G 25/30; A47G  
25/1442; A47G 25/06; A47G 25/38;  
A47G 25/50; A47G 25/06; A47G 25/74;  
A47G 25/1414; A47G 25/34; A47G  
29/08; A47G 29/00; A47F 5/0006; A47F  
7/19; A47F 7/12  
See application file for complete search history.

(56) **References Cited**  
U.S. PATENT DOCUMENTS  
D135,656 S \* 5/1943 Williams ..... D6/324  
2,429,041 A \* 10/1947 Anderson ..... A47G 25/0685  
211/100  
D149,103 S \* 3/1948 Atkins ..... D6/324  
D151,402 S \* 10/1948 Ragland ..... D6/324  
2,474,436 A \* 6/1949 Pestyner ..... A47G 25/746  
211/104

D271,546 S \* 11/1983 Smith ..... D6/324  
D276,195 S \* 11/1984 Smith ..... D6/324  
D301,524 S \* 6/1989 Trafford ..... D6/324  
D324,784 S \* 3/1992 Rose ..... D6/324  
D409,847 S \* 5/1999 Augspurger ..... D6/315  
D503,046 S \* 3/2005 Caiazza ..... A47G 25/06  
D6/327  
D775,477 S \* 1/2017 Corless ..... D6/320  
2007/0029355 A1 \* 2/2007 Dente ..... A47B 61/003  
223/85  
2016/0120351 A1 \* 5/2016 Davis ..... A47G 25/746  
211/85.3

\* cited by examiner

*Primary Examiner* — Lauren Calve  
(74) *Attorney, Agent, or Firm* — Frank H. Foster;  
Kremblas & Foster

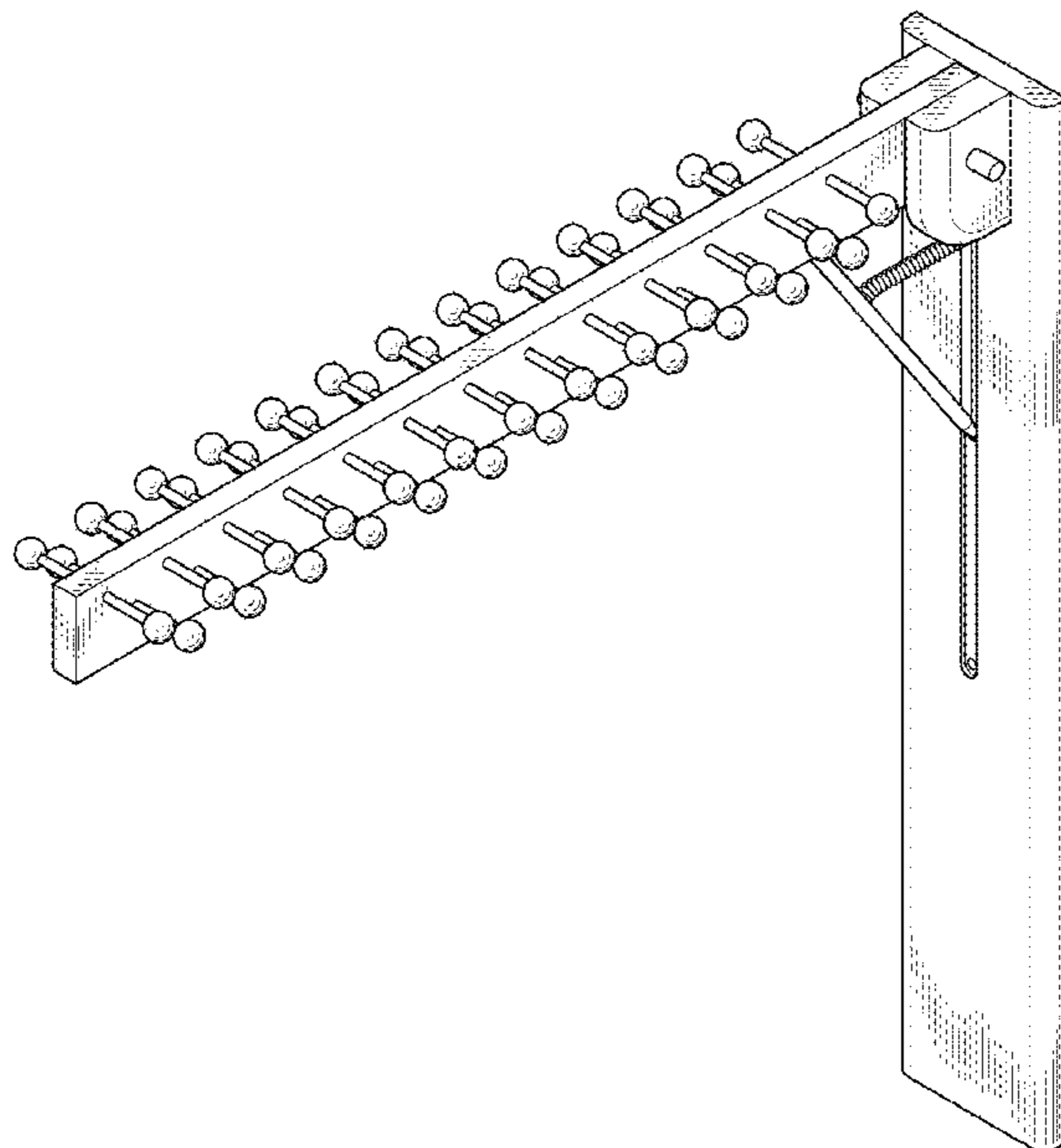
(57) **CLAIM**

The ornamental design for a collapsible tie rack, substantially as shown.

**DESCRIPTION**

FIG. 1 is a bottom front perspective view of a collapsible tie rack showing my new design;  
FIG. 2 is a bottom front perspective view thereof;  
FIG. 3 is a top front perspective view thereof shown in an alternate position;  
FIG. 4 is a front elevation view of FIG. 1;  
FIG. 5 is a rear elevation view of FIG. 1;  
FIG. 6 is a right side elevation view of FIG. 1;  
FIG. 7 is a left side elevation view of FIG. 1;  
FIG. 8 is a top plan view of FIG. 1; and,  
FIG. 9 is a bottom plan view of FIG. 1.  
The broken lines shown represent unclaimed subject matter and form no part of the claimed design.

**1 Claim, 5 Drawing Sheets**



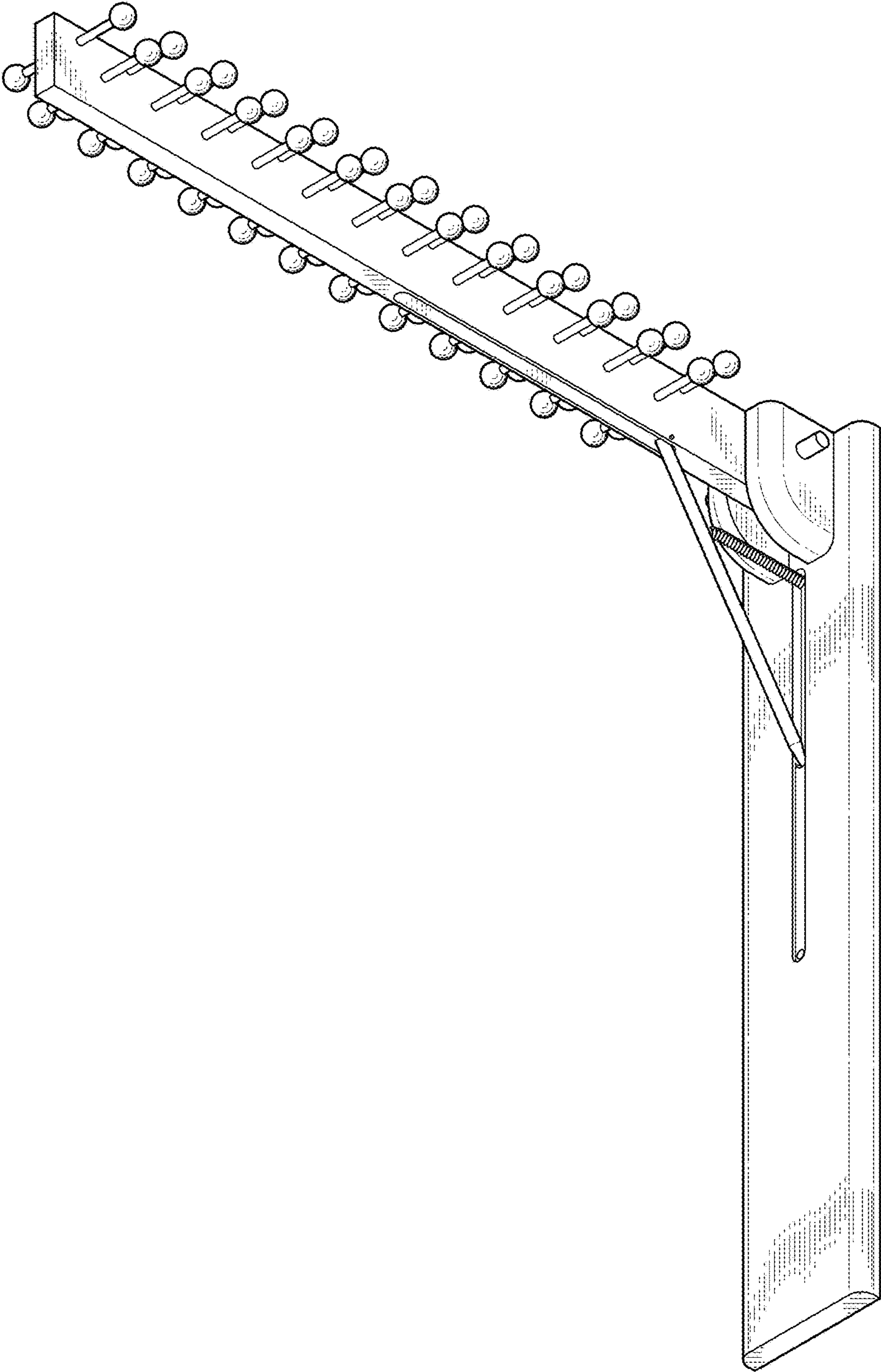


Fig. 1

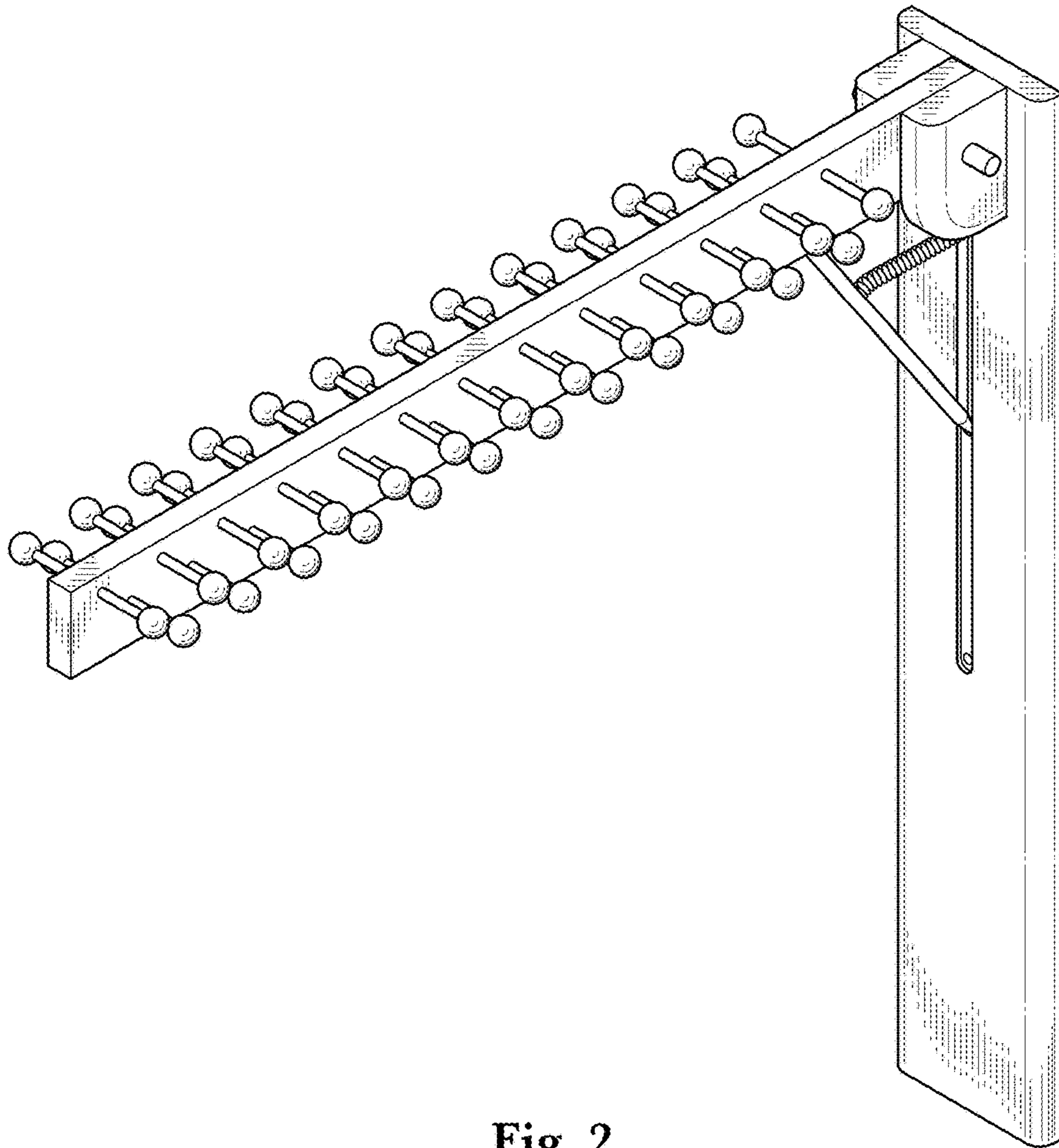


Fig. 2

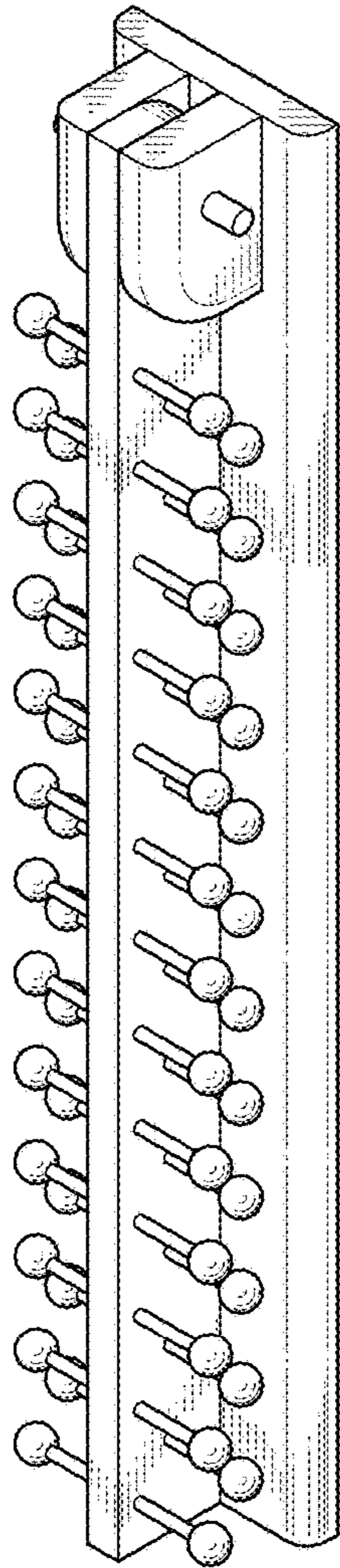


Fig. 3

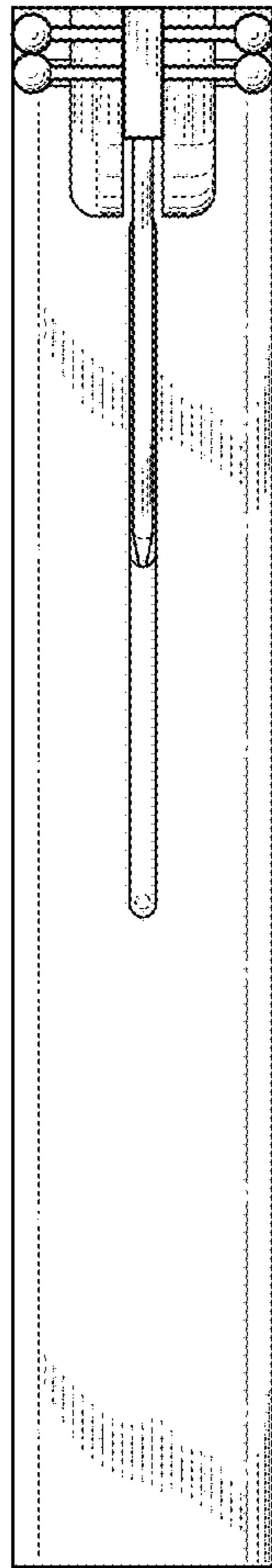


Fig. 4

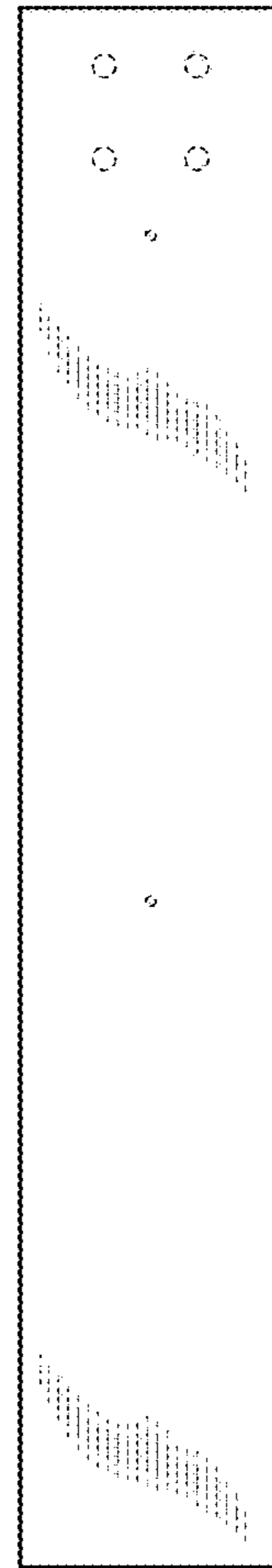


Fig. 5



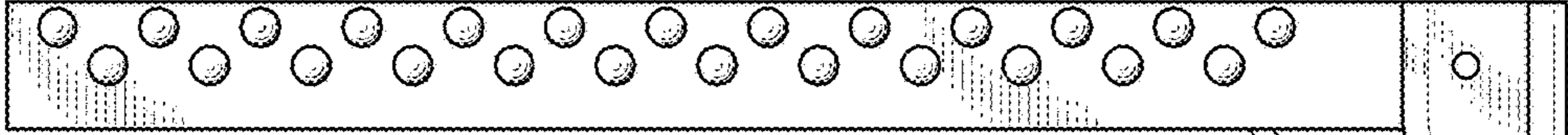


Fig. 6

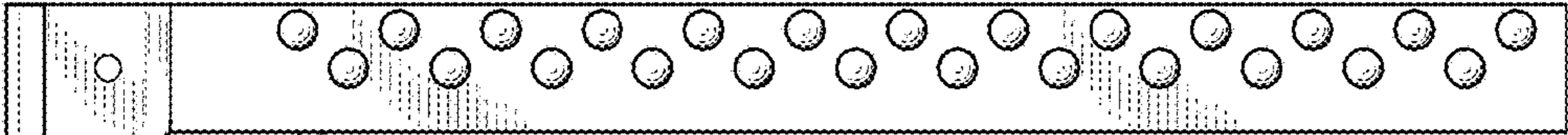


Fig. 7

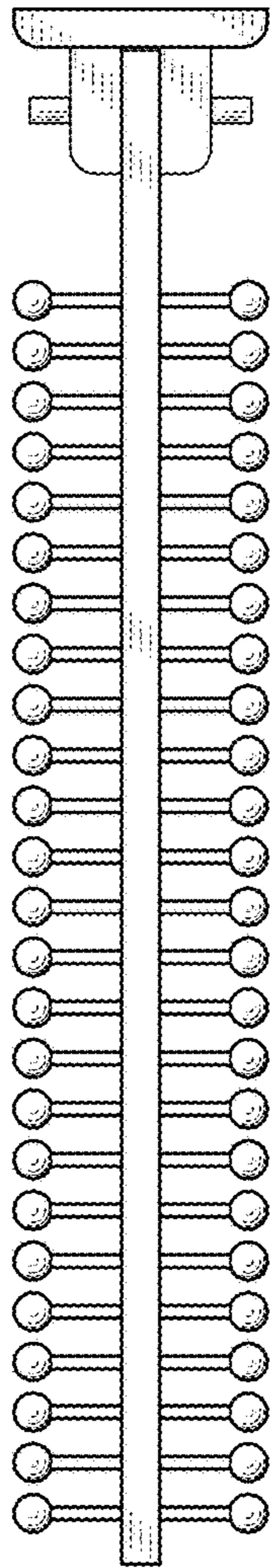


Fig. 8

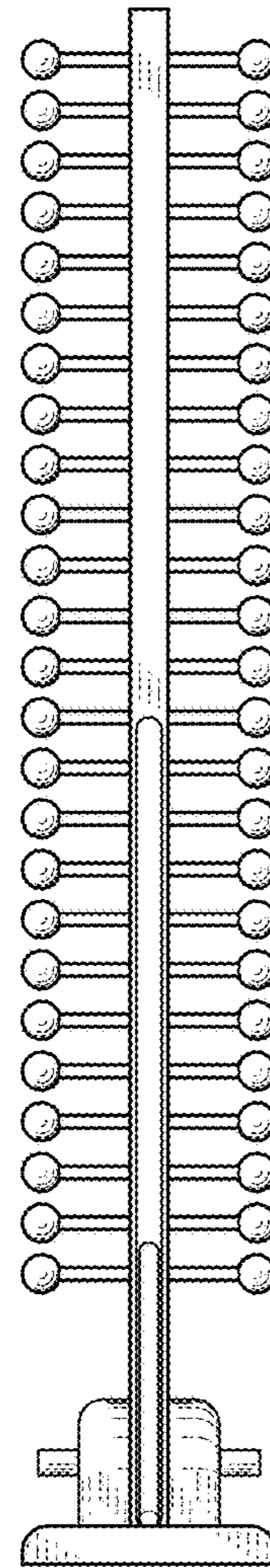


Fig. 9